

US00D833314S

(12) **United States Design Patent**
Duport

(10) **Patent No.:** **US D833,314 S**

(45) **Date of Patent:** **** Nov. 13, 2018**

- (54) **DIAL**
- (71) Applicant: **RADO WATCH CO. LTD.**, Lengnau (CH)
- (72) Inventor: **Fabrice Duport**, Neuchatel (CH)
- (73) Assignee: **Rado Watch Co., Ltd.**, Lengnau (CH)
- (**) Term: **15 Years**

D539,688 S *	4/2007	Bolt	D10/126
D552,490 S *	10/2007	Laucella	D10/31
D554,535 S *	11/2007	Journe	D10/31
D559,128 S *	1/2008	Laucella	D10/39
D620,826 S *	8/2010	Duport	D10/126
D620,827 S *	8/2010	Cerrato	D10/126
D768,017 S *	10/2016	Calvani	D10/126
D768,524 S *	10/2016	Calvani	D10/126
D768,525 S *	10/2016	Calvani	D10/126
D806,598 S *	1/2018	Valzan	D10/126
D808,840 S *	1/2018	Valzan	D10/126
D808,841 S *	1/2018	Valzan	D10/126

(21) Appl. No.: **29/610,271**

FOREIGN PATENT DOCUMENTS

(22) Filed: **Jul. 11, 2017**

CN	304508895	*	2/2018
JP	D1599049	*	3/2018
TR	094462-0002	*	8/2017
WO	WO-D094462-002	*	7/2017

(30) **Foreign Application Priority Data**

* cited by examiner

Jan. 11, 2017 (WO) DM/094 462

(51) **LOC (11) Cl.** **10-07**

(52) **U.S. Cl.**
USPC **D10/126**

(58) **Field of Classification Search**
USPC D10/1-39, 65, 70, 122-132; D14/344,
D14/138 R

CPC ... G04F 1/00; G04F 1/06; G04F 1/063; G04F
7/06; G04F 7/0861; G04F 7/0871; G04F
7/08; G04F 7/0804; G04F 7/0842; G04F
7/0876; G04F 19/00; G04F 19/02; G04F
19/04; G04F 19/06; G04F 19/08; G04F
19/26; G04F 19/24; G04F 39/00; G04F
39/002; G04F 39/004; G04F 39/006;
A01G 25/165; B05B 12/02

See application file for complete search history.

Primary Examiner — Eric L Goodman

Assistant Examiner — Aula Soroush

(74) *Attorney, Agent, or Firm* — Blank Rome LLP

(56) **References Cited**

(57) **CLAIM**

The ornamental design for a dial, as shown.

U.S. PATENT DOCUMENTS

DESCRIPTION

FIG. 1 is a front right perspective view of a dial showing my new design;

FIG. 2 is a front view thereof;

FIG. 3 is a rear view thereof;

FIG. 4 is a left side view thereof;

FIG. 5 is a right side view thereof;

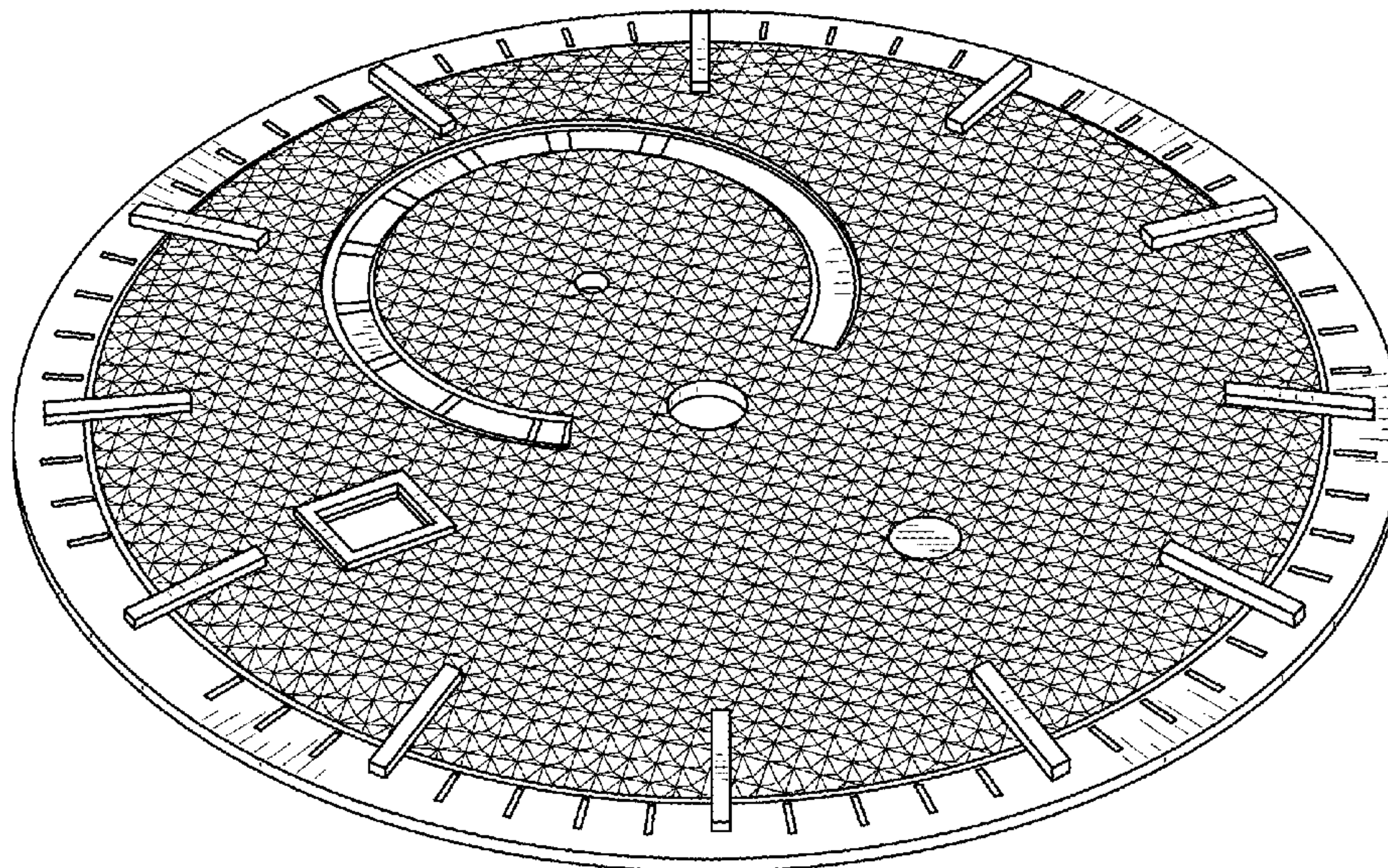
FIG. 6 is a top view thereof;

FIG. 7 is a bottom view thereof; and,

FIG. 8 is a rear left perspective view thereof.

D526,923 S *	8/2006	Okaya	D10/126
D527,297 S *	8/2006	Calvani	D10/126

1 Claim, 5 Drawing Sheets



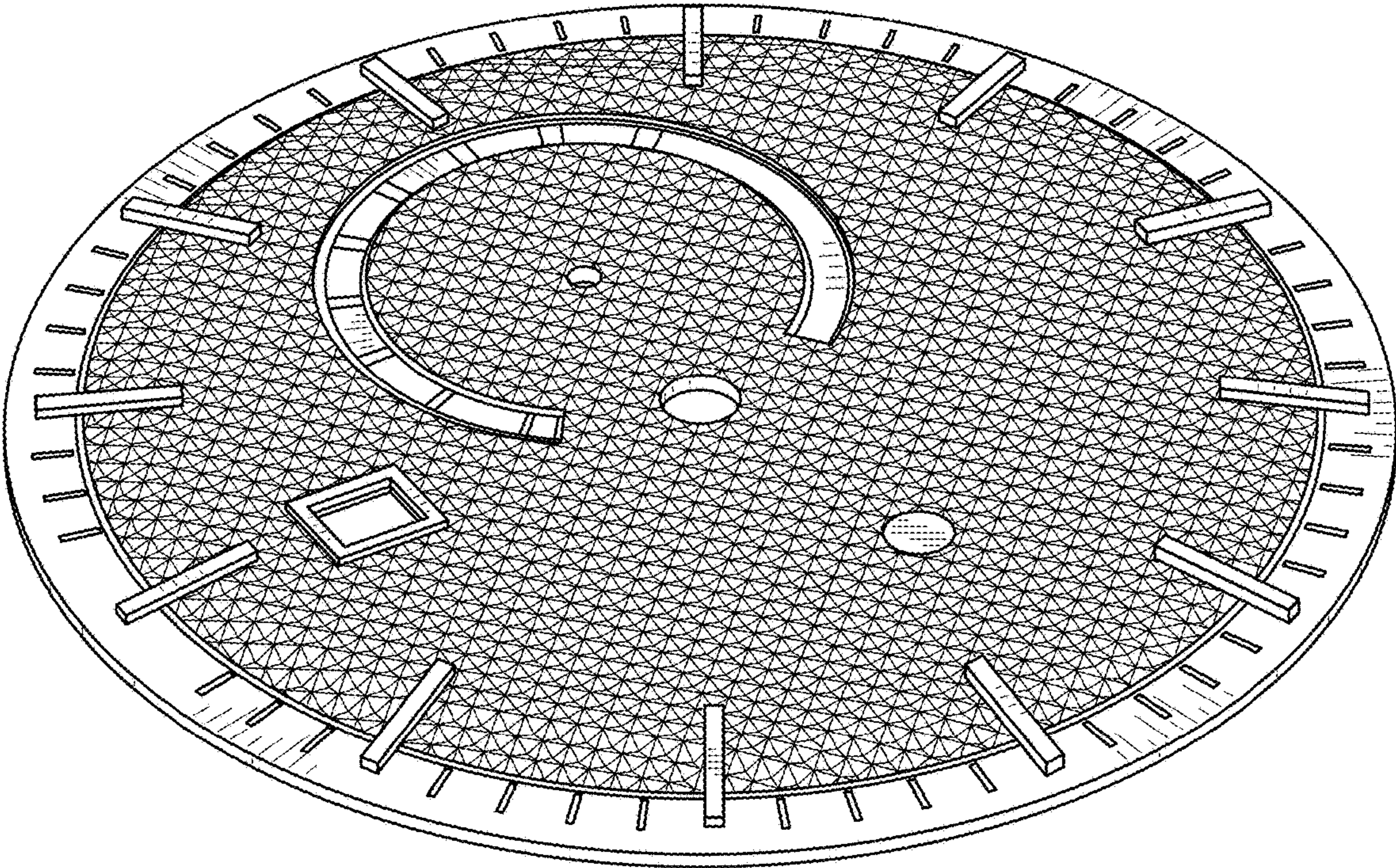


FIG. 1

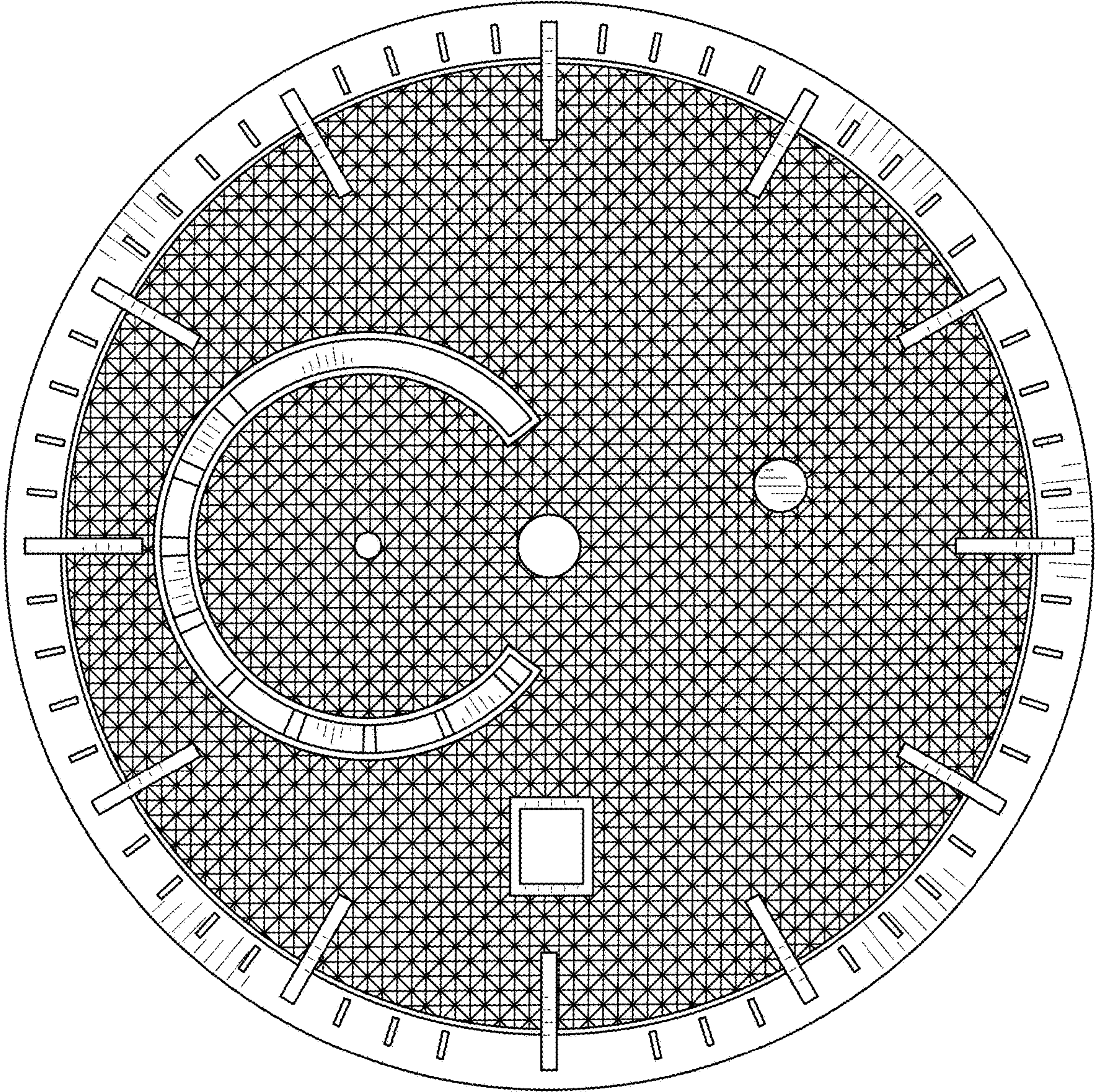


FIG. 2

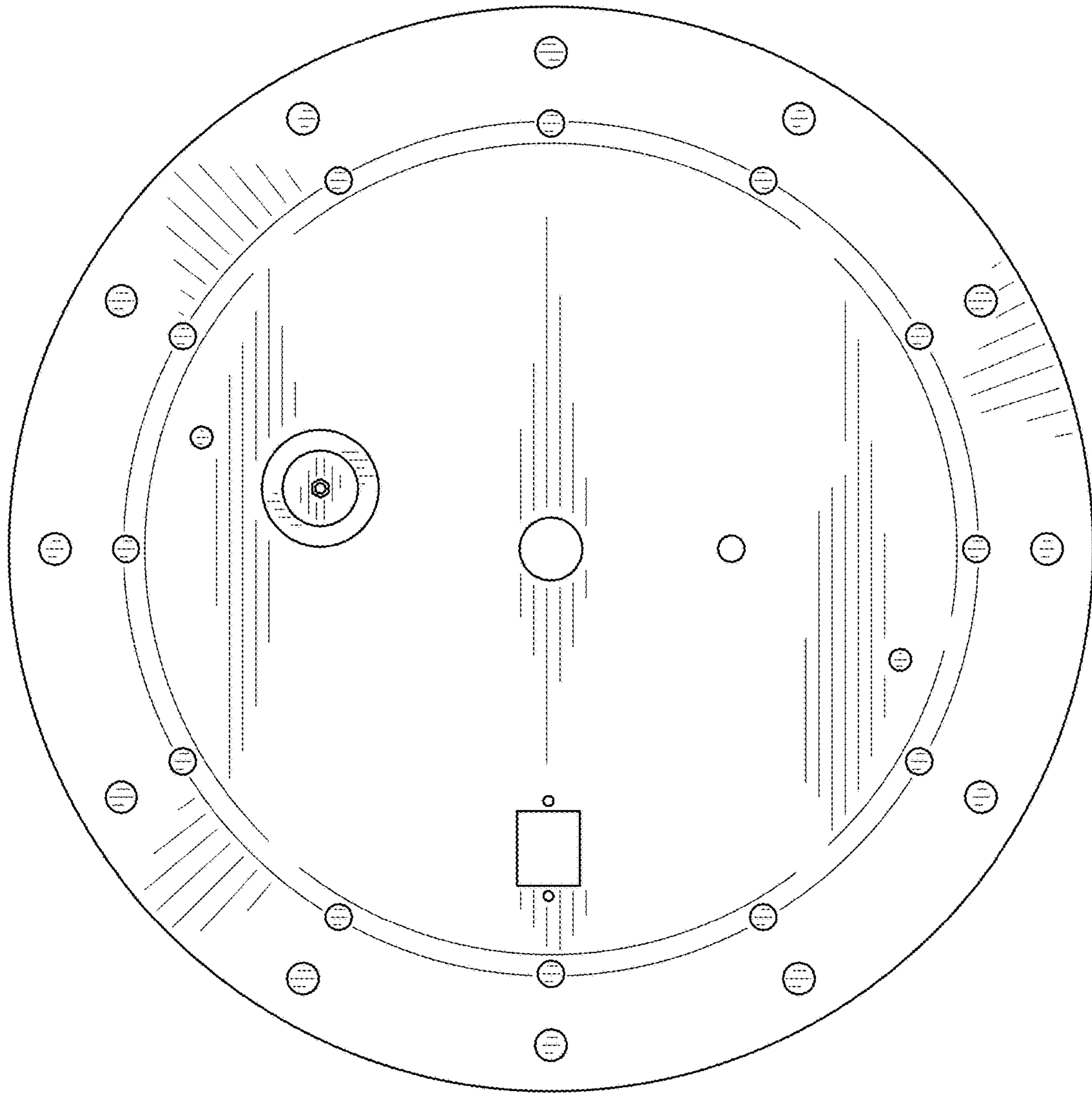


FIG. 3

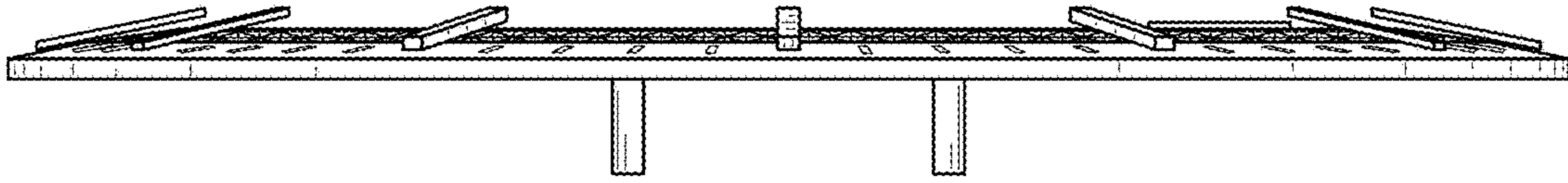


FIG. 4

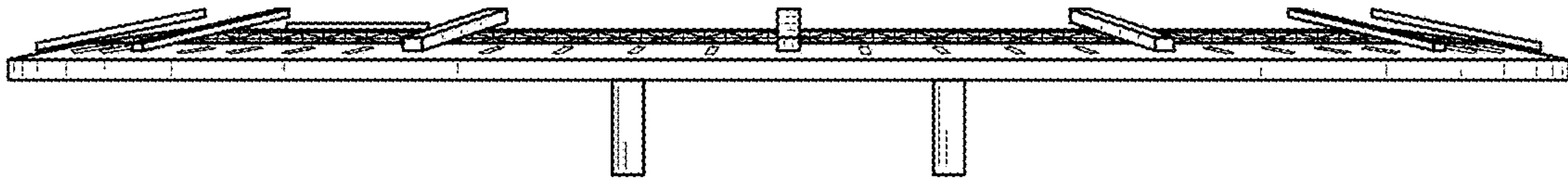


FIG. 5

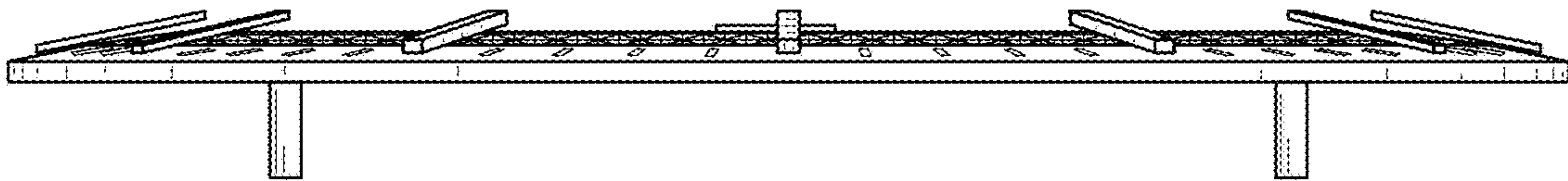


FIG. 6

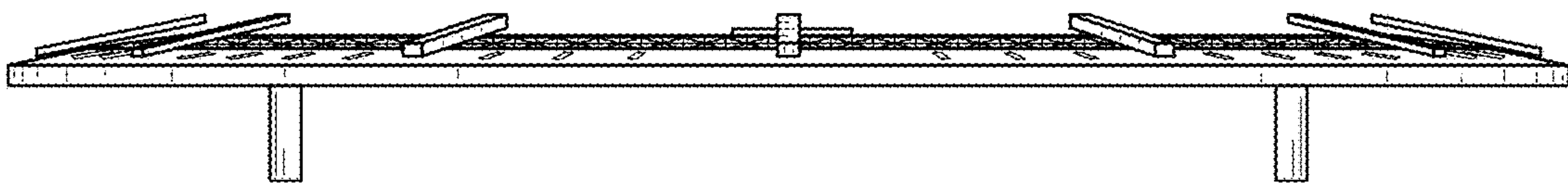


FIG. 7

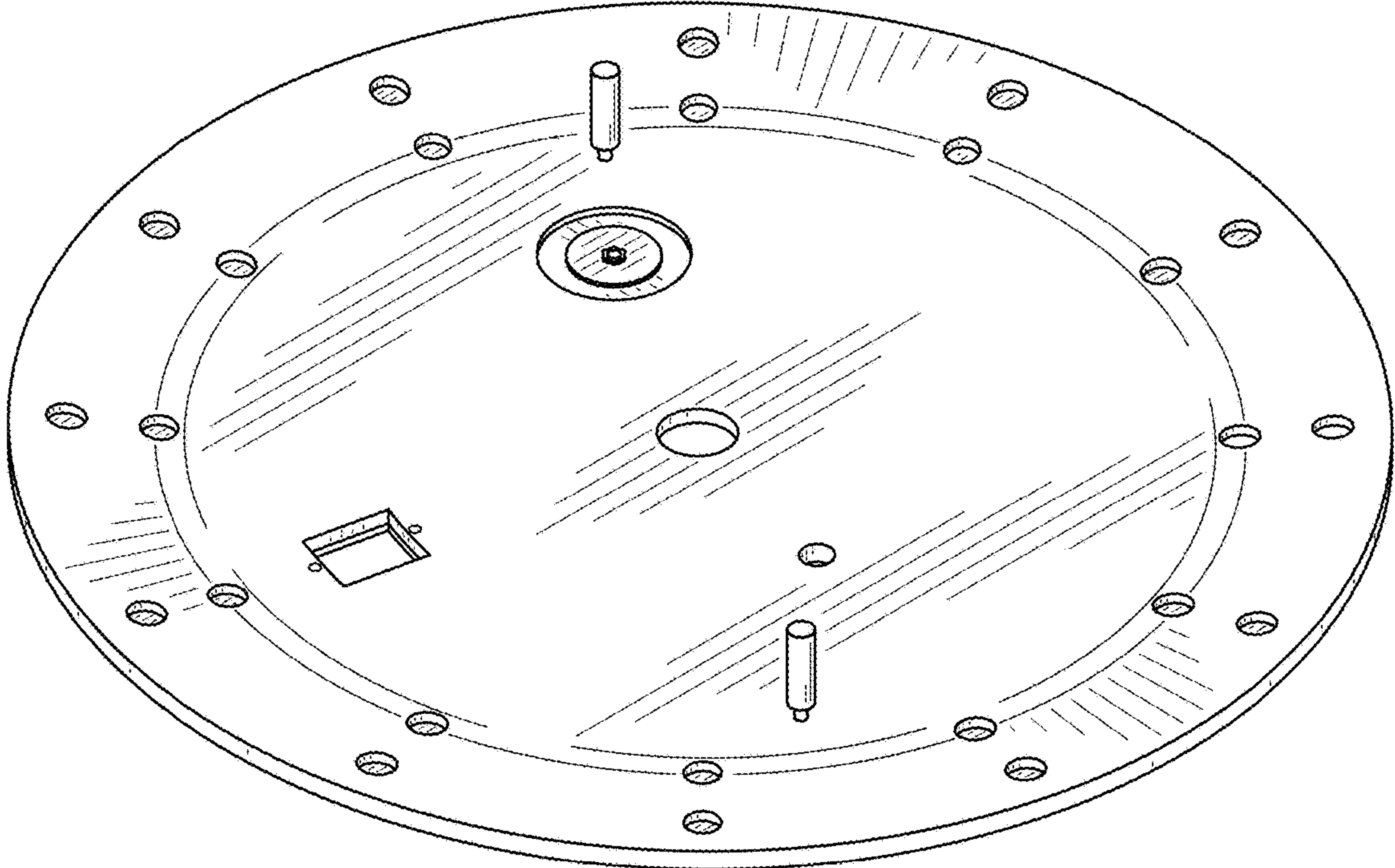


FIG. 8