

US00D833312S

(12) **United States Design Patent** (10) **Patent No.:** **US D833,312 S**
Alonso (45) **Date of Patent:** **** Nov. 13, 2018**

(54) **EMERGENCY ALERT LIGHT**
(71) Applicant: **Epifanio Alonso**, Buffalo, NY (US)
(72) Inventor: **Epifanio Alonso**, Buffalo, NY (US)
(**) Term: **15 Years**
(21) Appl. No.: **29/594,027**
(22) Filed: **Feb. 15, 2017**
(51) **LOC (11) Cl.** **10-05**
(52) **U.S. Cl.**
USPC **D10/114.1**
(58) **Field of Classification Search**
USPC D10/46, 75, 78-80, 103, 106.1-106.95,
D10/114.1, 114.4, 118, 118.2, 119.1, 120,
D10/121, 125, 126, 132; D26/28, 29, 35,
D26/60
CPC G08B 17/06; G08B 17/10; G08B 17/103;
G08B 17/107; G08B 21/12; G08B 21/22;
G08B 15/00; H04N 7/186; B60Q 1/0005;
B60Q 1/0029; B60Q 1/0035; B60Q
1/0041; B60Q 1/02; B60Q 1/04; B60Q
1/0416; B60Q 1/0433; B60Q 1/0441;
B60Q 1/045; H04R 1/00; H04R 1/02;
H04R 1/08; H04R 1/083; H04R 1/086;
G10K 7/00; G10K 7/005; G10K 7/02;
G10K 7/04
See application file for complete search history.

6,850,169 B2 2/2005 Manavi et al.
6,980,125 B1 12/2005 Barber
7,317,406 B2 1/2008 Wolterman
D592,088 S * 5/2009 Miller D10/114.8
D616,780 S * 6/2010 Smith D10/114.8
D623,633 S * 9/2010 Bliss D14/233
7,884,738 B2 2/2011 Pappas et al.
D709,782 S * 7/2014 Stuffle B64D 47/06
D10/114.1
9,409,512 B2 * 8/2016 Stein B60Q 1/2611
2003/0098801 A1 5/2003 Martin
2005/0110649 A1 * 5/2005 Fredericks B64D 47/06
340/815.45

FOREIGN PATENT DOCUMENTS

WO WO2008049095 4/2008

* cited by examiner

Primary Examiner — George D. Kirschbaum

Assistant Examiner — Joseph J Kukella

(57) **CLAIM**

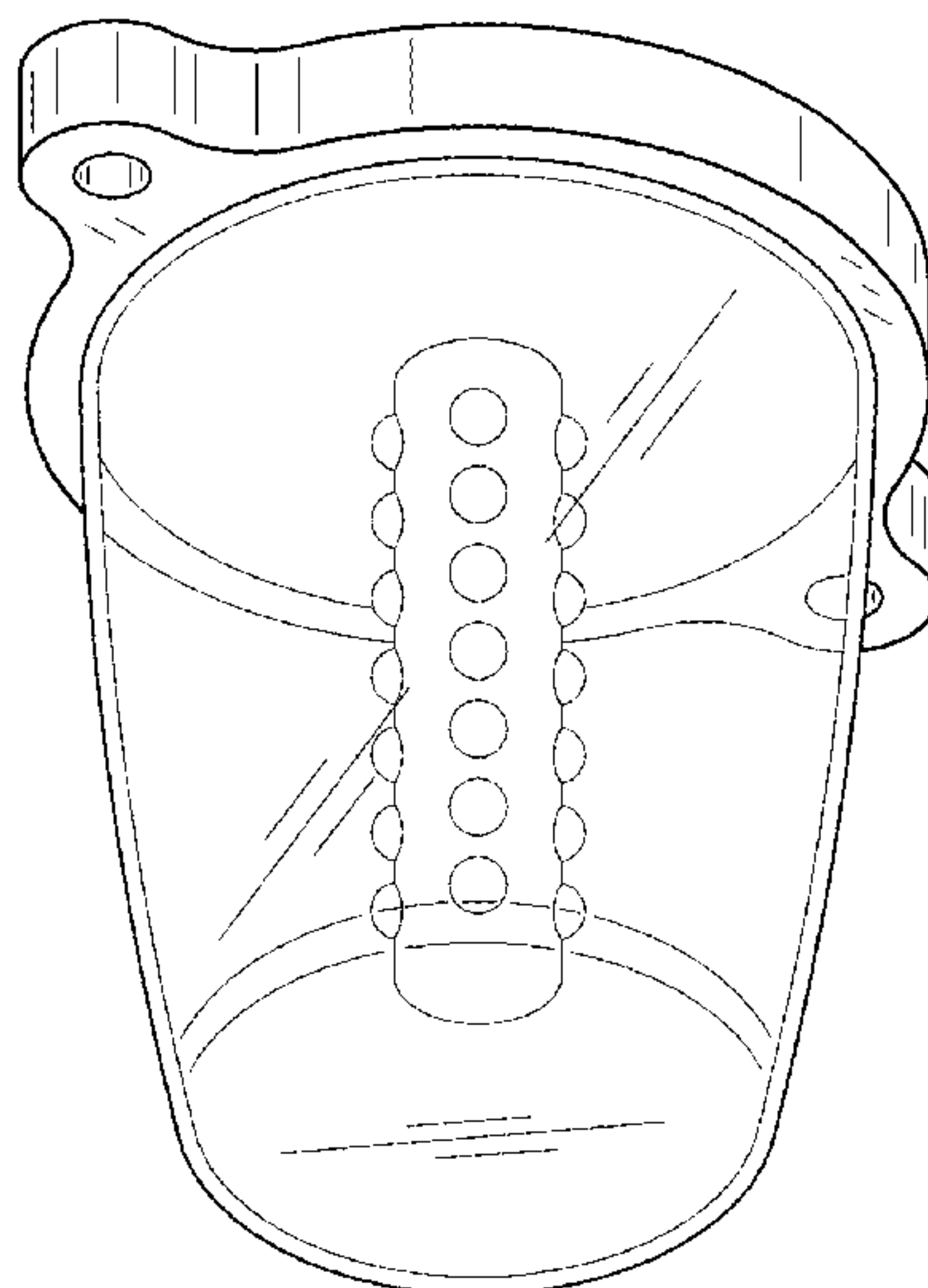
The ornamental design for a emergency alert light, as shown and described.

DESCRIPTION

FIG. 1 is a front view of an emergency alert light showing my new design, a rear view being identical;
FIG. 2 is a left side view of the emergency alert light, a right side view being a mirror image thereof;
FIG. 3 is a top view of the emergency alert light;
FIG. 4 is a bottom view of the emergency alert light;
FIG. 5 is a bottom front side perspective view of the emergency alert light; and,
FIG. 6 is a front view of the emergency alert light in use.
In the drawings, the broken lines depict environmental subject matter only and form no part of the claimed design.

1 Claim, 4 Drawing Sheets

(56) **References Cited**
U.S. PATENT DOCUMENTS
D220,662 S * 5/1971 Buhner D10/106.5
D245,447 S * 8/1977 Brudy D10/114.1
D261,048 S * 9/1981 Price D26/24
D266,061 S * 9/1982 Wenzlaff D10/114.2
D287,948 S 1/1987 Evans
6,072,406 A 6/2000 Leonard et al.



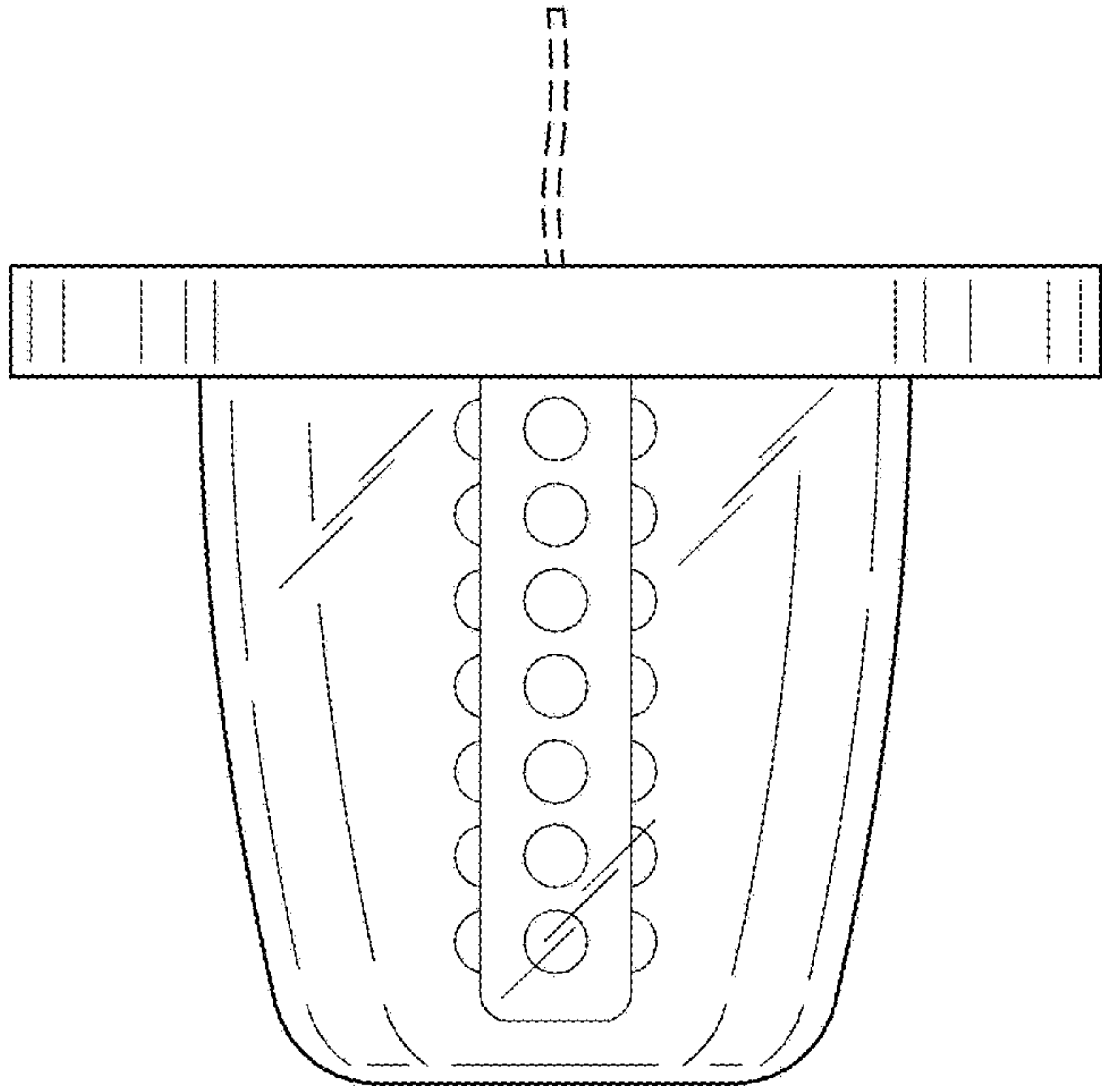


FIG. 1

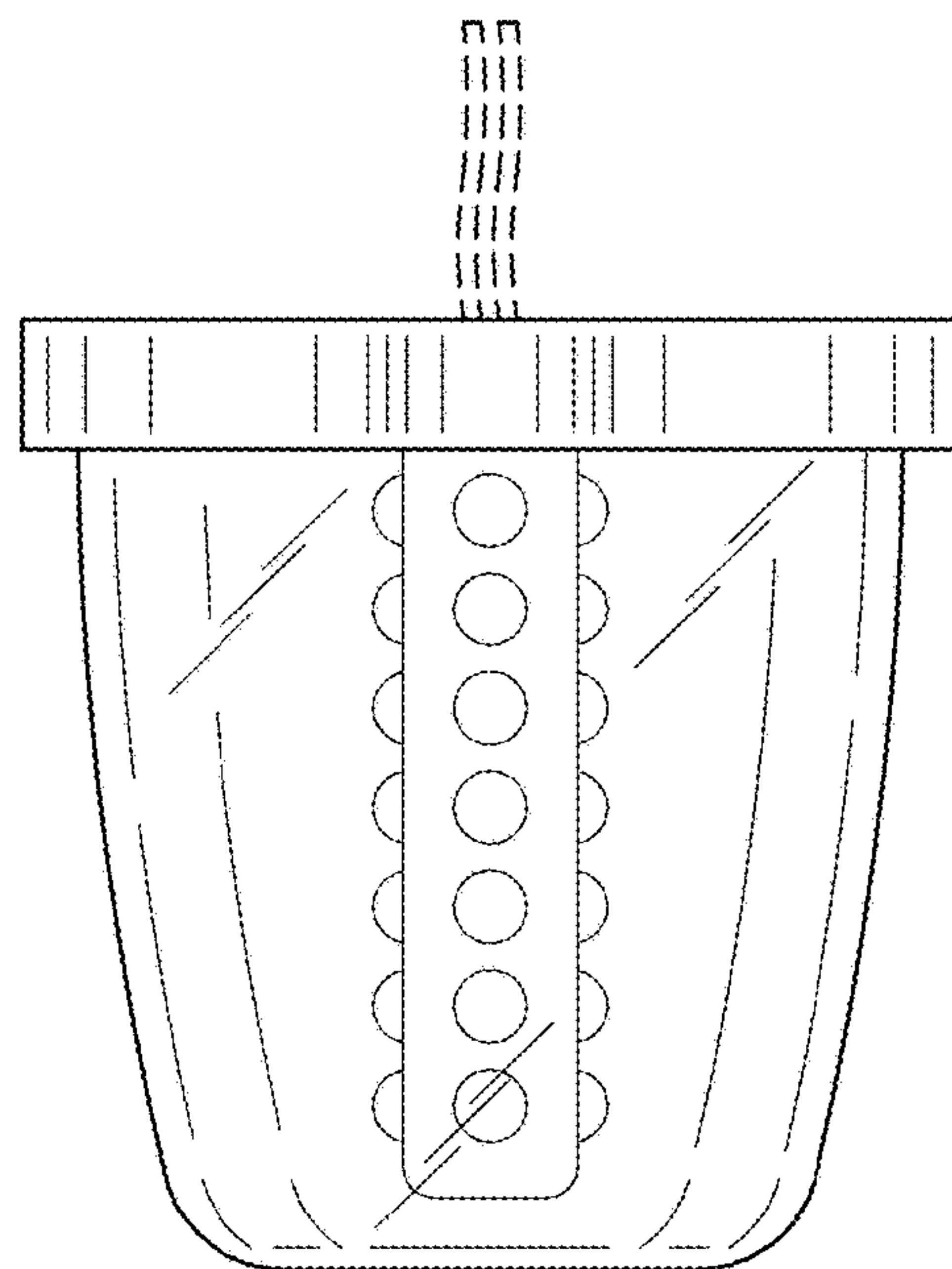


FIG. 2

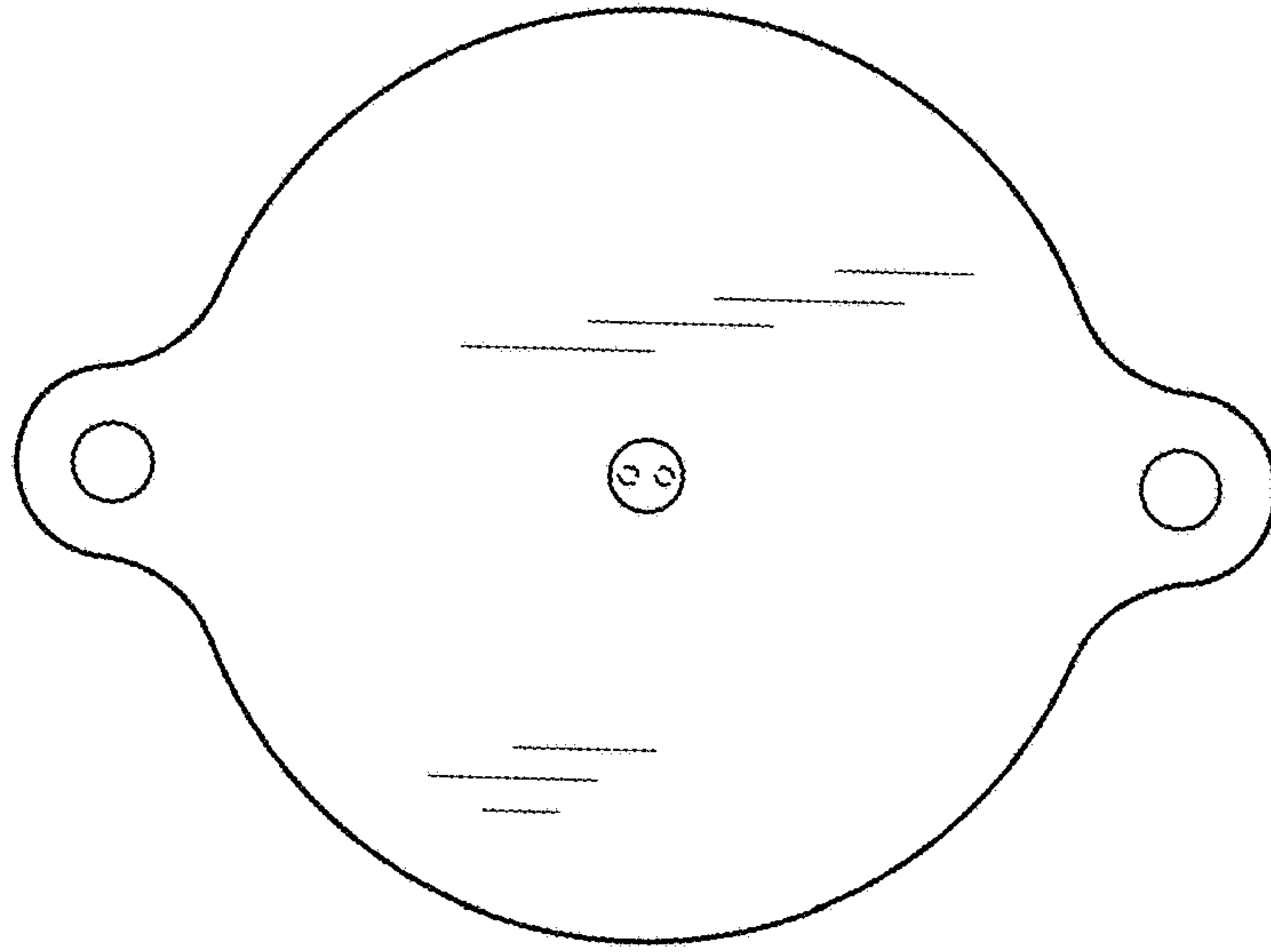


FIG. 3

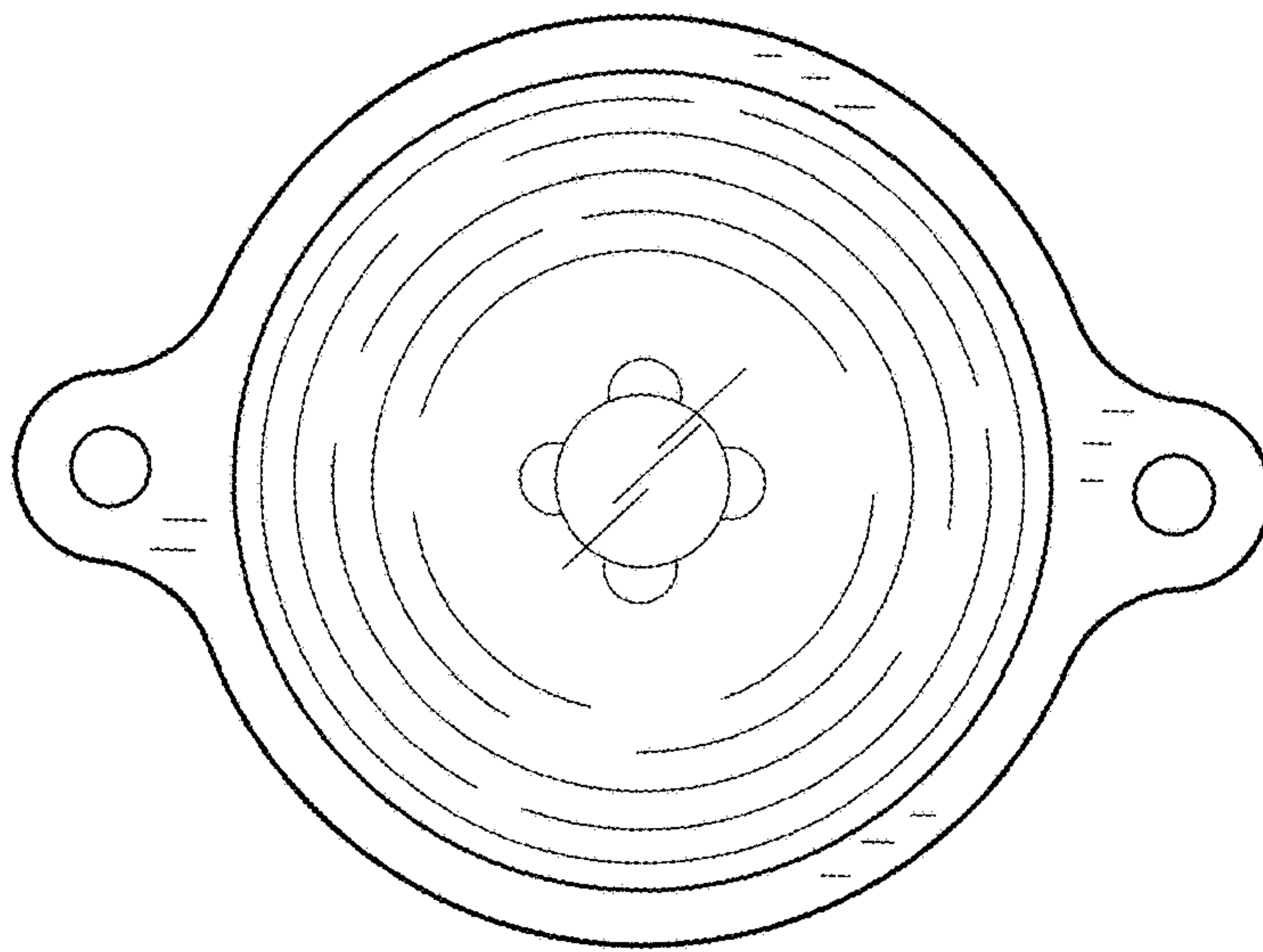


FIG. 4

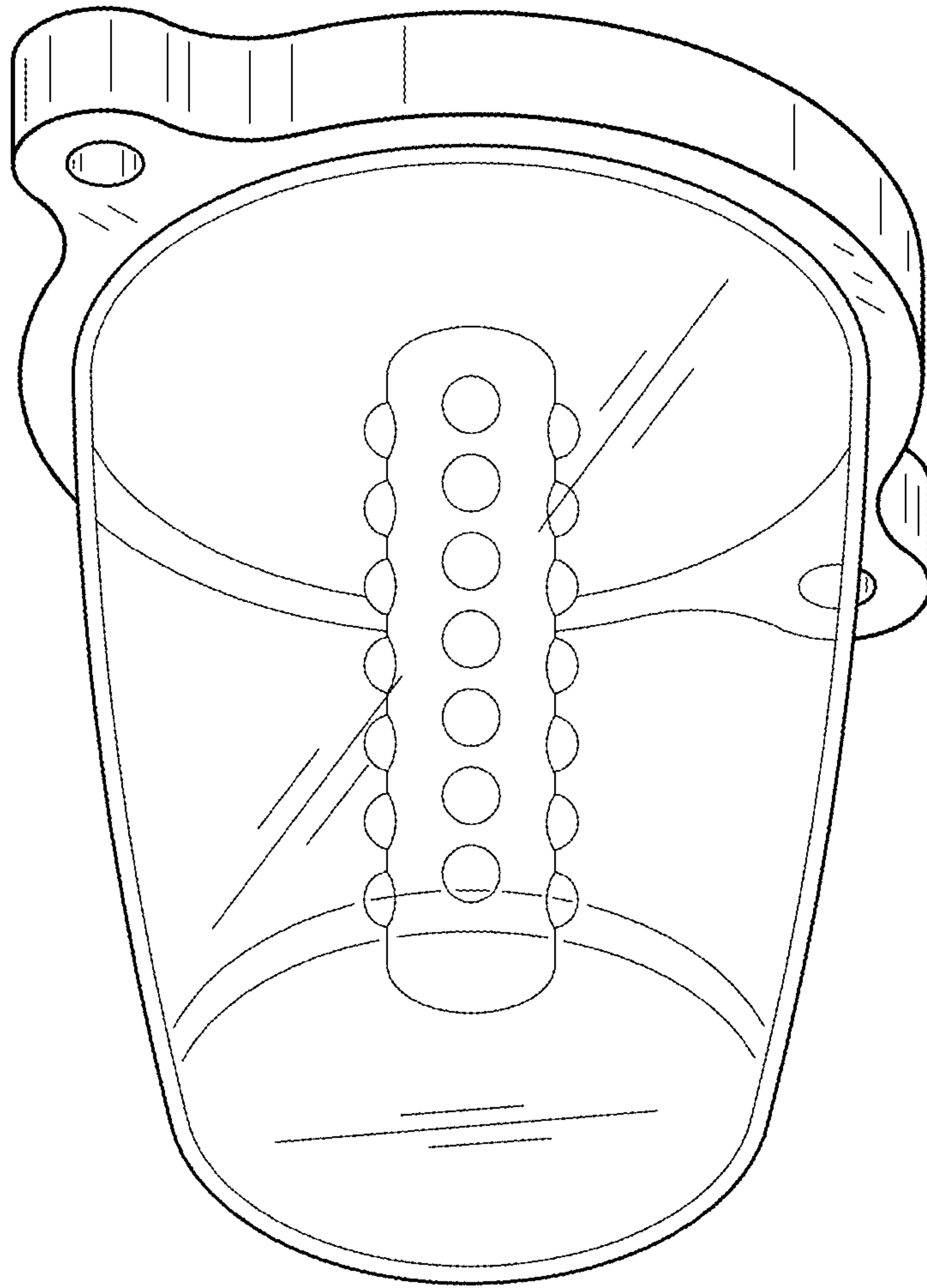


FIG. 5

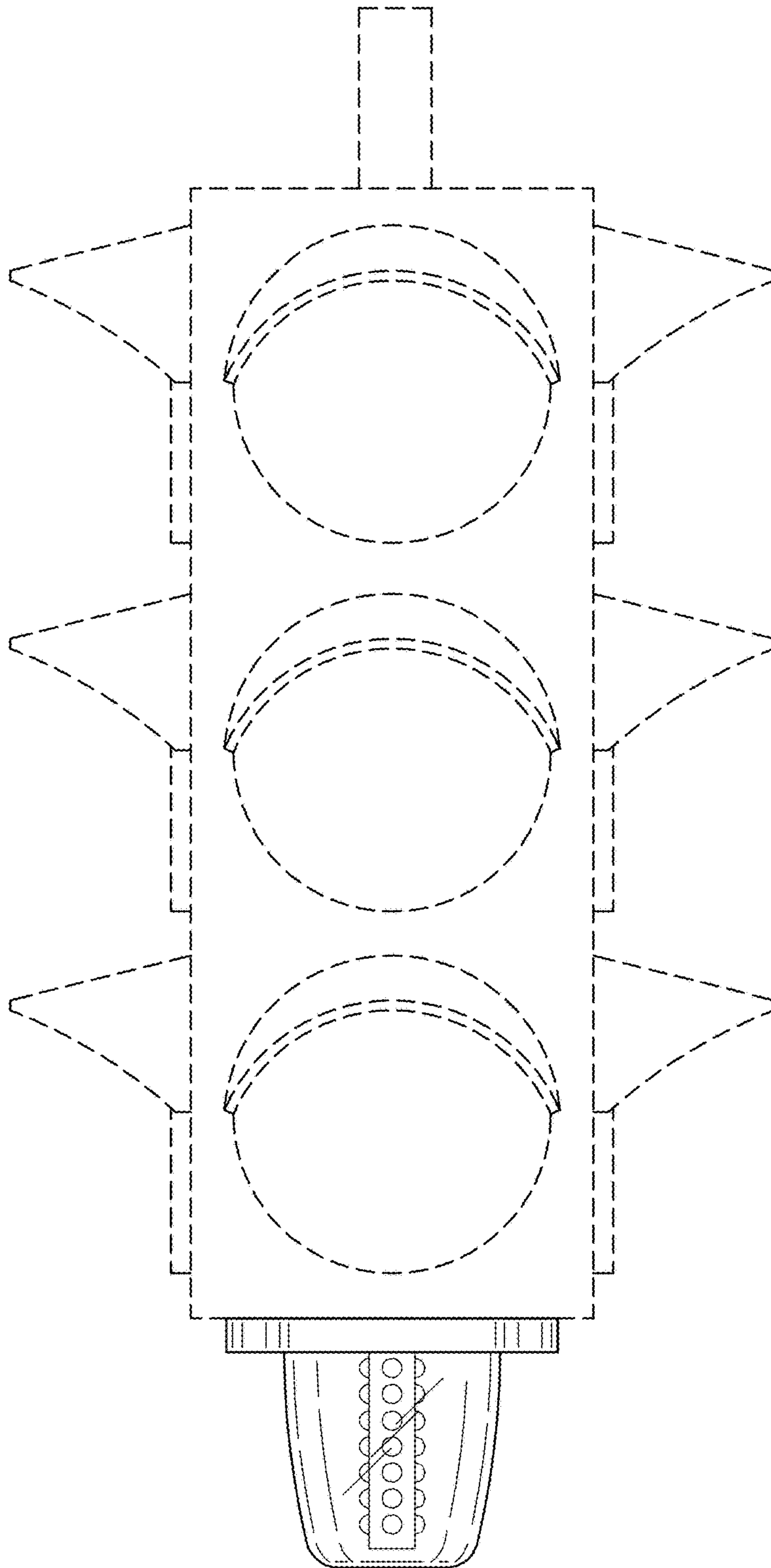


FIG. 6