

US00D833310S

(12) **United States Design Patent**  
**Lease et al.**

(10) **Patent No.:** **US D833,310 S**

(45) **Date of Patent:** **\*\* Nov. 13, 2018**

(54) **LENS COVER FOR LIQUID LEVEL GAUGE**

6,564,632 B2 5/2003 Ross, Jr.  
6,679,116 B2 1/2004 Ross, Jr.  
7,690,323 B2 4/2010 Ross, Jr.  
8,604,934 B2 12/2013 Ross, Jr.

(71) Applicant: **Texas LFP, LLC**, Dallas, TX (US)

(72) Inventors: **Benjamin Neal Lease**, Flower Mound, TX (US); **Herbert G. Ross, Jr.**, Argyle, TX (US); **Robert E. Hrncir**, Irving, TX (US)

\* cited by examiner

*Primary Examiner* — Antoine Duval Davis

(74) *Attorney, Agent, or Firm* — Alvin R. Wirthlin

(73) Assignee: **Rochester Gauges, Inc.**, Dallas, TX (US)

(\*\*) Term: **15 Years**

(21) Appl. No.: **29/633,037**

(22) Filed: **Jan. 11, 2018**

(51) **LOC (11) Cl.** ..... **10-04**

(52) **U.S. Cl.**  
USPC ..... **D10/101**

(58) **Field of Classification Search**  
USPC ..... D10/101, 103  
CPC ..... G01F 23/32; G01F 23/34; G01F 23/366;  
G01F 23/38; G01F 23/54; G01F 23/292;  
G01F 23/2921; G01F 23/2922; G01F  
23/2924; G01F 23/2925; G01F 23/2927;  
G01F 23/2928

See application file for complete search history.

(56) **References Cited**

**U.S. PATENT DOCUMENTS**

D283,988 S \* 5/1986 Krehel ..... D10/101  
5,305,639 A 4/1994 Pontefract

(57) **CLAIM**

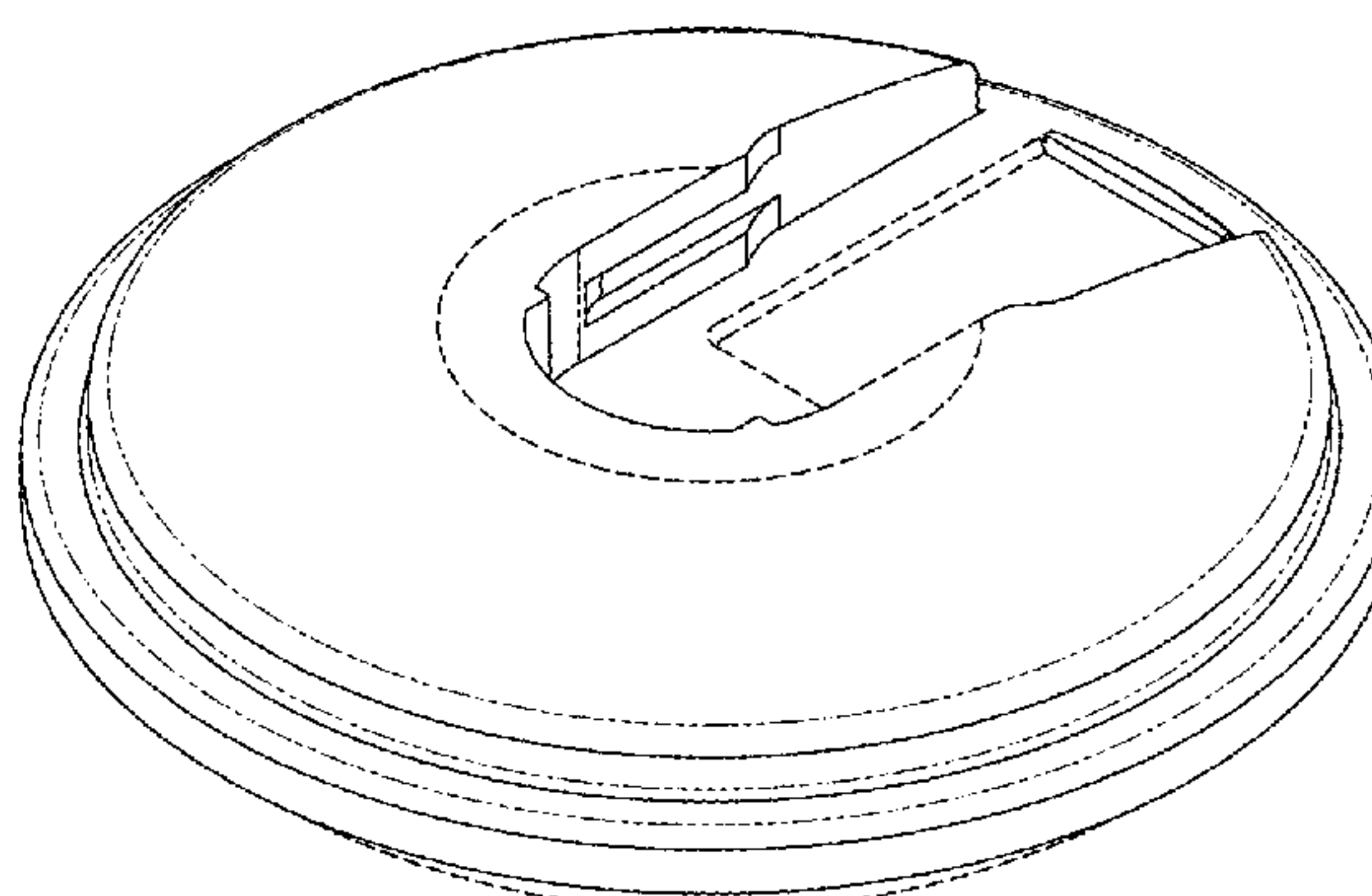
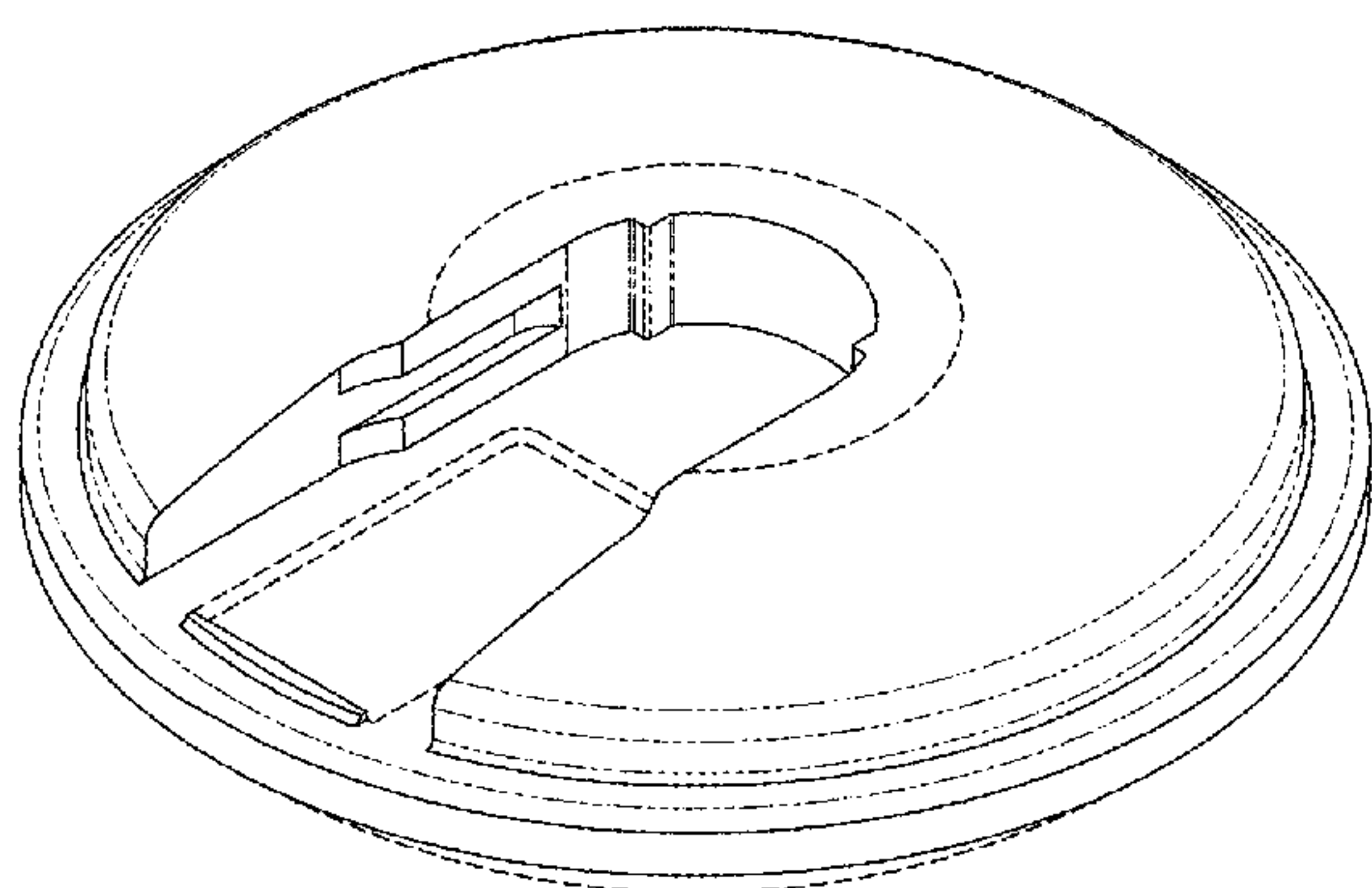
The ornamental design for a lens cover for a liquid level gauge, as shown and described.

**DESCRIPTION**

FIG. 1 is a front isometric view of a lens cover for a liquid level gauge showing our new design; FIG. 2 is a rear isometric view thereof; FIG. 3 is a front elevational view thereof; FIG. 4 is a rear elevational view thereof; FIG. 5 is a right side elevational view thereof; FIG. 6 is a left side elevational view thereof; and, FIG. 7 is a top plan view thereof.

The phantom lines illustrate contours of the related surfaces. The broken lines with equal line segments show environmental portions of the lens cover which form no part of the claimed design.

**1 Claim, 4 Drawing Sheets**



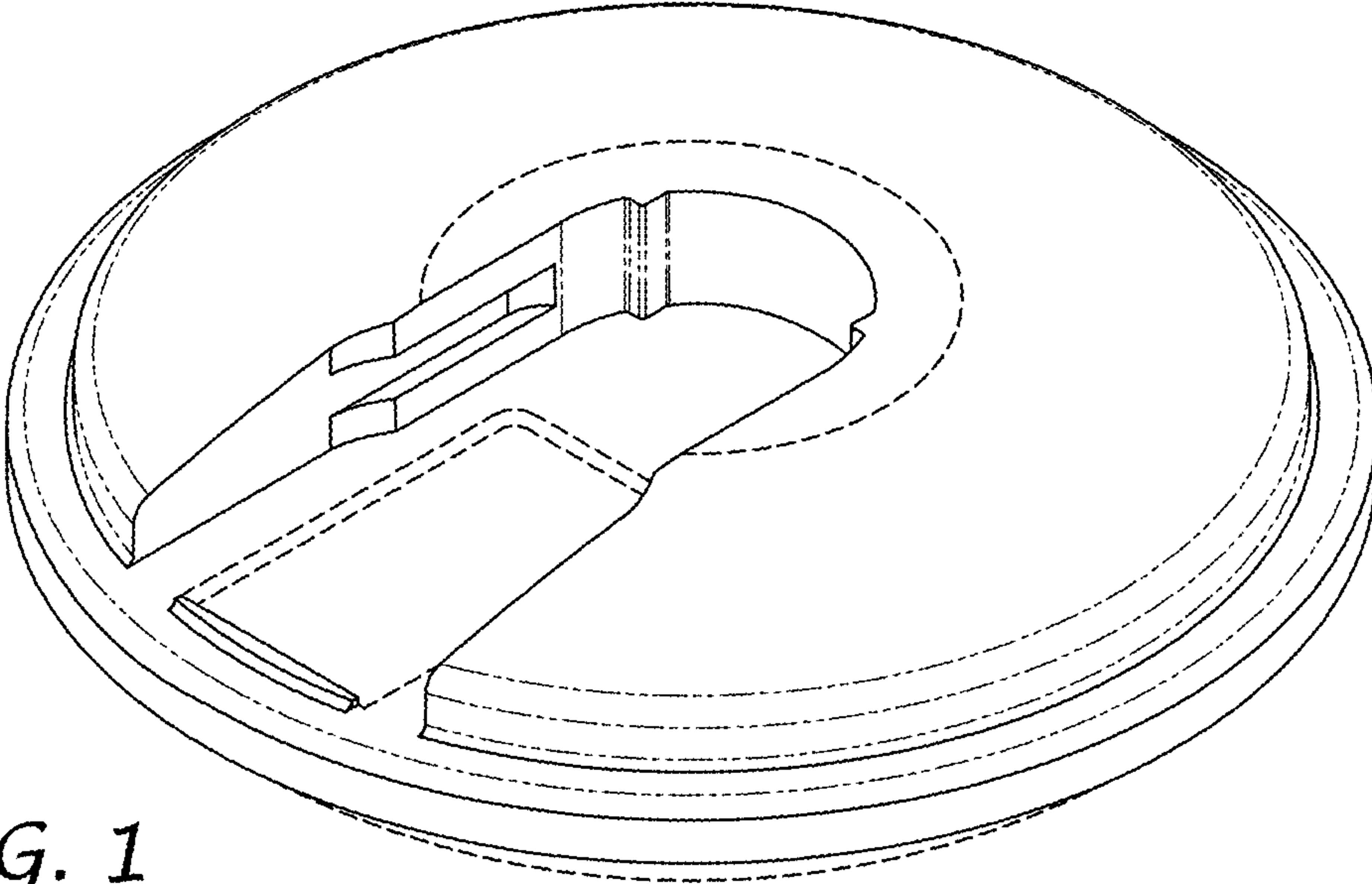


FIG. 1

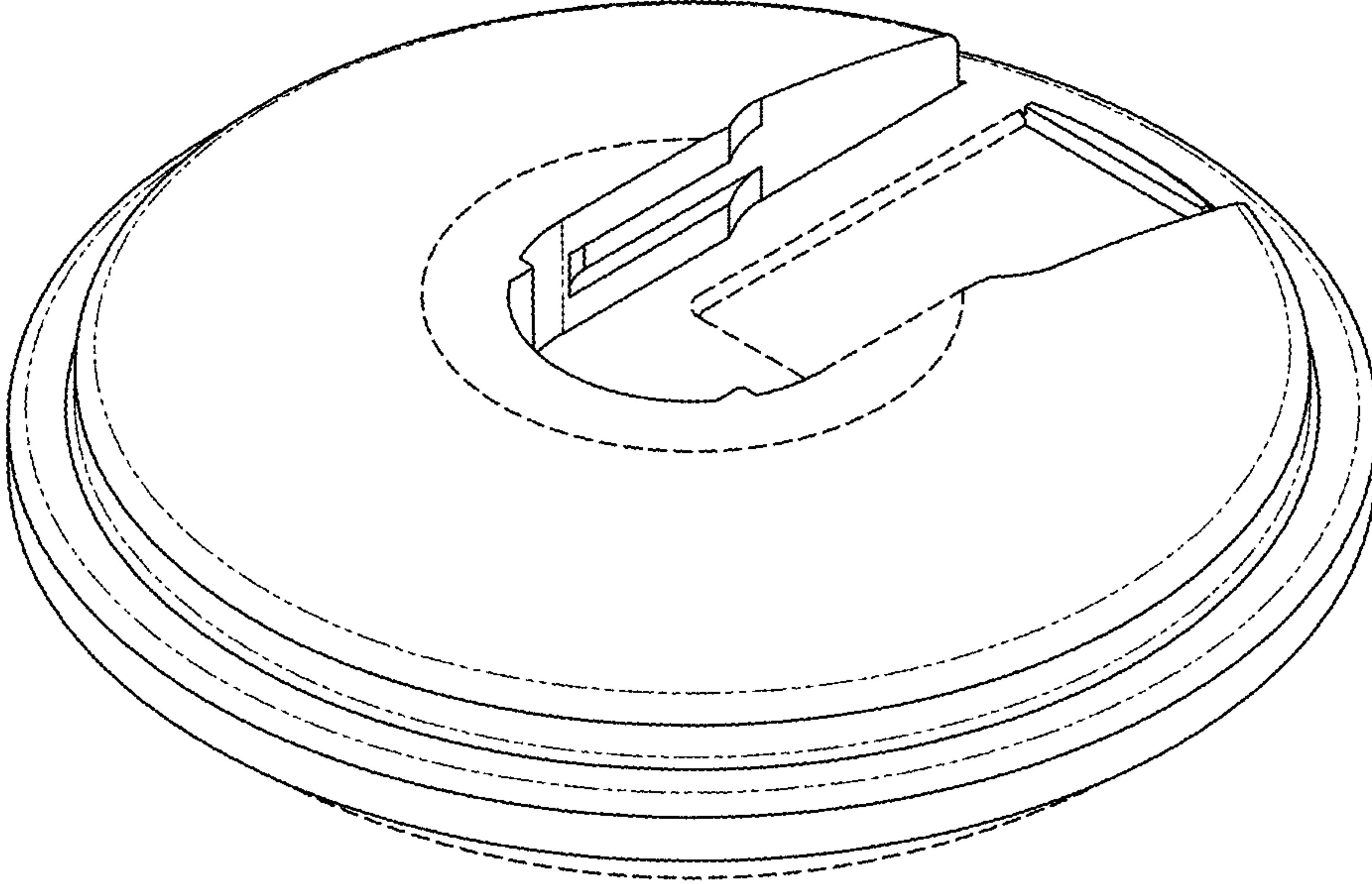


FIG. 2

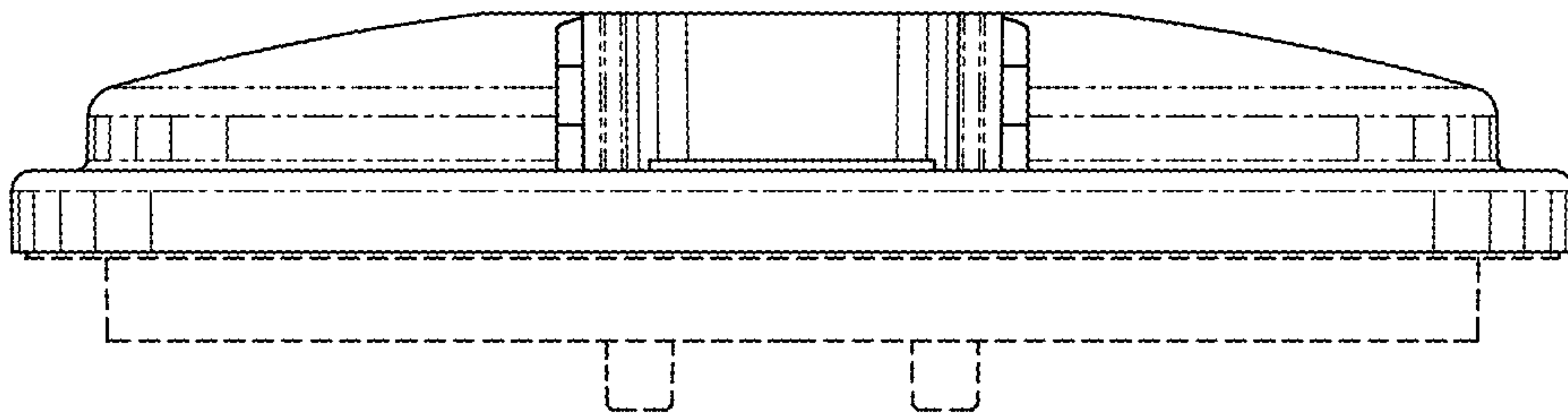


FIG. 3

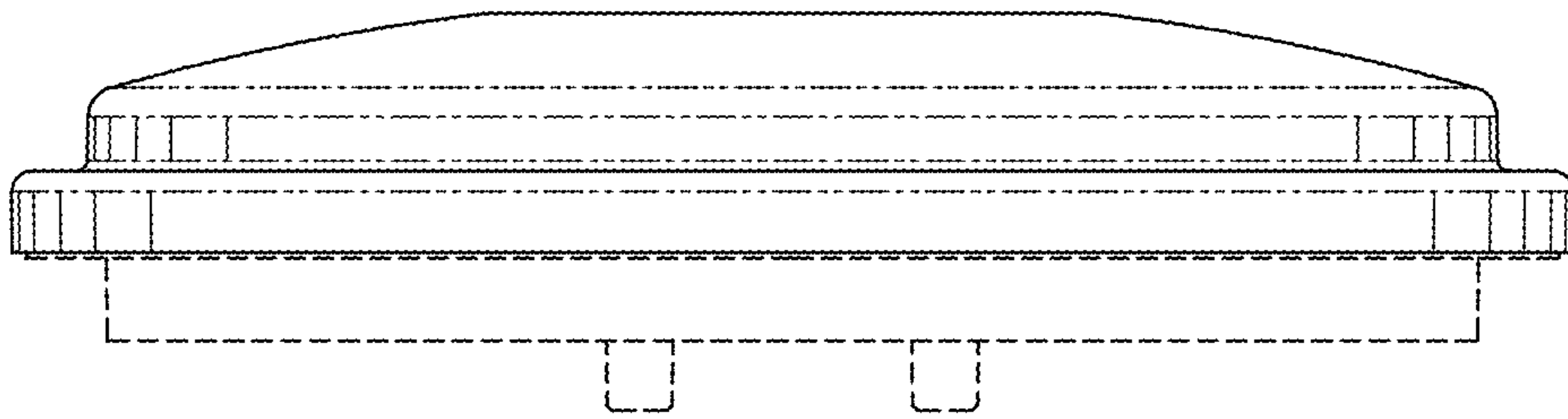


FIG. 4

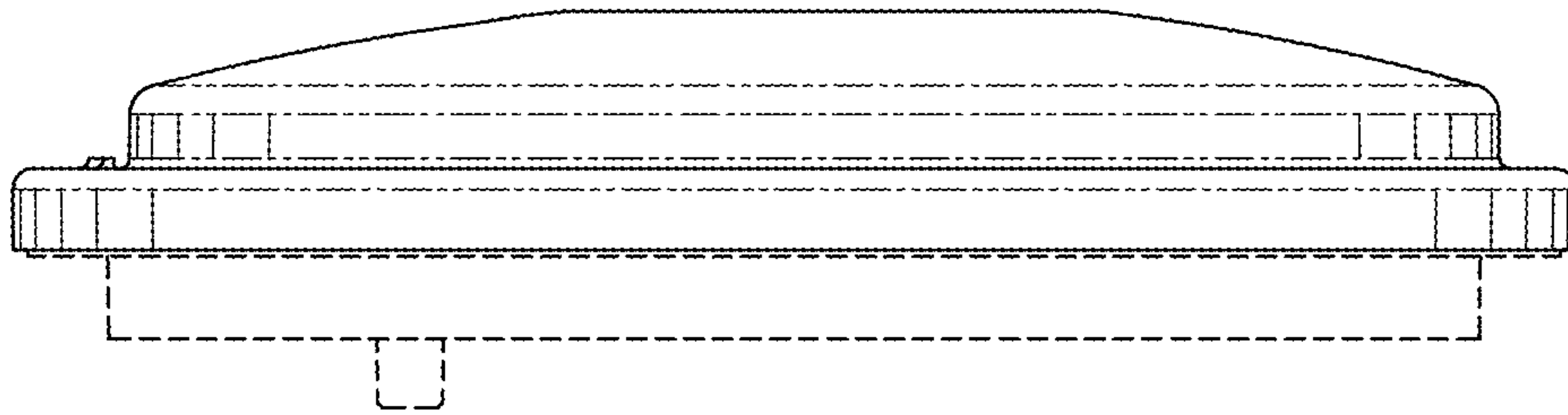


FIG. 5

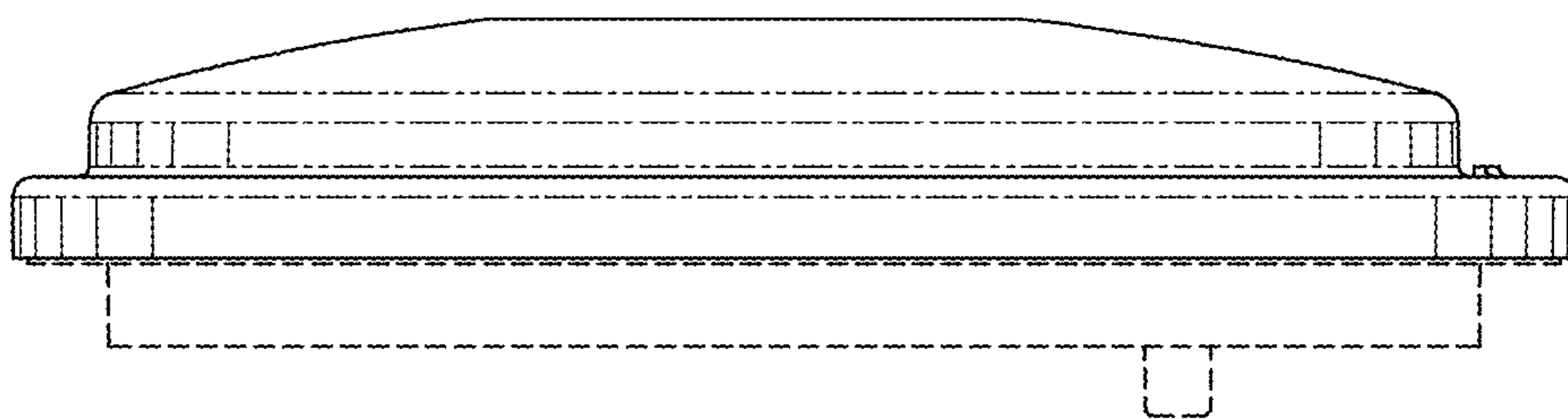


FIG. 6

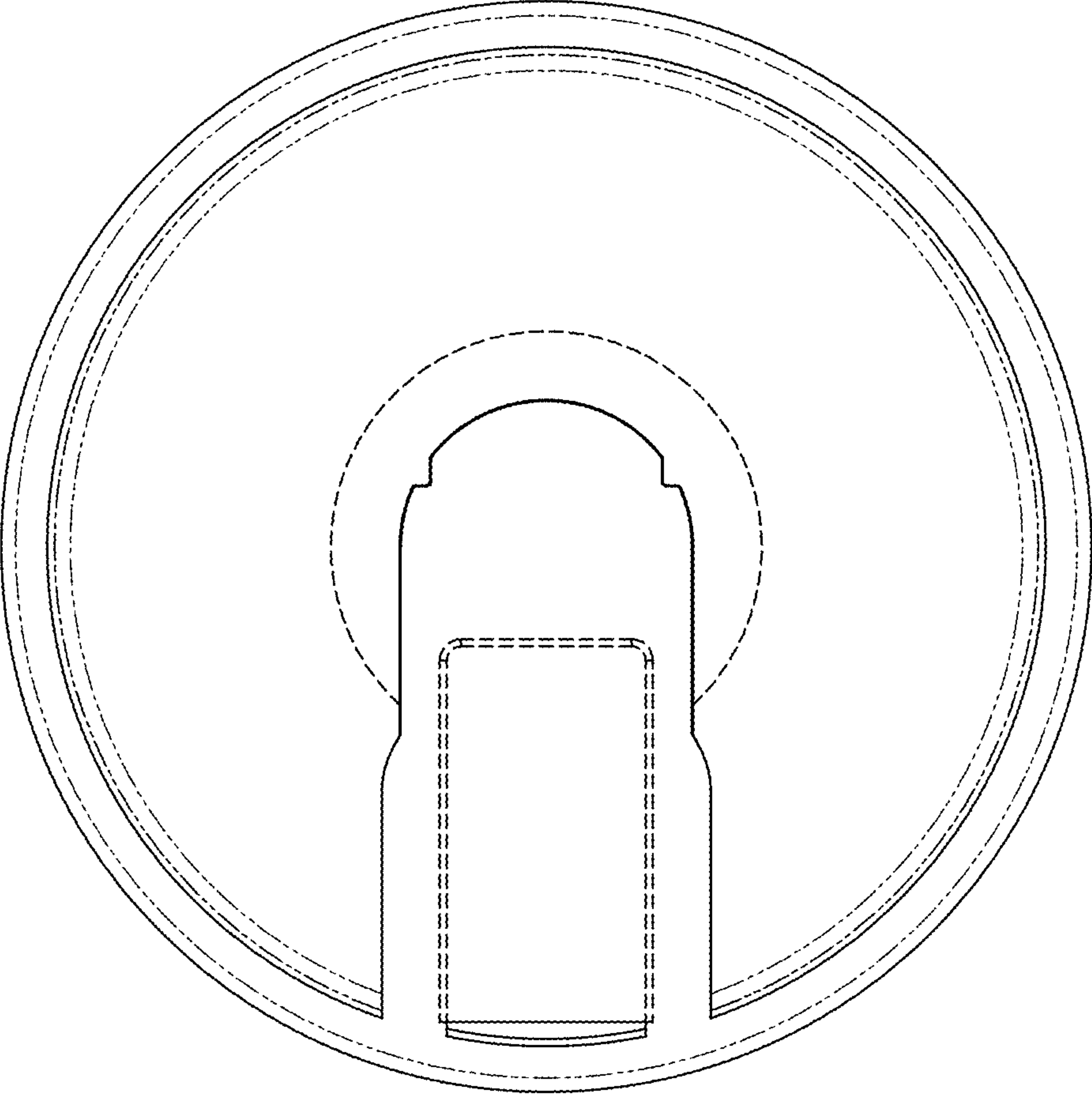


FIG. 7