



US00D833308S

(12) **United States Design Patent** (10) **Patent No.:** **US D833,308 S**
Burke (45) **Date of Patent:** **** Nov. 13, 2018**

(54) **HAND-HELD DIAGNOSTIC TOOL**

(71) Applicant: **AirMagnet, Inc.**, Santa Clara, CA (US)

(72) Inventor: **William H. Burke**, Shoreline, WA (US)

(73) Assignee: **AIRMAGNET, INC.**, Santa Clara, CA (US)

(**) Term: **15 Years**

(21) Appl. No.: **29/601,534**

(22) Filed: **Apr. 24, 2017**

(51) **LOC (11) Cl.** **10-04**

(52) **U.S. Cl.**
USPC **D10/78**

(58) **Field of Classification Search**

USPC D10/78; D14/315, 336
 CPC G01L 19/08; G01L 19/083; G01L 19/086;
 G01L 19/10; G01L 19/12; G01L 19/14;
 G01L 19/141; G01L 19/142; G01L
 19/143; G01L 19/144; G01L 19/45; G01L
 19/146; G01L 19/147; G01L 19/148;
 G01L 19/149; G01L 19/16; G07C 5/00;
 G07C 5/002; G07C 5/004; G07C 5/006;
 G07C 5/008; G07C 5/02; G07C 5/04;
 G07C 5/06; G07C 5/08; G07C 5/0808;
 G07C 5/0816; G07C 5/0825; G07C
 5/0833; G07C 5/0841; G07C 5/085;
 G07C 5/0858; G07C 5/0866; G07C
 5/0875; G07C 5/0883; G07C 5/0891;
 G07C 5/10

See application file for complete search history.

(56) **References Cited**

U.S. PATENT DOCUMENTS

5,488,575 A *	1/1996	Danielson	B60R 11/02 713/321
D386,099 S *	11/1997	Billington	D10/75
D427,089 S *	6/2000	Maio	D10/78
D474,413 S *	5/2003	Hoofnagle	D10/78
D719,472 S *	12/2014	Sakaue	D10/78
D721,290 S *	1/2015	Varacca	D10/78
D798,861 S *	10/2017	Wieser	D14/358

* cited by examiner

Primary Examiner — Antoine Duval Davis

(74) *Attorney, Agent, or Firm* — Locke Lord LLP; Scott D. Wofsy; Christopher J. Capelli

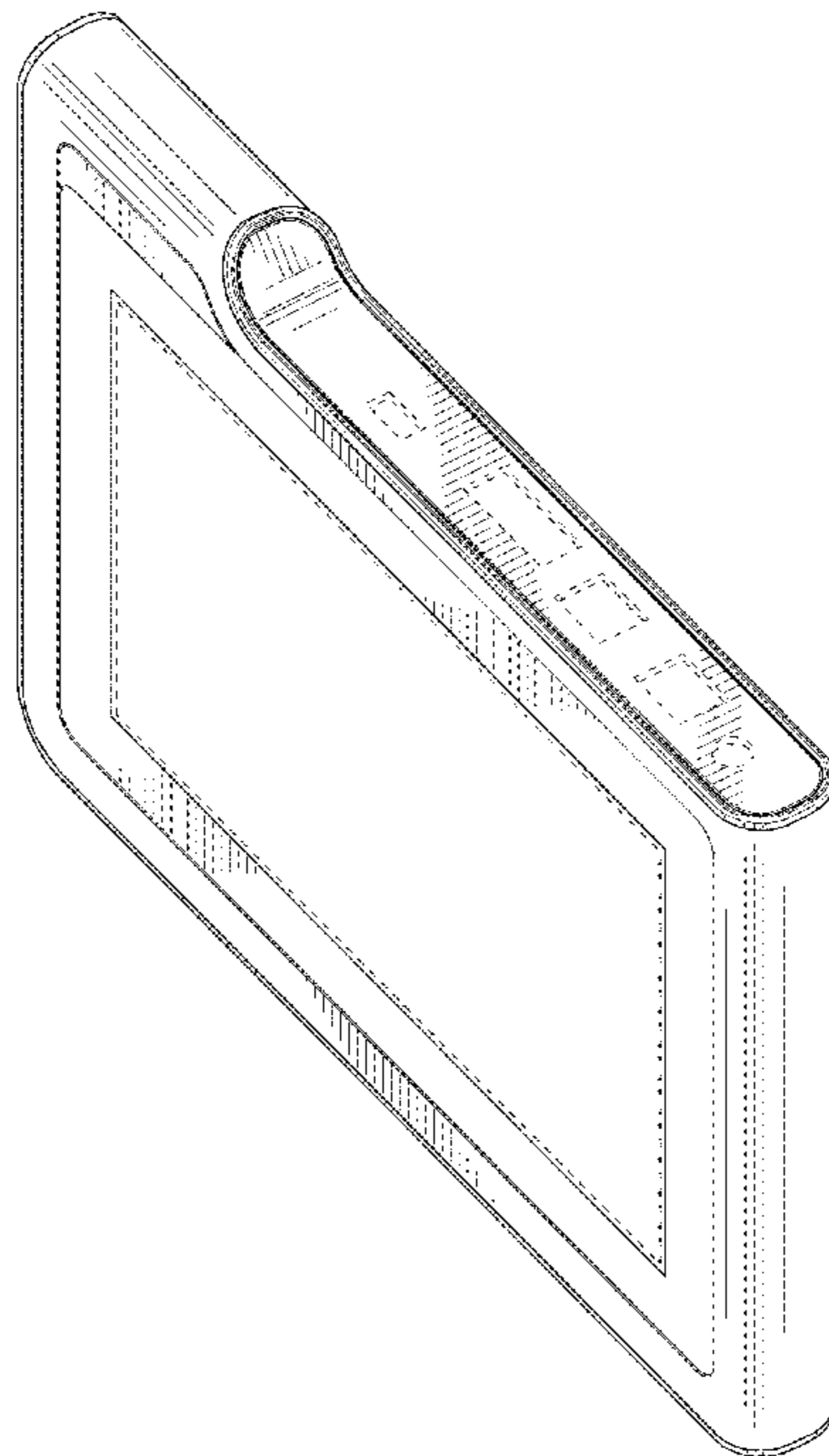
(57) **CLAIM**

The ornamental design for a hand-held diagnostic tool, as shown and described.

DESCRIPTION

FIG. 1 is a perspective view of the diagnostic tool;
 FIG. 2 is a front elevational view of the diagnostic tool;
 FIG. 3 is a rear elevational view of the diagnostic tool;
 FIG. 4 is a top plan view of the diagnostic tool;
 FIG. 5 is a bottom plan view of the diagnostic tool;
 FIG. 6 is a left side elevational view of the diagnostic tool;
 and,
 FIG. 7 is a right side elevational view of the diagnostic tool.
 The broken lines in the drawing depict portions of the hand-held diagnostic tool that form no part of the claimed invention.

1 Claim, 5 Drawing Sheets



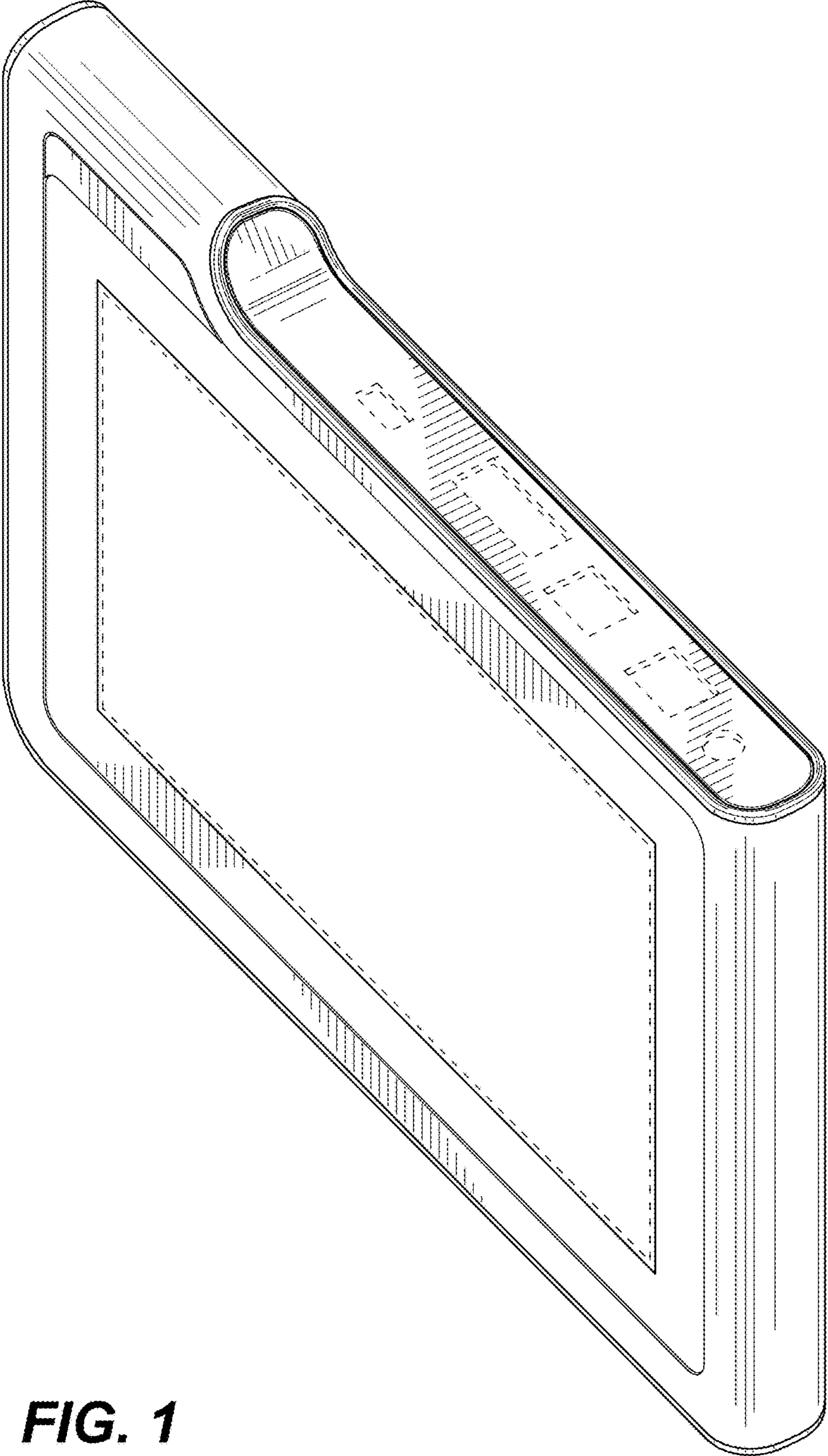


FIG. 1

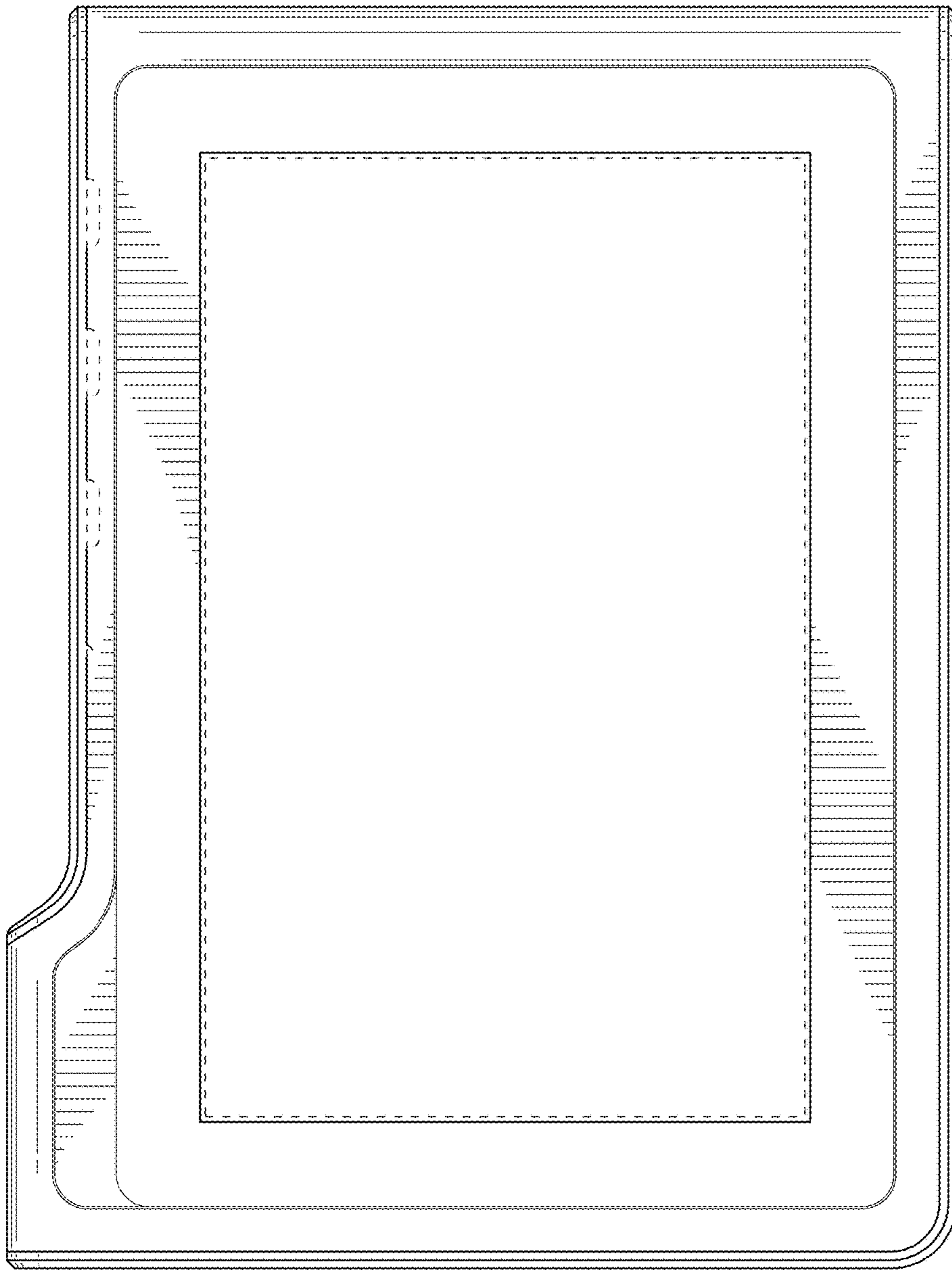


FIG. 2

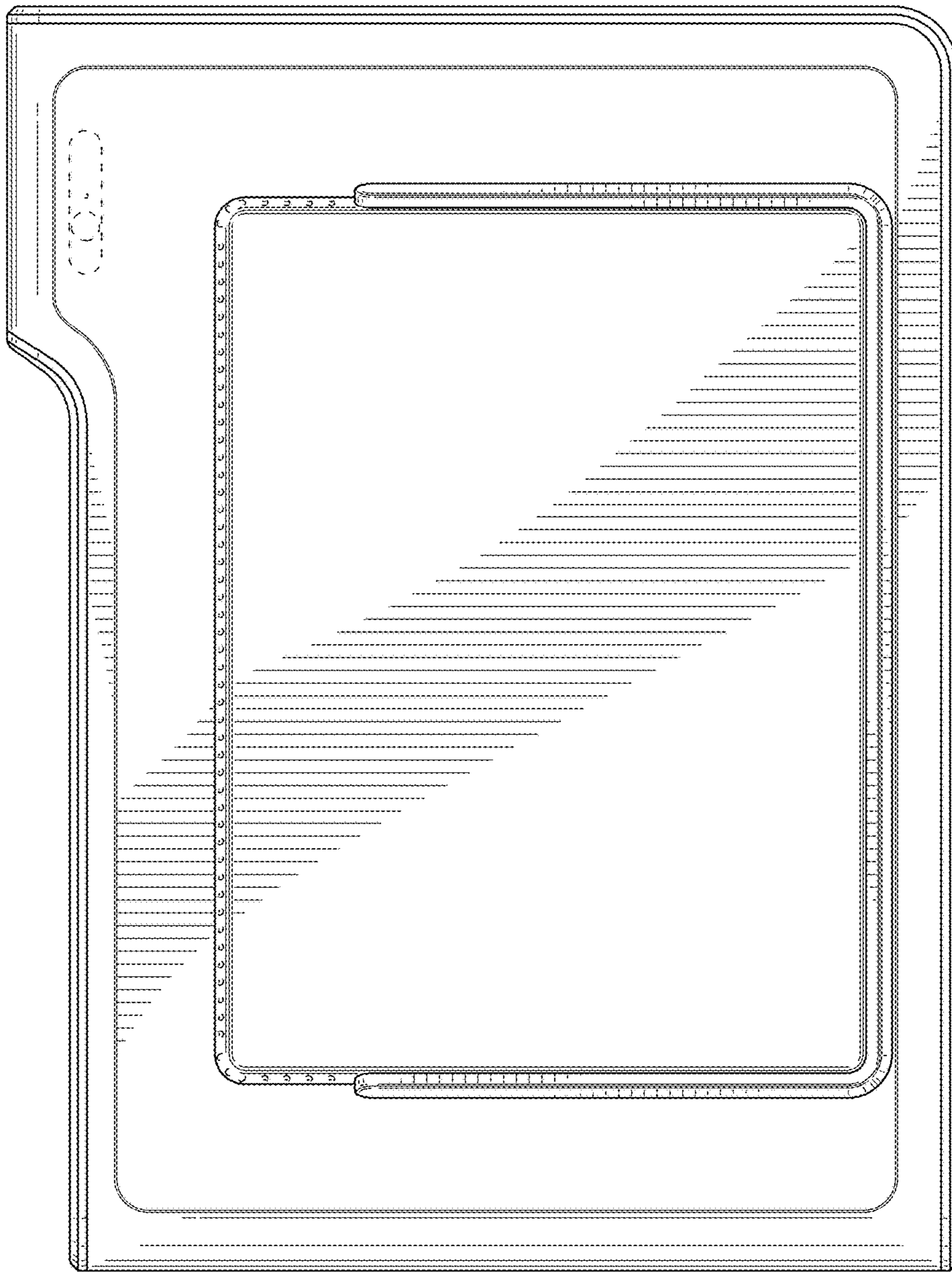


FIG. 3

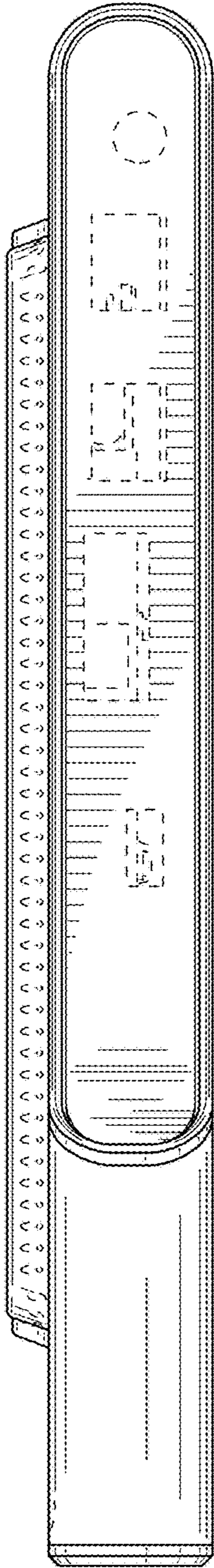


FIG. 4

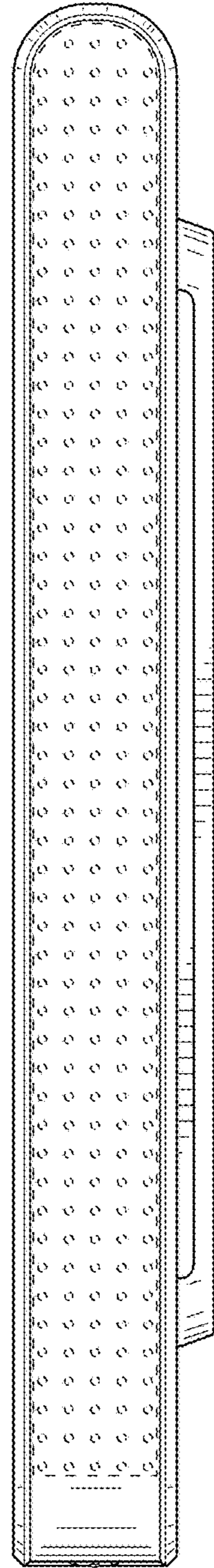


FIG. 5

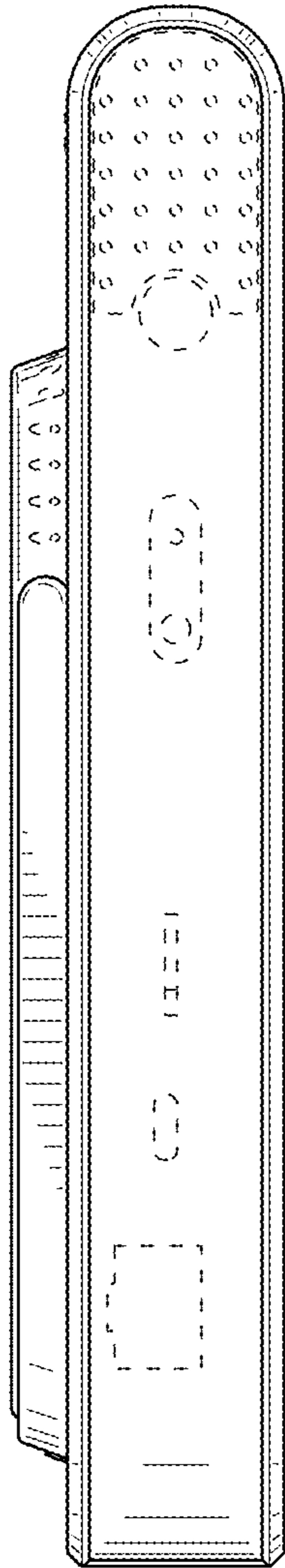


FIG. 6

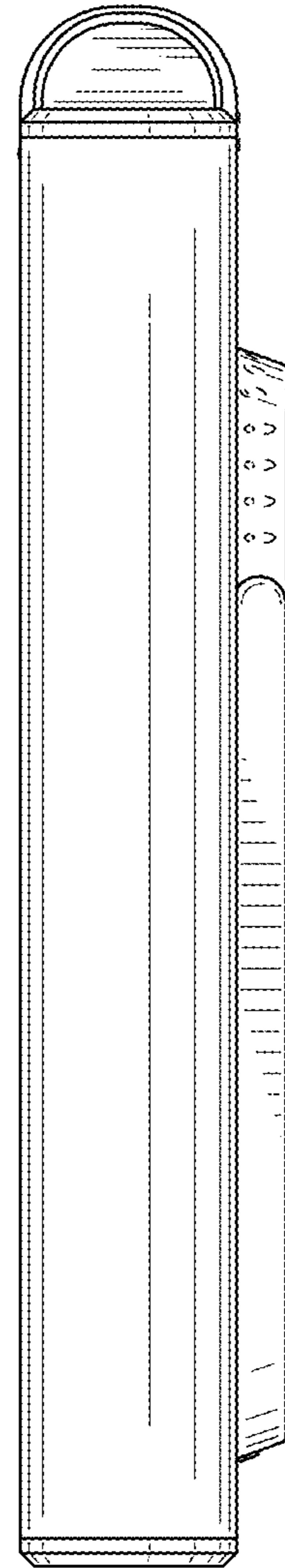


FIG. 7