



US00D833306S

(12) **United States Design Patent** (10) **Patent No.:** **US D833,306 S**
Jang et al. (45) **Date of Patent:** **** Nov. 13, 2018**

(54) **ELEMENT FOR ADHESIVE THERMOMETER**

(71) Applicant: **Haesung DS CO., LTD.**,
Gyeongsangnam-do (KR)
(72) Inventors: **Jae Hoon Jang**, Seoul (KR); **Ho Sang Yu**, Seoul (KR); **Jin Woo Lee**, Seoul (KR)
(73) Assignee: **Haesung DS CO., LTD.**, Changwon-si (KR)

(**) Term: **15 Years**

(21) Appl. No.: **29/605,804**

(22) Filed: **May 30, 2017**

(30) **Foreign Application Priority Data**

Dec. 20, 2016 (KR) 30-2016-0061985

(51) **LOC (11) Cl.** **10-04**

(52) **U.S. Cl.**
USPC **D10/60**

(58) **Field of Classification Search**

USPC D10/57, 58, 60
CPC A61N 1/0472; A61N 1/0476; A61N 1/048;
A61N 1/0484; A61N 1/0488; A61N 1/0492; A61N 1/0496; A61N 1/37; A61N 1/3702; A61N 1/3704; A61N 1/3706; A61N 1/3708; A61N 1/371; A61N 1/3712; A61N 1/3714; A61N 1/3716; A61N 1/3718; A61N 1/375; A61N 1/3752; A61N 1/3754; A61N 1/3756; A61N 1/3758

See application file for complete search history.

(56) **References Cited**

U.S. PATENT DOCUMENTS

4,981,146 A * 1/1991 Bertolucci A61H 39/002
128/907
5,423,874 A * 6/1995 D'Alerta A61N 1/36021
607/46
5,749,910 A * 5/1998 Brumwell A61N 1/375
607/36
7,637,868 B2 * 12/2009 Saint A61B 5/0031
600/300
D766,113 S * 9/2016 Dohi D10/57
D795,097 S * 8/2017 Alla D10/57
D795,100 S * 8/2017 Alla D10/57
D795,104 S * 8/2017 Alla D10/57
D800,584 S * 10/2017 Ahong D10/52

* cited by examiner

Primary Examiner — Antoine Duval Davis

(74) *Attorney, Agent, or Firm* — Schwabe, Williamson & Wyatt, P.C.

(57) **CLAIM**

The design for an element for adhesive thermometer, as shown and described.

DESCRIPTION

FIG. 1 is a front perspective view of an element for an adhesive thermometer showing our new design; FIG. 2 is a front view thereof; FIG. 3 is a rear view thereof; FIG. 4 is a left view thereof; FIG. 5 is a right view thereof; FIG. 6 is a top view thereof; FIG. 7 is a bottom view of the design; and, FIG. 8 is a front perspective view showing in dashed lines an environment in which the element can be used.

1 Claim, 5 Drawing Sheets

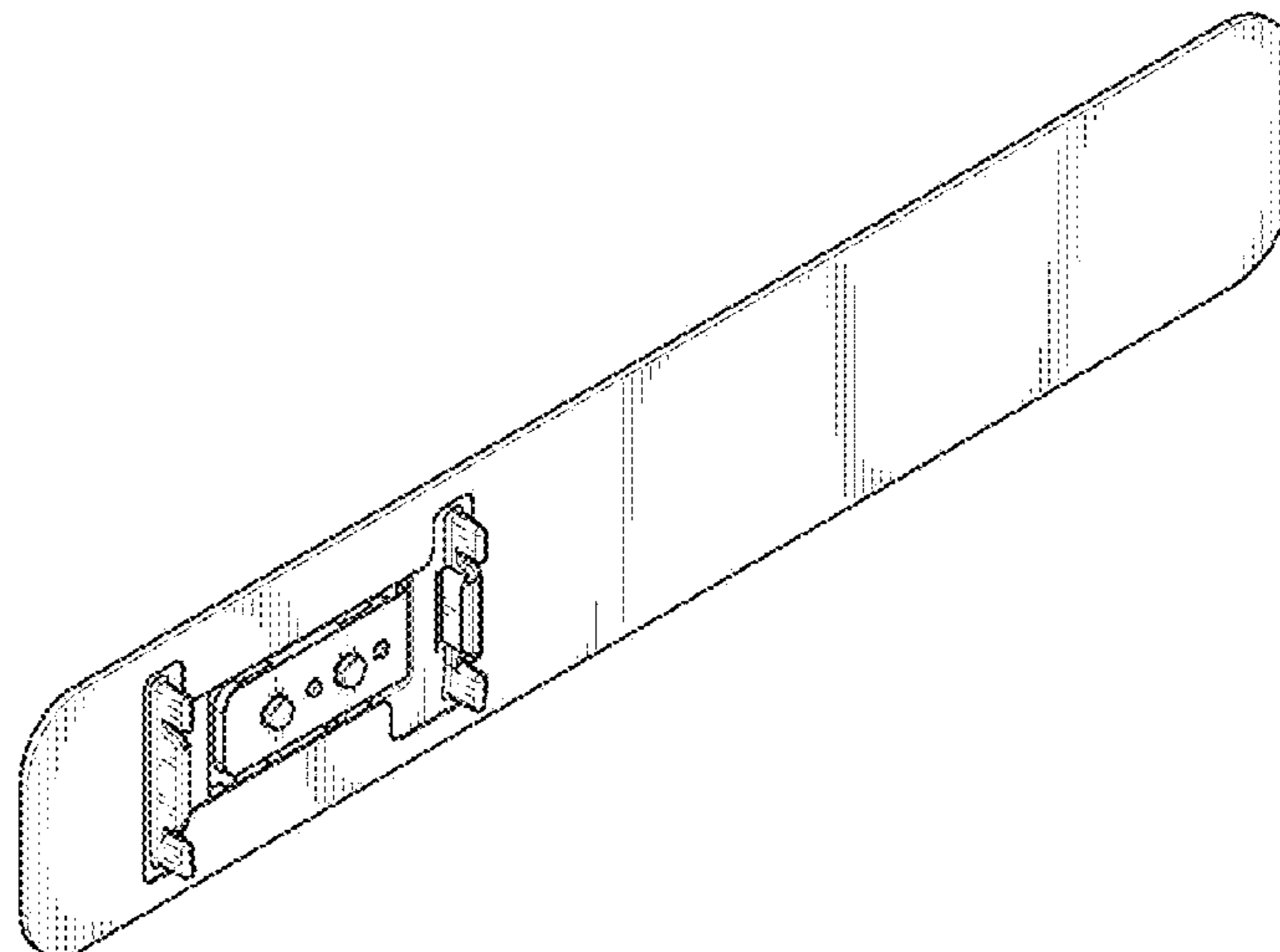


FIG. 1

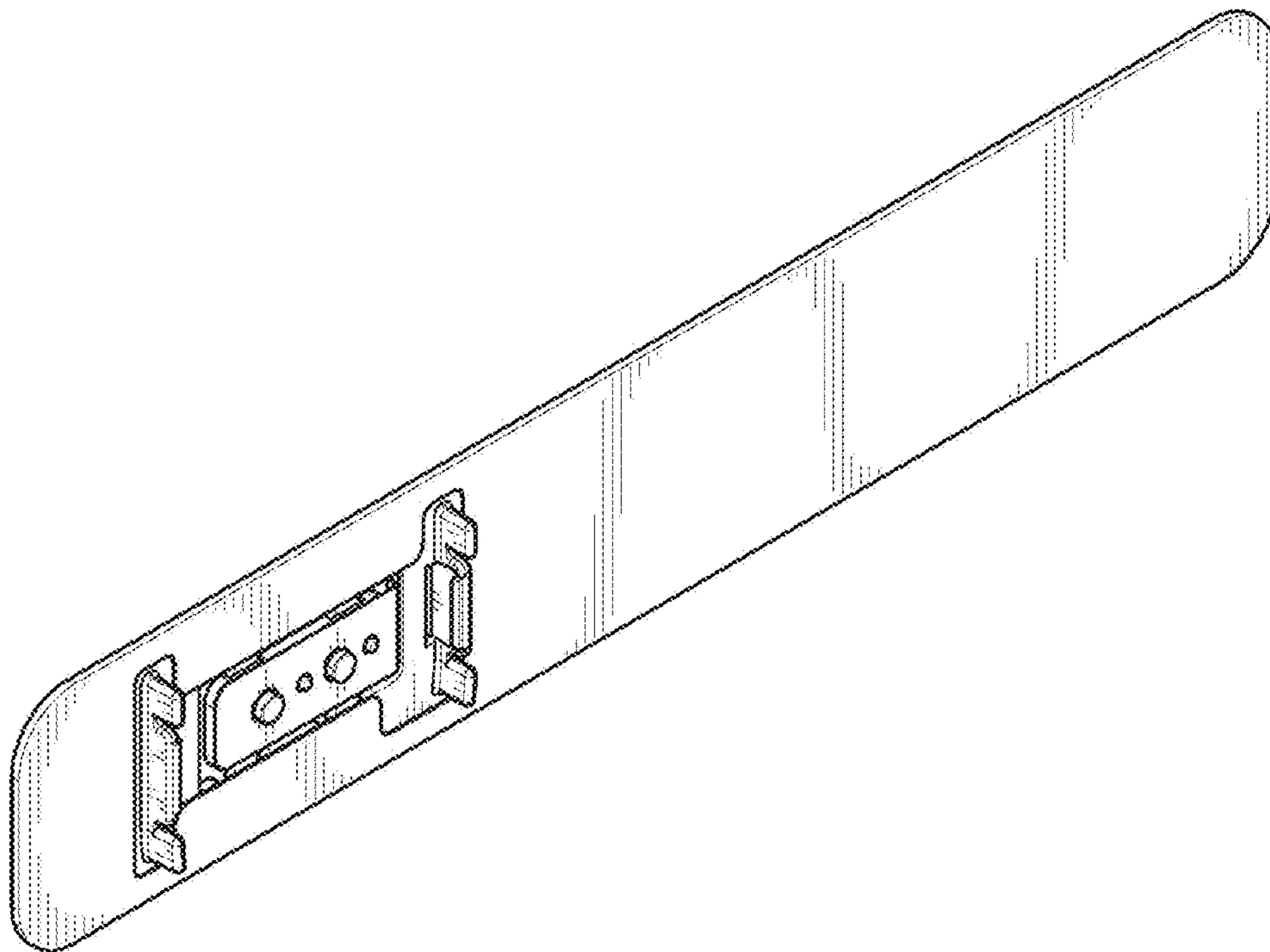


FIG. 2

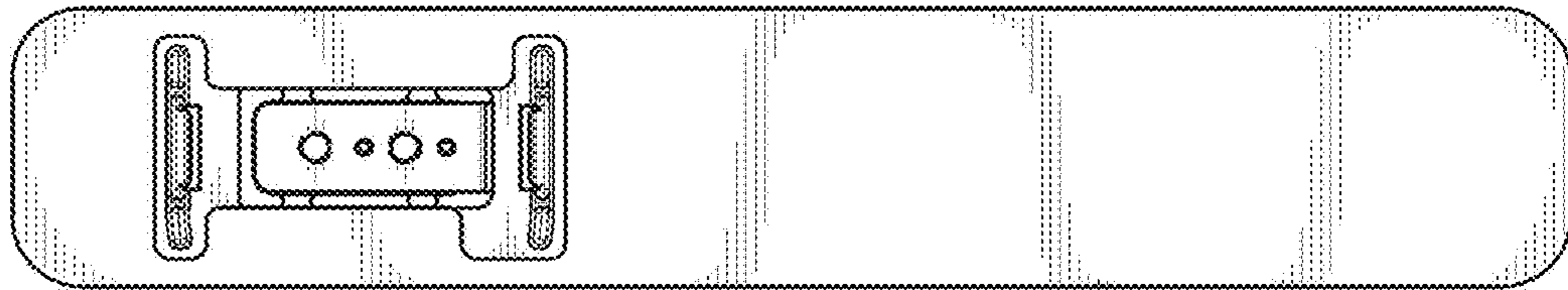


FIG. 3

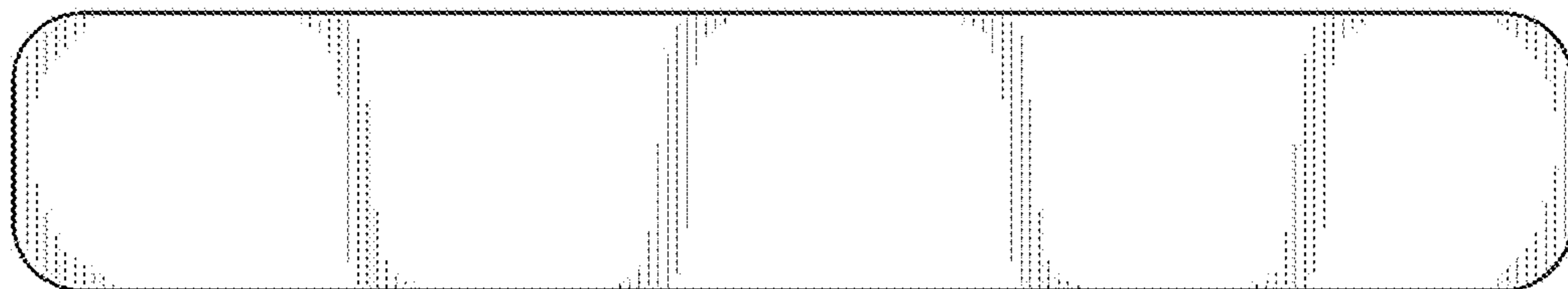


FIG. 4

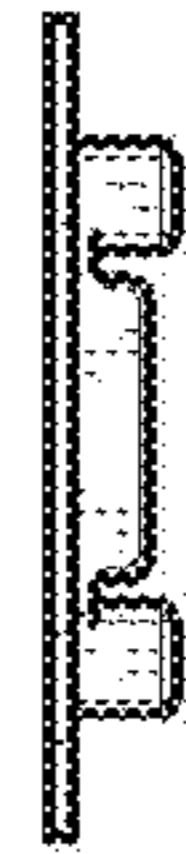


FIG. 5



FIG. 6

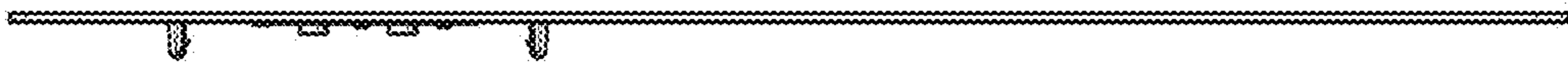


FIG. 7



FIG. 8

