



US00D833305S

(12) **United States Design Patent** (10) **Patent No.:** **US D833,305 S**
Jang et al. (45) **Date of Patent:** **** Nov. 13, 2018**

(54) **ADHESIVE THERMOMETER**

(71) Applicant: **Haesung DS CO., LTD.**,
Gyeongsangnam-do (KR)

(72) Inventors: **Jae Hoon Jang**, Seoul (KR); **Ho Sang Yu**, Seoul (KR); **Jin Woo Lee**, Seoul (KR)

(73) Assignee: **Haesung DS CO., LTD.**, Changwon-si (KR)

(**) Term: **15 Years**

(21) Appl. No.: **29/605,616**

(22) Filed: **May 26, 2017**

(30) **Foreign Application Priority Data**

Dec. 20, 2016 (KR) 30-2016-0061984

(51) **LOC (11) Cl.** **10-04**

(52) **U.S. Cl.**
USPC **D10/57**

(58) **Field of Classification Search**

USPC D10/57, 58, 60
CPC A61N 1/0472; A61N 1/0476; A61N 1/048;
A61N 1/0484; A61N 1/0488; A61N
1/0492; A61N 1/0496; A61N 1/37; A61N
1/3702; A61N 1/3704; A61N 1/3706;
A61N 1/3708; A61N 1/371; A61N
1/3712; A61N 1/3714; A61N 1/3716;
A61N 1/3718; A61N 1/375; A61N
1/3752; A61N 1/3754; A61N 1/3756;
A61N 1/3758

See application file for complete search history.

(56) **References Cited**

U.S. PATENT DOCUMENTS

4,981,146	A *	1/1991	Bertolucci	A61H 39/002	128/907
5,423,874	A *	6/1995	D'Alerta	A61N 1/36021	607/46
5,749,910	A *	5/1998	Brumwell	A61N 1/375	607/36
7,637,868	B2 *	12/2009	Saint	A61B 5/0031	600/300
D766,113	S *	9/2016	Dohi	D10/57	
D795,097	S *	8/2017	Alla	D10/57	
D795,100	S *	8/2017	Alla	D10/57	
D795,104	S *	8/2017	Alla	D10/57	
D800,584	S *	10/2017	Ahong	D10/52	

* cited by examiner

Primary Examiner — Antoine Duval Davis

(74) *Attorney, Agent, or Firm* — Schwabe, Williamson & Wyatt P.C.

(57) **CLAIM**

The ornamental design for an adhesive thermometer, as shown and described.

DESCRIPTION

FIG. 1 is a top front perspective view of an adhesive thermometer showing our new design; FIG. 2 is a front view thereof; FIG. 3 is a rear view thereof; FIG. 4 is a left view thereof. FIG. 5 is a right view thereof; FIG. 6 is a top view thereof; FIG. 7 is a bottom view thereof; and, FIG. 8 is an exploded perspective view thereof.

1 Claim, 5 Drawing Sheets

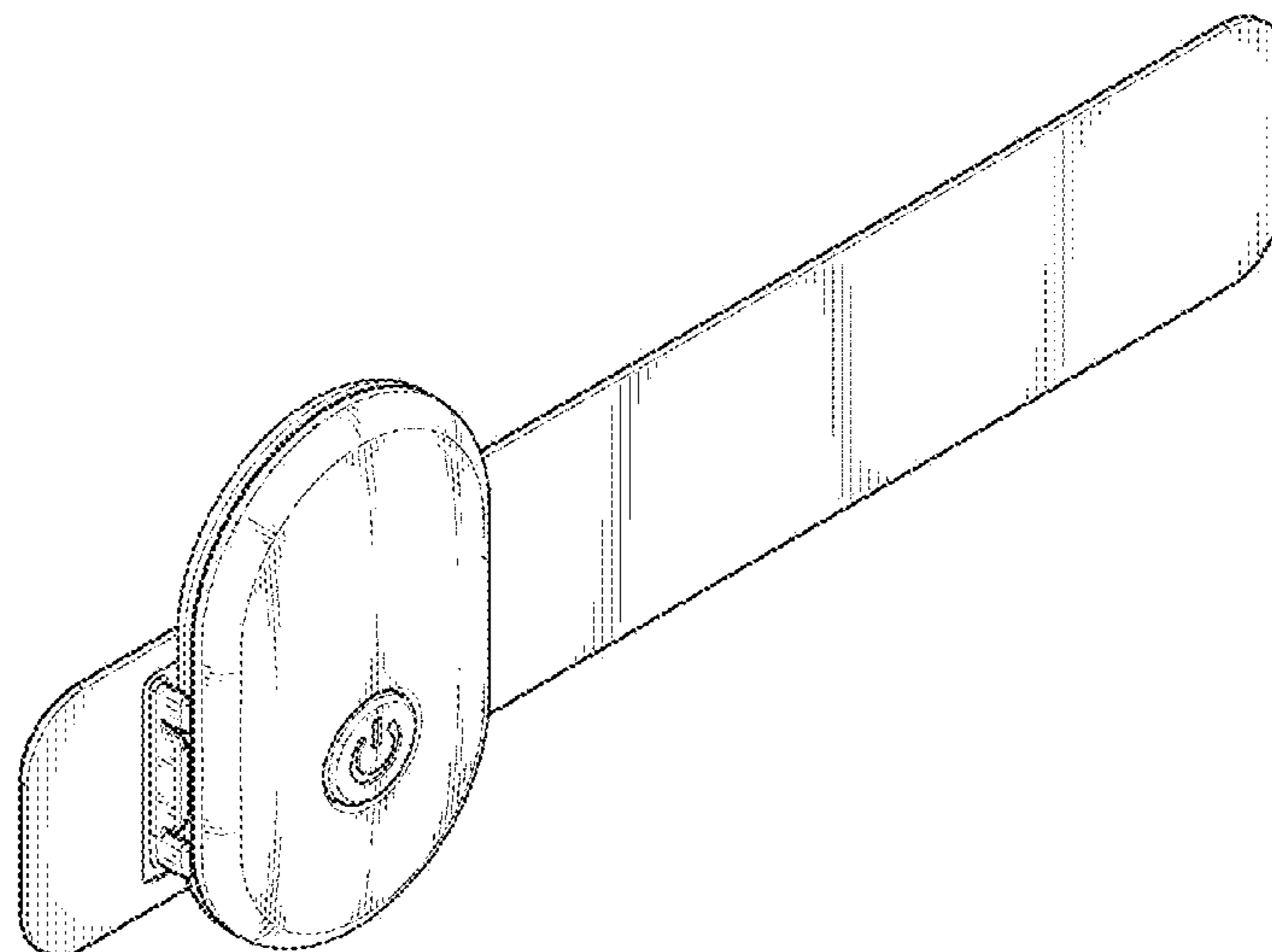


FIG. 1

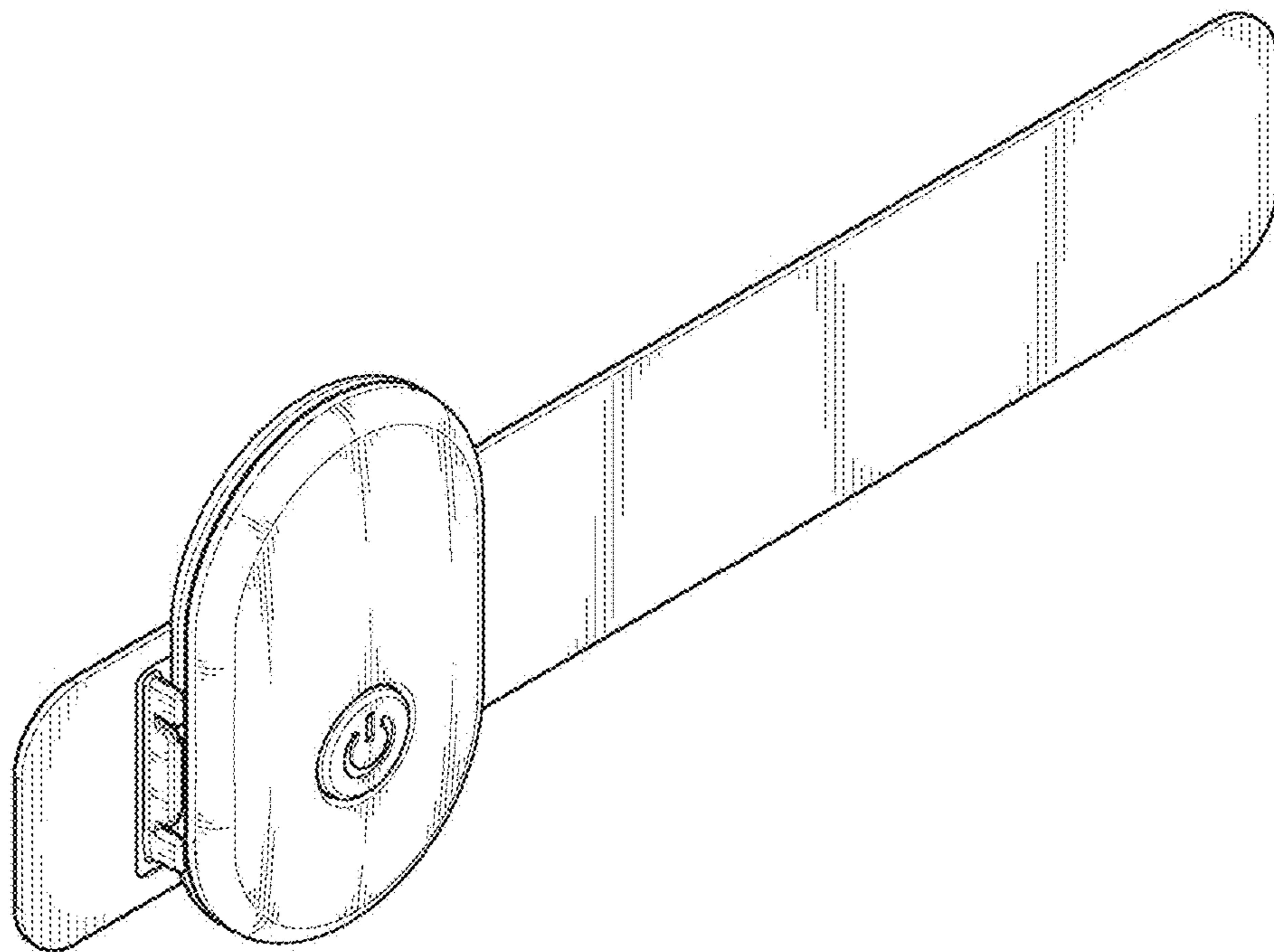


FIG. 2

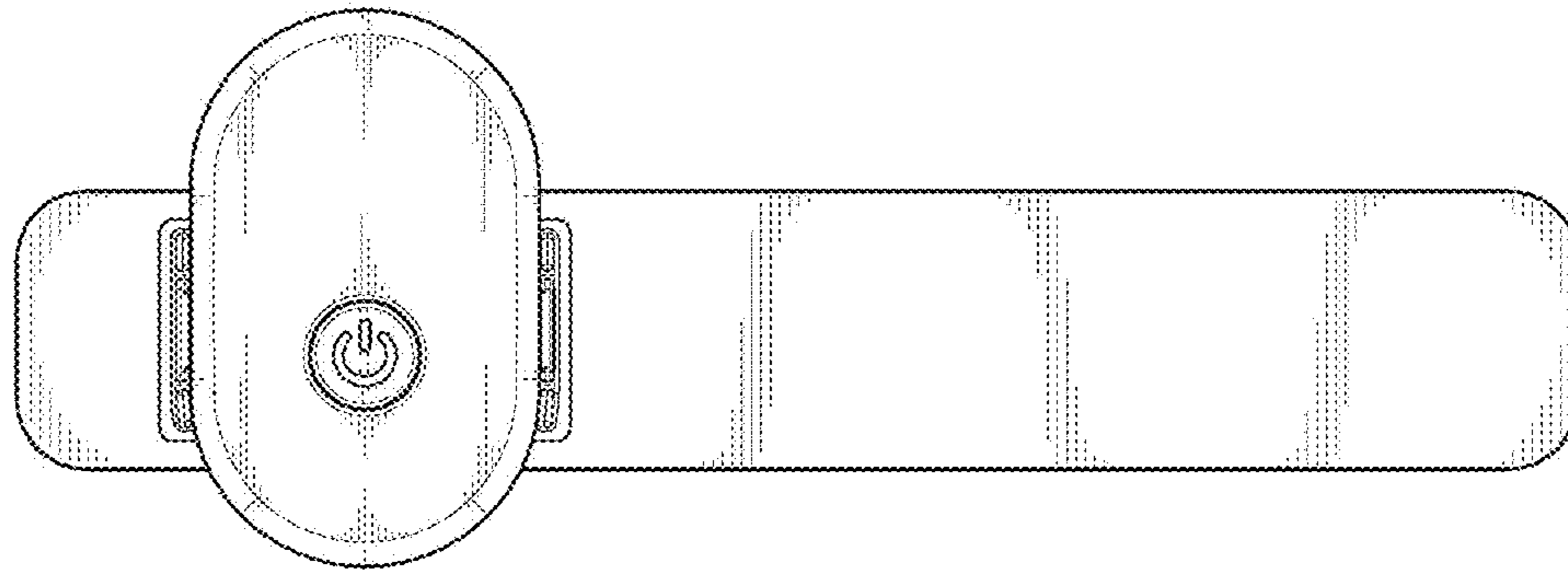


FIG. 3

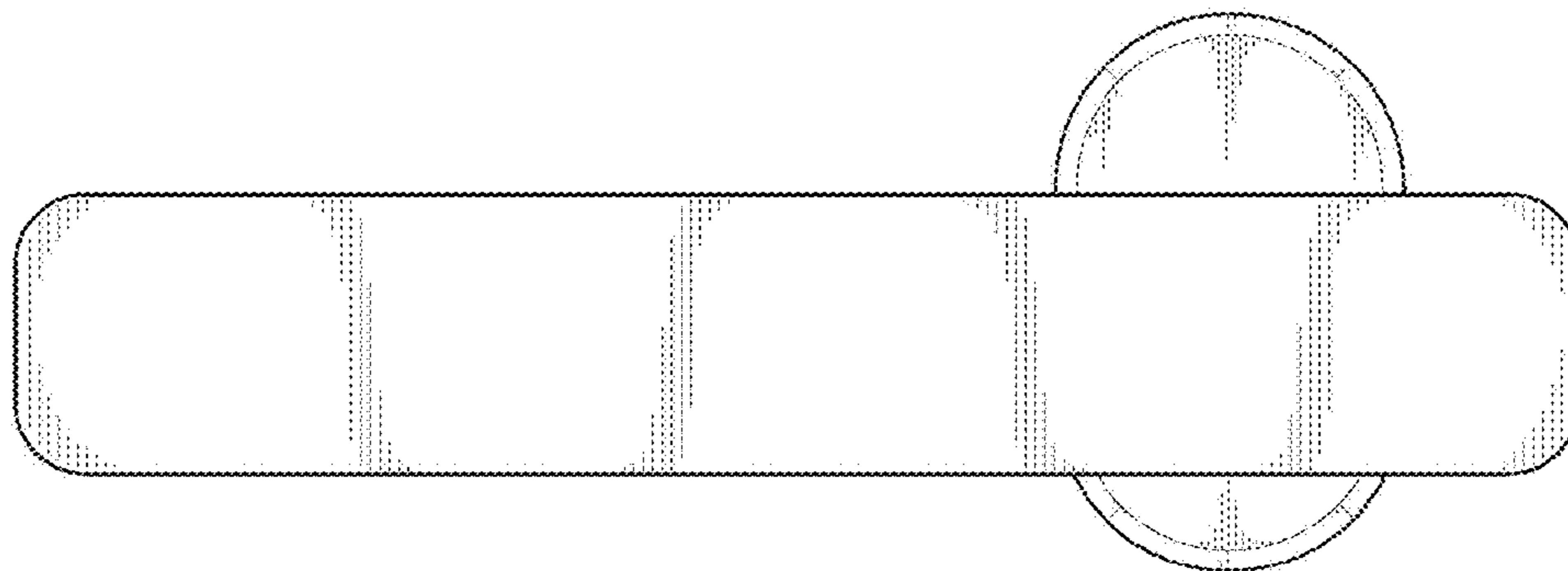


FIG. 4



FIG. 5

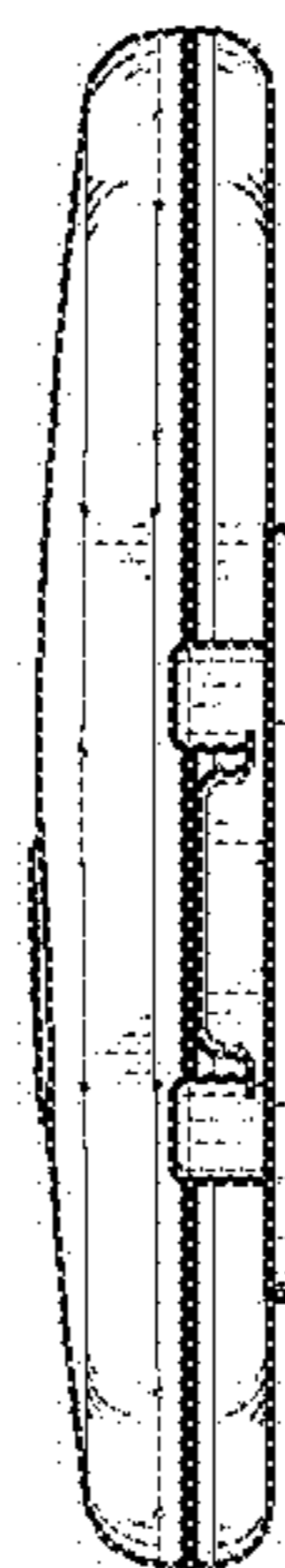


FIG. 6



FIG. 7



FIG. 8

