



US00D833304S

(12) **United States Design Patent** (10) **Patent No.:** **US D833,304 S**  
**Kawahara et al.** (45) **Date of Patent:** **\*\* Nov. 13, 2018**

(54) **WIRELESS ENVIRONMENT MONITOR**

D675,946 S \* 2/2013 Chan ..... D10/65  
D702,141 S \* 4/2014 Jung ..... D10/65  
D717,183 S \* 11/2014 Herzl ..... D10/53  
D809,944 S \* 2/2018 Kawahara ..... D10/53

(71) Applicant: **OMRON Corporation**, Kyoto-shi, Kyoto (JP)

(72) Inventors: **Shuji Kawahara**, Katano (JP); **Kayo Nakamura**, Kusatsu (JP); **Naotsugu Ueda**, Kusatsu (JP)

FOREIGN PATENT DOCUMENTS

CN 303789750 \* 8/2016  
JP D1093395 \* 12/2000

(73) Assignee: **OMRON Corporation**, Kyoto (JP)

\* cited by examiner

(\*\*) Term: **15 Years**

*Primary Examiner* — Susan Bennett Hattan  
*Assistant Examiner* — Leanne Was-Englehart

(21) Appl. No.: **29/595,938**

(74) *Attorney, Agent, or Firm* — Capitol City TechLaw

(22) Filed: **Mar. 3, 2017**

(51) **LOC (11) Cl.** ..... **10-04**

(52) **U.S. Cl.**  
USPC ..... **D10/51**

(58) **Field of Classification Search**  
USPC ..... D10/51, 52, 78, 81; D14/240; 250/206;  
340/506, 587  
CPC ..... G01N 1/24; G01N 1/2273; G01N 25/56;  
G01N 27/122; G01N 33/006; G01N  
33/0037; G01N 33/0039; G01N 33/0044;  
G01N 33/0054; G01N 33/0075; G01J  
1/02; G01P 13/00

See application file for complete search history.

(56) **References Cited**

U.S. PATENT DOCUMENTS

D254,723 S \* 4/1980 Lawrence ..... D10/57  
D254,779 S \* 4/1980 Sulek ..... D10/57  
D378,900 S \* 4/1997 de Sieyes ..... D10/52  
D595,161 S \* 6/2009 Fisher ..... D10/50  
D597,866 S \* 8/2009 Bernard ..... D10/52

(57) **CLAIM**

The ornamental design for a wireless environment monitor, as shown and described.

**DESCRIPTION**

FIG. 1 is a front, top, and right side perspective view of a wireless environment monitor showing our new design; FIG. 2 is a rear, bottom, and left side perspective view thereof; FIG. 3 is a front view thereof; FIG. 4 is a rear view thereof; FIG. 5 is a top view thereof; FIG. 6 is a bottom view thereof; FIG. 7 is a right side view thereof; and, FIG. 8 is a left side view thereof. The oblique lines in FIGS. 1-7 indicate translucency. The broken lines shown in the figures illustrate portions of the wireless environment monitor that form no part of the claimed design.

**1 Claim, 8 Drawing Sheets**

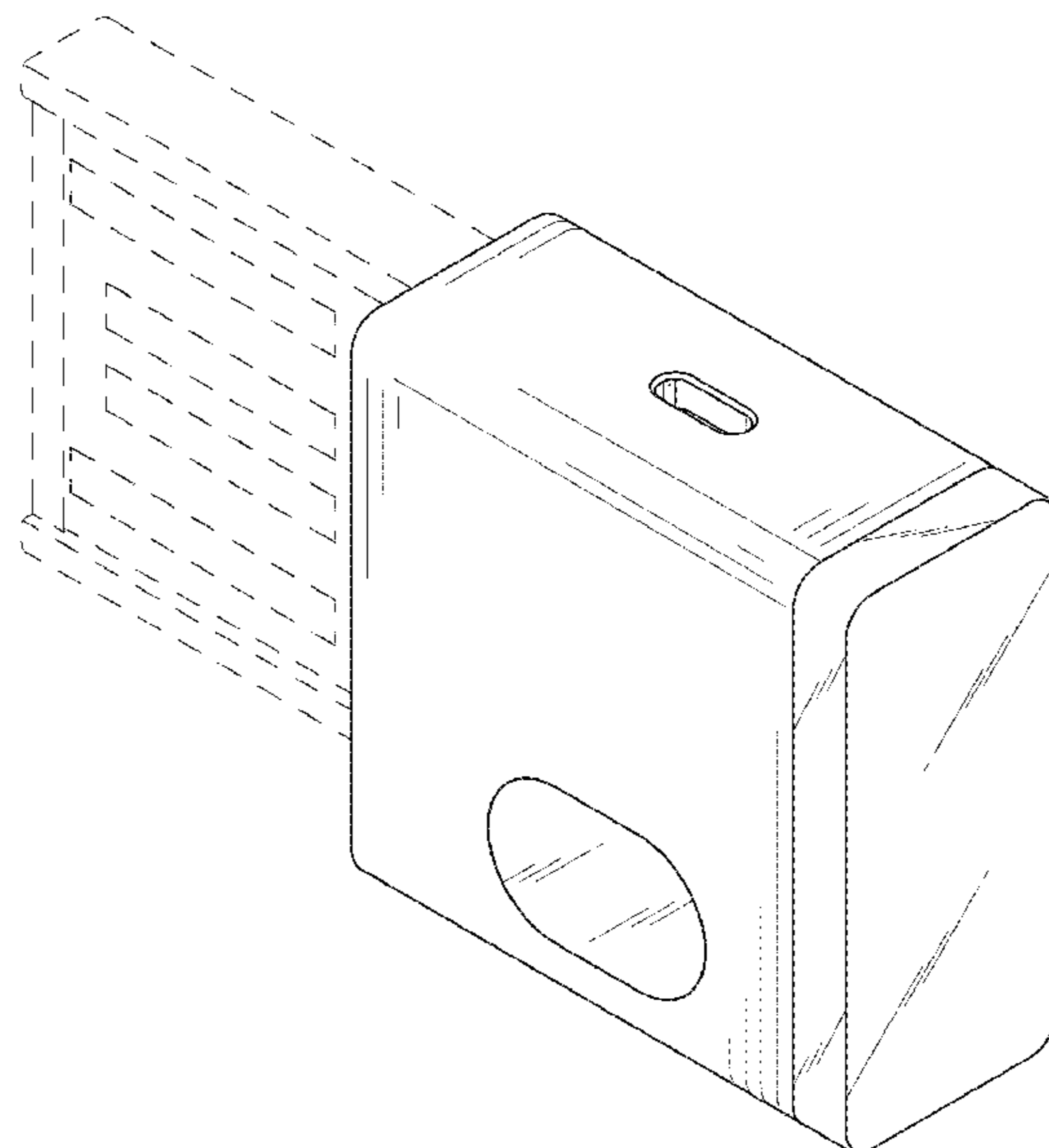


Fig.1

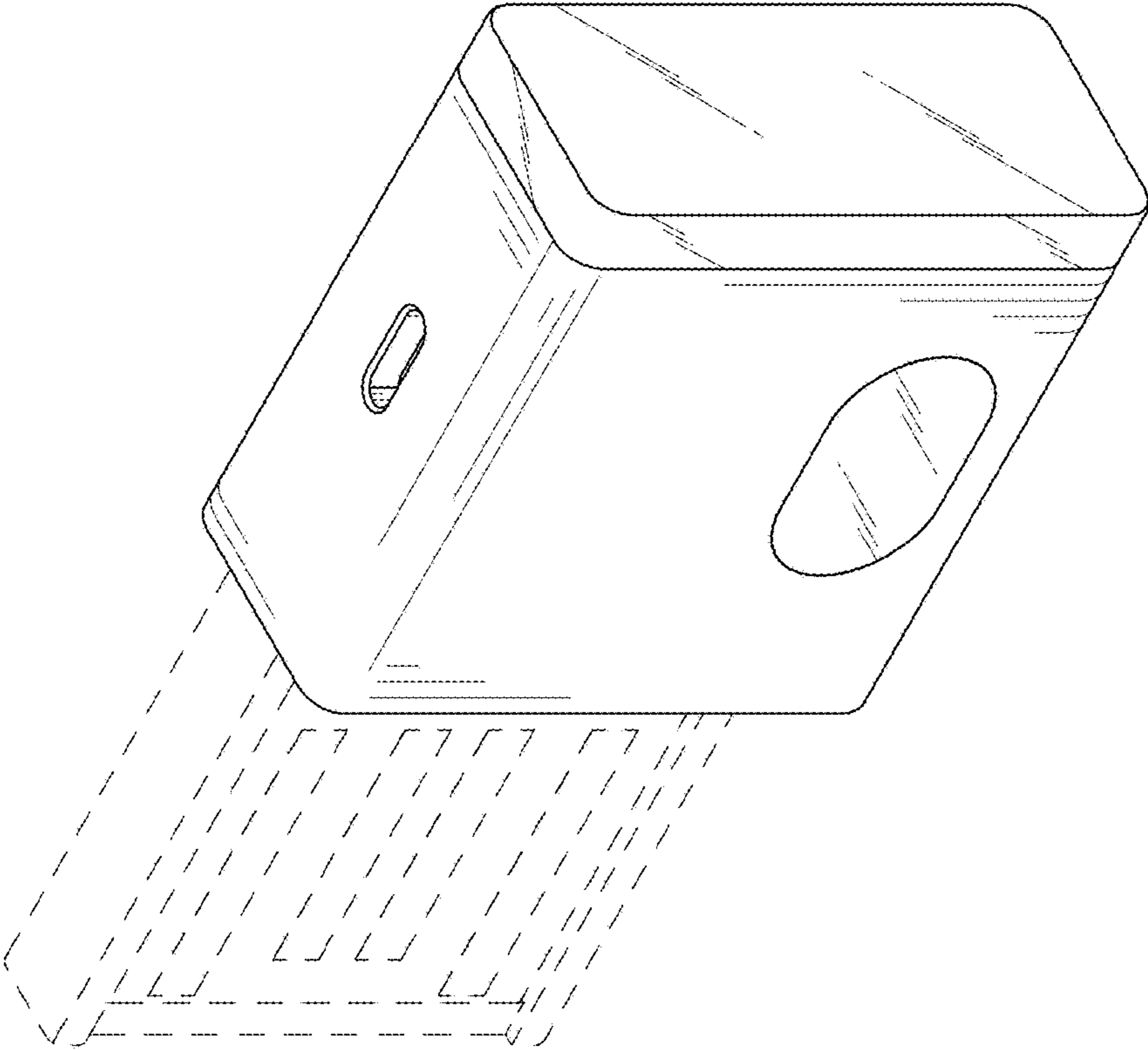


Fig.2

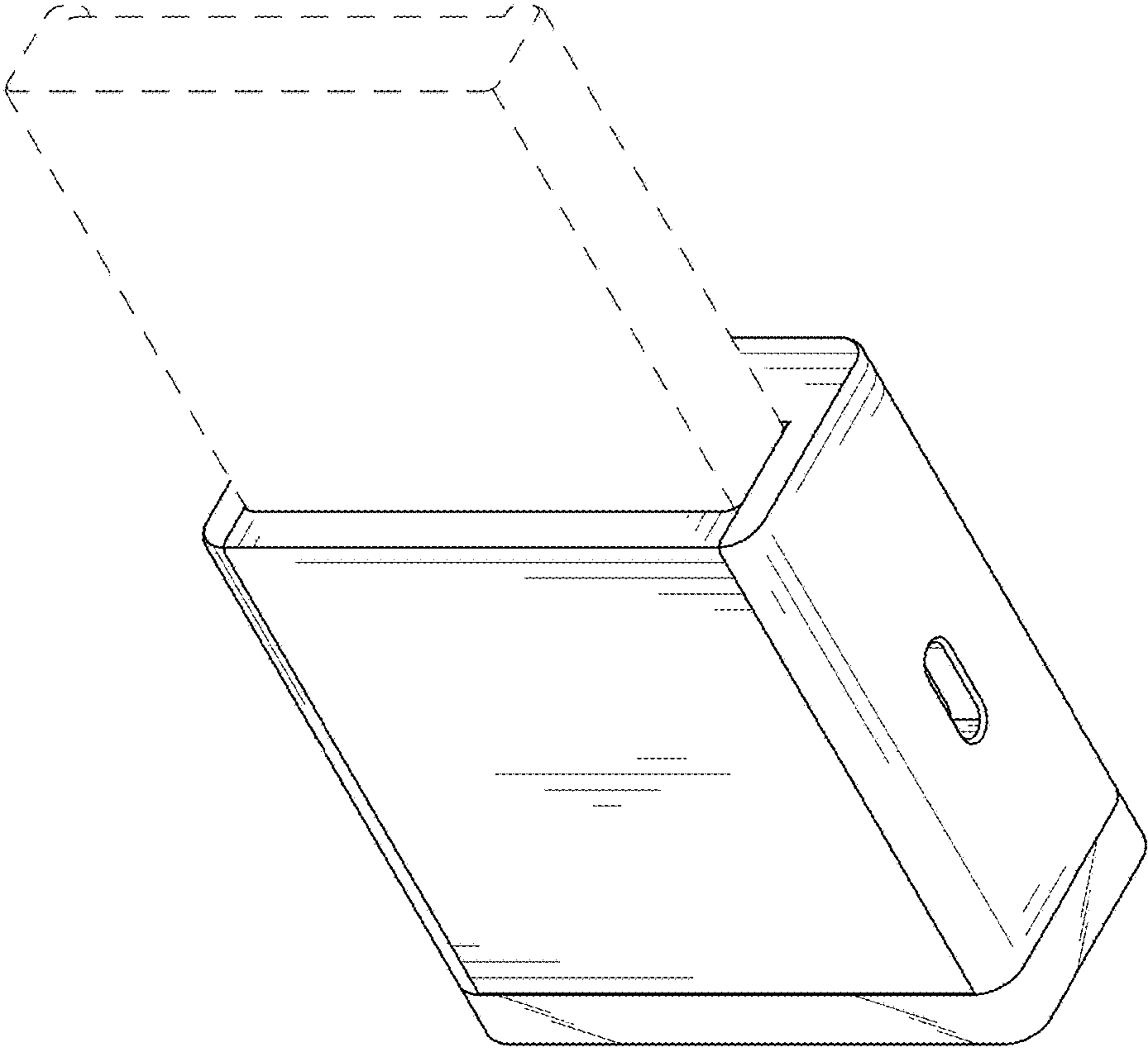


Fig.3

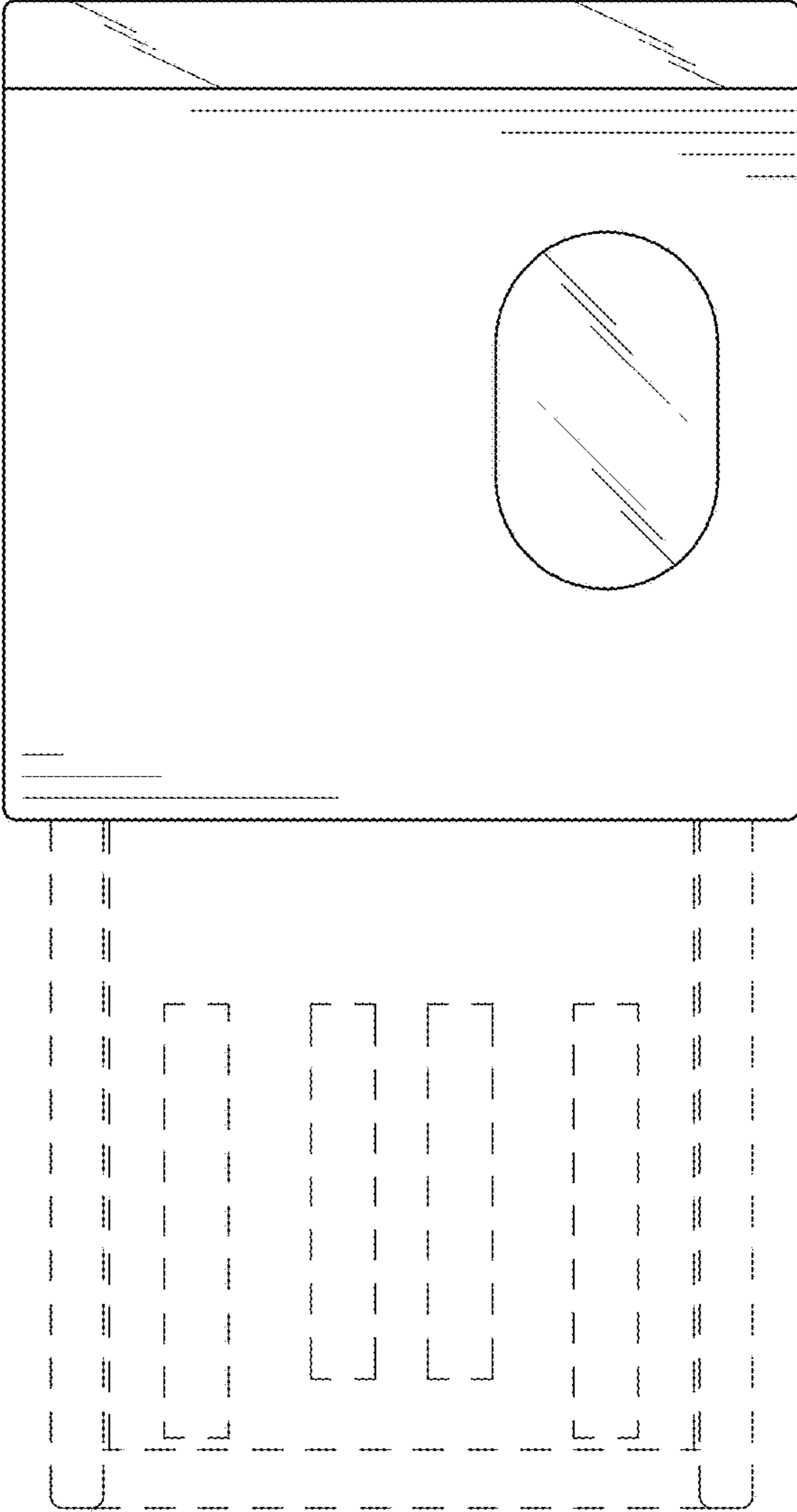


Fig.4

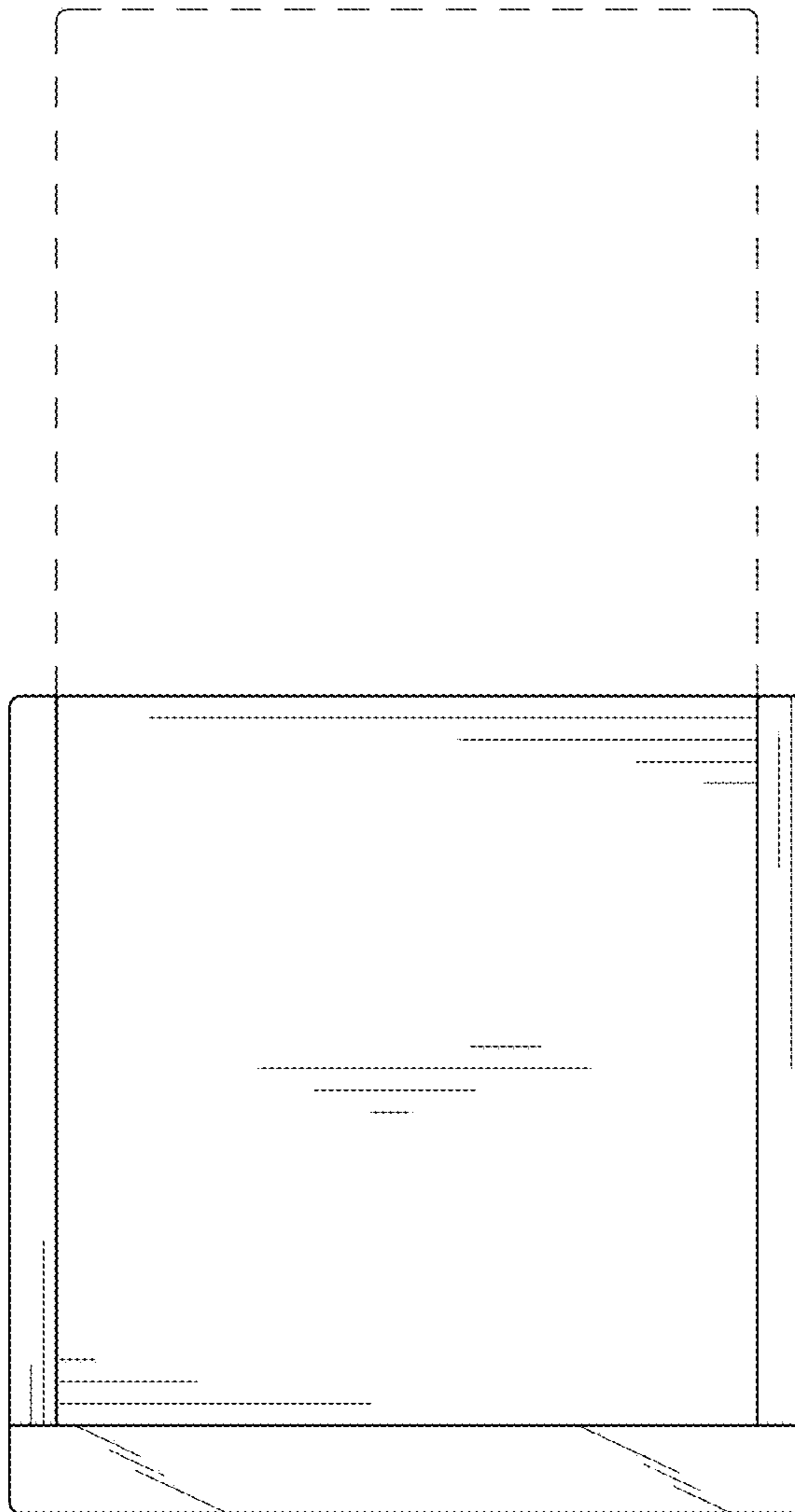


Fig. 5

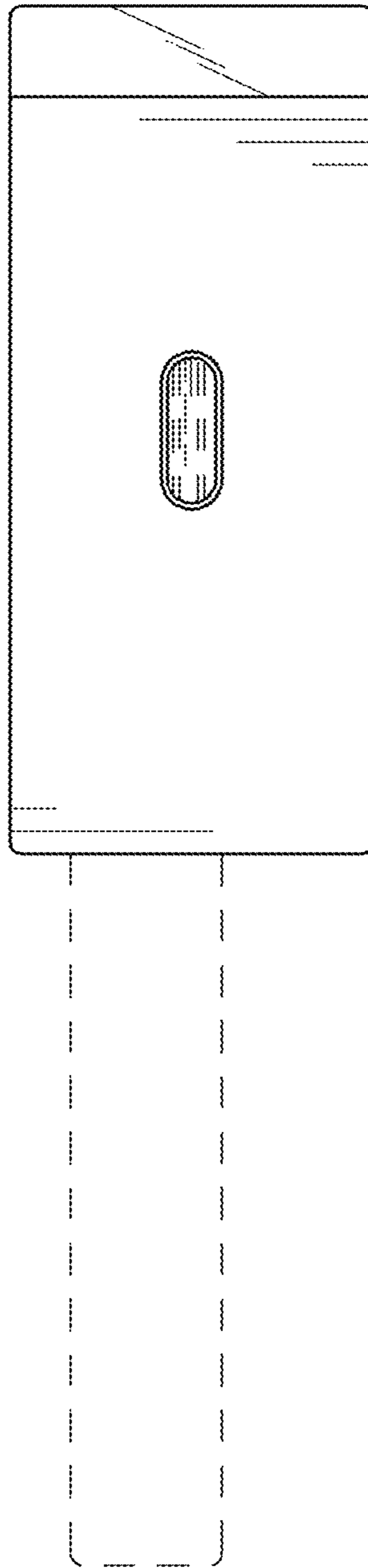


Fig. 6

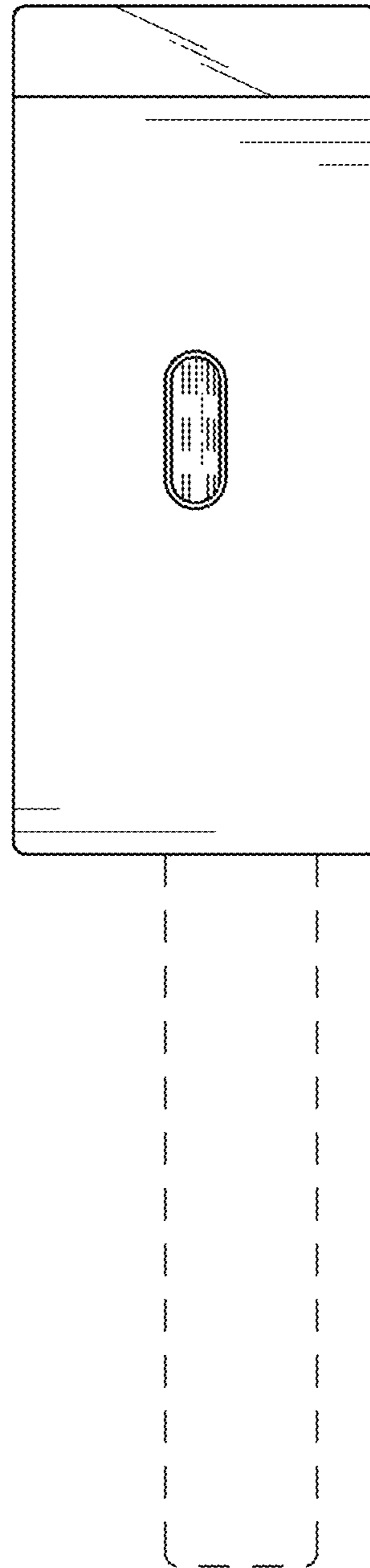


Fig.7

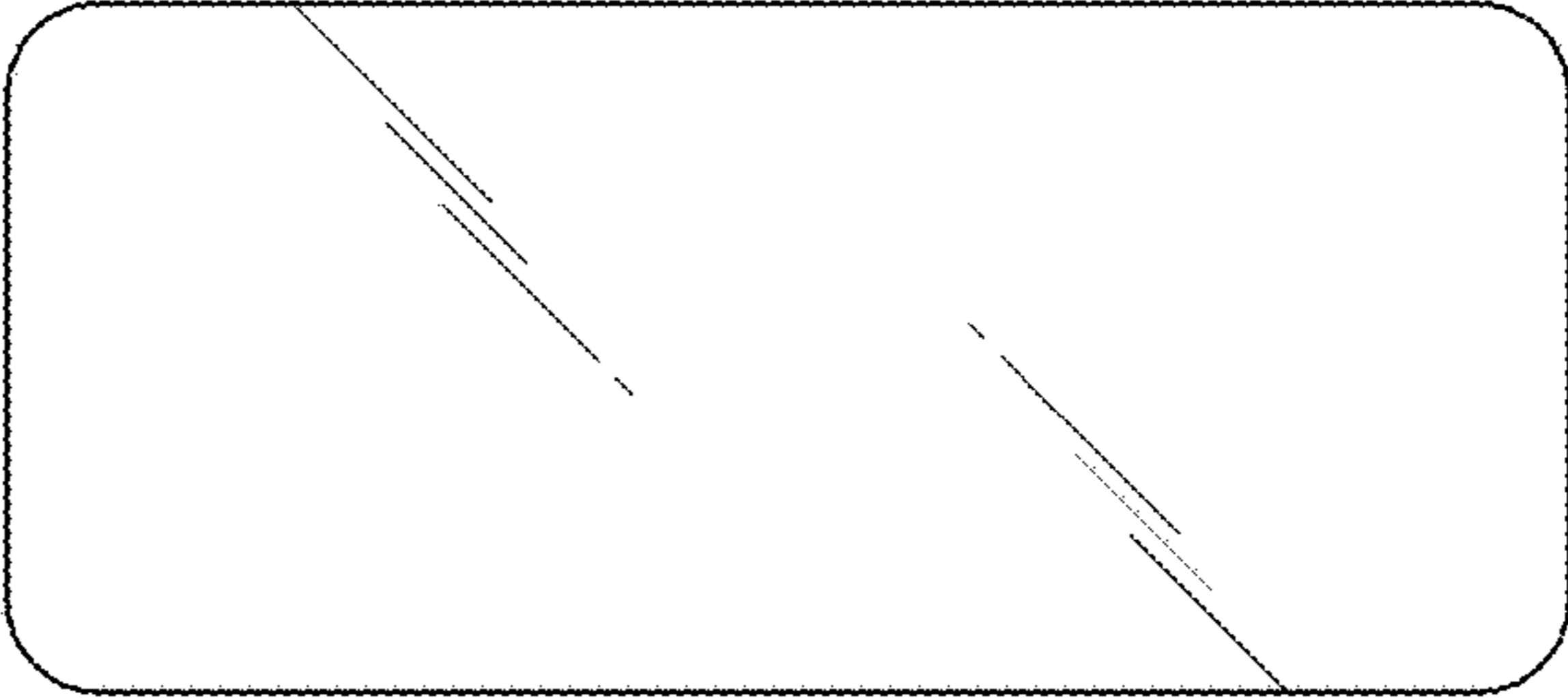




Fig. 8

