



US00D833301S

(12) **United States Design Patent**  
**Liu**

(10) **Patent No.:** **US D833,301 S**

(45) **Date of Patent:** **\*\* Nov. 13, 2018**

(54) **NESTING AND SHOCK ABSORBING PACKAGE**

(71) Applicant: **WESTERN DIGITAL TECHNOLOGIES, INC.**, Irvine, CA (US)

(72) Inventor: **Sichang Liu**, Irvine, CA (US)

(73) Assignee: **Western Digital Technologies, Inc.**, San Jose, CA (US)

(\*\*) Term: **15 Years**

(21) Appl. No.: **29/592,244**

(22) Filed: **Jan. 27, 2017**

(51) **LOC (11) Cl.** ..... **09-03**

(52) **U.S. Cl.**  
USPC ..... **D9/737**; D9/456

(58) **Field of Classification Search**  
USPC ..... D9/414, 420, 423–426, 432, 737, 456;  
206/44 R, 45.31, 45.33, 45.34, 553, 576,  
206/239, 426; 229/162, 100, 11, 16 D  
CPC ..... B65D 81/133; B65D 21/0233; B65D  
21/0223; B65D 21/0234; B65D 1/36;  
B65D 5/503; B65D 5/5035; B65D 71/70;  
B65D 81/022; B65D 81/025  
See application file for complete search history.

(56) **References Cited**

**U.S. PATENT DOCUMENTS**

- 2,585,180 A \* 2/1952 Smith ..... A47J 36/06  
206/508
- D229,036 S \* 11/1973 Joonase ..... D9/425
- D243,230 S \* 2/1977 Kleiner ..... D9/426
- D244,352 S \* 5/1977 Congleton ..... D9/425
- D250,172 S \* 11/1978 Retelny ..... D7/542
- 4,241,830 A \* 12/1980 Di Gesu' ..... B65D 71/70  
206/422
- 4,440,303 A \* 4/1984 Seager ..... B65D 1/36  
206/509

- 5,335,770 A \* 8/1994 Baker ..... B65D 5/503  
206/433
- 5,899,331 A \* 5/1999 Warren, Jr. .... B65D 71/70  
206/389
- 5,921,423 A \* 7/1999 Howell ..... A47G 23/06  
206/508
- 6,109,444 A \* 8/2000 Bagwell ..... B65D 81/133  
206/588
- D446,115 S \* 8/2001 Merrell ..... D9/425
- D470,053 S \* 2/2003 Gratz ..... D9/456

(Continued)

**OTHER PUBLICATIONS**

Paper Pulp Protective Packaging, available Jun. 26, 2014, [online], [site visited Sep. 1, 2018]. Available from internet, <URL: <https://www.dreamstime.com/stock-photo-paper-pulp-protective-packaging-recycled-white-background-image42187734> (Year: 2014).\*

(Continued)

*Primary Examiner* — Cathron C Brooks

*Assistant Examiner* — W. A. Teddy Falloway

(74) *Attorney, Agent, or Firm* — Knobbe, Martens, Olson & Bear LLP

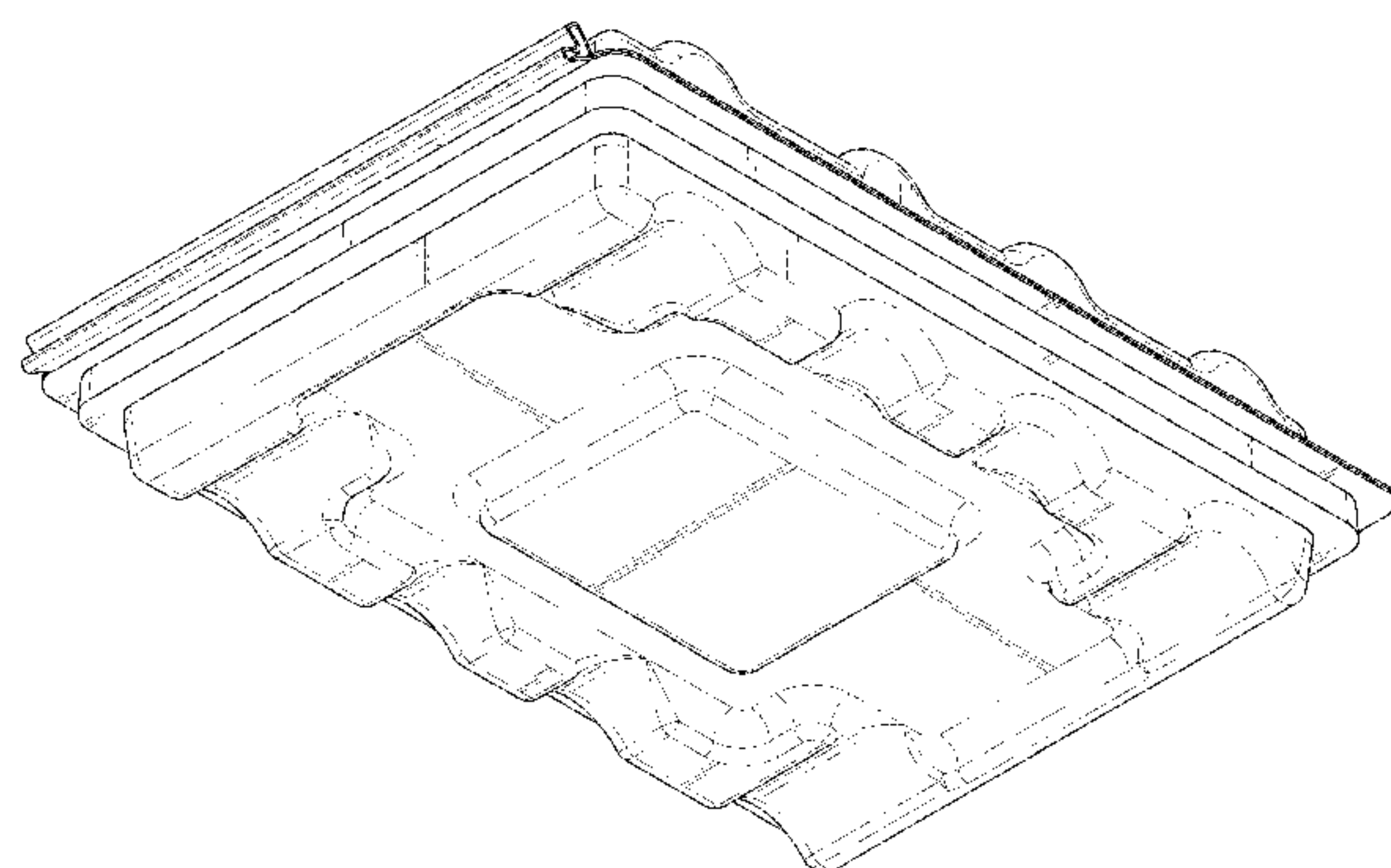
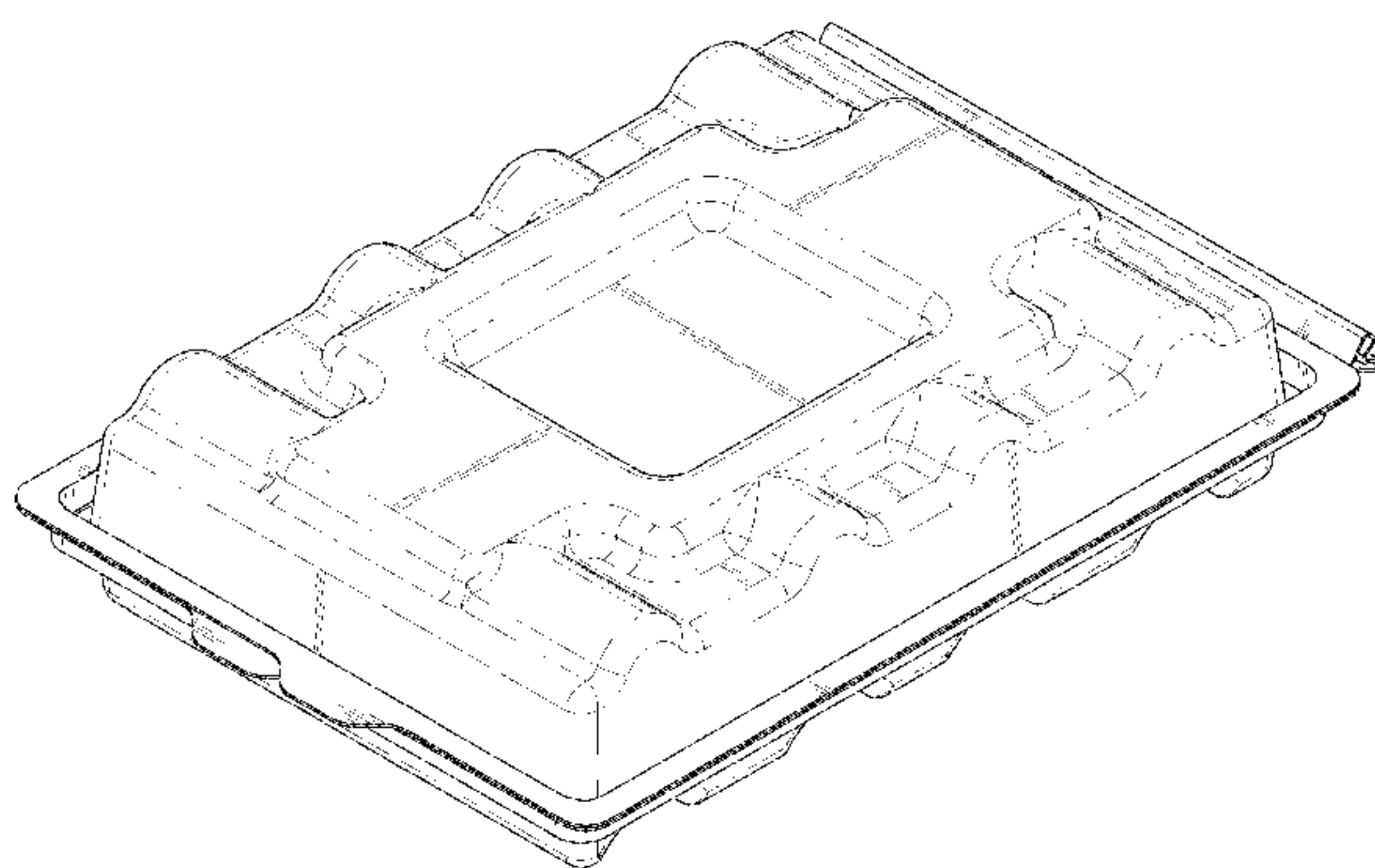
(57) **CLAIM**

The ornamental design for a nesting and shock absorbing package, as shown and described.

**DESCRIPTION**

FIG. 1 is a top, front and side isometric view of a nesting and shock absorbing package;  
FIG. 2 is a bottom, back and side isometric view thereof;  
FIG. 3 is a front view thereof;  
FIG. 4 is a back view thereof;  
FIG. 5 is a first side view thereof;  
FIG. 6 is a second side view thereof;  
FIG. 7 is a top view thereof; and,  
FIG. 8 is a bottom view thereof.

**1 Claim, 8 Drawing Sheets**



(56)

References Cited

U.S. PATENT DOCUMENTS

6,820,743 B2 \* 11/2004 Hurley ..... B65D 81/133  
 206/427  
 D520,882 S \* 5/2006 Vovan ..... D9/761  
 D526,193 S \* 8/2006 Heath ..... D9/425  
 7,237,675 B2 \* 7/2007 O'Malley ..... B65D 71/70  
 206/431  
 D569,242 S \* 5/2008 Flamand ..... D9/420  
 D587,106 S \* 2/2009 Garrett ..... D9/415  
 D629,310 S \* 12/2010 Tran ..... D9/418  
 8,083,084 B2 \* 12/2011 Vovan ..... B65D 21/0234  
 206/508  
 8,146,762 B2 \* 4/2012 Leoncavallo ..... A61J 1/16  
 206/508  
 D663,205 S \* 7/2012 Nelson ..... D9/456  
 D663,206 S \* 7/2012 Nelson ..... D9/456  
 8,490,794 B2 \* 7/2013 Kalin ..... A61J 1/03  
 206/468  
 D743,250 S \* 11/2015 Kikuhara ..... D9/425  
 D764,273 S \* 8/2016 Klag ..... D7/602  
 D795,704 S \* 8/2017 Tanus ..... D9/456  
 D796,954 S \* 9/2017 Lun ..... D9/456  
 D799,341 S \* 10/2017 Tanus ..... D9/737  
 D801,804 S \* 11/2017 McCune ..... D9/424  
 D810,585 S \* 2/2018 Kim ..... D9/737

2001/0006153 A1 \* 7/2001 Merrell ..... B65D 43/162  
 206/721  
 2003/0070959 A1 \* 4/2003 Maresh ..... B65D 5/5035  
 206/591  
 2003/0205498 A1 \* 11/2003 Maresh ..... B65D 5/5069  
 206/592  
 2006/0274493 A1 \* 12/2006 Richardson ..... G06F 1/1626  
 361/679.4  
 2010/0126903 A1 \* 5/2010 Smith ..... B65D 81/05  
 206/589  
 2018/0215504 A1 \* 8/2018 Liu ..... B65D 11/20  
 2018/0215529 A1 \* 8/2018 Bergeron ..... B65D 85/08

OTHER PUBLICATIONS

Eco Friendly Pulp Packaging for Western Digital, available Sep. 1, 2018, [online], [site visited Aug. 31, 2018]. Available from internet, <URL: <https://www.packaging.jjsea.com/PageDisplay.aspx?aid=24E2031C-2C6E-44E0-BF7A-67303E9807D2&action=ShowStoryDetail&id=719987c5-1911-4bf6-8ec1-f923c590582e> (Year: 2018).\*

Pulp—the green packaging alternative, available May 31, 2013, [online], [site visited Sep. 1, 2018]. Available from internet, <URL: <https://lessbydesign.org/2013/05/31/pulp-the-green-packaging-alternative/> (Year: 2013).\*

\* cited by examiner

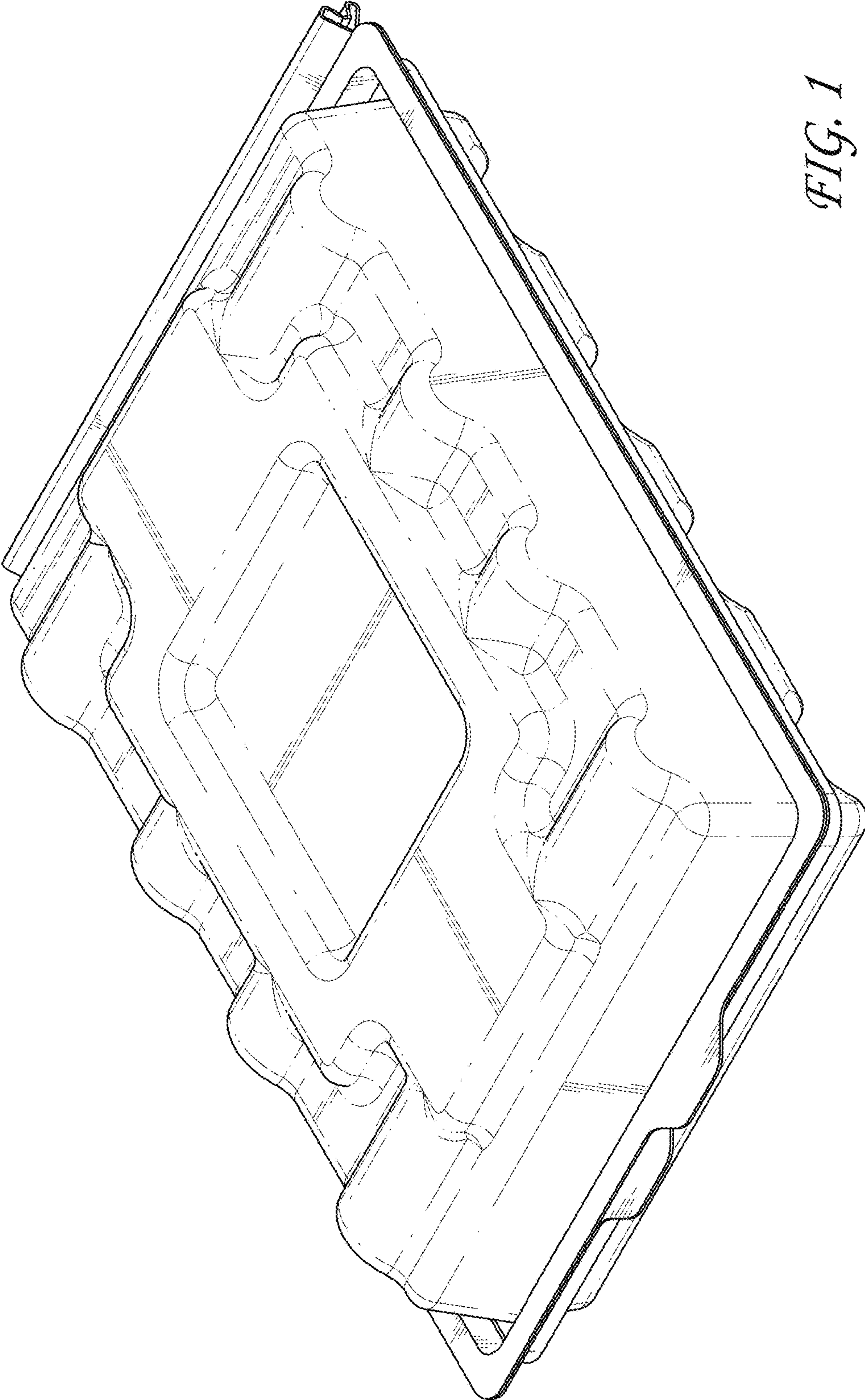


FIG. 1



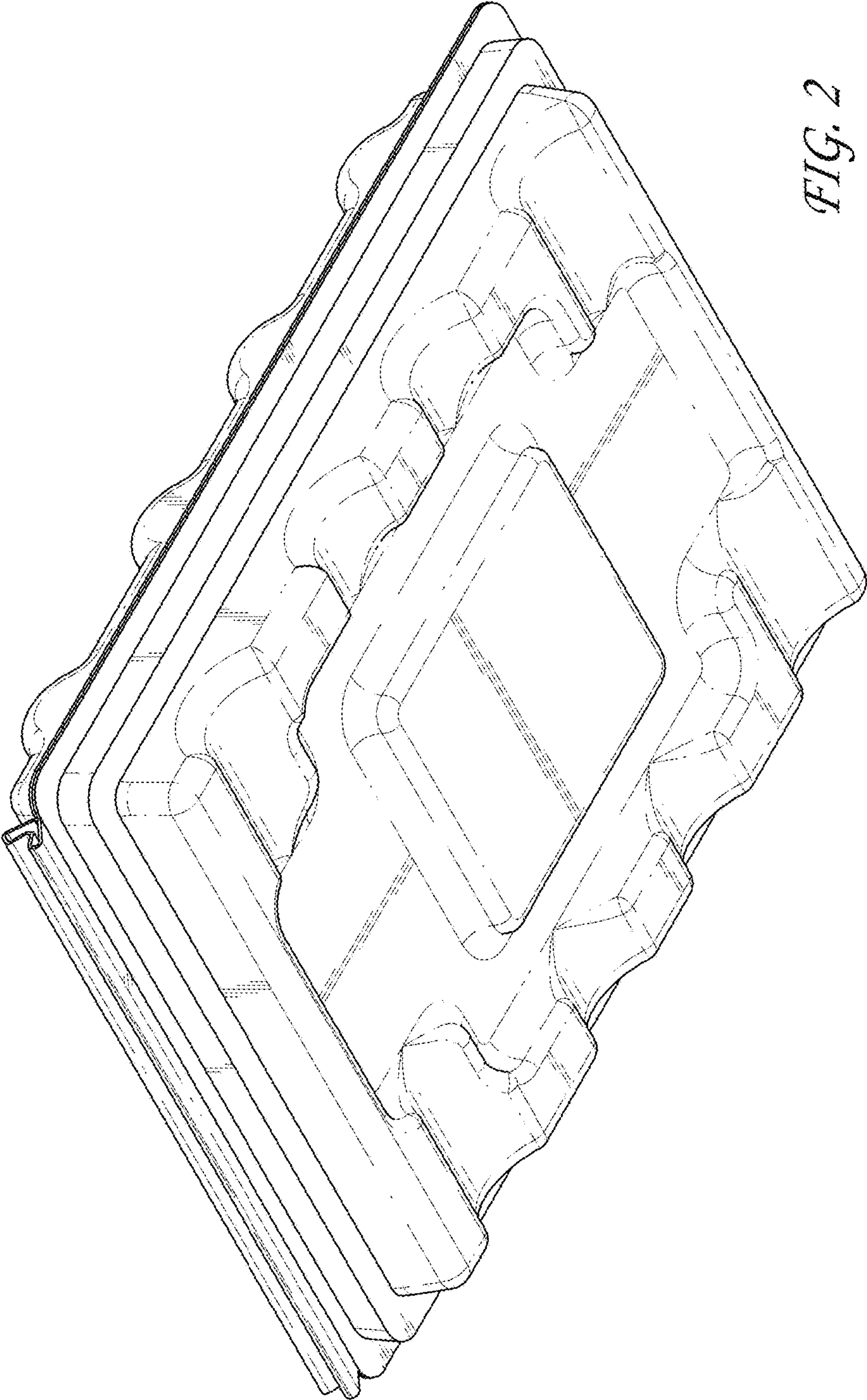
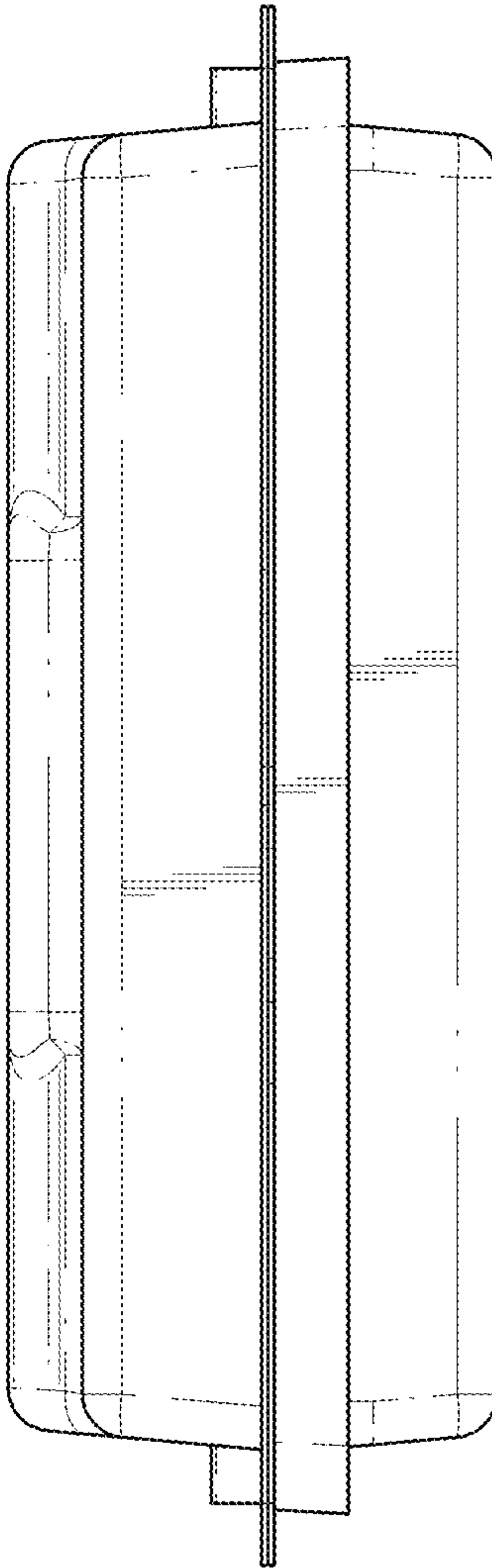
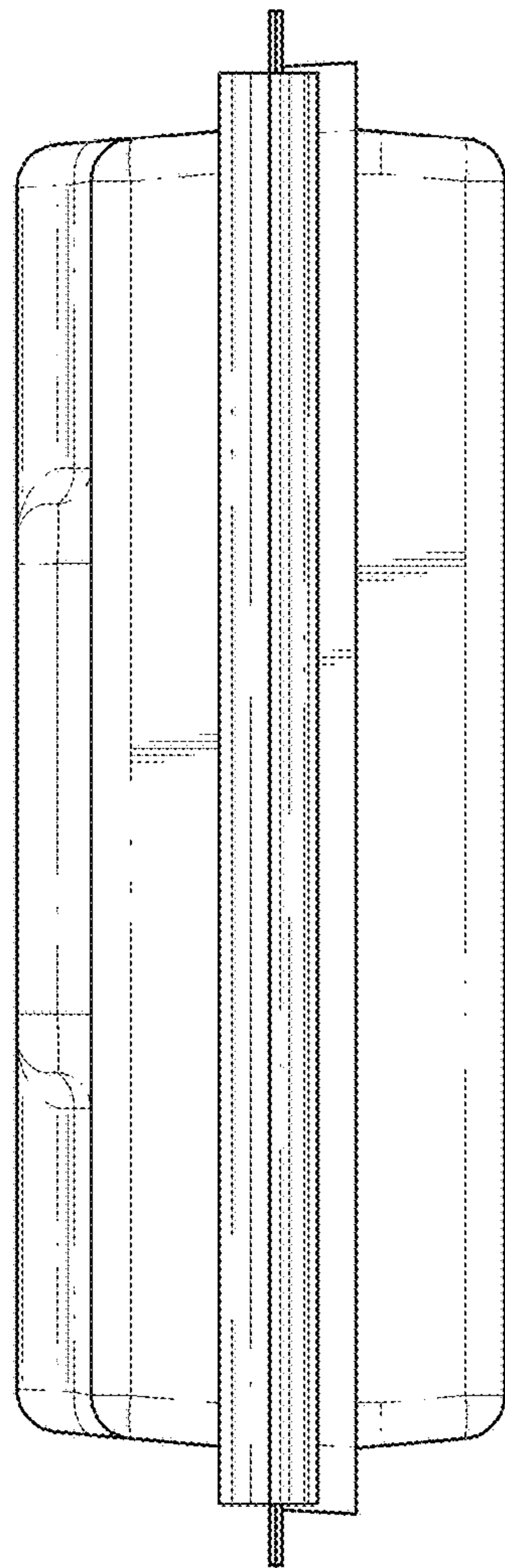


FIG. 2



*FIG. 3*



*FIG. 4*

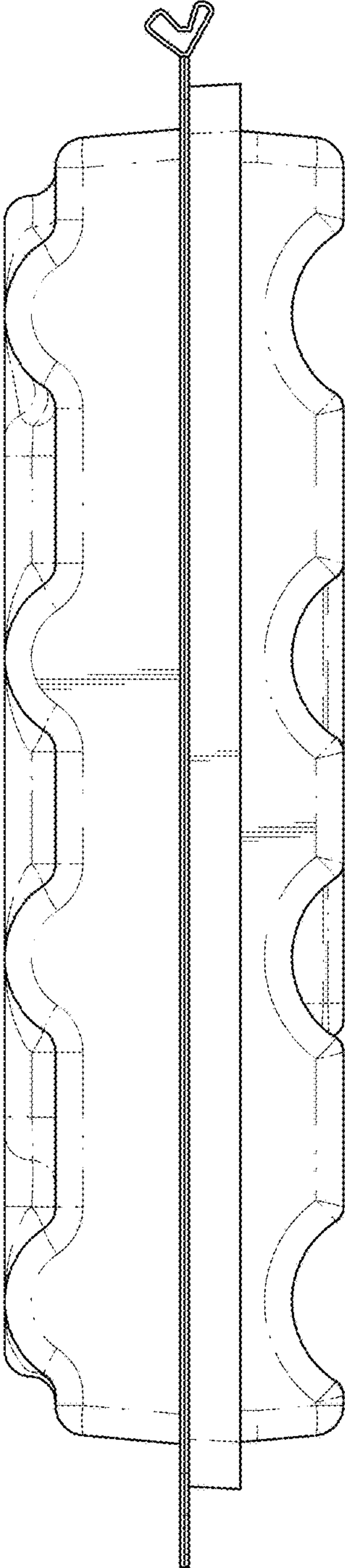
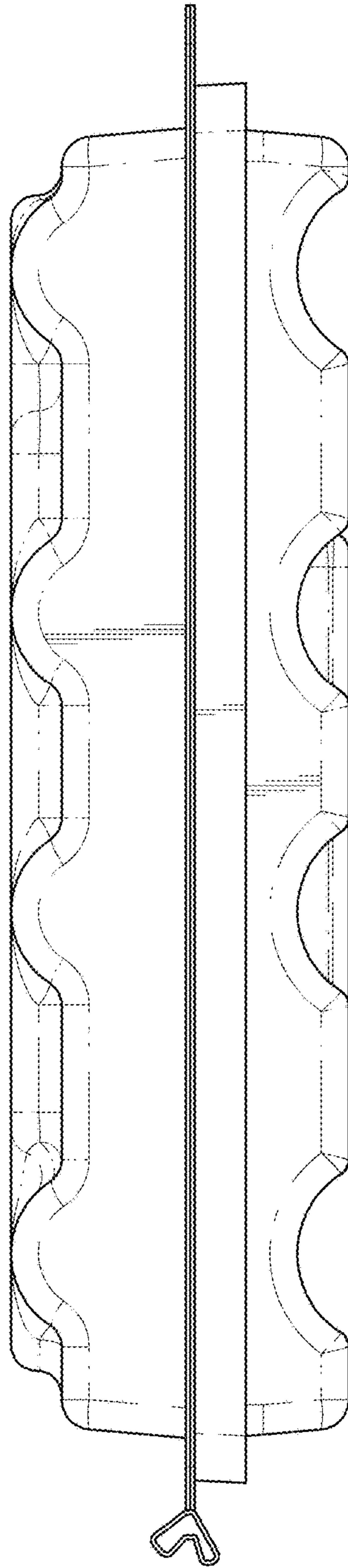


FIG. 5



*FIG. 6*



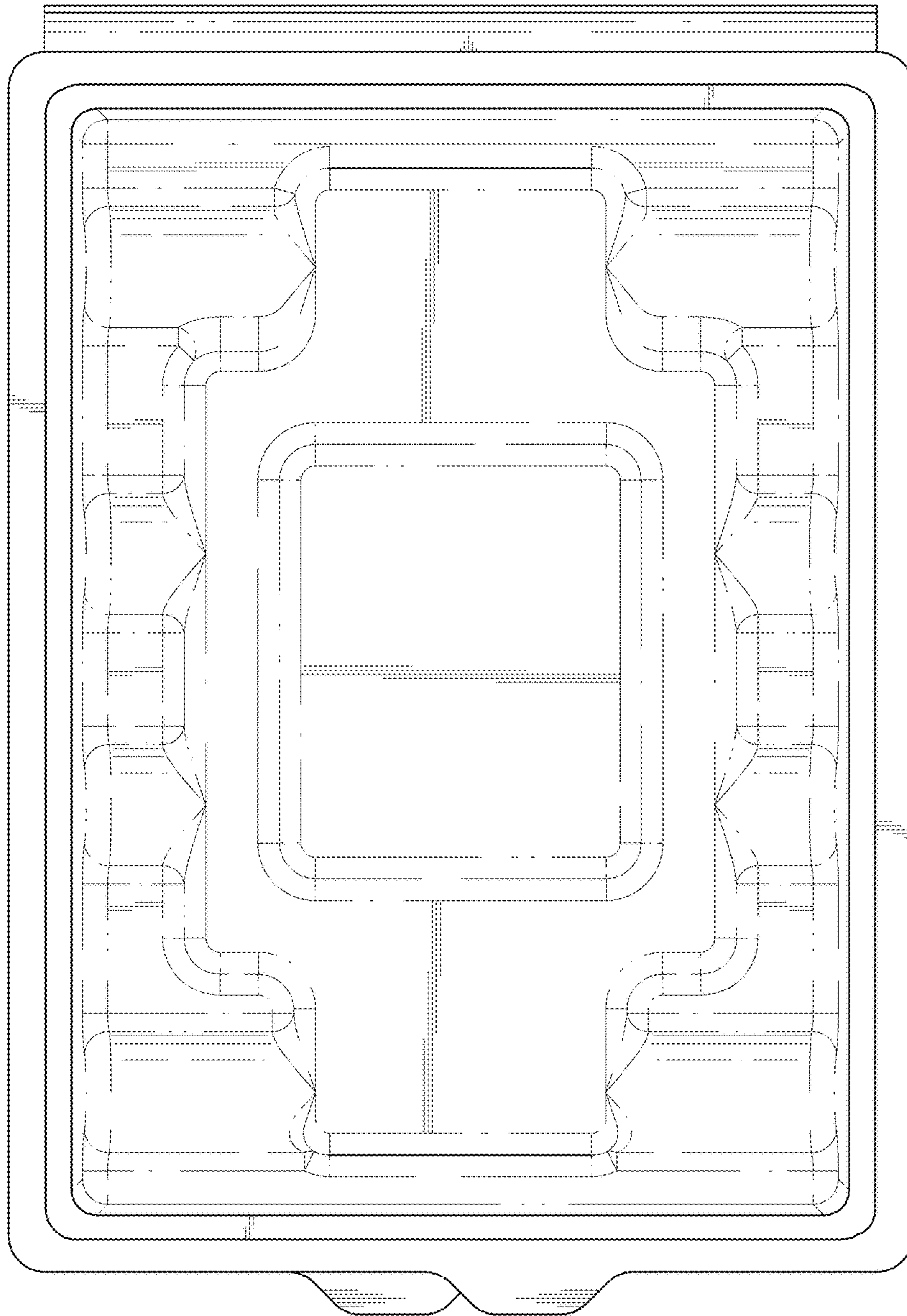


FIG. 7

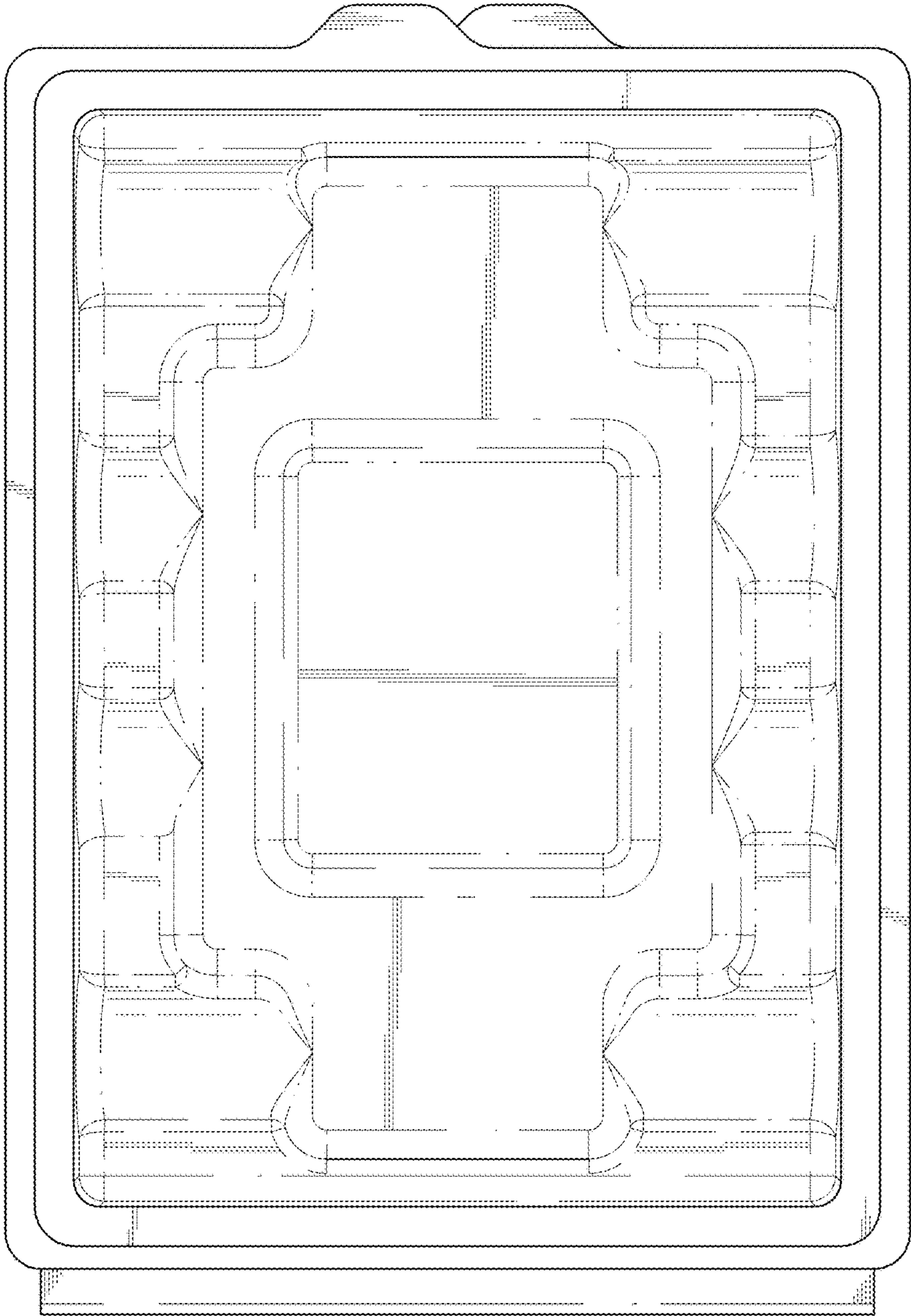


FIG. 8