



US00D833300S

(12) **United States Design Patent**  
**Sahatjian**

(10) **Patent No.:** **US D833,300 S**

(45) **Date of Patent:** **\*\* Nov. 13, 2018**

(54) **RESEALABLE POUCH CONTAINER**

(71) Applicant: **Sarine Sahatjian**, Simi Valley, CA  
(US)

(72) Inventor: **Sarine Sahatjian**, Simi Valley, CA  
(US)

(\*\*) Term: **15 Years**

(21) Appl. No.: **29/626,054**

(22) Filed: **Nov. 14, 2017**

(51) **LOC (11) Cl.** ..... **09-05**

(52) **U.S. Cl.**  
USPC ..... **D9/709**

(58) **Field of Classification Search**  
USPC ..... D9/702-714, 720-722, 414, 434-435,  
D9/696, 716, 771, 447, 516-517,  
D9/738-747, 544, 520-521; D24/118,  
D24/207, 108; 383/6, 9, 22, 96, 61.1,  
383/80-81, 104, 901, 63, 203, 107,  
383/119-120, 123, 61.2, 44; 220/675,  
220/495.03; 215/381-385, 400, 328, 316;  
206/484; D3/202; 428/34.3; 222/92,  
222/215, 95, 107; 604/408, 403, 415  
CPC ... B65D 1/00; B65D 1/02; B65D 1/09; B65D  
1/10; B65D 1/32; B65D 1/0223; B65D  
33/00; B65D 33/24  
See application file for complete search history.

(56) **References Cited**

**U.S. PATENT DOCUMENTS**

D407,640 S \* 4/1999 Nelson ..... D28/8.1  
D436,129 S \* 1/2001 Fujihara ..... D19/67

D445,673 S \* 7/2001 Richardson ..... D28/8.1  
D445,674 S \* 7/2001 Pritchett ..... D28/8.1  
D578,019 S \* 10/2008 Friedland ..... D9/707  
D606,882 S \* 12/2009 Sharp ..... D9/707  
D655,201 S \* 3/2012 Schuch ..... D9/707  
D685,029 S \* 6/2013 Cooper ..... D19/69  
D699,127 S \* 2/2014 Garrity ..... D9/707  
D768,007 S \* 10/2016 Kim ..... D9/710

\* cited by examiner

*Primary Examiner* — Abraham Bahta  
(74) *Attorney, Agent, or Firm* — Hankin Patent Law,  
APC; Kevin Schraven; Anooj Patel

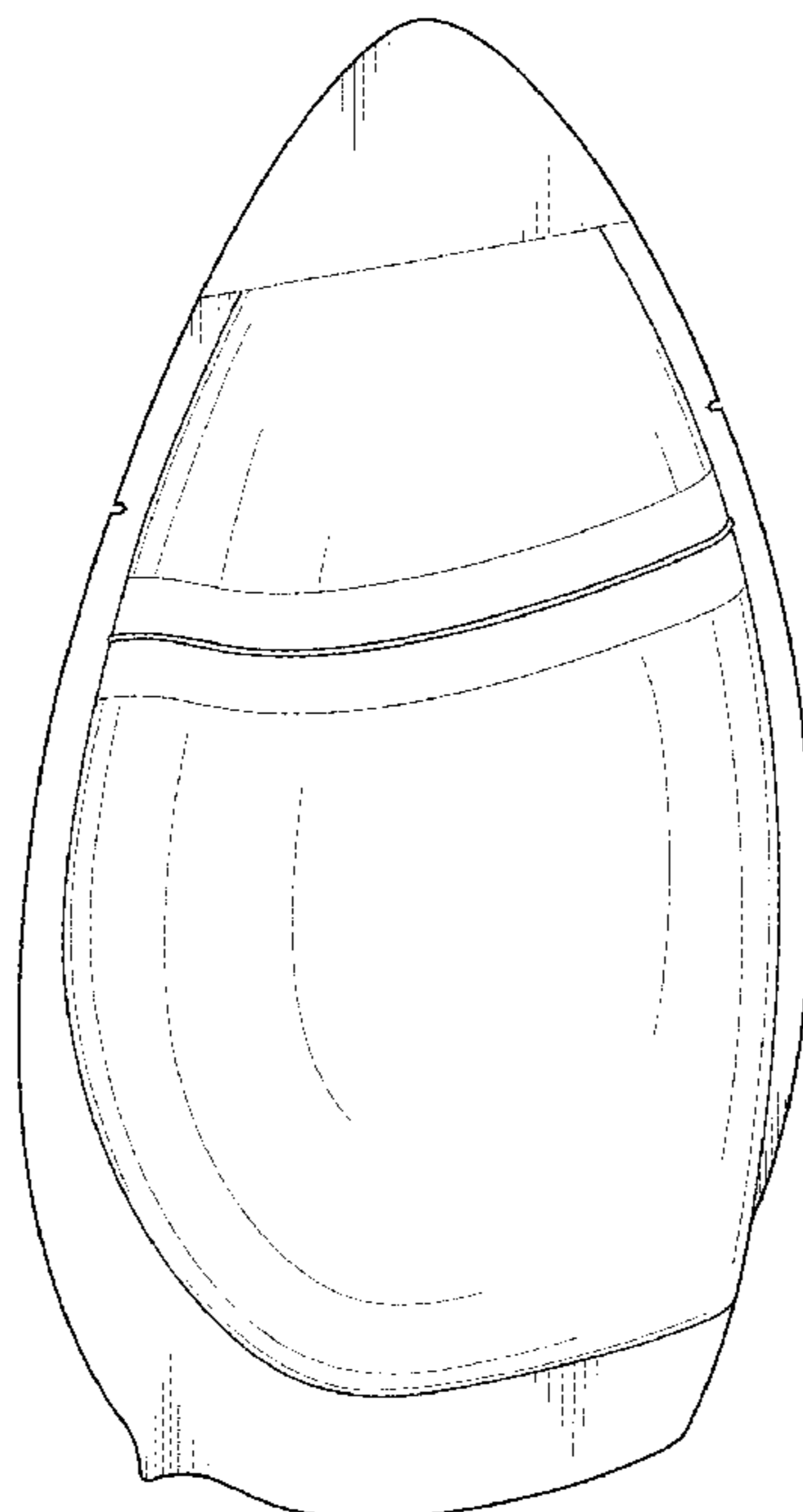
(57) **CLAIM**

The ornamental design for a resealable pouch container, as shown and described.

**DESCRIPTION**

FIG. 1 is a top perspective view of a resealable pouch container, showing my new design.  
FIG. 2 is a bottom perspective view thereof.  
FIG. 3 is a back elevational view thereof.  
FIG. 4 is a front elevational view thereof.  
FIG. 5 is a right side elevational view thereof.  
FIG. 6 is a left side elevational view thereof.  
FIG. 7 is a top plan view thereof; and,  
FIG. 8 is a bottom plan view thereof.  
The broken lines are for the purpose of illustrating a tear line and unclaimed subject matter and form no part of the claimed design.

**1 Claim, 8 Drawing Sheets**



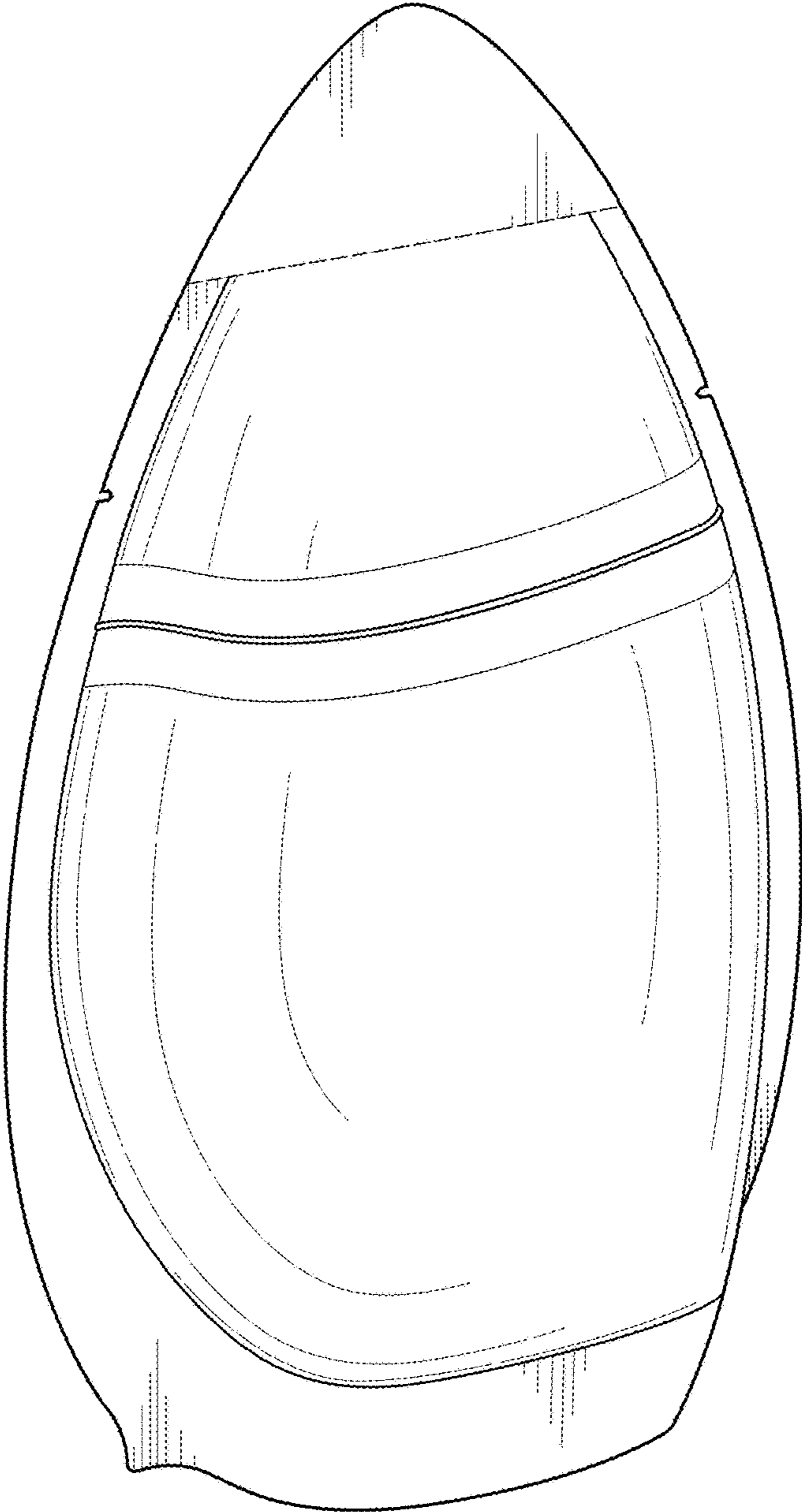


Fig. 1

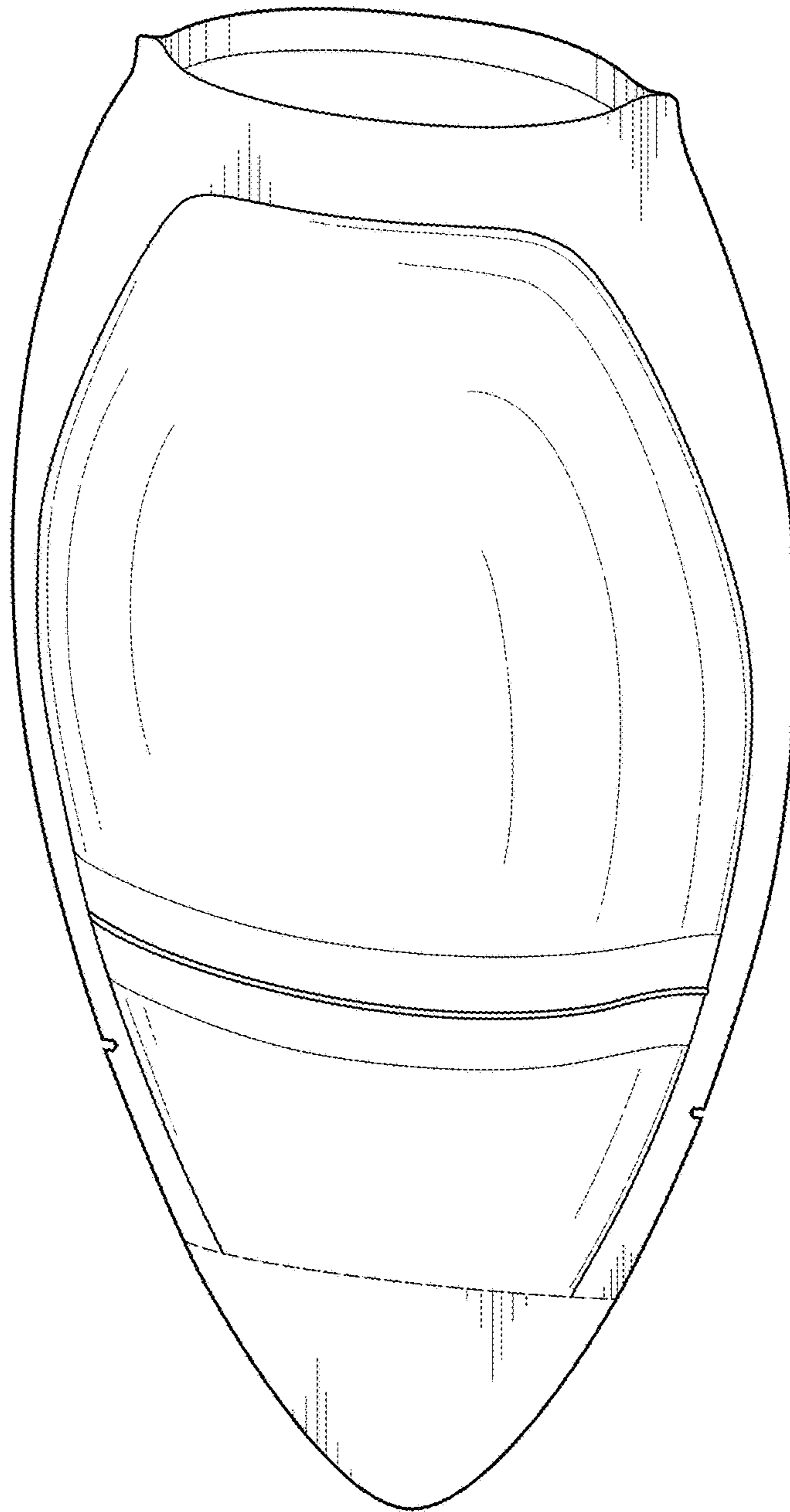


Fig.2

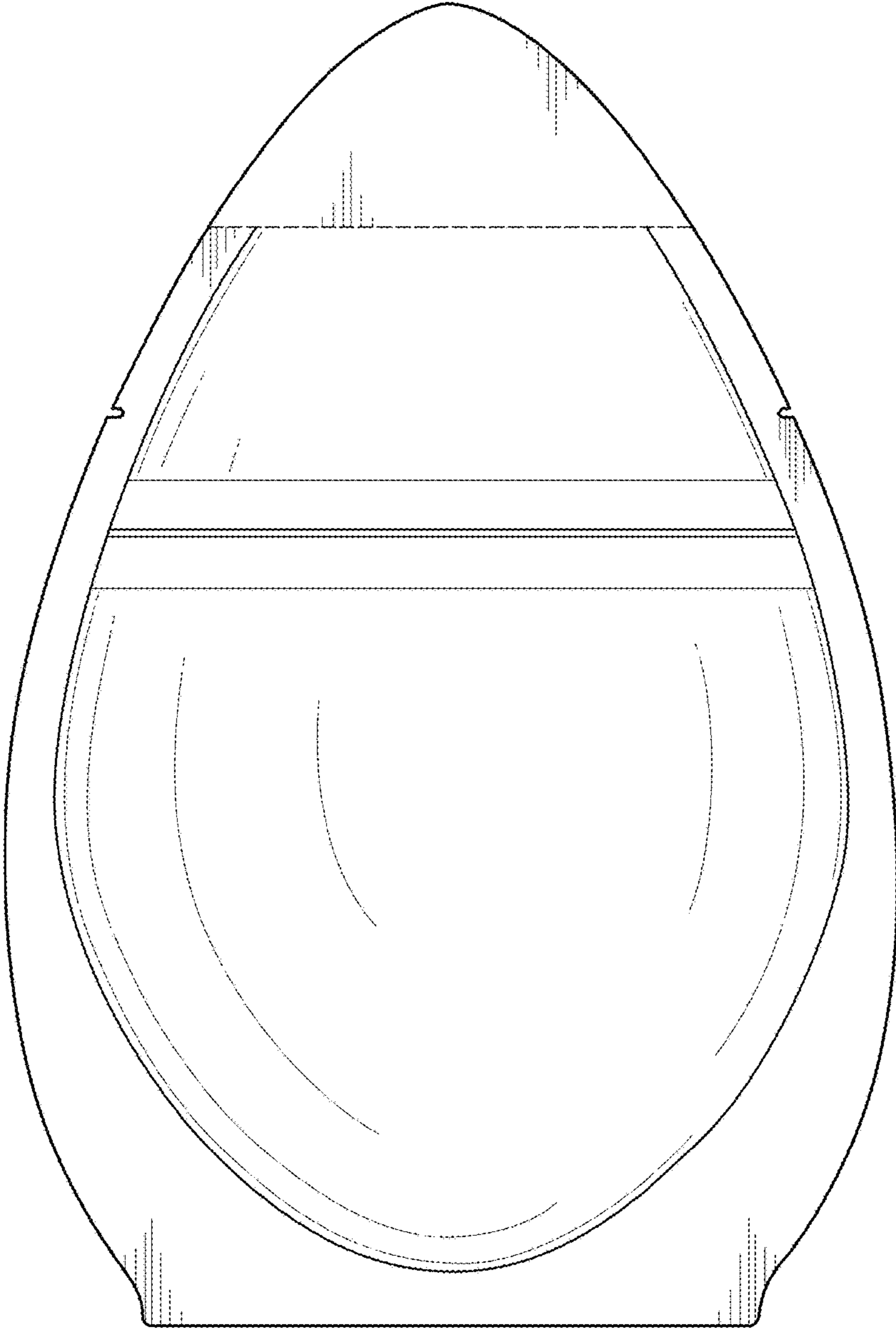


Fig.3

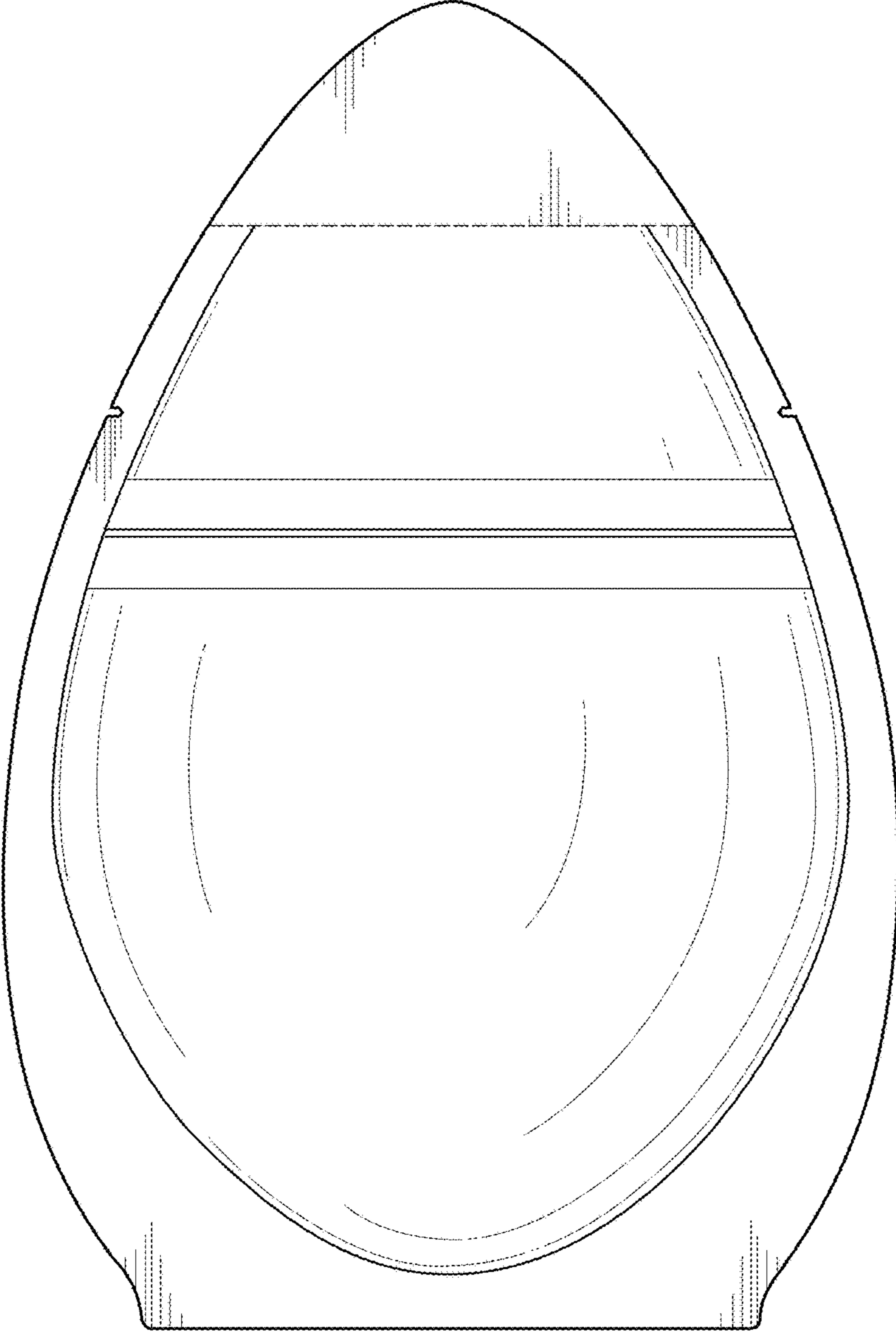


Fig.4

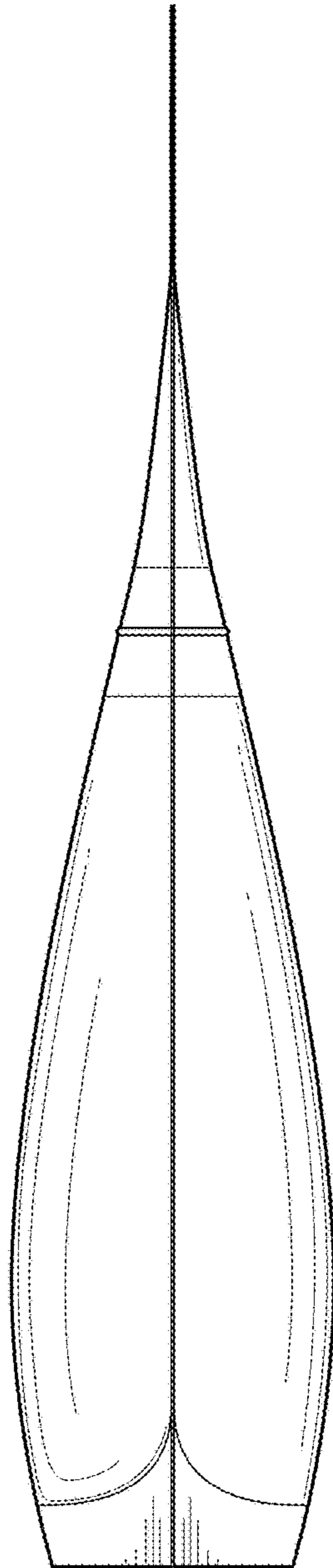


Fig. 5

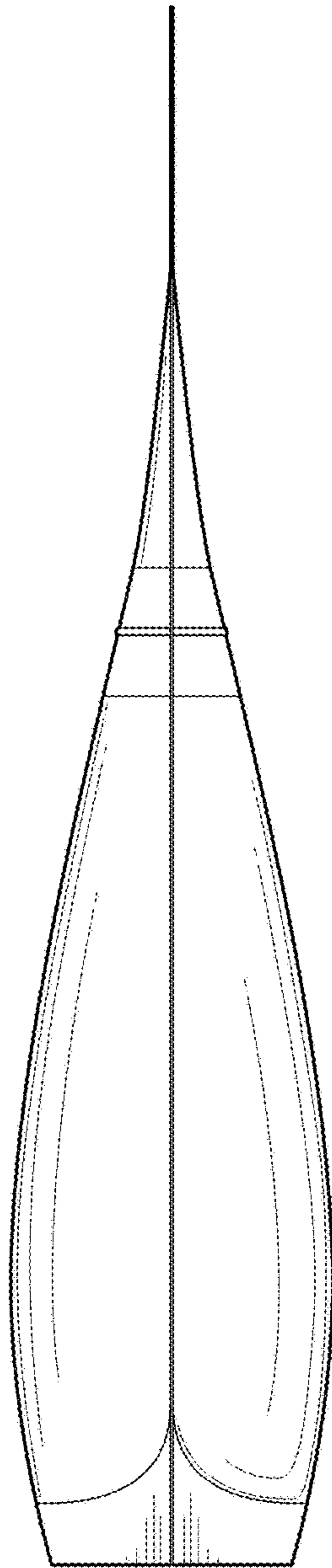


Fig.6

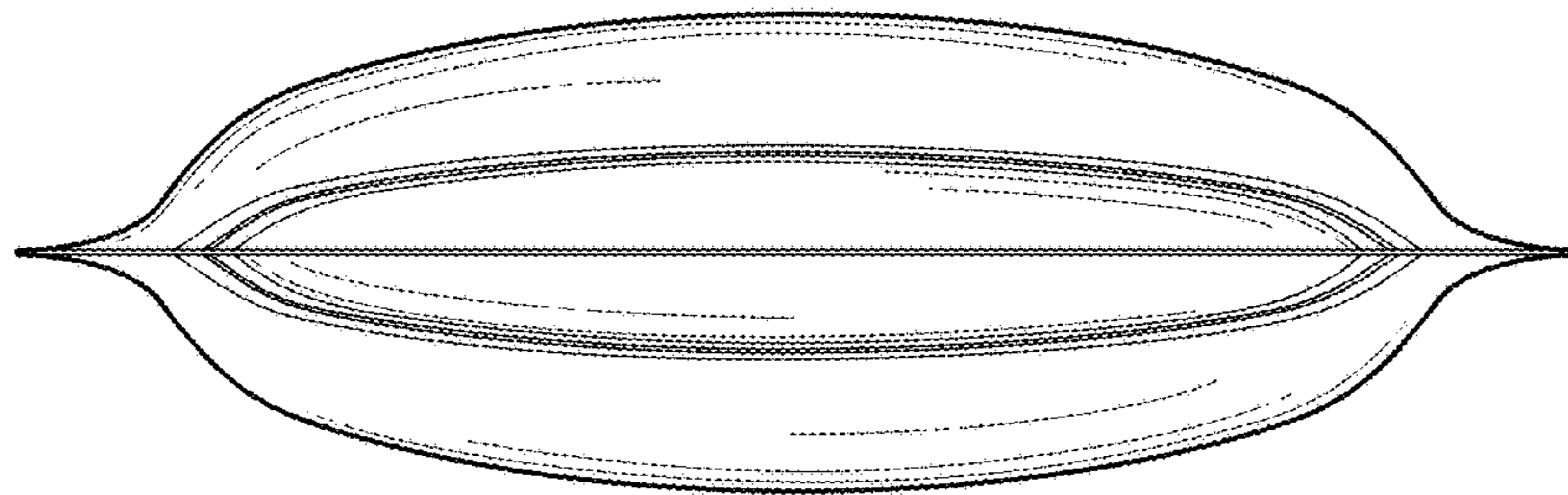


Fig.7



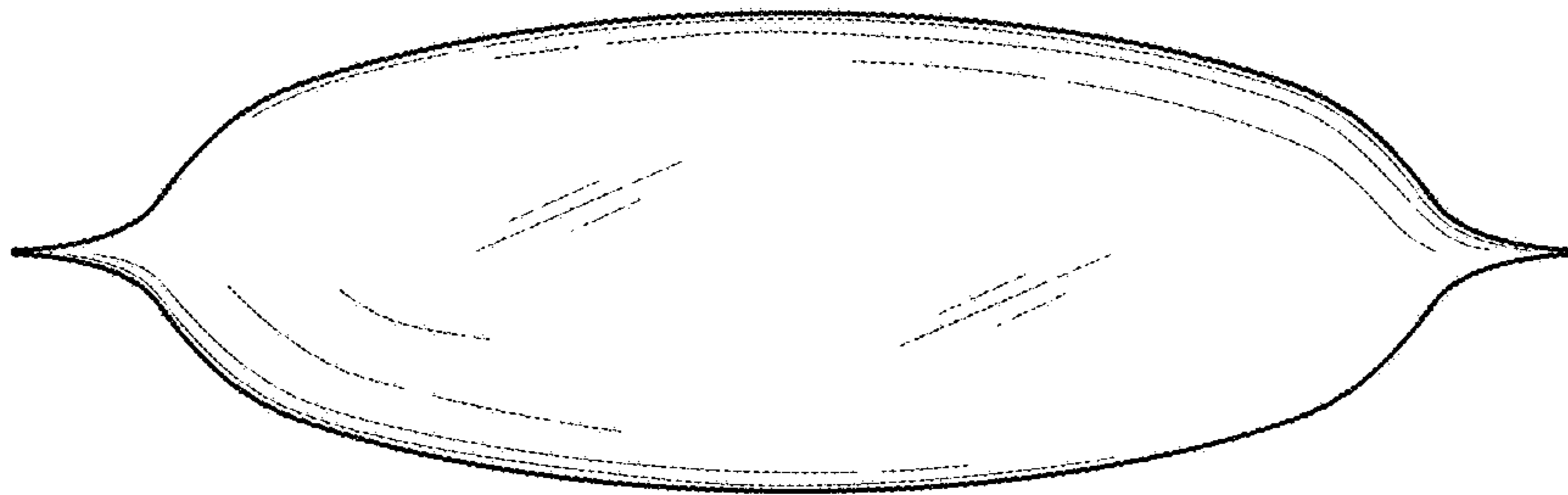


Fig. 8