



US00D833298S

(12) **United States Design Patent**
Sale et al.

(10) **Patent No.:** **US D833,298 S**
(45) **Date of Patent:** **** Nov. 13, 2018**

(54) **BAG HAVING TOP AND BOTTOM DRAWSTRINGS**

(71) Applicants: **Mark D. Sale**, Kailua Kona, HI (US);
Tara J. Saville, Kailua Kona, HI (US);
Jay B. Paulson, Kailua Kona, HI (US)

(72) Inventors: **Mark D. Sale**, Kailua Kona, HI (US);
Tara J. Saville, Kailua Kona, HI (US);
Jay B. Paulson, Kailua Kona, HI (US)

(73) Assignee: **Baldwin Barlow & Baring Inc.**, Kailua Kona, HI (US)

(**) Term: **15 Years**

(21) Appl. No.: **29/613,150**

(22) Filed: **Aug. 8, 2017**

Related U.S. Application Data

(63) Continuation-in-part of application No. 13/601,924, filed on Aug. 31, 2012, which is a continuation-in-part of application No. 13/176,737, filed on Jun. 5, 2011, now Pat. No. 8,790,009.

(51) **LOC (11) Cl.** **09-05**

(52) **U.S. Cl.**
USPC **D9/706**

(58) **Field of Classification Search**
USPC D9/702-714, 719, 738-740, 517-518, D9/522, 416, 435, 444, 460, 455, 414, D9/499, 431-432; D7/560-562; 206/434, 426-427, 429-430, 485, 485.1, 206/499, 508, 431, 418-422, 588-594; 229/117.3, 185, 121, 122, 200, 207, 236, 229/87.01; 220/23.83; 150/100-118; 294/137, 152; 383/6, 10, 14, 20, 40, 33, 383/104-105, 117, 108, 120, 93, 121.1, 383/127; 428/34.3

CPC B65D 33/00; B65D 33/06; B65D 33/065; B65D 33/14; B65D 33/1683; B65D 33/12; B65D 31/00; B65D 31/04; B65D 31/10; A45C 3/04; A45C 3/10
See application file for complete search history.

(56) **References Cited**

U.S. PATENT DOCUMENTS

4,445,230 A * 4/1984 Spadaro B65D 33/1608 383/26
4,842,421 A * 6/1989 Bullard B65D 33/20 383/61.4
5,006,380 A * 4/1991 Fraser B32B 27/32 428/35.2

(Continued)

Primary Examiner — Abraham Bahta

(74) *Attorney, Agent, or Firm* — Sean D. Burdick

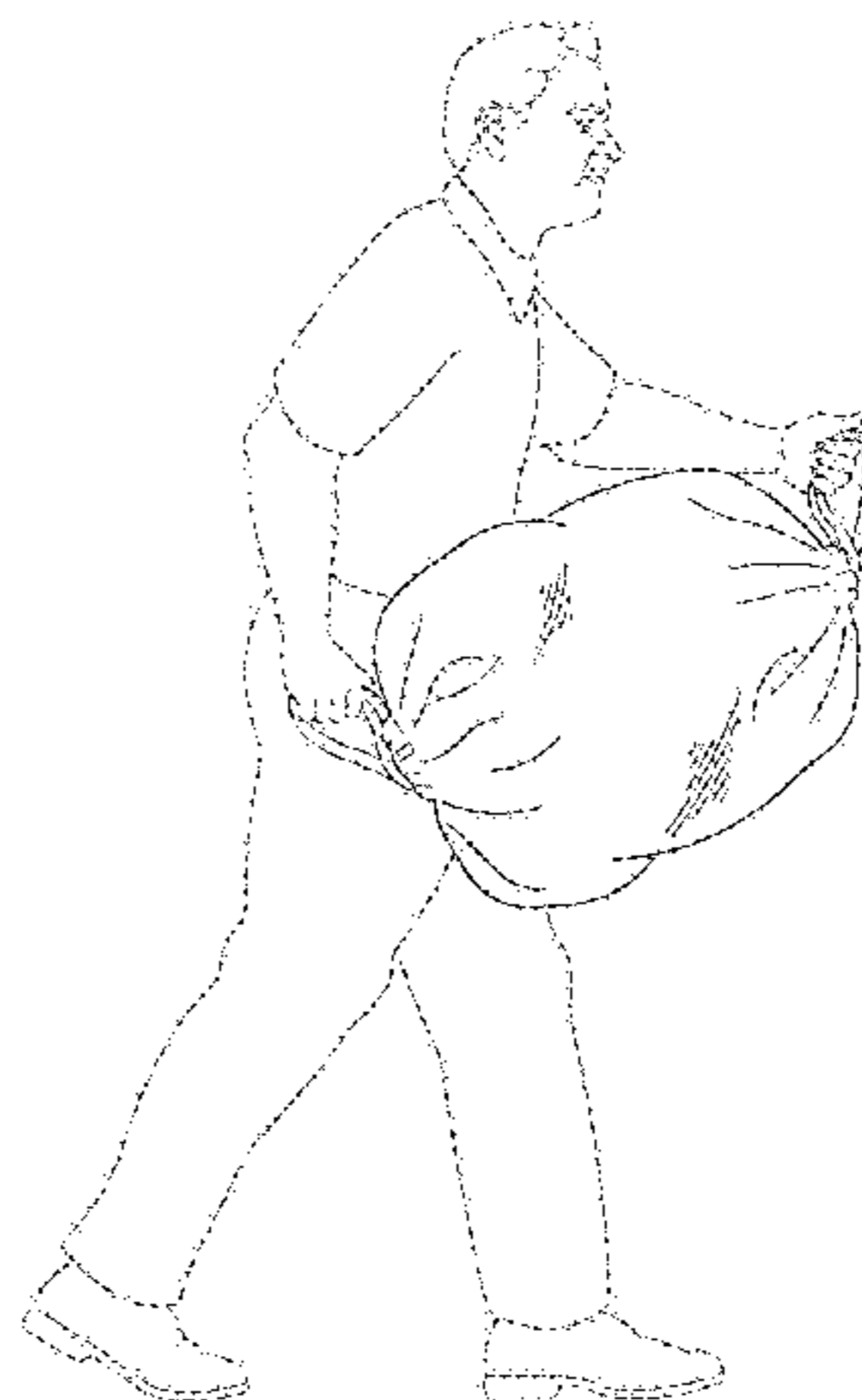
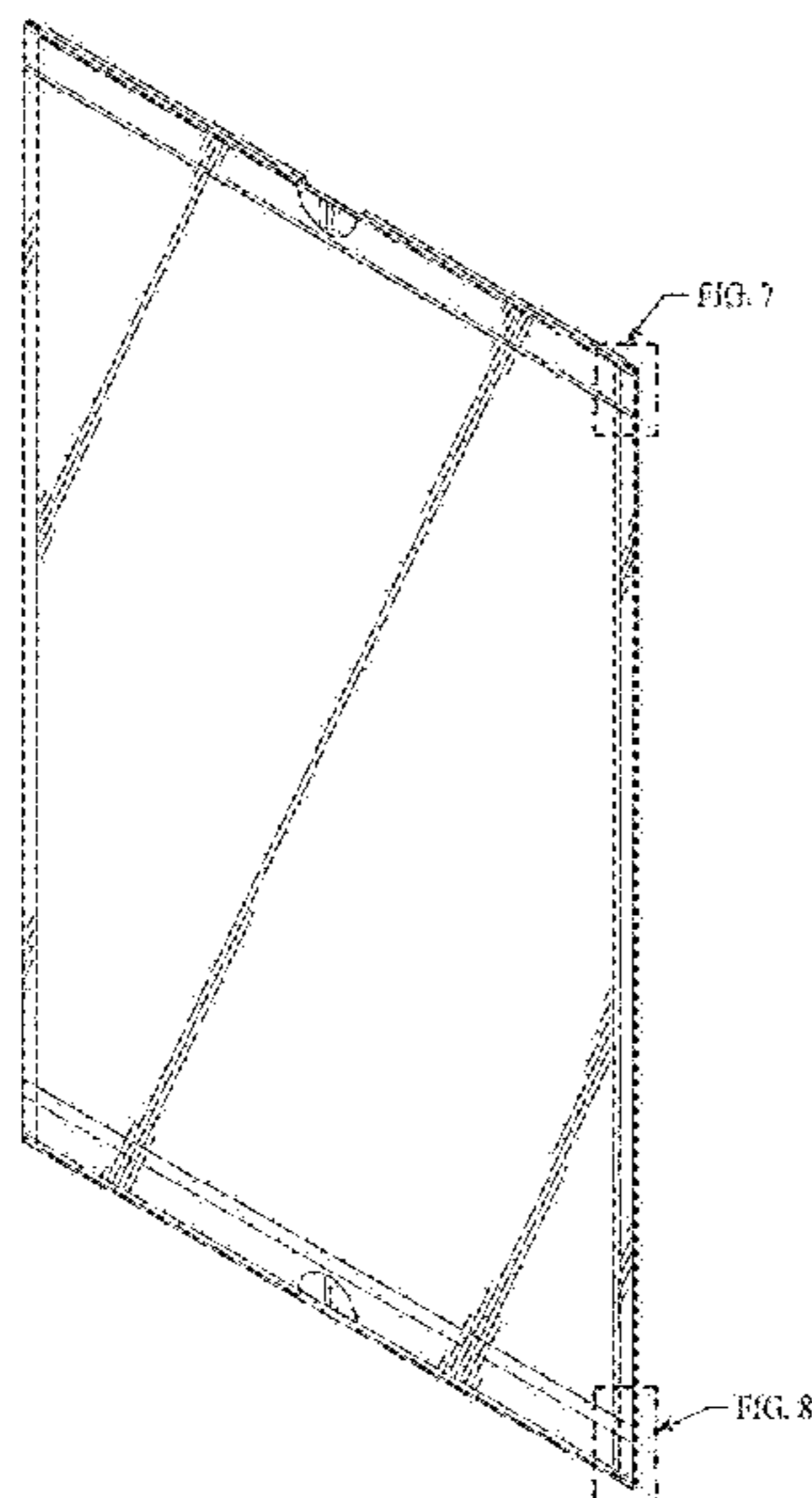
(57) **CLAIM**

The ornamental design for a bag having top and bottom drawstrings, as shown and described.

DESCRIPTION

FIG. 1 is a front perspective view of a bag having top and bottom drawstrings, showing our new design.
FIG. 2 is a front elevation view thereof.
FIG. 3 is a rear elevation view thereof.
FIG. 4 is a right or left side view thereof.
FIG. 5 is a top view thereof.
FIG. 6 is a bottom view thereof.
FIG. 7 is a detail view of the top right corner of FIG. 1.
FIG. 8 is a detail view of the lower right corner of FIG. 1.
FIG. 9 is a perspective view showing our new design in a state of use; and,
FIG. 10 is another perspective view showing our new design in a state of use.
The broken line showing of a rectangle is included for the purpose of illustrating the detail of the top and lower right corners of the bag and forms no part of the claimed design.

1 Claim, 6 Drawing Sheets



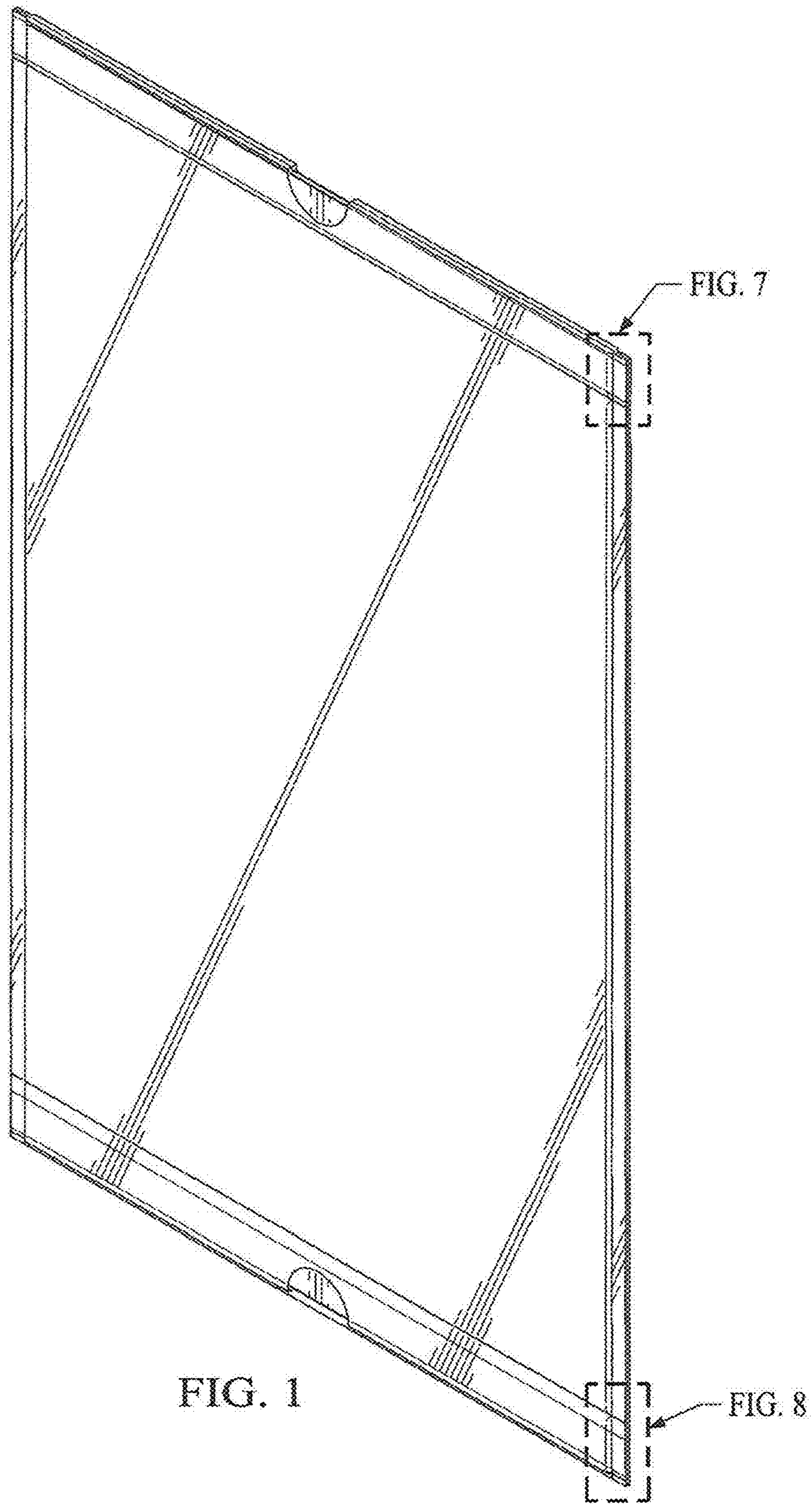
(56)

References Cited

U.S. PATENT DOCUMENTS

6,561,696	B1 *	5/2003	Rusnak	B65D 33/28 383/75
D661,997	S *	6/2012	Wilcoxon	D9/703
D671,424	S *	11/2012	Hoying	D9/703
8,657,495	B2 *	2/2014	Maxwell	B65F 1/002 383/53
8,790,009	B2 *	7/2014	Saville	B65D 31/04 383/10
D727,747	S *	4/2015	Hoying	D9/703
D806,559	S *	1/2018	Kent	B65F 1/0006 D9/706

* cited by examiner



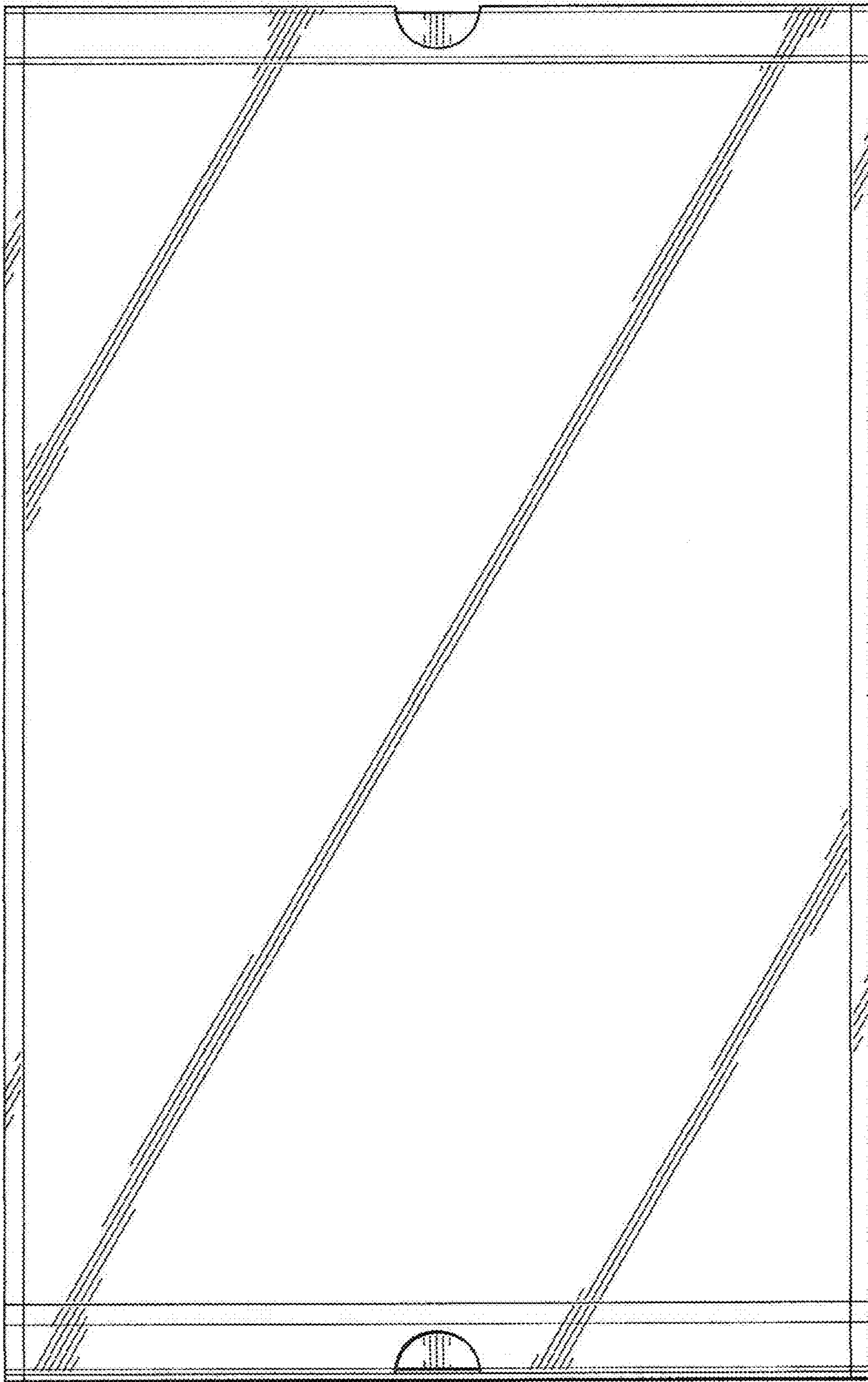


FIG. 2

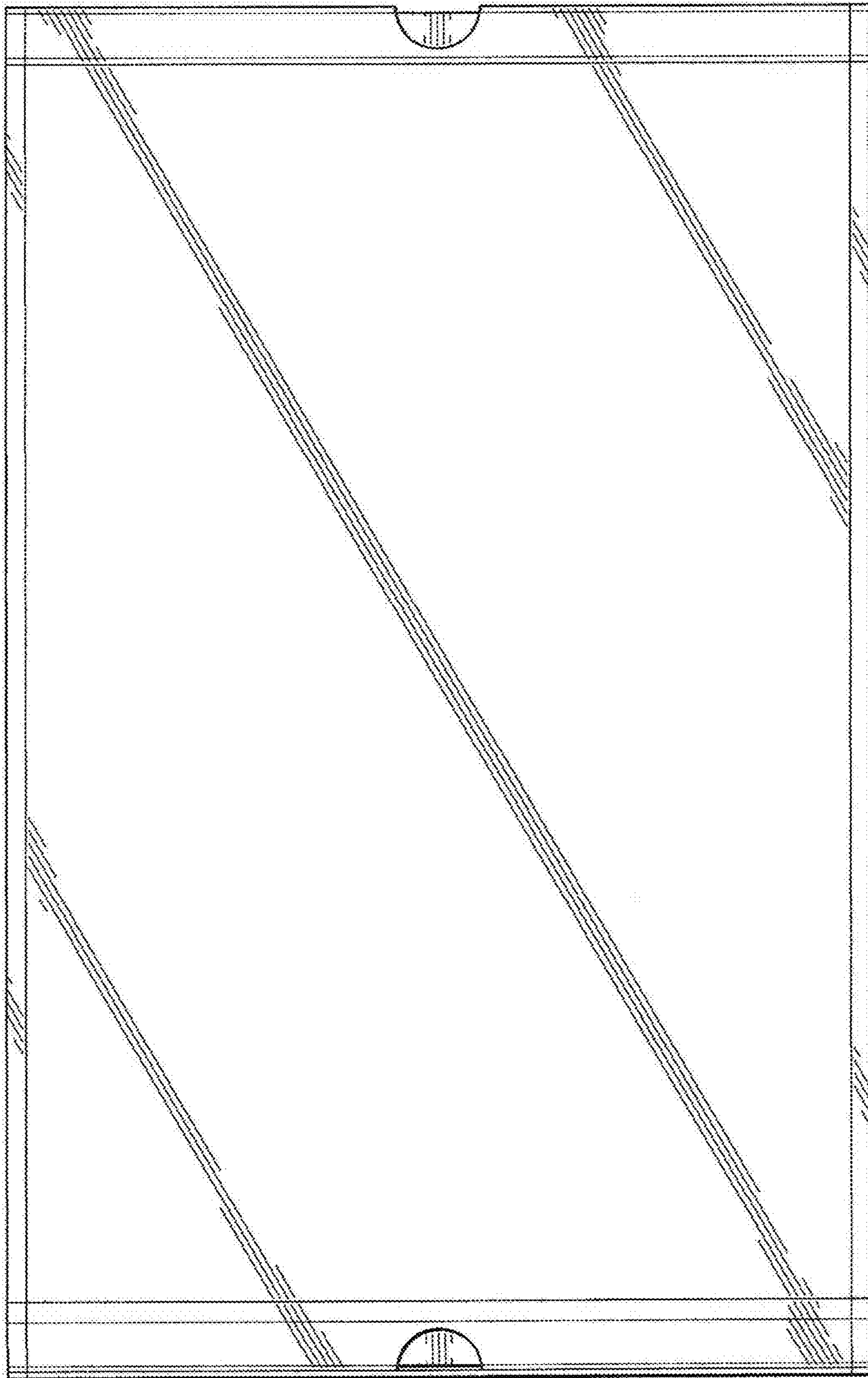


FIG. 3



FIG. 4



FIG. 5



FIG. 6

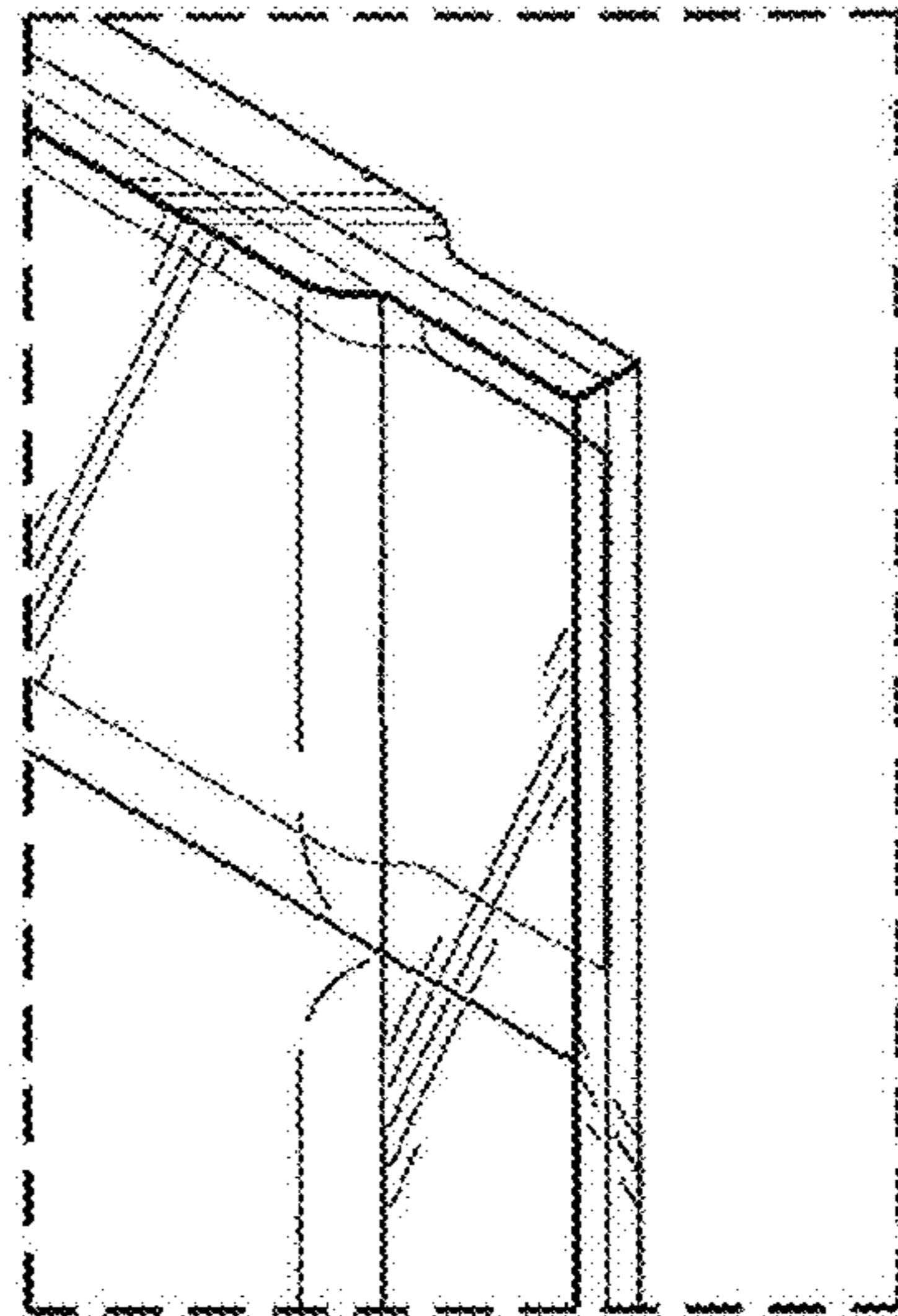


FIG. 7

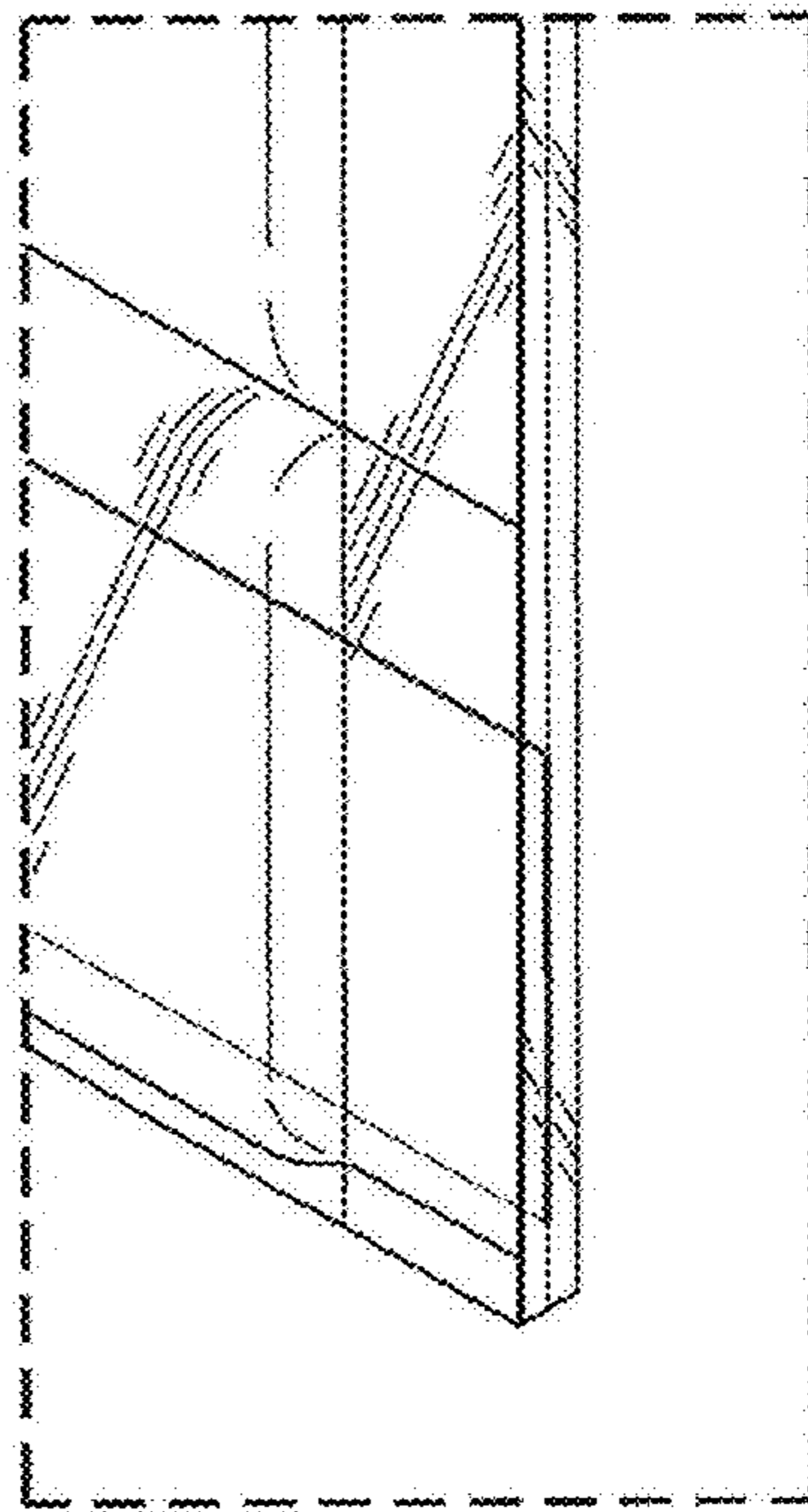


FIG. 8

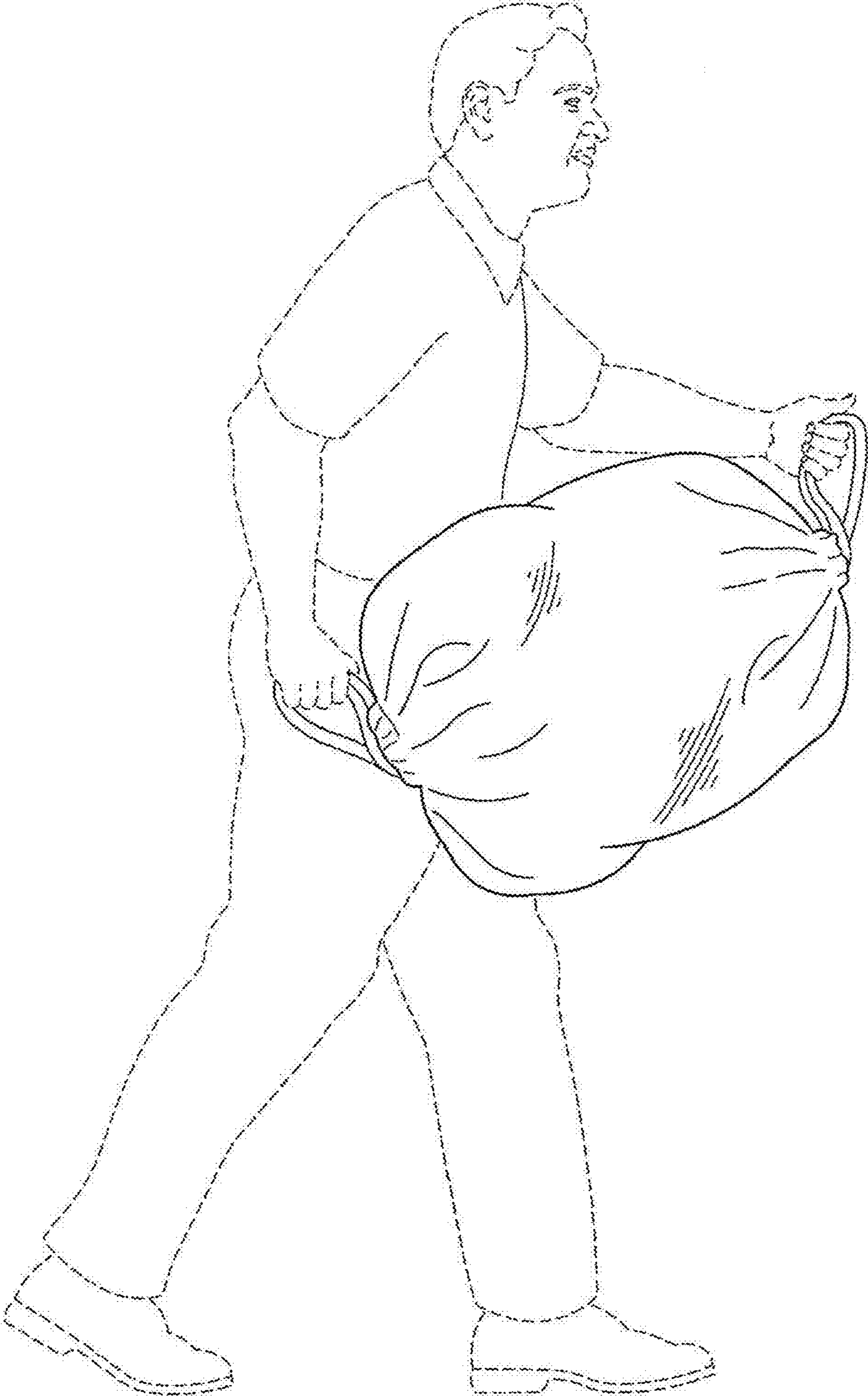


FIG. 9

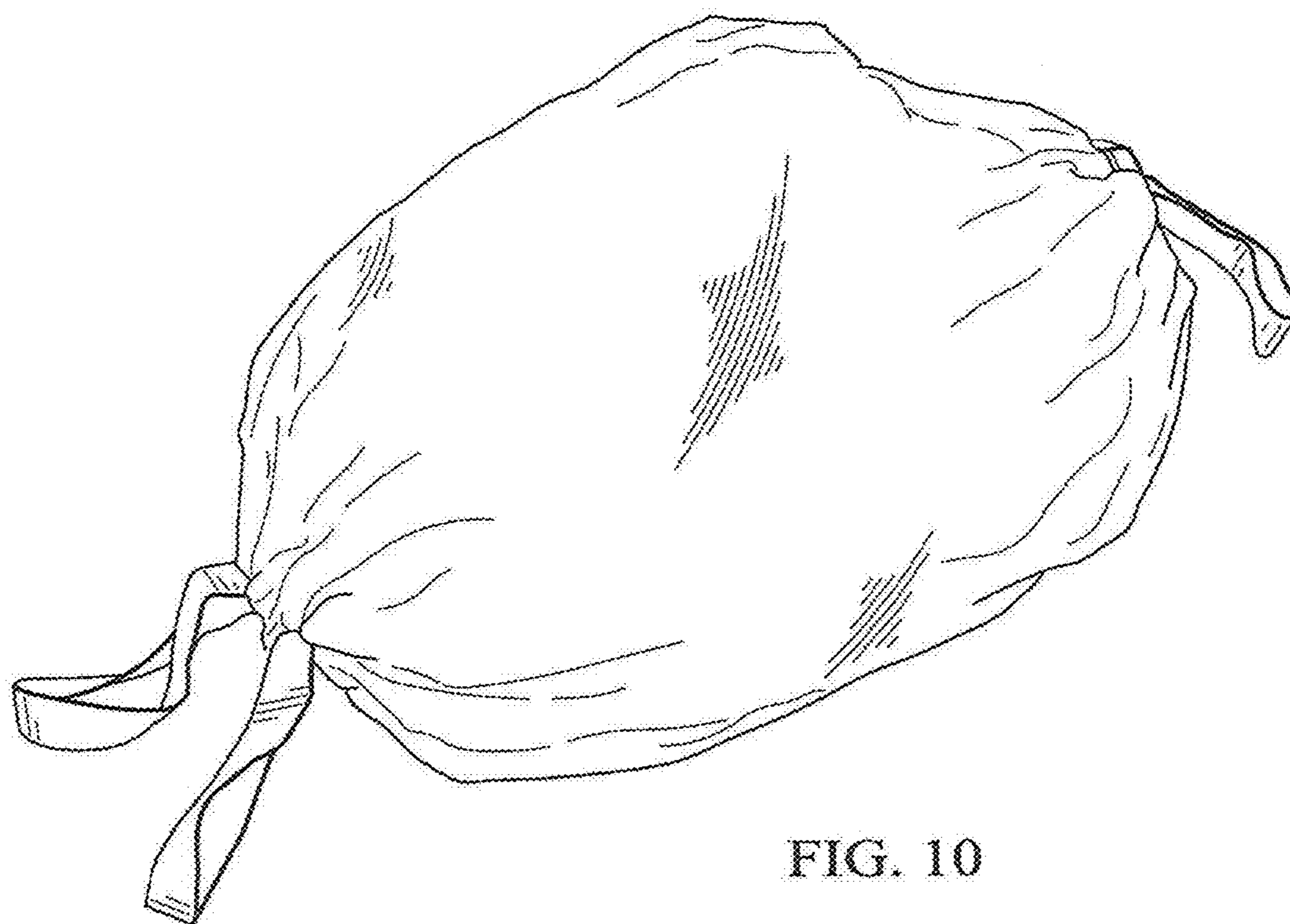


FIG. 10