



US00D833296S

(12) **United States Design Patent**
Wright

(10) **Patent No.:** **US D833,296 S**

(45) **Date of Patent:** **** Nov. 13, 2018**

(54) **COLLAPSIBLE CONTAINER**

(71) Applicant: **Tonya Wright**, Detroit, MI (US)

(72) Inventor: **Tonya Wright**, Detroit, MI (US)

(**) Term: **15 Years**

(21) Appl. No.: **29/604,327**

(22) Filed: **May 17, 2017**

(51) **LOC (11) Cl.** **09-01**

(52) **U.S. Cl.**

USPC **D9/683**; D9/527

(58) **Field of Classification Search**

USPC D9/682, 683, 694, 719, 742, 763, 764,
D9/783, 516, 523-528, 531, 536, 541,
D9/543, 570, 575; D23/211, 211.1,
D23/211.2, 225; 215/900; 220/666
CPC B65D 1/0223; B65D 1/0292; B65D 1/12;
B65D 1/18; B65D 1/20; B65D 1/40;
B65D 1/32; B65D 1/44; B65D
2501/0036; B65D 2501/0081; B65D
23/10; Y10S 215/90

See application file for complete search history.

(56) **References Cited**

U.S. PATENT DOCUMENTS

D194,486 S * 1/1963 Hill D9/527
D227,345 S * 6/1973 Bell et al. D9/527
D248,830 S * 8/1978 Anderson D9/523
D315,497 S * 3/1991 Kamerichs D23/211.1
D360,135 S * 7/1995 Balz D9/520
D375,048 S * 10/1996 Barrash D9/525
5,862,940 A * 1/1999 Chism B65D 37/00
220/666
5,911,338 A * 6/1999 Miller B65D 21/086
220/666

6,047,848 A * 4/2000 Davis B65D 1/0292
215/382
D461,402 S * 8/2002 Soehnlén D9/683
D461,711 S * 8/2002 Soehnlén D9/683
D620,806 S * 8/2010 Ferguson D9/528
D753,507 S * 4/2016 Wright D9/683
2004/0040971 A1 * 3/2004 Athalye B65D 5/3628
220/666
2006/0180614 A1 * 8/2006 Barron B65D 1/0292
222/210
2009/0026216 A1 * 1/2009 Philpott B65D 1/0292
220/666
2010/0108698 A1 * 5/2010 Daliri B65D 21/086
220/666

FOREIGN PATENT DOCUMENTS

DE 2050852 A1 * 6/1972 B65D 1/14
DE 2927786 A1 * 2/1981 B65D 1/12
WO WO-9429180 A1 * 12/1994 B65D 1/0292

* cited by examiner

Primary Examiner — Catherine A Tuttle

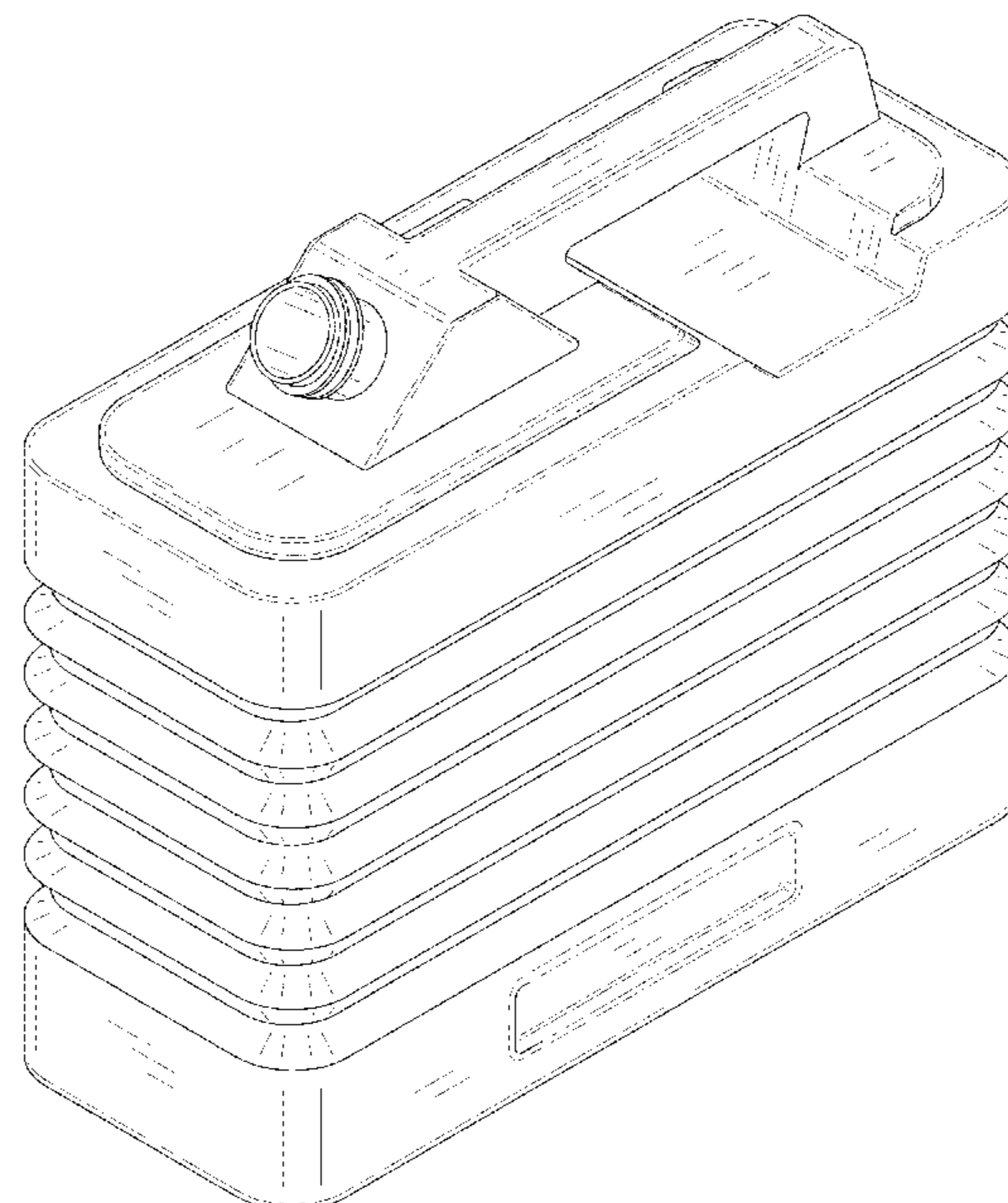
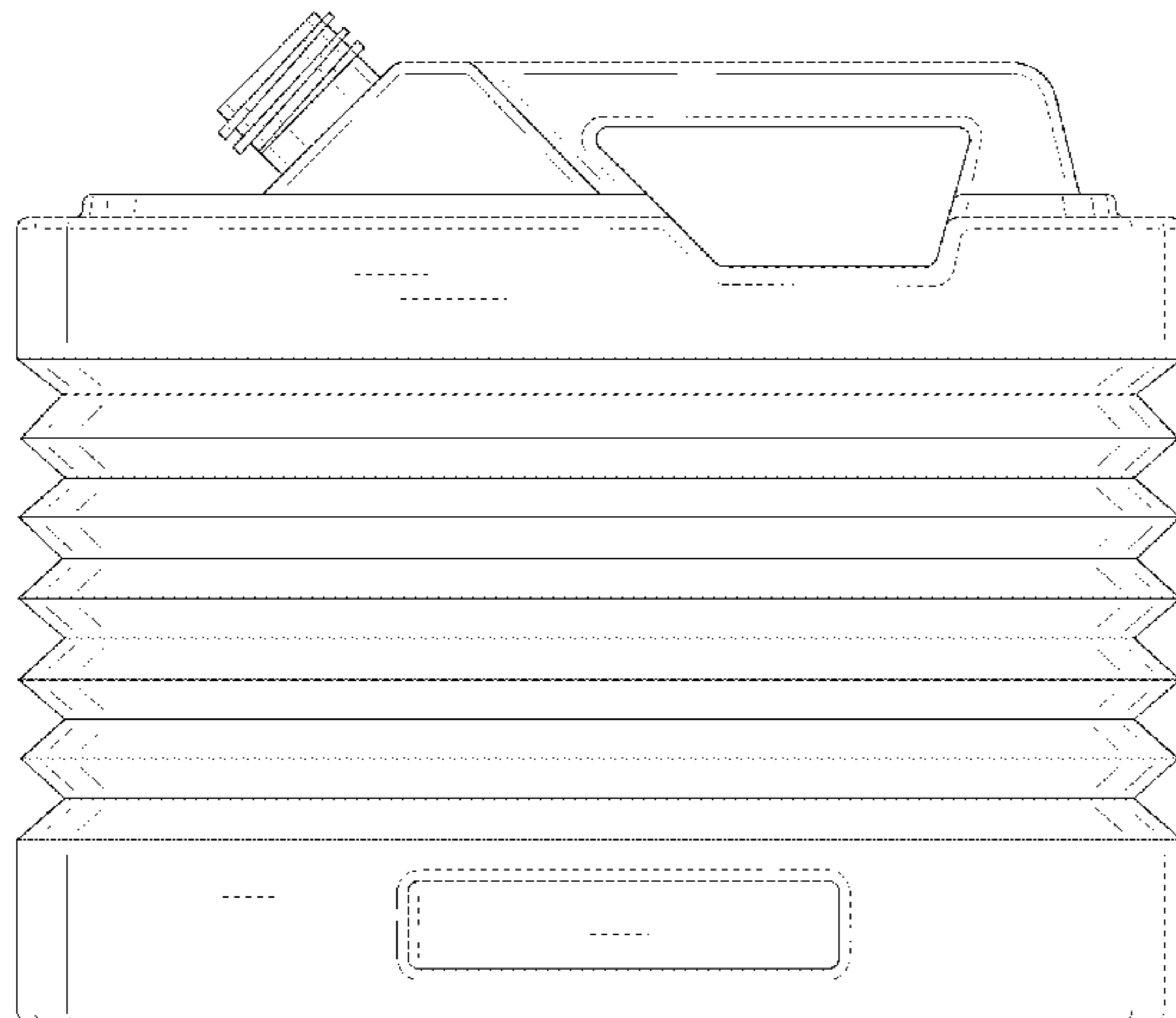
(57) **CLAIM**

The ornamental design for a collapsible container, as shown and described.

DESCRIPTION

FIG. 1 is a front view of a collapsible container showing my new design, a rear view being a mirror image thereof; FIG. 2 is a right side view thereof; FIG. 3 is a left side view thereof; FIG. 4 is a top view thereof; FIG. 5 is a bottom view thereof; and, FIG. 6 is a front, top and right perspective view thereof.

1 Claim, 4 Drawing Sheets



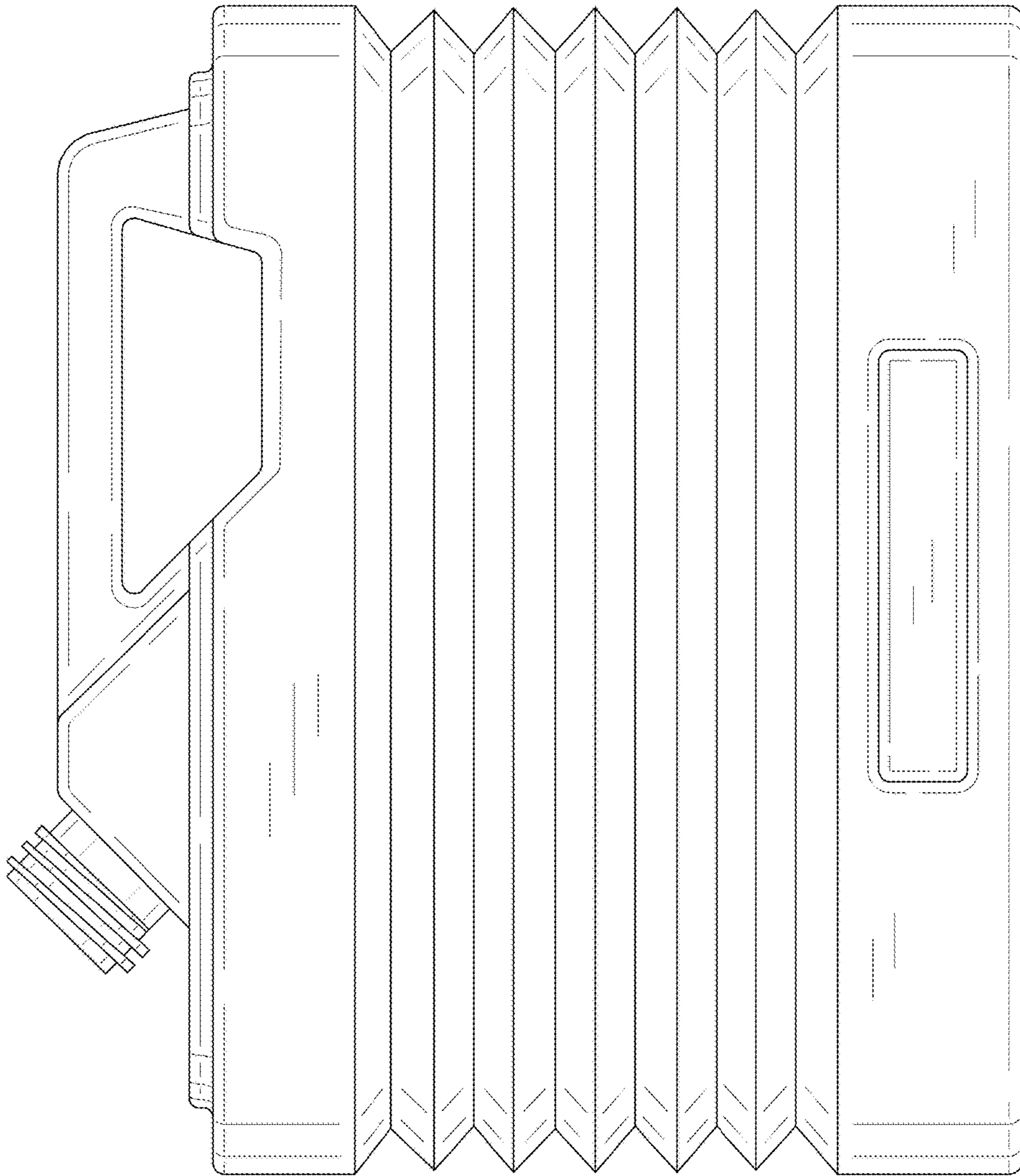


FIG. 1

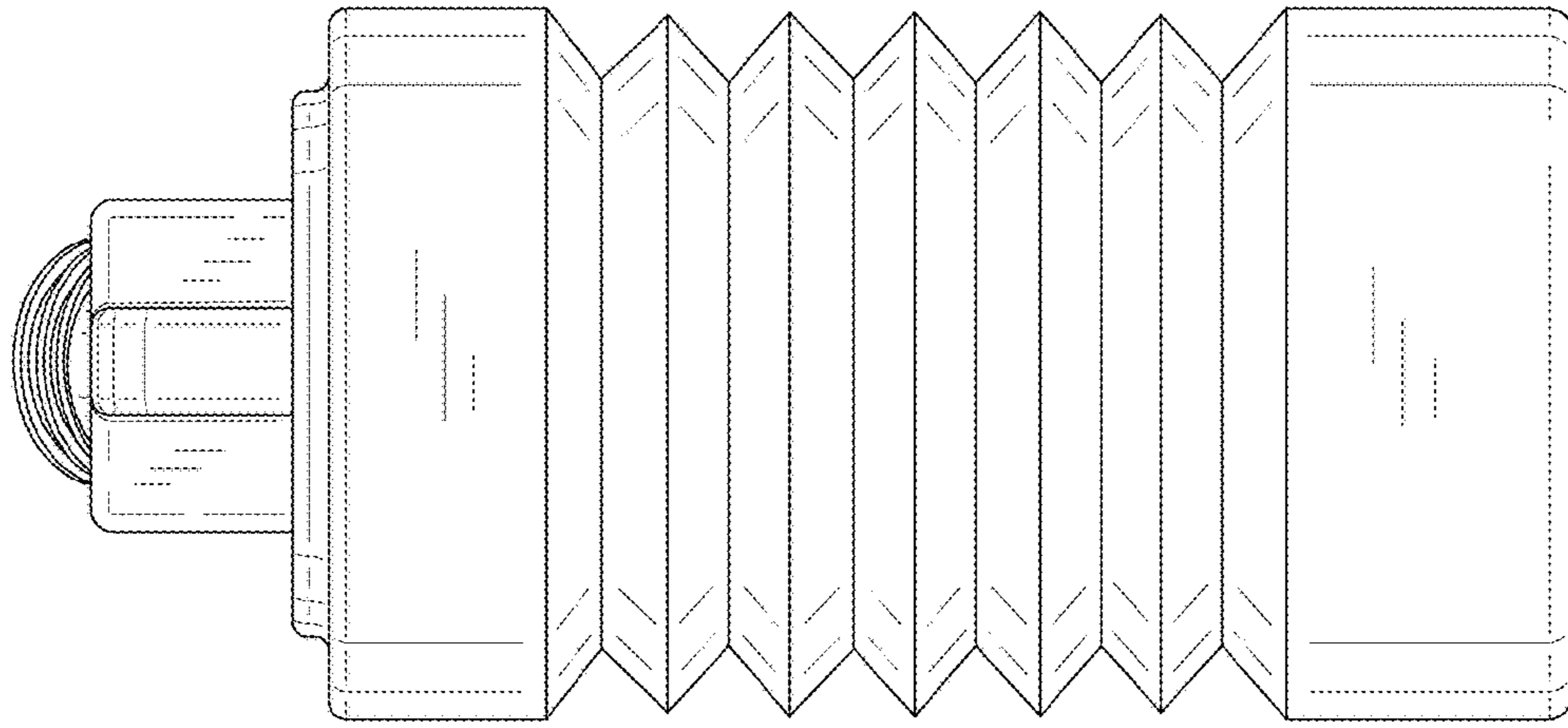


FIG. 3

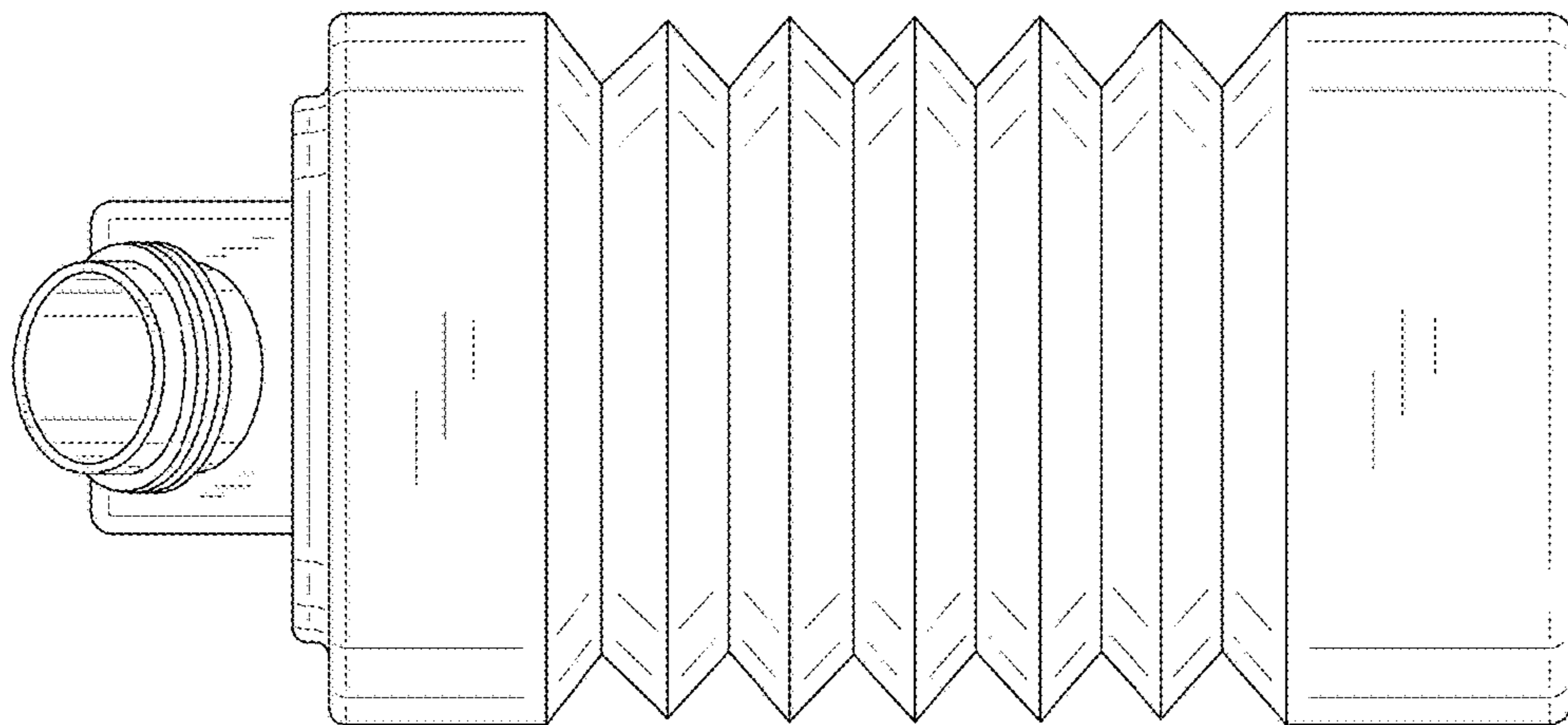


FIG. 2

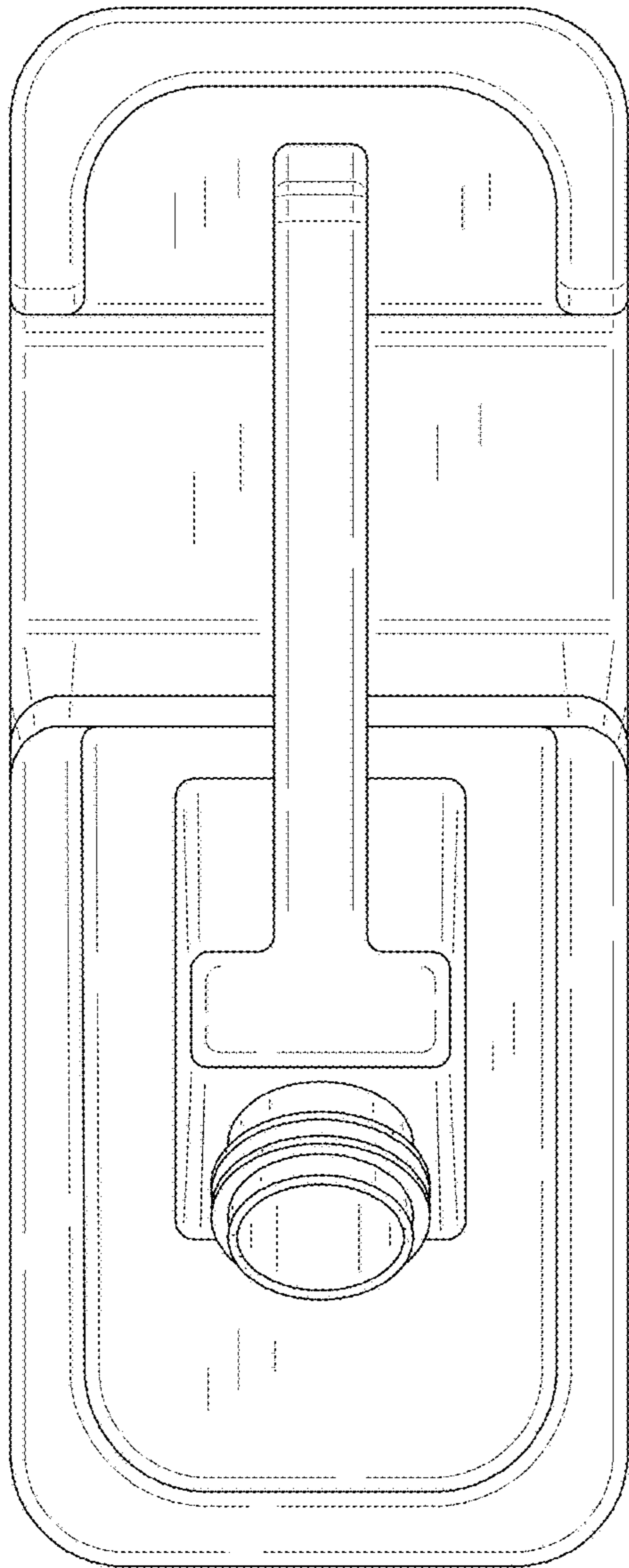


FIG. 4

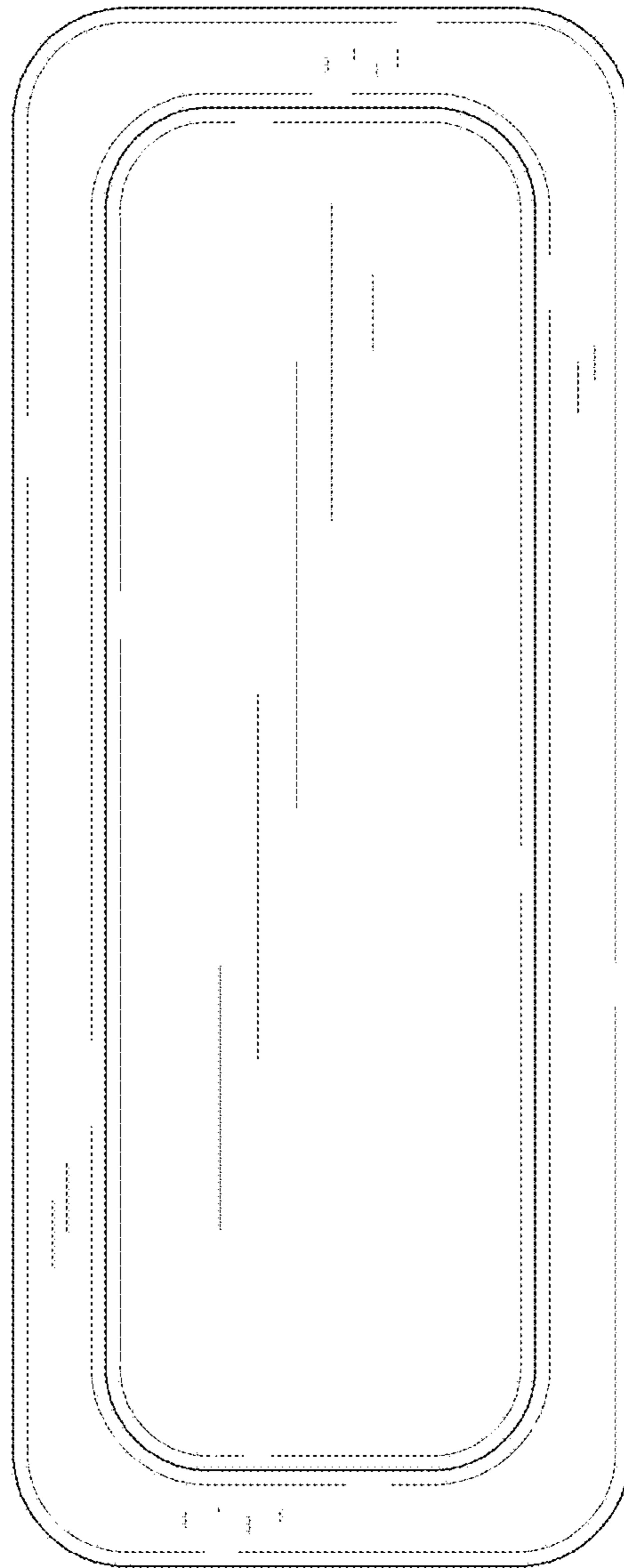


FIG. 5

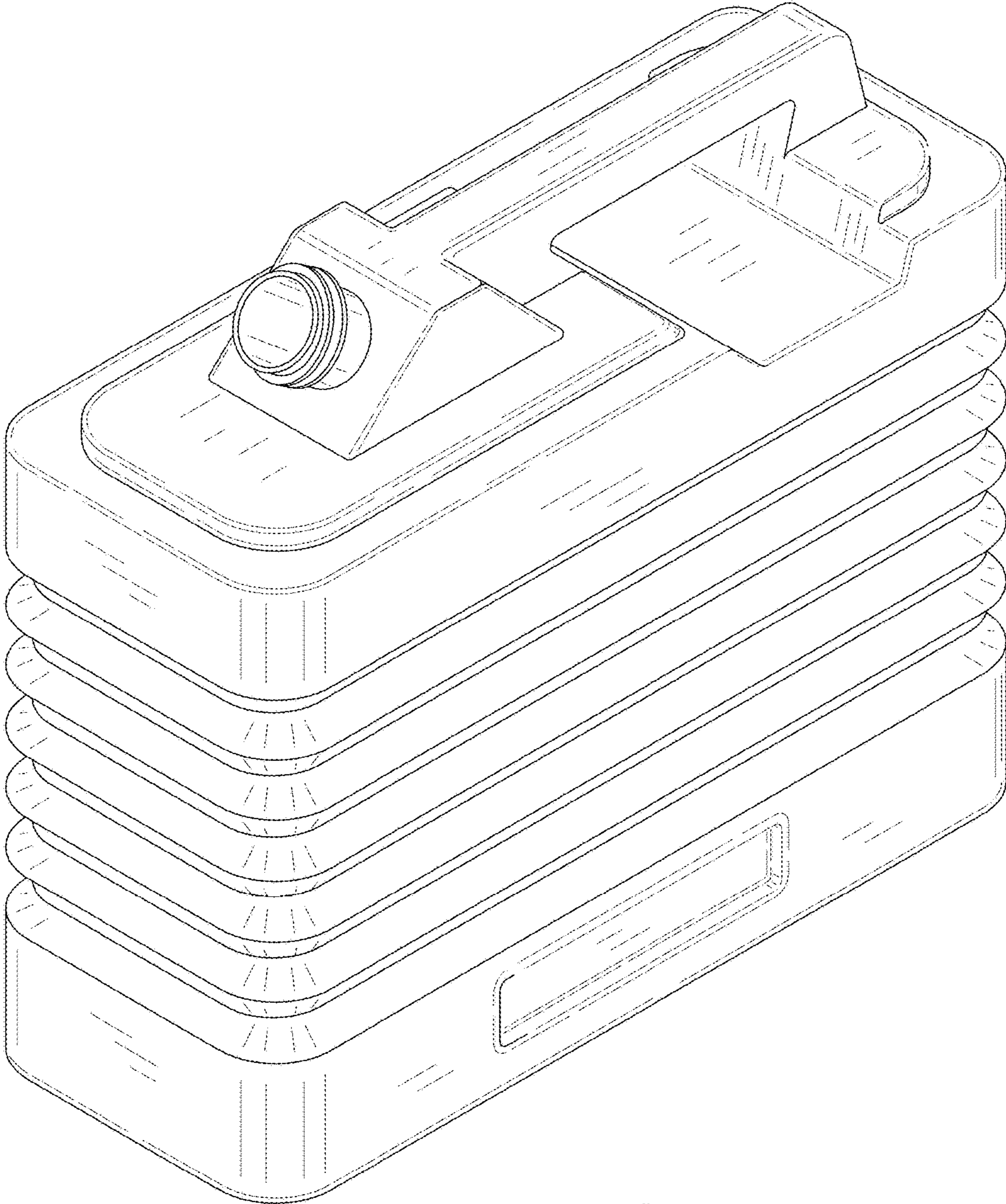


FIG. 6