



US00D833294S

(12) **United States Design Patent** (10) **Patent No.:** **US D833,294 S**  
**Assaraf et al.** (45) **Date of Patent:** **\*\* Nov. 13, 2018**

(54) **PORTABLE SPRAY BOTTLE**  
(71) Applicant: **Perkin & Perkin LLC**, New York, NY (US)  
(72) Inventors: **Jonathan Assaraf**, Sparta, NJ (US); **Jessica Postiglione**, New York, NY (US)  
(73) Assignee: **Perkin & Perkin LLC**, New York, NY (US)  
(\*\*) Term: **15 Years**  
(21) Appl. No.: **29/610,476**  
(22) Filed: **Jul. 12, 2017**  
(51) **LOC (11) Cl.** ..... **09-01**  
(52) **U.S. Cl.**  
USPC ..... **D9/602**; D21/689  
(58) **Field of Classification Search**  
USPC ..... D9/682-694, 600-604, 643, 719, D9/723-728, 738, 741, 504, 516, 517, D9/519, 521, 522, 526, 529, 530, 540, D9/549-558, 434-436, 448; D21/606-609; D28/76, 77, 80, 91.1; D24/115, 117  
CPC ..... B65D 1/0223; B65D 1/40; B65D 23/10; B65D 23/102; B65D 83/14; B65D 83/20; B65D 83/201; B65D 83/202; B65D 83/205; B65D 83/206; B65D 83/207; B65D 83/38; B65D 83/384; B65D 83/40; B05B 11/001; B05B 11/0008; B05B 11/0037; B05B 11/0054; B05B 11/0056; B05B 11/0097; B05B 11/30; B05B 11/3012; B05B 11/3014; B05B 11/3043; B05B 11/3045; B05B 11/3046; B05B 11/3047; B05B 11/3052; B05B 11/3059  
See application file for complete search history.

(56) **References Cited**  
U.S. PATENT DOCUMENTS  
D133,483 S \* 8/1942 O'Neil ..... D7/301  
D205,732 S \* 9/1966 Gould ..... D9/526  
D230,954 S \* 3/1974 Gregoriotti ..... D9/504  
D250,601 S \* 12/1978 Pick ..... D24/115  
D300,441 S \* 3/1989 Ryland ..... D21/609  
D305,262 S \* 12/1989 Nichols ..... D24/115  
D316,222 S \* 4/1991 van der Heijden ..... D9/602  
D348,218 S \* 6/1994 Weiss ..... D9/693  
D406,053 S \* 2/1999 Ying ..... D9/603  
D465,149 S \* 11/2002 Bennett ..... D9/691  
D482,972 S \* 12/2003 Young ..... D9/516  
D516,436 S \* 3/2006 Campbell ..... D9/682  
D539,146 S \* 3/2007 Schroeder ..... D9/500  
D608,578 S \* 1/2010 Yang ..... D6/542  
D634,002 S \* 3/2011 Laerdal ..... D24/108  
D653,547 S \* 2/2012 Canuto ..... D9/519  
(Continued)

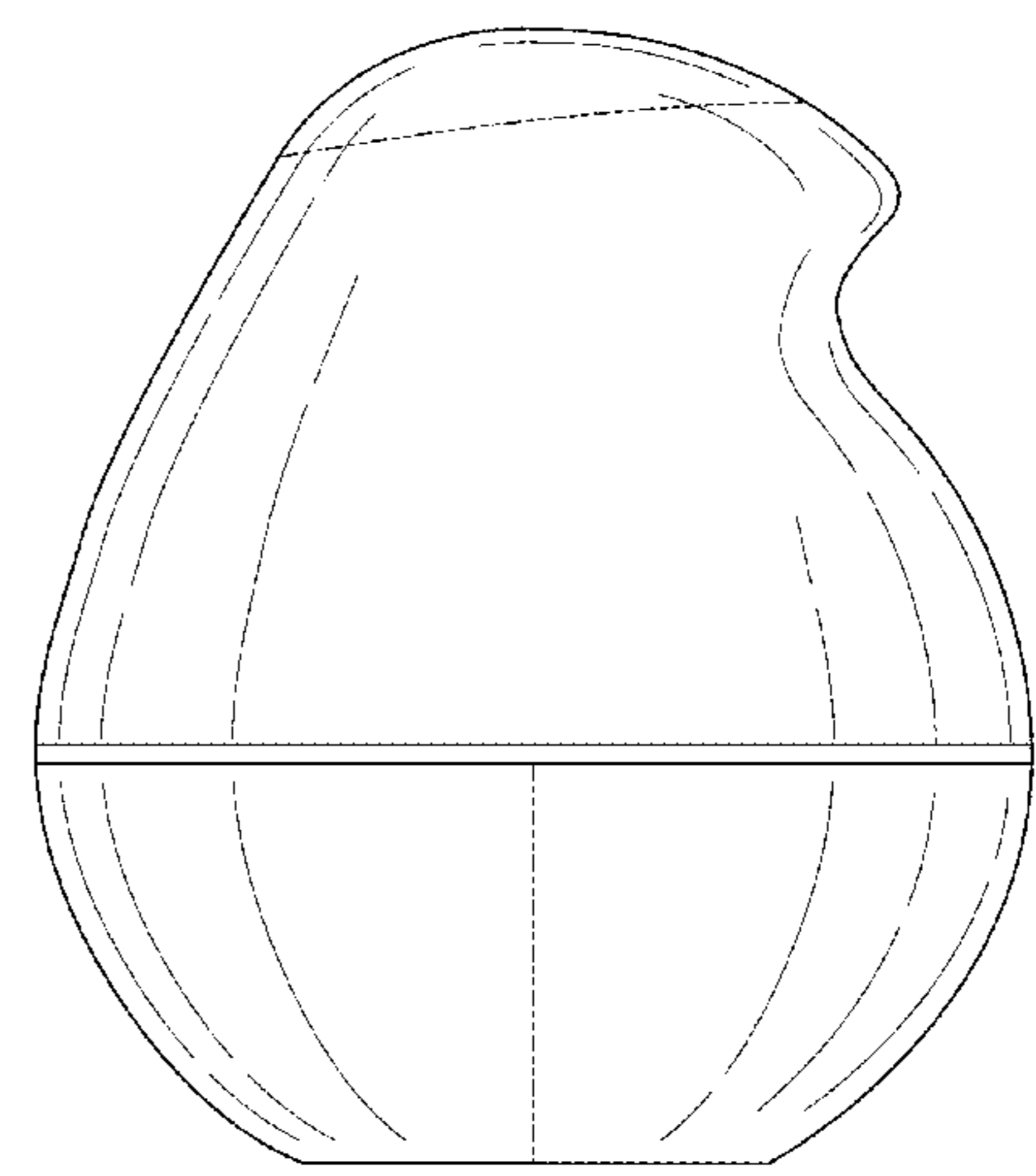
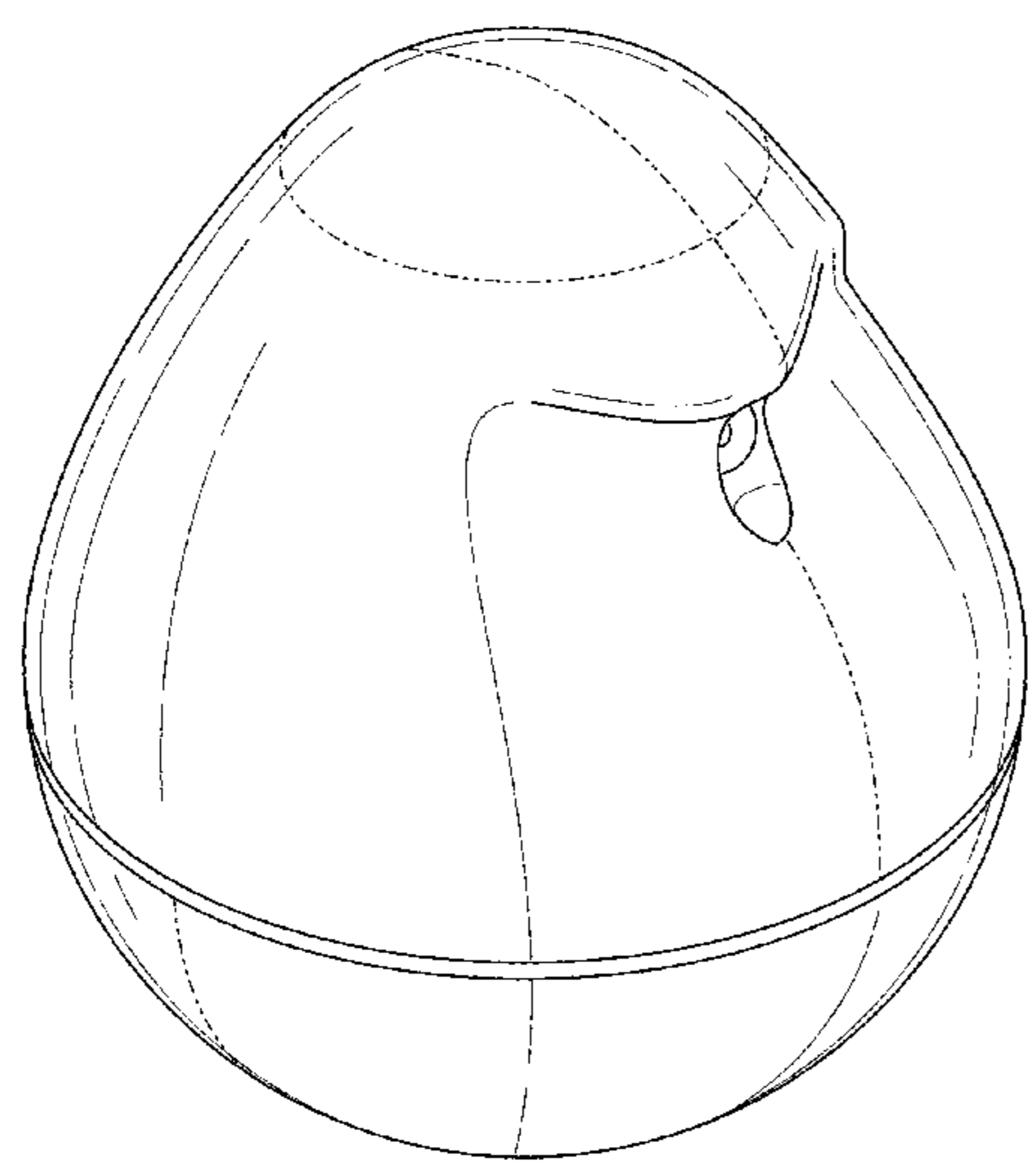
FOREIGN PATENT DOCUMENTS  
WO WO -2006066363 A1 \* 6/2006 ..... A61M 15/009

*Primary Examiner* — Catherine A Tuttle  
(74) *Attorney, Agent, or Firm* — Parker Ibrahim & Berg LLP; Kenneth J. Heywood; Stephen D. LeBarron

(57) **CLAIM**  
The ornamental design for a portable spray bottle, as shown and described.

**DESCRIPTION**  
FIG. 1 is a front perspective view of a portable spray bottle showing our new design;  
FIG. 2 is a front view thereof;  
FIG. 3 is a rear view thereof;  
FIG. 4 is a side view thereof;  
FIG. 5 is a top view thereof; and,  
FIG. 6 is a bottom view thereof.  
The broken lines are included for the purpose of illustrating features of the portable spray bottle that broken lines form no part of the claimed design.

**1 Claim, 6 Drawing Sheets**



(56)

**References Cited**

U.S. PATENT DOCUMENTS

|              |      |         |            |       |              |
|--------------|------|---------|------------|-------|--------------|
| D668,552     | S *  | 10/2012 | Wisniewski | ..... | D9/689       |
| D705,075     | S *  | 5/2014  | Zwettler   | ..... | D21/576      |
| D717,665     | S *  | 11/2014 | Dubitsky   | ..... | D9/689       |
| D718,640     | S *  | 12/2014 | Cheng      | ..... | D9/691       |
| D721,283     | S *  | 1/2015  | Lawrance   | ..... | D9/689       |
| D736,095     | S *  | 8/2015  | Brochado   | ..... | D9/689       |
| D739,260     | S *  | 9/2015  | Isaacs     | ..... | D9/689       |
| D747,973     | S *  | 1/2016  | Kerr       | ..... | D9/526       |
| D749,421     | S *  | 2/2016  | Nandha     | ..... | D9/529       |
| D778,170     | S *  | 2/2017  | Kim        | ..... | D9/529       |
| D788,586     | S *  | 6/2017  | Molinari   | ..... | D9/504       |
| D790,978     | S *  | 7/2017  | Konieczny  | ..... | D9/550       |
| 9,913,561    | B1 * | 3/2018  | Rodriguez  | ..... | A47K 5/1201  |
| 2004/0149779 | A1 * | 8/2004  | Boll       | ..... | B05B 11/3057 |
|              |      |         |            |       | 222/333      |
| 2006/0157514 | A1 * | 7/2006  | Muhlhausen | ..... | B65D 23/12   |
|              |      |         |            |       | 222/213      |
| 2016/0089526 | A1 * | 3/2016  | Hofland    | ..... | A61M 35/003  |
|              |      |         |            |       | 604/311      |
| 2018/0070780 | A1 * | 3/2018  | Rodriguez  | ..... | A47K 5/1201  |

\* cited by examiner

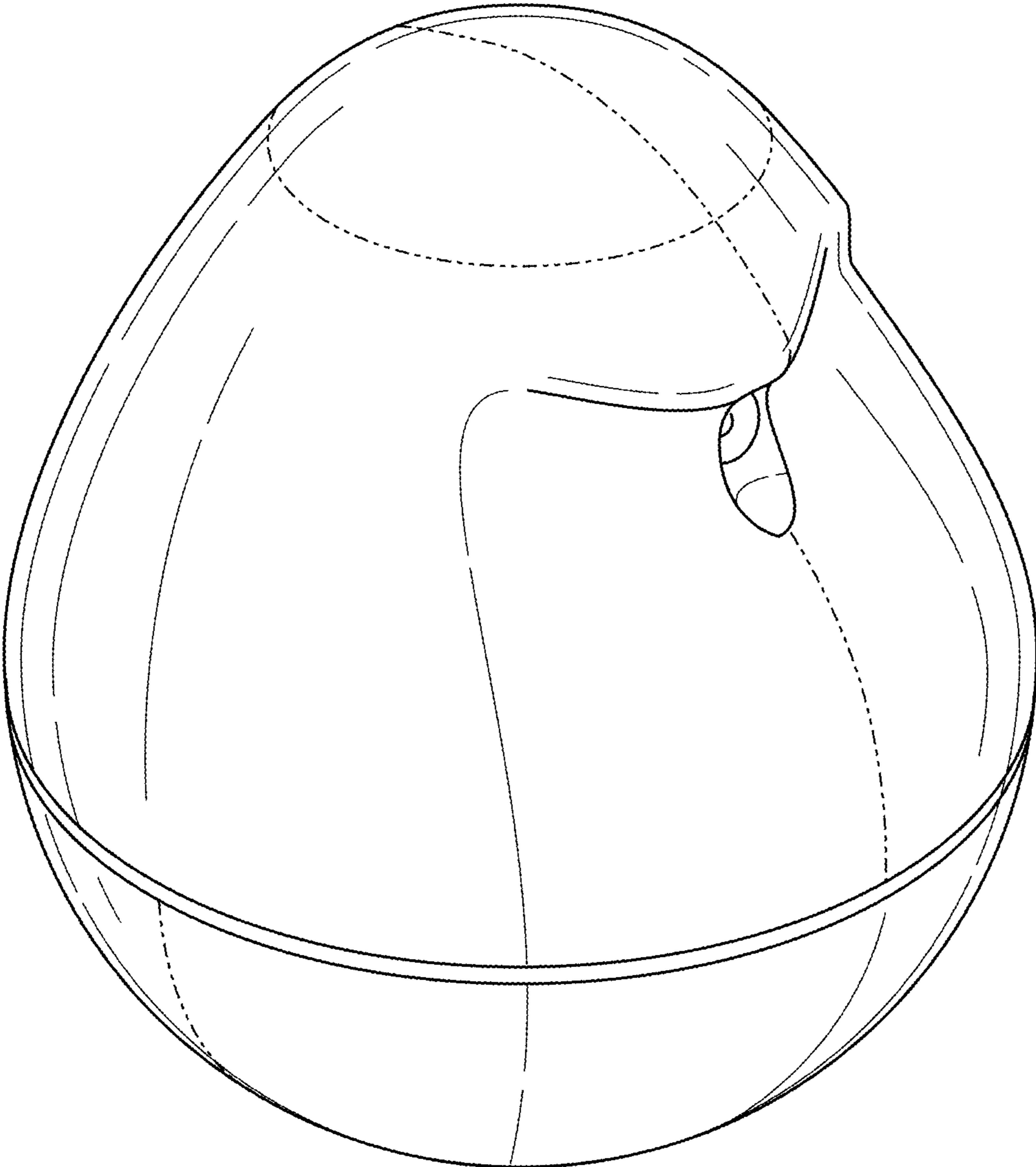


FIG. 1

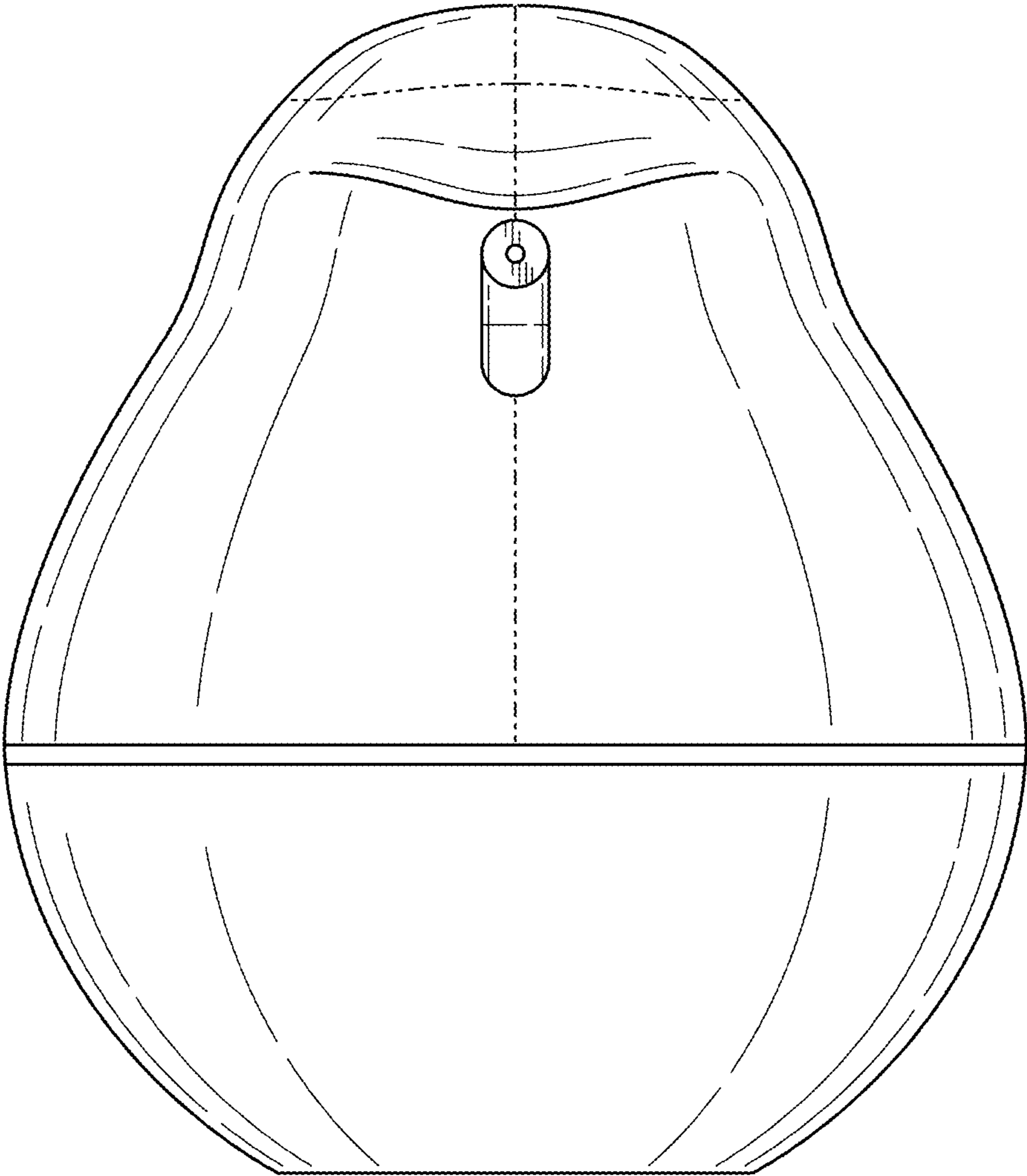


FIG. 2

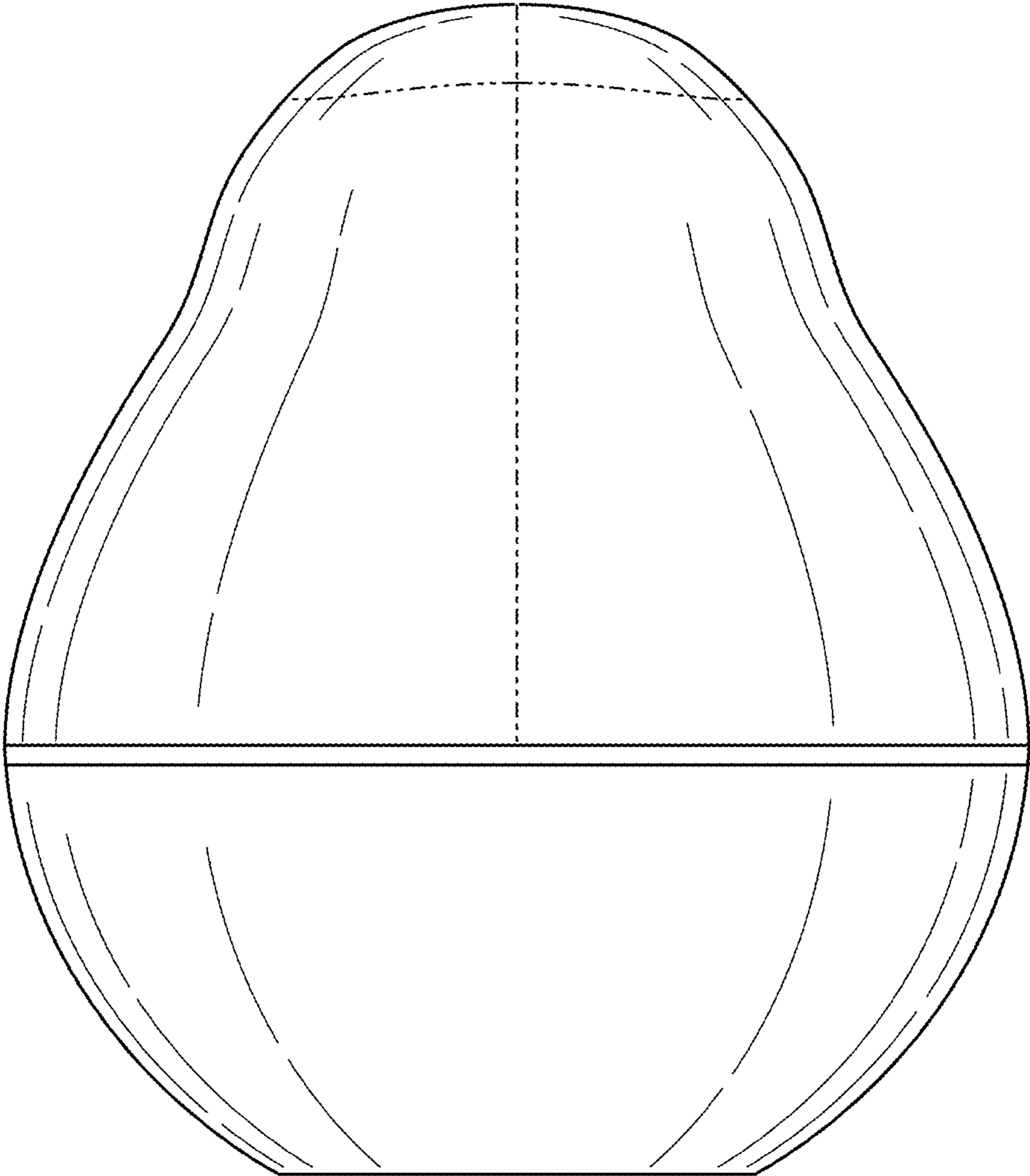


FIG. 3

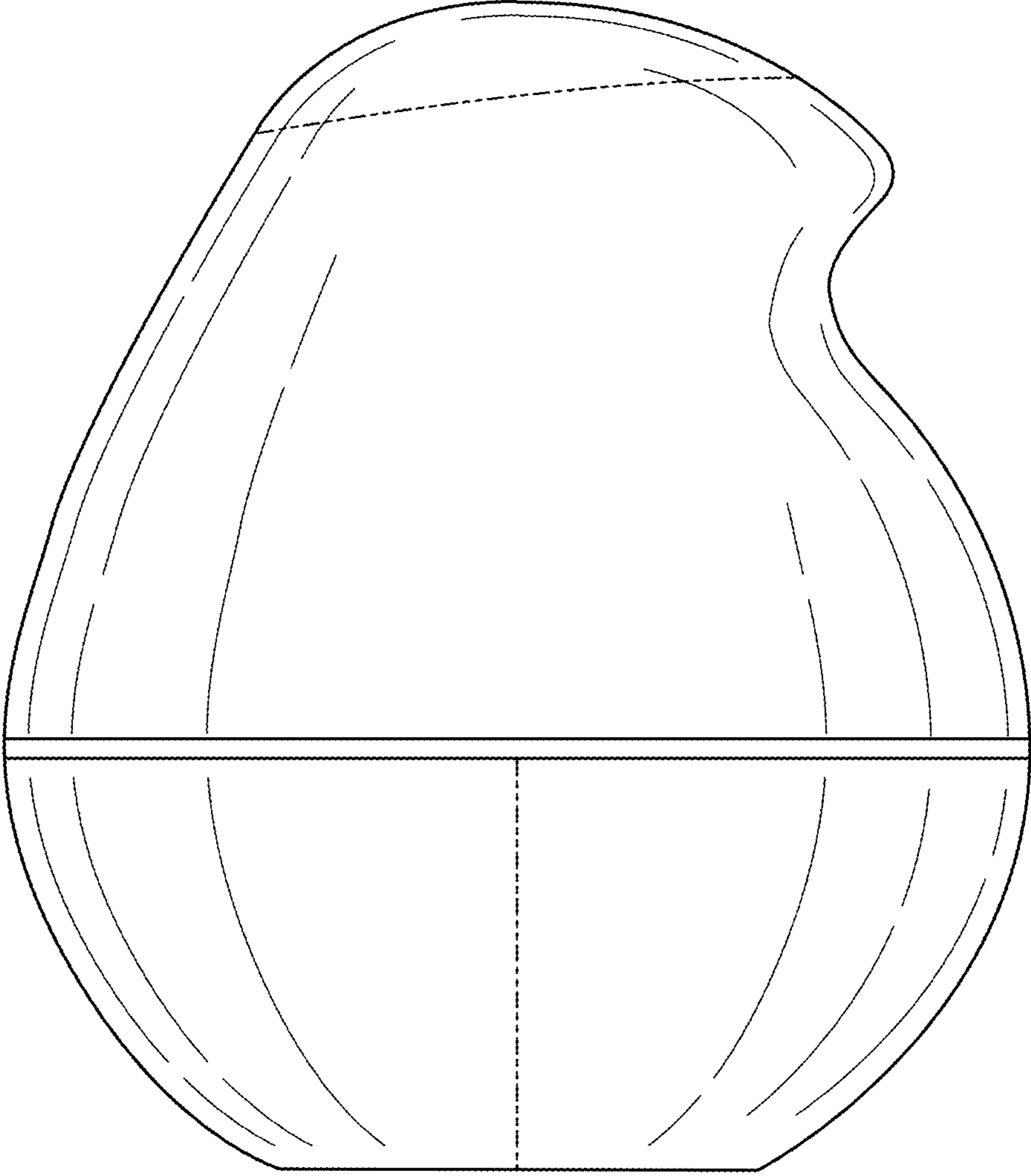


FIG. 4



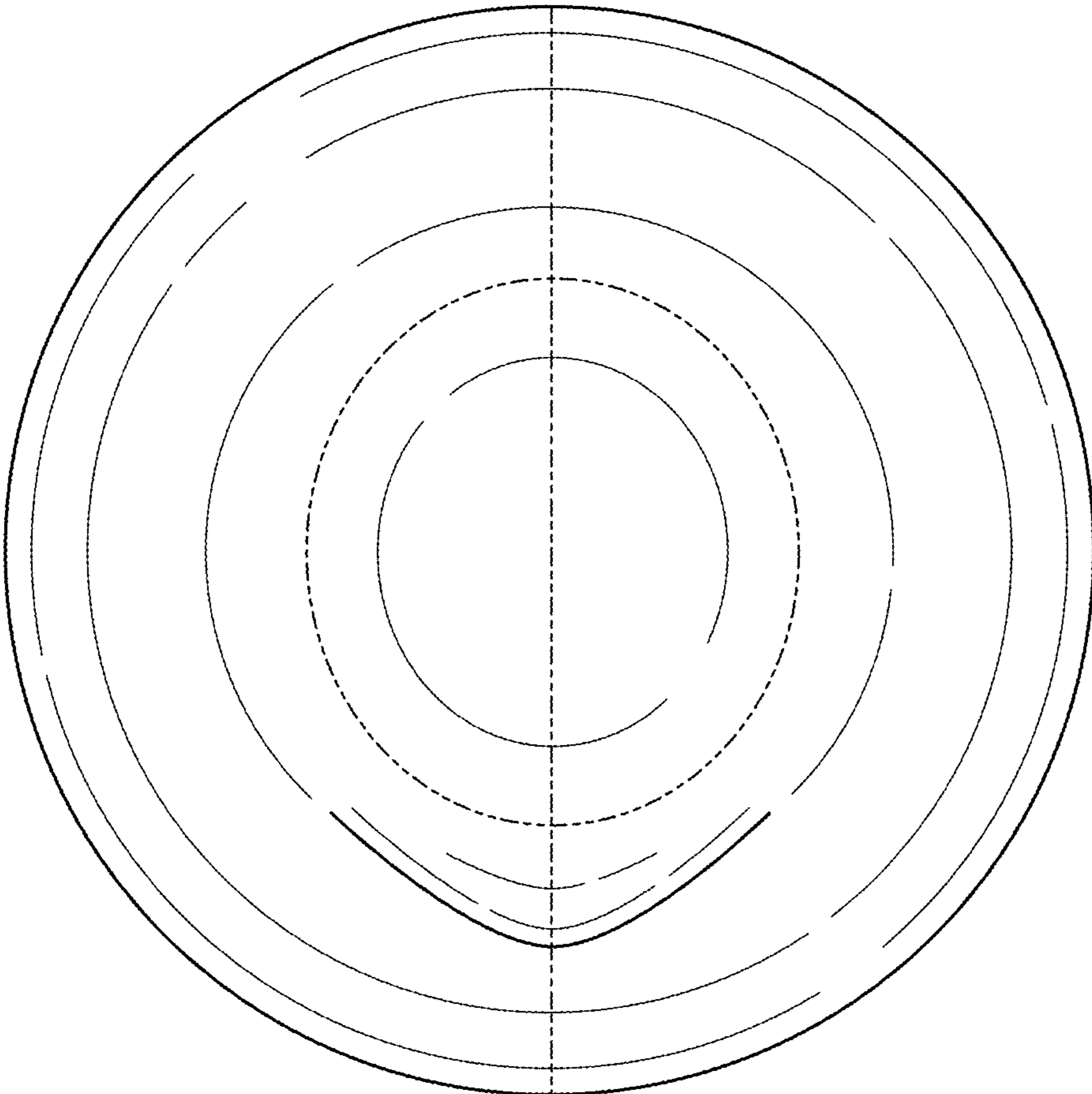


FIG. 5

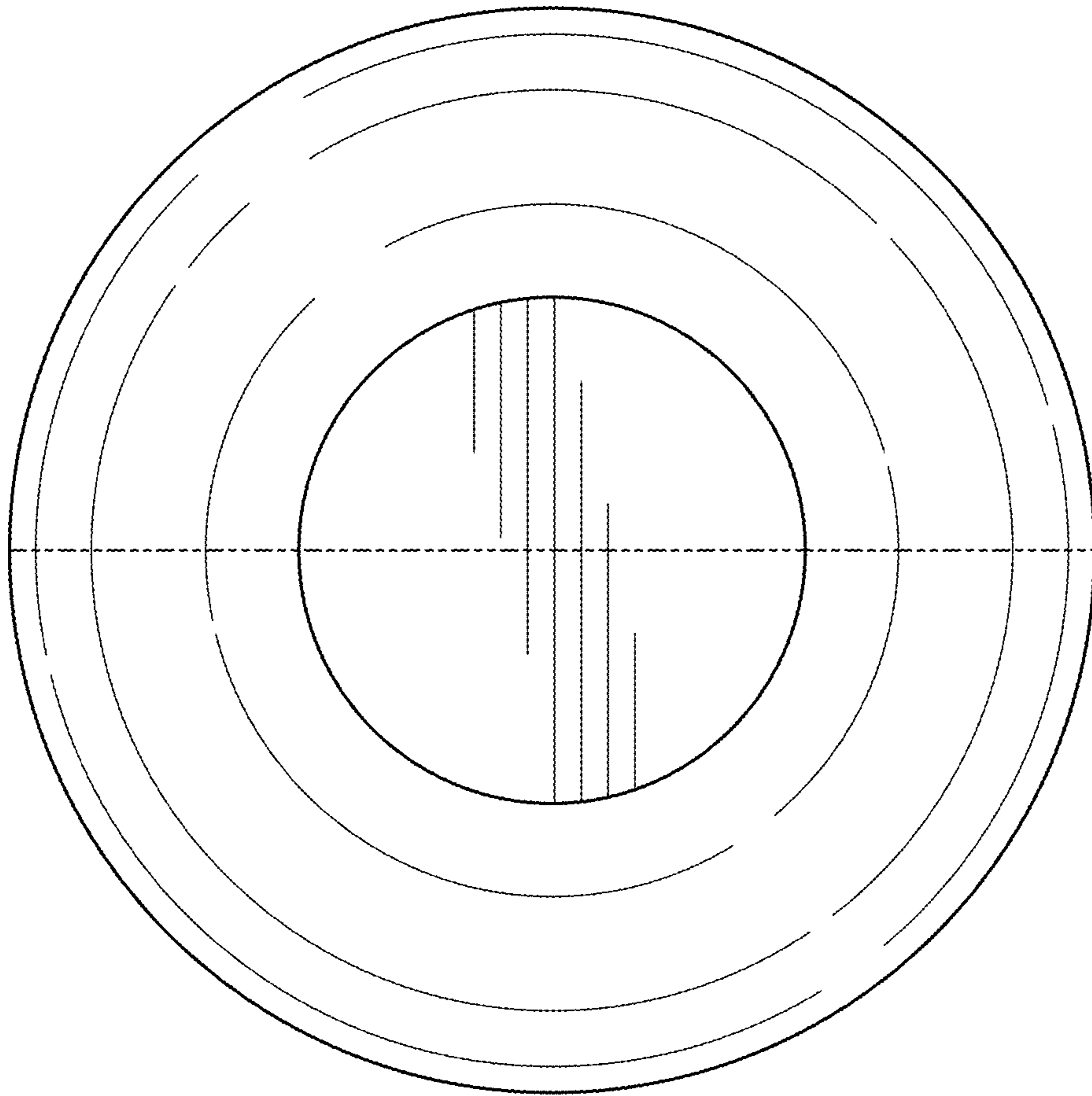


FIG. 6