



US00D833290S

(12) **United States Design Patent**  
**Byron et al.**

(10) **Patent No.:** **US D833,290 S**

(45) **Date of Patent:** **\*\* Nov. 13, 2018**

(54) **BOTTLE**

(71) Applicant: **Kent Byron**, New Iberia, LA (US)

(72) Inventors: **Kent Byron**, Lafayette, LA (US);  
**James Patrick Casey**, Lee's Summit,  
MO (US)

(73) Assignee: **Kent Byron**, New Iberia, LA (US)

(\*\*) Term: **15 Years**

(21) Appl. No.: **29/613,659**

(22) Filed: **Aug. 11, 2017**

(51) **LOC (11) Cl.** ..... **09-01**

(52) **U.S. Cl.**  
USPC ..... **D9/559**; D9/566

(58) **Field of Classification Search**  
USPC ..... D7/300-322, 391-396.2, 509-511, 523,  
D7/589, 598, 612, 615, 619.1; D9/435,  
D9/436, 439, 440, 443, 447, 454, 500,  
D9/503-505, 516-575, 763-783;  
215/40-55, 316-354, 370-385;  
220/574-575  
CPC ..... B65D 1/00; B65D 1/02; B65D 1/0223;  
B65D 1/023; B65D 1/0276

See application file for complete search history.

(56) **References Cited**

**U.S. PATENT DOCUMENTS**

D43,507 S \* 2/1913 Nelson ..... D9/544  
D80,708 S \* 3/1930 Teague ..... D9/544  
D175,447 S \* 8/1955 Tucker ..... D7/300  
D191,544 S \* 10/1961 Bloch ..... D9/543

D196,077 S \* 8/1963 Helntze ..... D7/300  
D204,710 S \* 5/1966 Roberts ..... D9/542  
D300,904 S \* 5/1989 Pardo ..... D9/526  
D322,565 S \* 12/1991 Durand ..... D9/573  
D533,072 S \* 12/2006 Kelly ..... D9/566  
D544,361 S \* 6/2007 Cordes ..... D9/544  
D646,981 S \* 10/2011 Flanagan-Kent ..... D9/521  
D694,640 S \* 12/2013 Infahsaeng ..... D9/559  
D715,152 S \* 10/2014 Maskell ..... D9/566  
D726,967 S \* 4/2015 Komai ..... D28/87  
D790,975 S \* 7/2017 Allan ..... D9/542  
D826,724 S \* 8/2018 Staab ..... D9/574

\* cited by examiner

*Primary Examiner* — Cathron C Brooks

*Assistant Examiner* — Christian P. McLean

(74) *Attorney, Agent, or Firm* — Jones Walker LLP

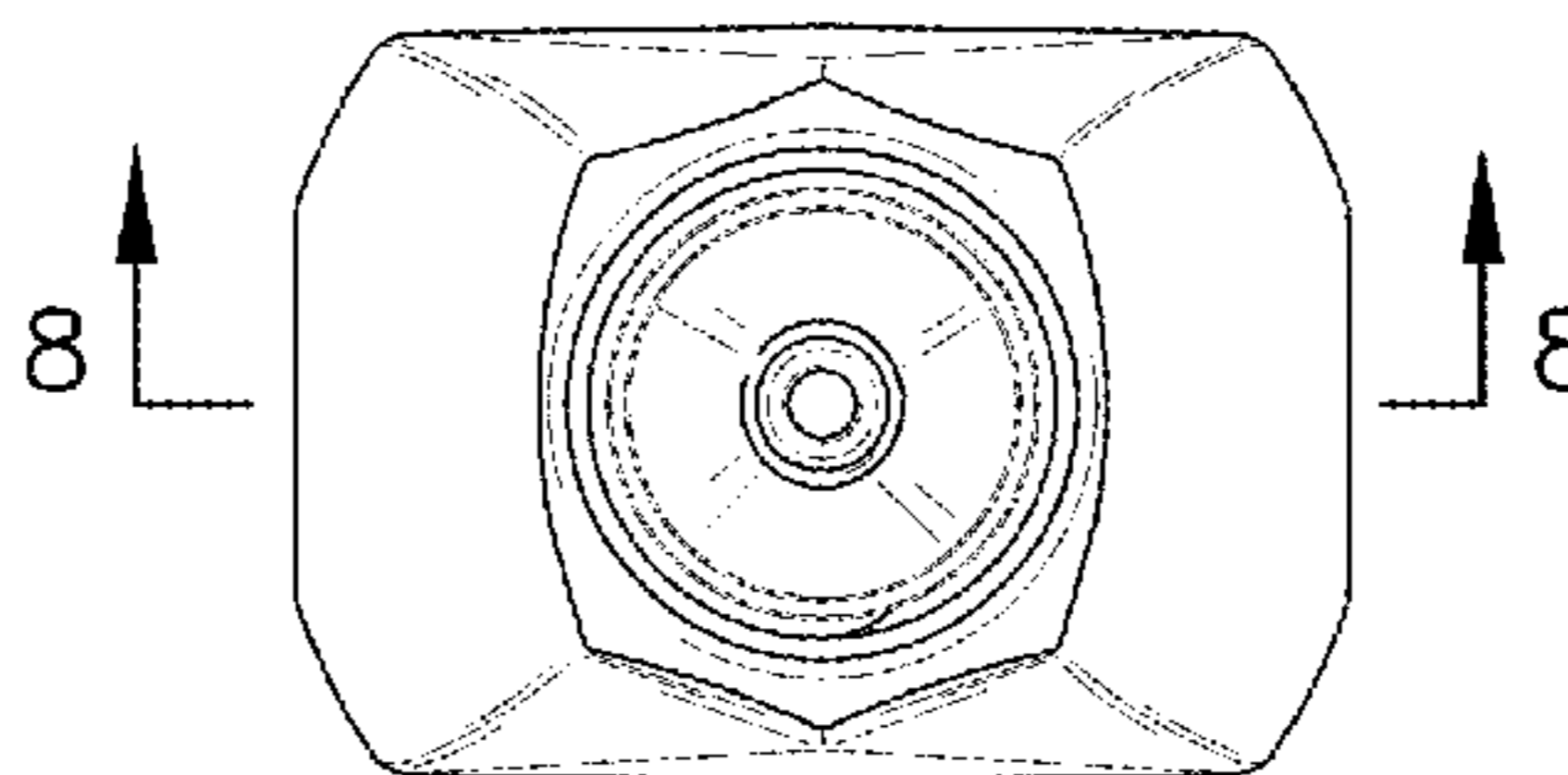
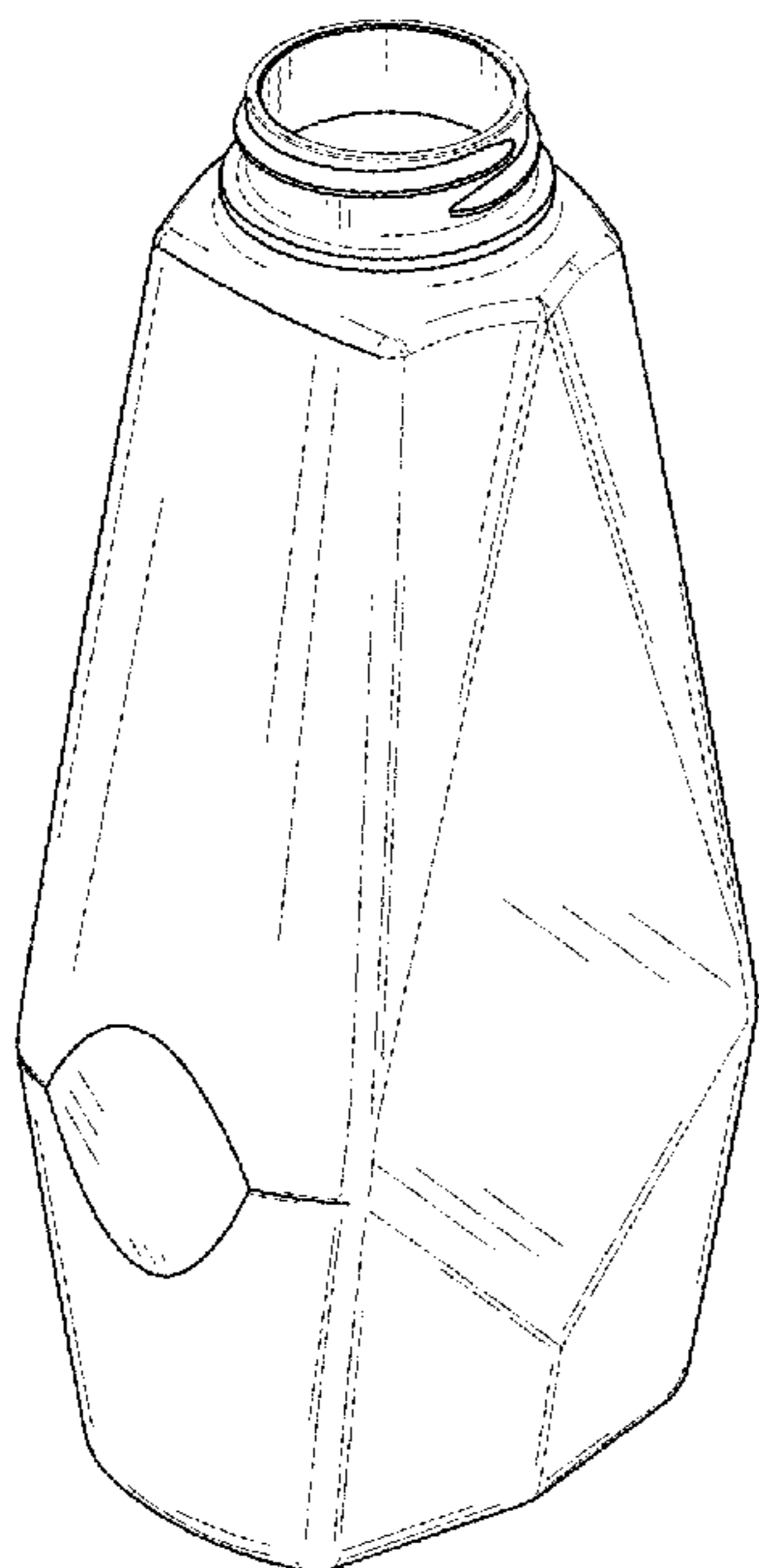
(57) **CLAIM**

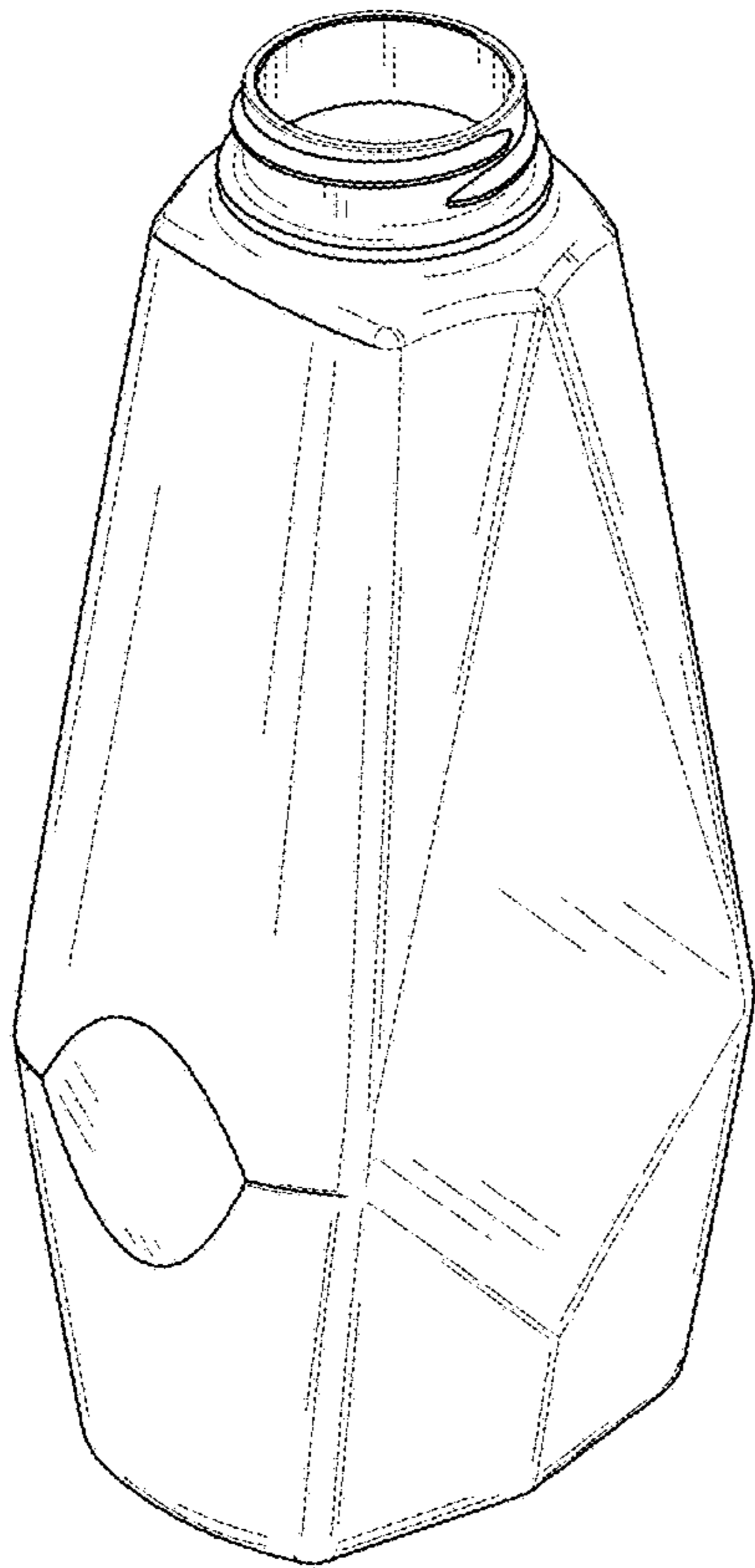
We claim the ornamental design for a bottle, as shown and described.

**DESCRIPTION**

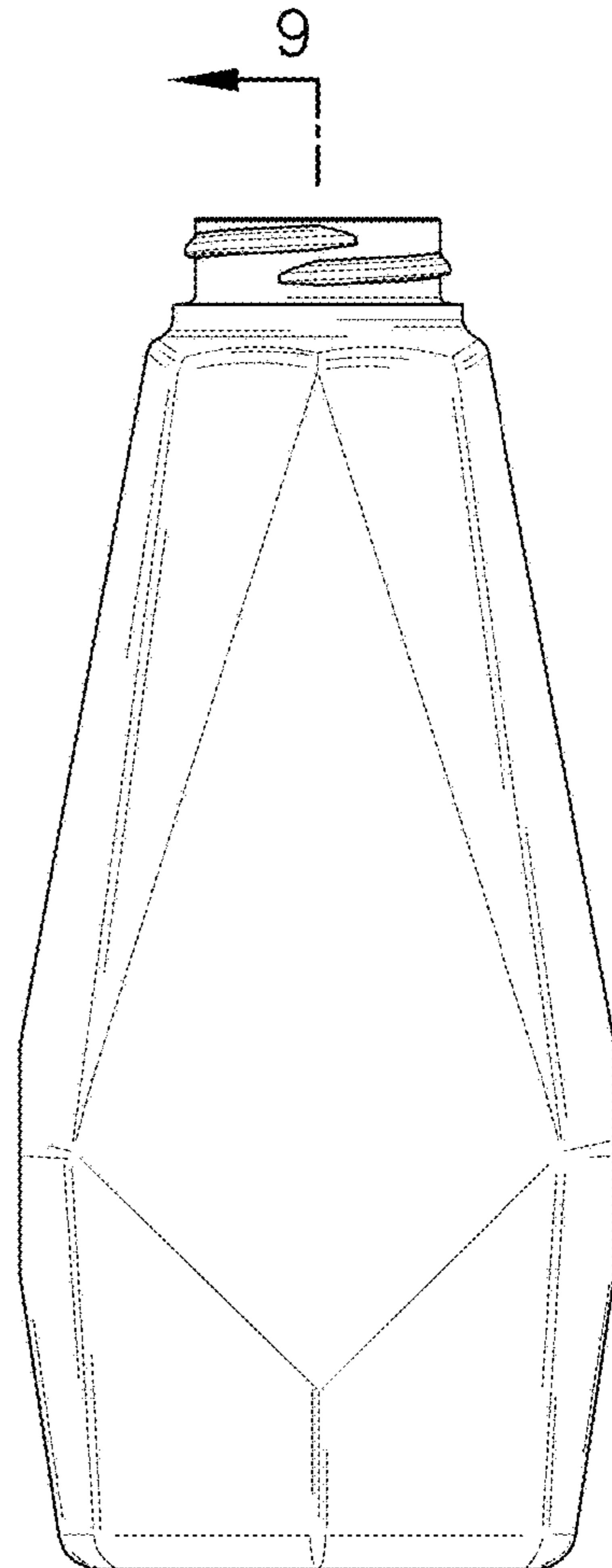
FIG. 1 is a perspective view of a bottle showing our new design;  
FIG. 2 is a front view thereof;  
FIG. 3 is a top view thereof;  
FIG. 4 is a bottom view thereof;  
FIG. 5 is a rear view thereof;  
FIG. 6 is a right side view thereof;  
FIG. 7 is a left side view thereof;  
FIG. 8 is a sectional view thereof taken along line 8-8 in FIG. 3; and,  
FIG. 9 is a sectional view thereof taken along line 9-9 in FIG. 2.

**1 Claim, 3 Drawing Sheets**

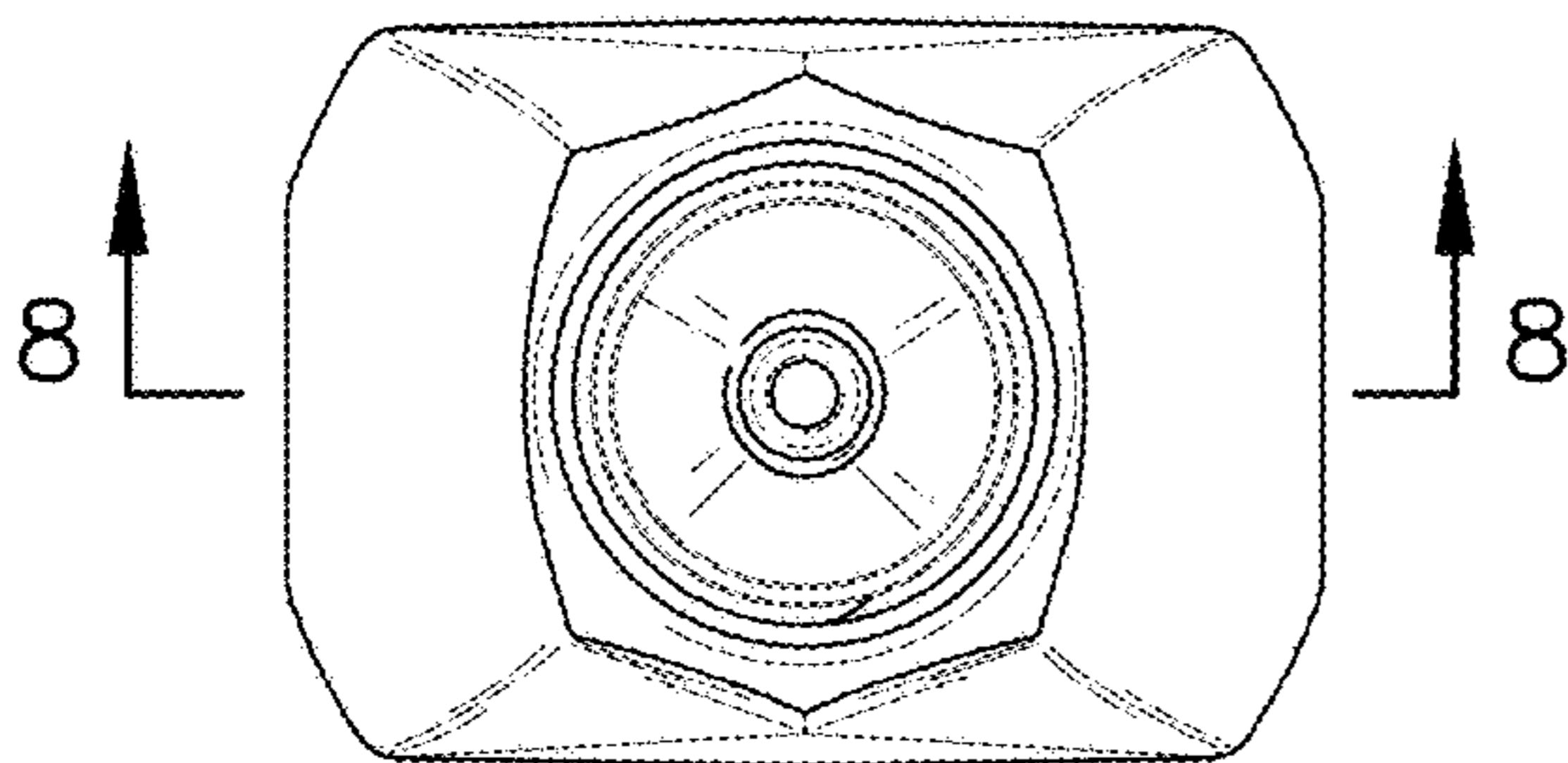




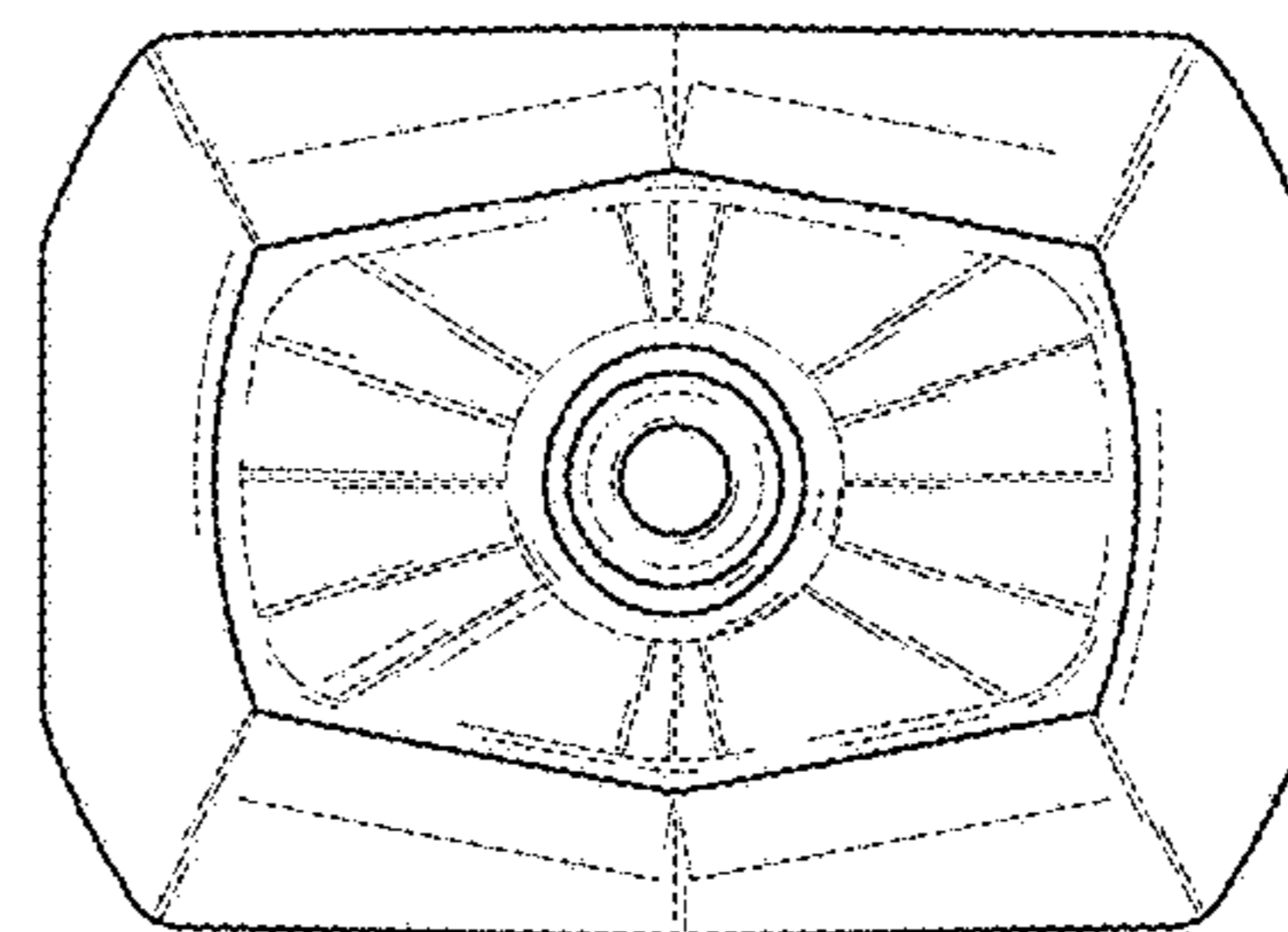
**Fig. 1**



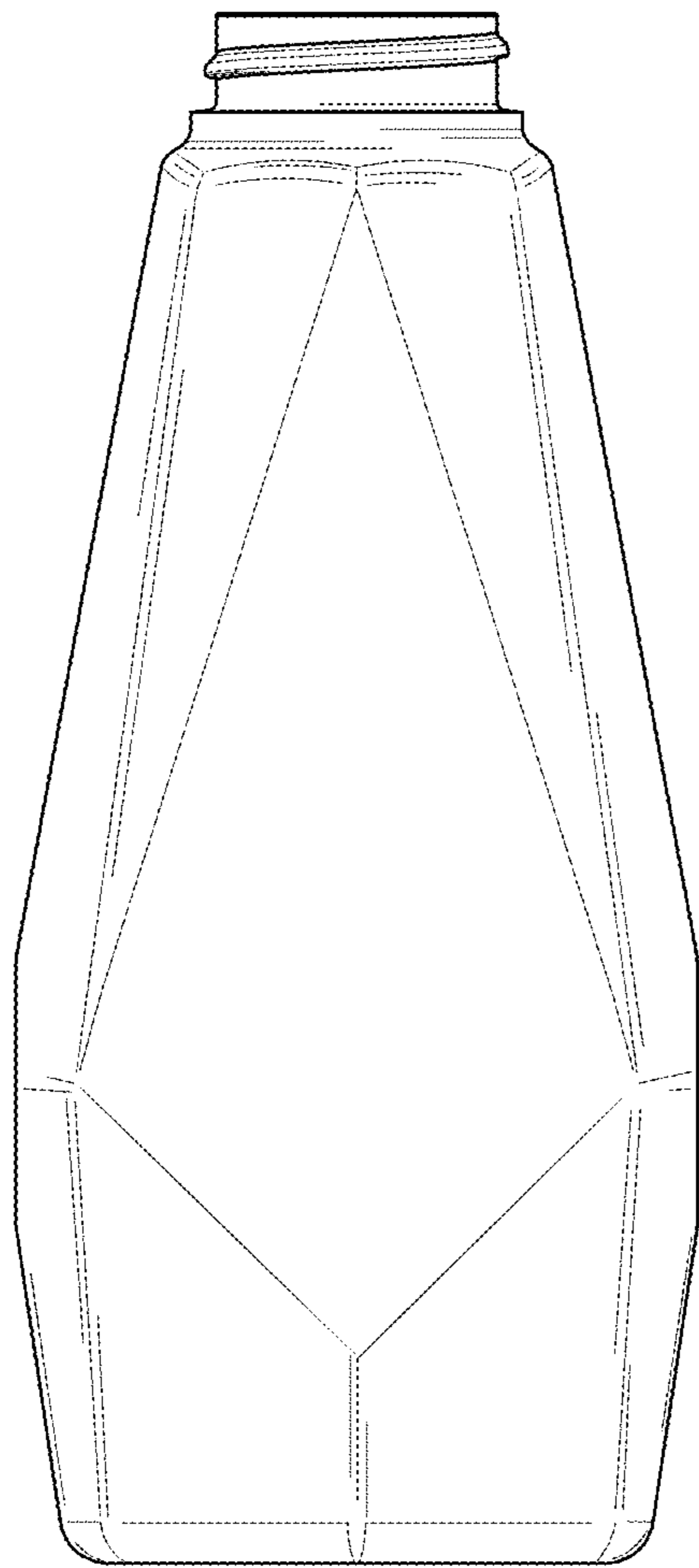
**Fig. 2**



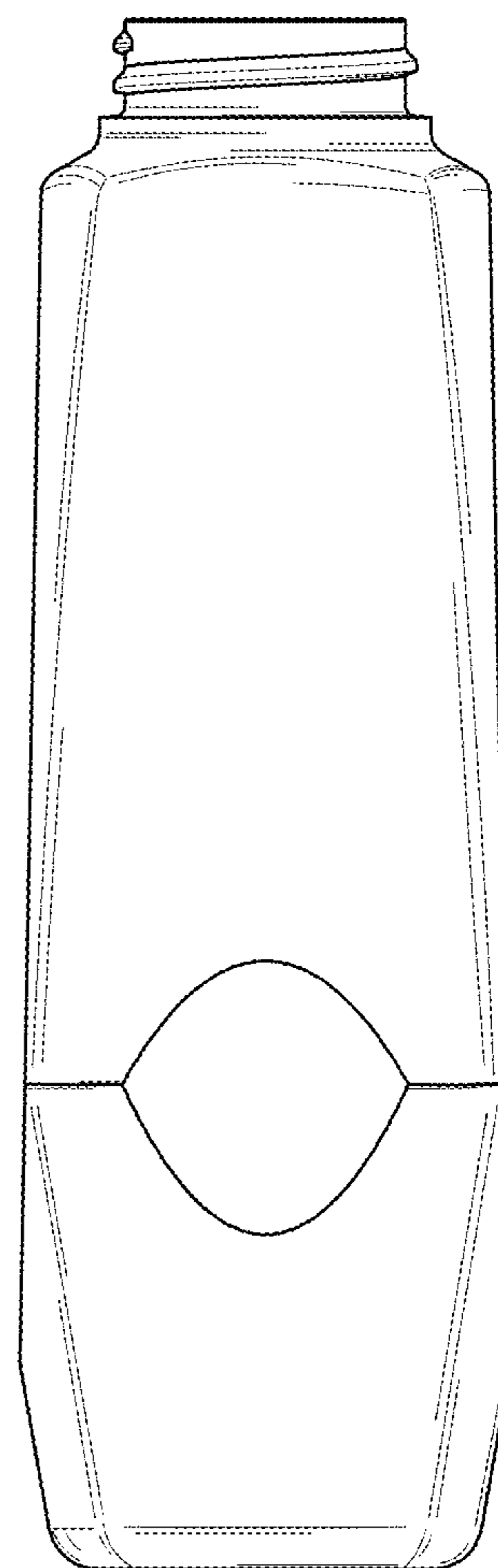
**Fig. 3**



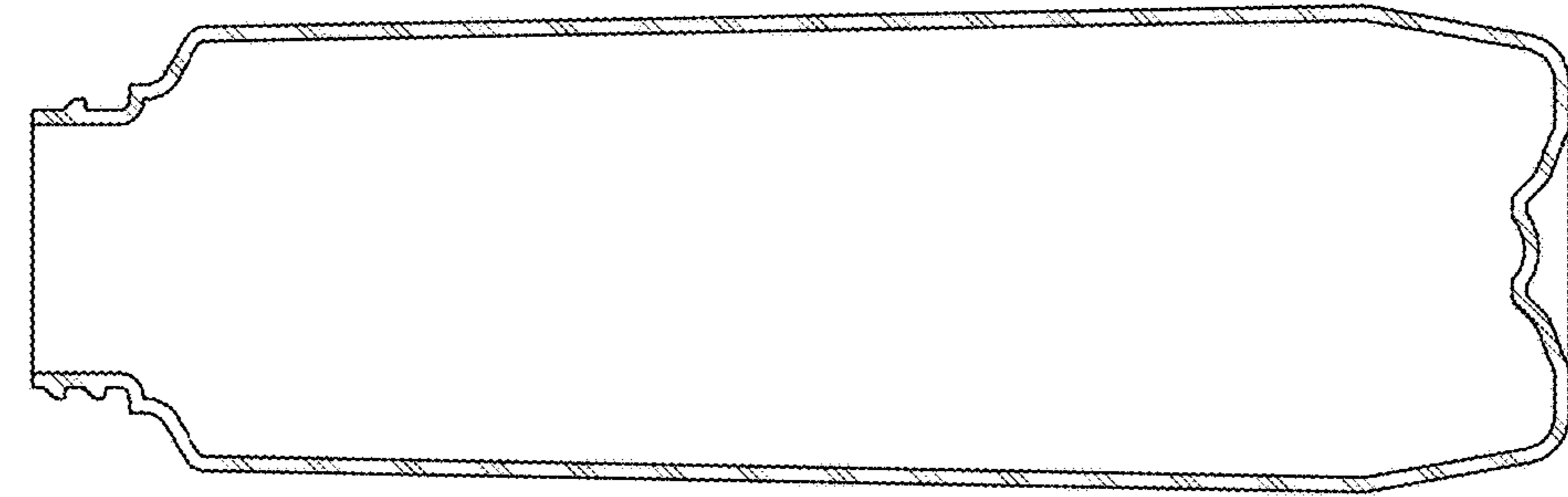
**Fig. 4**



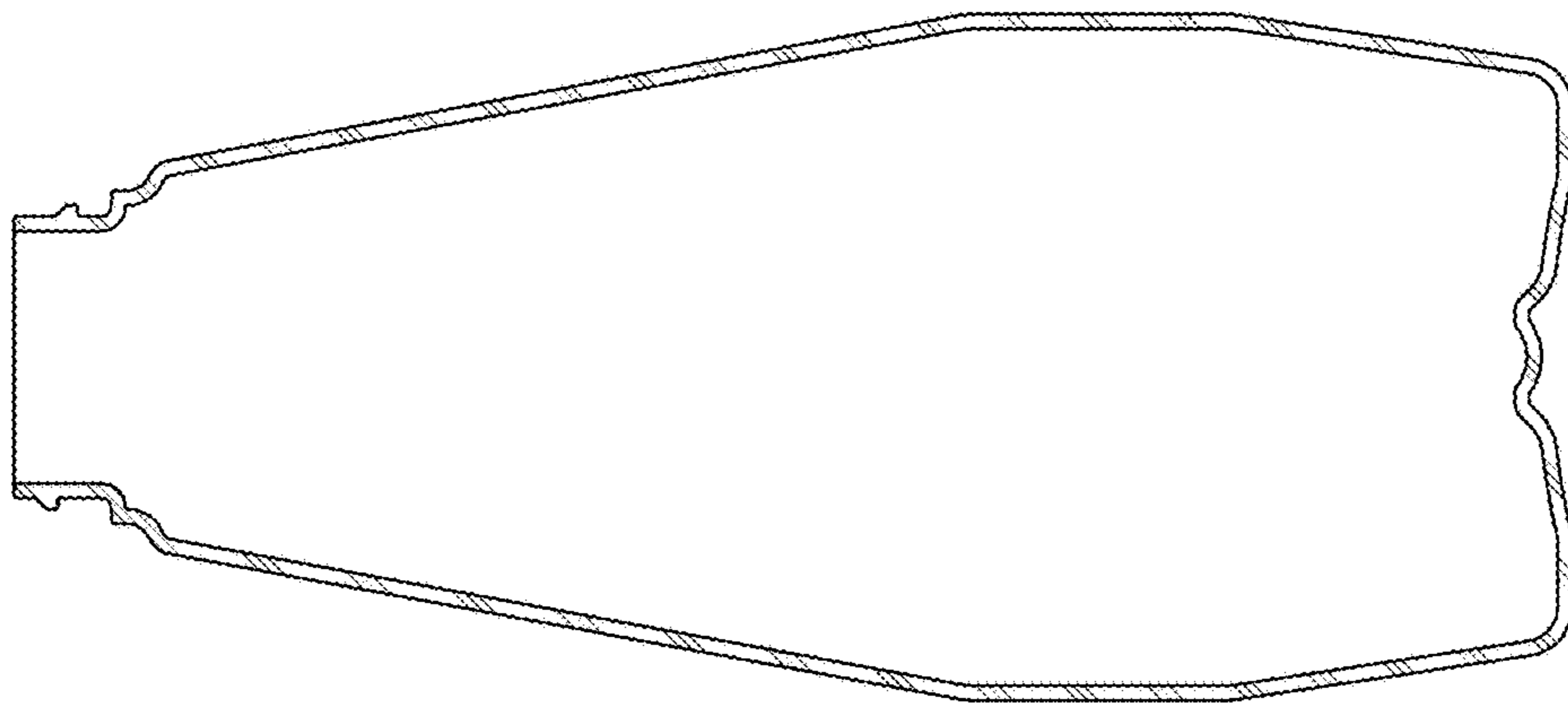
**Fig. 5**



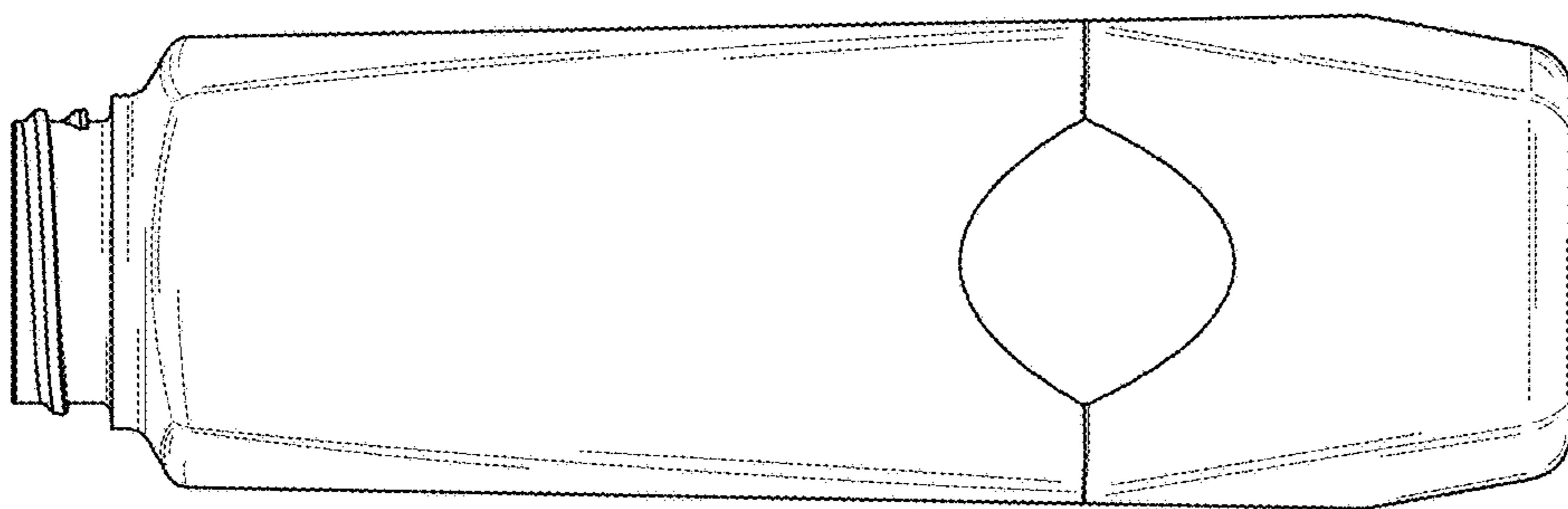
**Fig. 6**



**Fig. 9**



**Fig. 8**



**Fig. 7**