



US00D833281S

(12) **United States Design Patent**
Orcutt

(10) **Patent No.:** **US D833,281 S**

(45) **Date of Patent:** **** Nov. 13, 2018**

(54) **COMBINED HOLDER FOR A DRINK
CONTAINER AND BOTTLE OPENER**

5/00; A45F 2200/0583; B67D 3/0032;
B67D 3/0061; G01F 11/262

See application file for complete search history.

(71) Applicant: **Matthew Orcutt**, Fort Wayne, IN (US)

(56)

References Cited

(72) Inventor: **Matthew Orcutt**, Fort Wayne, IN (US)

U.S. PATENT DOCUMENTS

(**) Term: **15 Years**

D277,719 S * 2/1985 Spaneas D6/596
D307,225 S * 4/1990 Freidenfelds D7/619.1
D403,470 S * 12/1998 Litton D28/82
D421,372 S * 3/2000 Wysopal D3/211
D433,649 S * 11/2000 Buettell D11/200
D435,961 S * 1/2001 Weinstock D3/215
D439,816 S * 4/2001 Wysopal D8/38

(21) Appl. No.: **29/600,020**

(Continued)

(22) Filed: **Apr. 9, 2017**

(51) **LOC (11) Cl.** **09-07**

FOREIGN PATENT DOCUMENTS

(52) **U.S. Cl.**

USPC **D9/455**; D8/33

CA 2410383 A1 * 5/2004 A45F 5/02

(58) **Field of Classification Search**

OTHER PUBLICATIONS

USPC D3/20, 202, 203.1, 203.2, 203, 208, 215,
D3/220, 303, 318; D7/387, 388, 306.1,
D7/396.2, 401.1, 602, 619.1-625, 681,
D7/701-708, 300, 302, 318, 509, 510,
D7/534, 543, 589, 590, 601, 622;
D9/337, 434, 435, 436, 443, 444, 445,
D9/446, 455, 499, 516, 517, 529, 530,
D9/542, 543, 552, 565, 574, 575, 682,
D9/686, 687, 693, 694, 702, 703, 704,
D9/706; D11/130, 131, 131.1, 143, 148,
D11/200, 212, 220, 222; D8/33, 34

Bottle Opener Keychain: Announced Dec. 14, 2014 [online]. Site
Visited [Feb. 9, 2018]. Available from Internet URL: <https://www.etsy.com/listing/212679558/bottle-opener-keychain-mens-gift-for?ref=related-4>.*

(Continued)

CPC B65D 85/14; B65D 43/02; B65D 43/161;
B65D 25/04; B65D 25/10; B65D
25/2805; B65D 47/06; B65D 47/08;
B65D 47/0866; B65D 23/001; B65D
23/003; A47G 19/00; A47G 19/22; A47G
19/2205; A47G 19/2272; A47G 7/00;
A47G 7/04; A47G 2019/122; A47J 41/02;
A61M 5/14; A61M 5/1414; A61M
5/1417; Y10S 215/03; A61J 1/16; A47K
5/13; A45F 2005/008; A45F 5/10; A45F

Primary Examiner — Jennifer Rivard
Assistant Examiner — Catherine S Posthauer
(74) *Attorney, Agent, or Firm* — Laurence T. Pearson

(57)

CLAIM

I claim the ornamental design for a combined holder for a
drink container and bottle opener, as shown and described.

DESCRIPTION

FIG. 1 is a perspective view of a combined holder for a drink
container and bottle opener showing my new design.
FIG. 2 is a front view thereof;
FIG. 3 is a rear view thereof;
FIG. 4 is a side view thereof;
FIG. 5 is a side view thereof from the opposite side to FIG.
4;

(Continued)

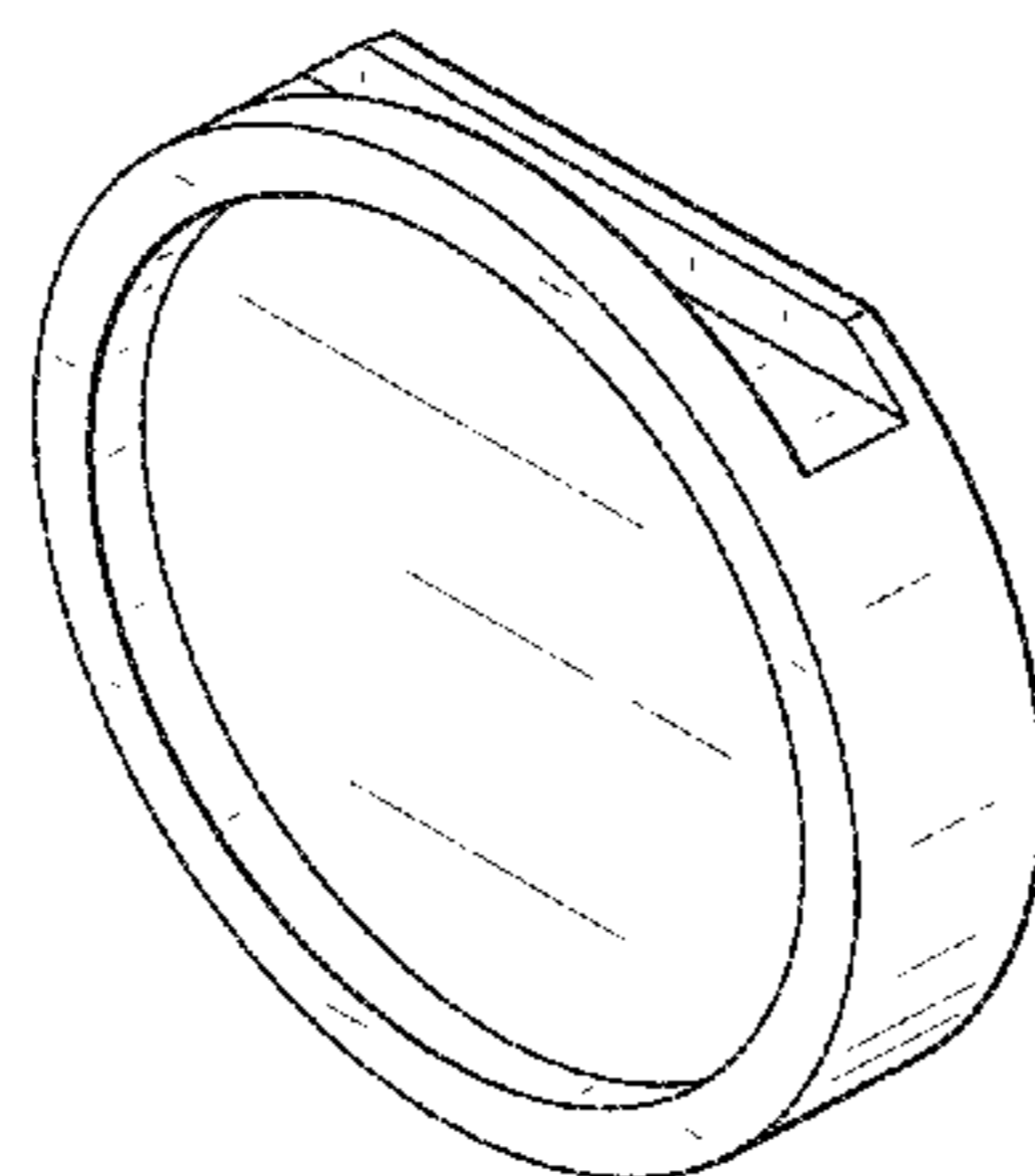


FIG. 6 is a top view thereof; and,
 FIG. 7 is a bottom view thereof.
 The broken lines are shown for the purpose of illustrating
 parts of the article that form no part of the claim.

1 Claim, 4 Drawing Sheets

(56)

References Cited

U.S. PATENT DOCUMENTS

D442,449 S * 5/2001 McQuillan D8/40
 D443,804 S * 6/2001 Wysopal D3/211
 D508,183 S * 8/2005 Lambden D20/19
 D557,166 S * 12/2007 Wysopal D11/26
 D593,411 S * 6/2009 Bizzell D9/434
 D595,130 S * 6/2009 Bizzell D9/434
 D608,541 S * 1/2010 Myers D3/215
 D625,183 S * 10/2010 Bartsch D9/434
 D631,780 S * 2/2011 Levy D11/87

D706,167 S * 6/2014 McIntyre D11/222
 D712,308 S * 9/2014 Weber D11/222
 D739,222 S * 9/2015 Chadbourne D8/394
 D763,730 S * 8/2016 Nielsen D11/222
 D771,324 S * 11/2016 Churchill D30/153
 D786,071 S * 5/2017 Miller D9/435
 D796,283 S * 9/2017 Kiela, II D8/33
 D805,294 S * 12/2017 Edwards D3/203.2
 D807,171 S * 1/2018 Miller D9/435
 D807,977 S * 1/2018 Lee D21/789
 2004/0226145 A1* 11/2004 Ouellette A44B 1/14
 24/113 MP
 2014/0116354 A1* 5/2014 Harris, II A01K 27/004
 119/770

OTHER PUBLICATIONS

2 in 1 Jarrah Bottle Opener: Announced Oct. 12, 2014 [online]. Site
 Visited Feb. 8, 2018. Available from Internet URL: <https://www.youtube.com/watch?v=amRzyOFmHSs>.*

* cited by examiner

FIG. 1

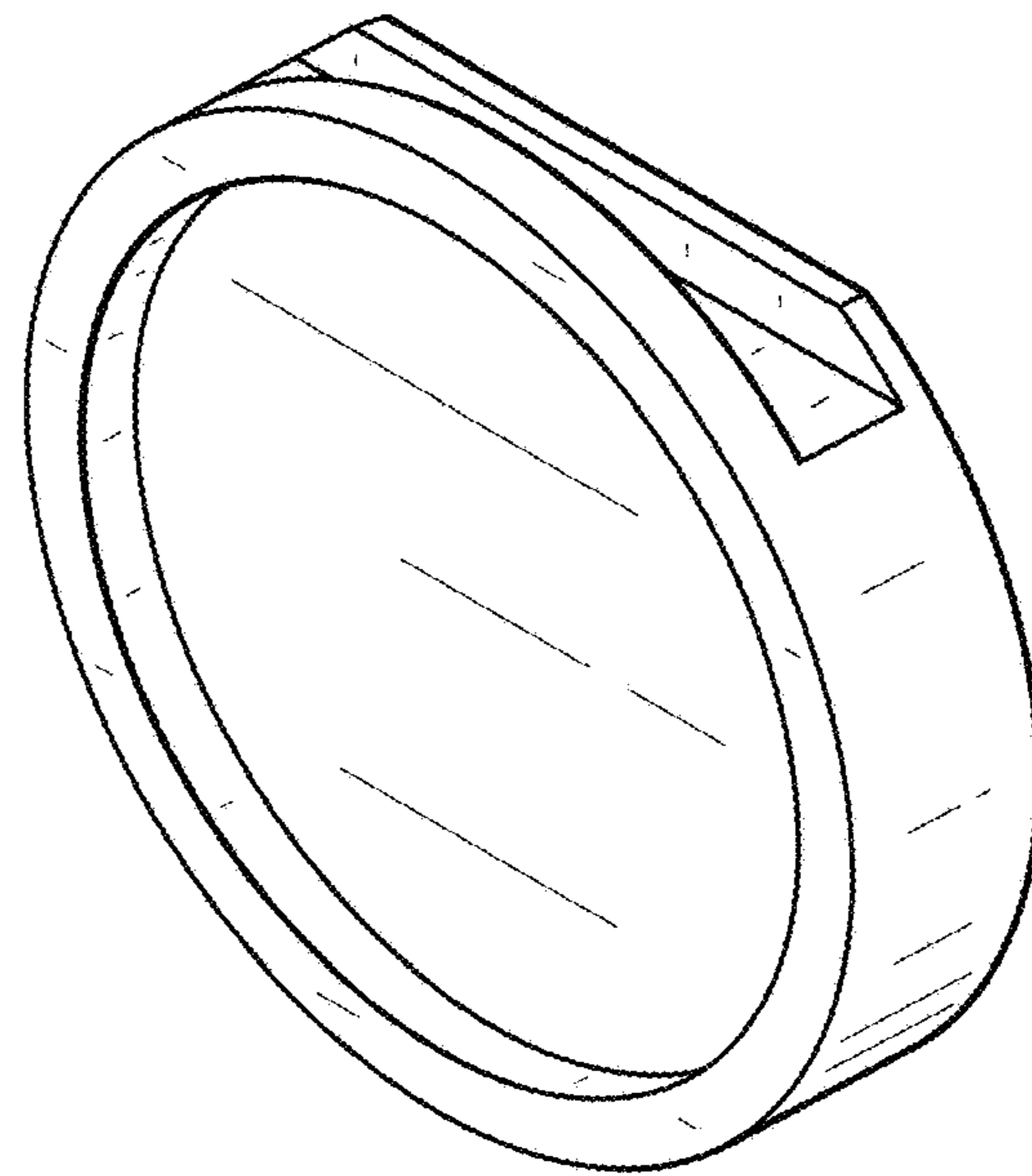


FIG. 2

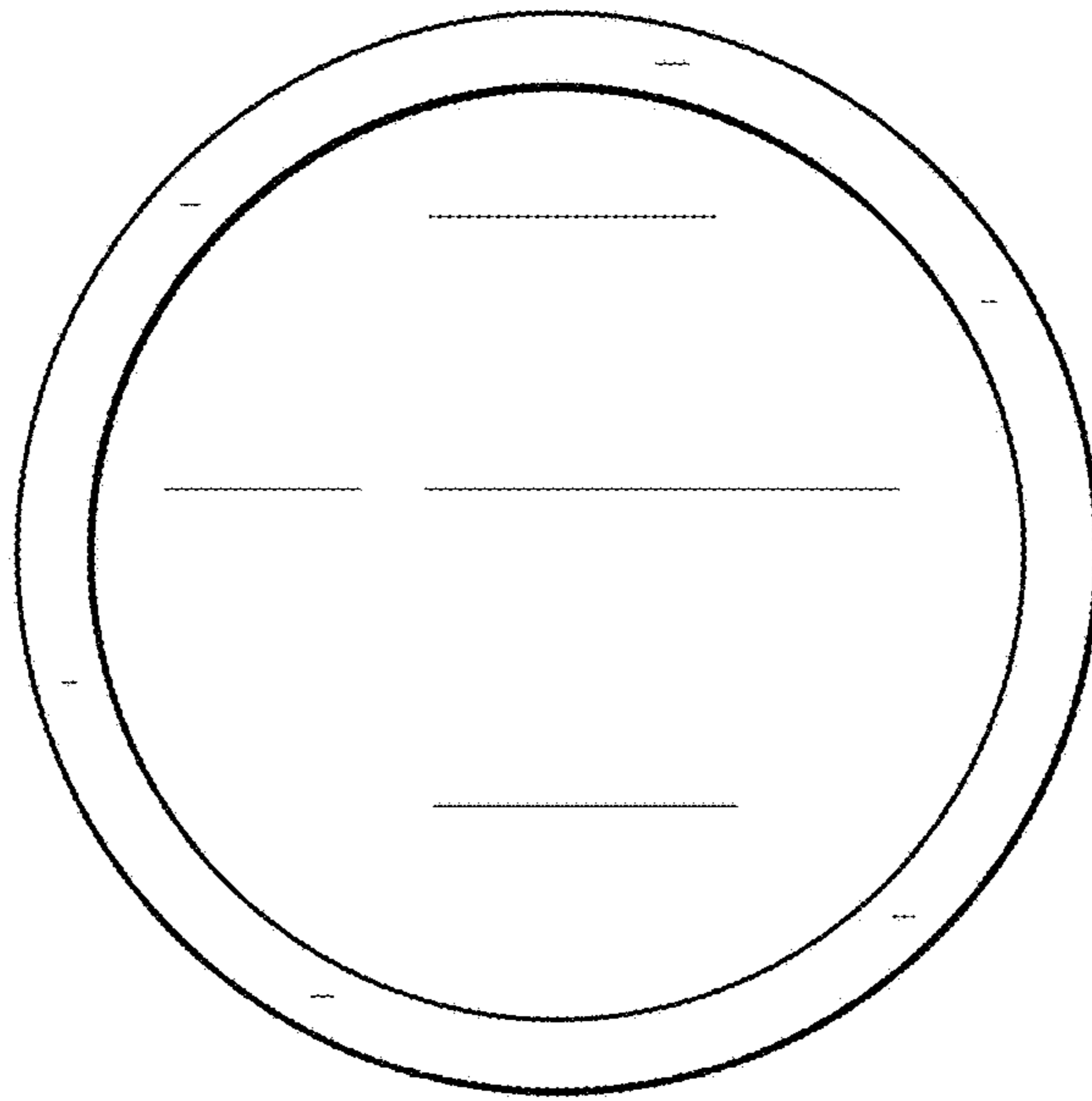


FIG. 3

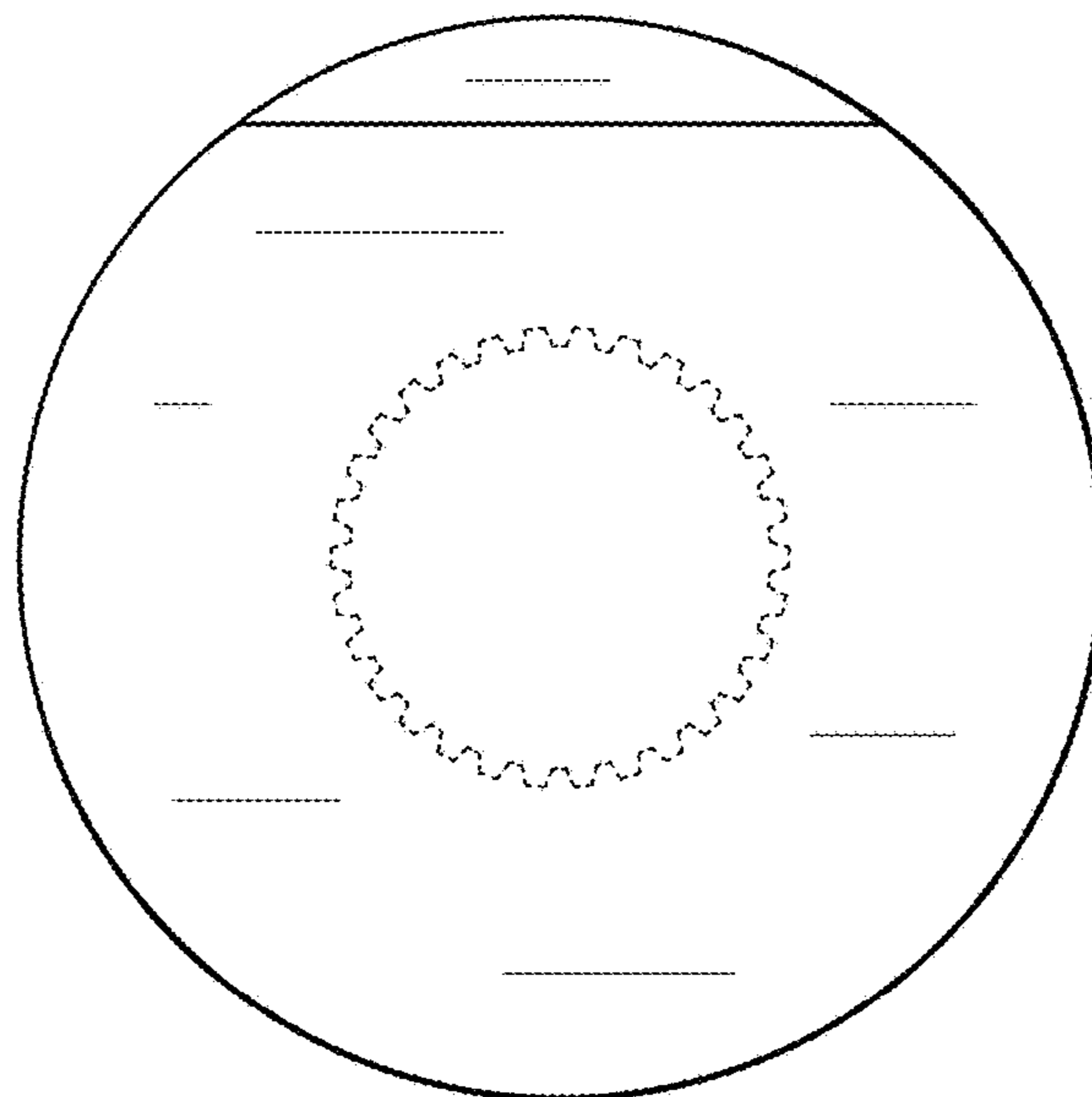


FIG. 4

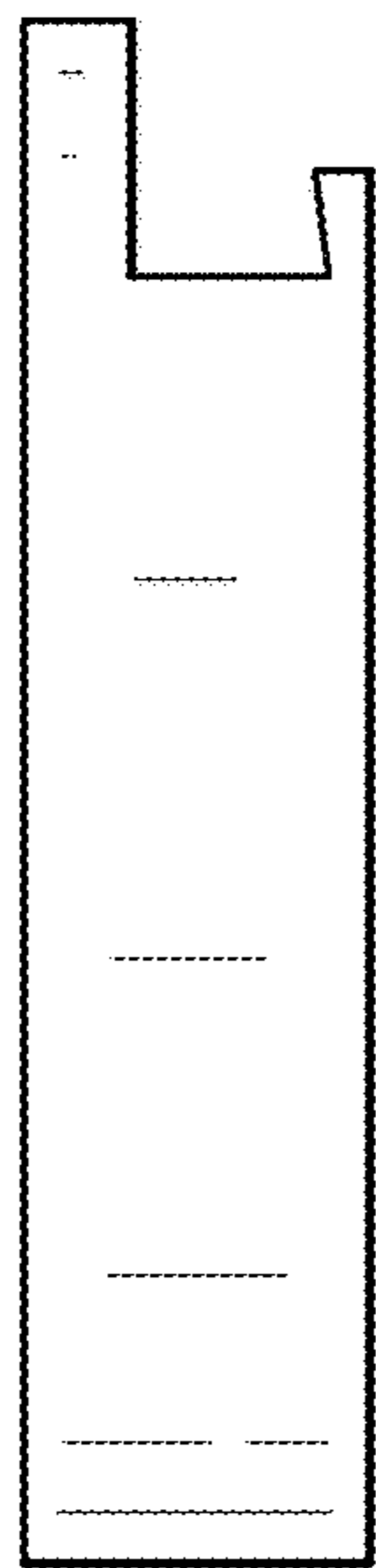


FIG. 5

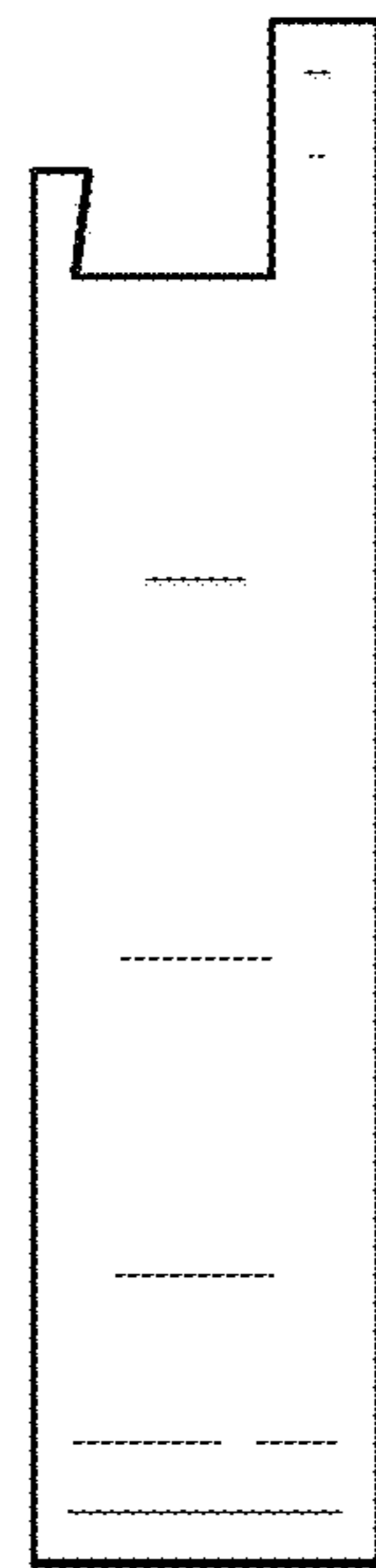


FIG. 6

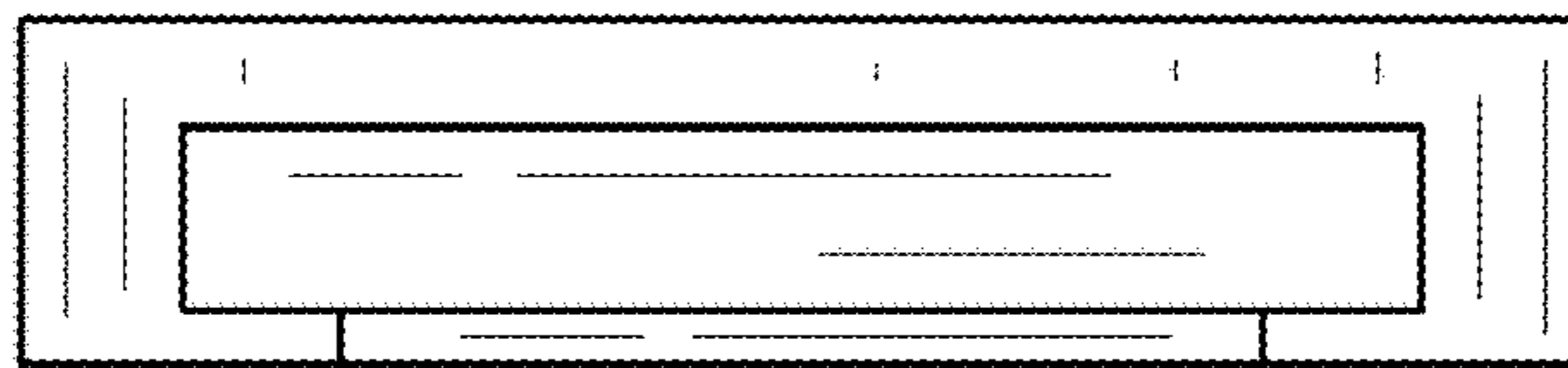


FIG. 7

