



US00D833278S

(12) **United States Design Patent** (10) **Patent No.:** **US D833,278 S**
Pellerin et al. (45) **Date of Patent:** **** Nov. 13, 2018**

(54) **CLOSURE FOR A CONTAINER**

(71) Applicant: **BERICAP**, Longvic (FR)

(72) Inventors: **Philippe Pellerin**, Dijon (FR);
Anne-Cécile Ropele, Dijon (FR)

(73) Assignee: **Bericap**, Longvic (FR)

(**) Term: **14 Years**

(21) Appl. No.: **29/519,051**

(22) Filed: **Mar. 2, 2015**

(30) **Foreign Application Priority Data**

Sep. 3, 2014 (EM) 002530063-0001

(51) **LOC (11) Cl.** **09-07**

(52) **U.S. Cl.**
USPC **D9/449**

(58) **Field of Classification Search**

USPC D9/429, 434-436, 439-454, 499, 600,
D9/601, 614-617, 620, 623, 624, 628;
D7/387, 392, 393, 396.2, 510, 511,
D7/514-517, 598, 599, 612.2, 623, 628;
D3/202, 294, 318

CPC A61J 1/1412; B65D 1/02; B65D 1/323;
B65D 1/0246; B65D 25/40; B65D 25/42;
B65D 25/44; B65D 41/56; B65D 41/62;
B65D 47/06; B65D 47/08

See application file for complete search history.

(56) **References Cited**

U.S. PATENT DOCUMENTS

2,162,752 A	6/1939	Schauer
2,162,754 A	6/1939	Schauer
2,361,464 A	10/1944	Edwards et al.
D156,280 S	11/1949	Rosenthal
2,961,119 A	11/1960	Leach
3,117,701 A	1/1964	Stull
3,463,341 A	8/1969	Fields

D226,555 S	3/1973	Weber
3,823,841 A	7/1974	Lovejoy
3,892,326 A	7/1975	Schneible
3,920,141 A	11/1975	Bojardi
3,944,102 A	3/1976	Grau et al.
4,007,857 A	2/1977	Tomati et al.
4,299,328 A	11/1981	Ochs et al.
4,322,009 A	3/1982	Mumford

(Continued)

FOREIGN PATENT DOCUMENTS

CA	1196606 A1	11/1985
CA	2012047 A1	9/1990

(Continued)

OTHER PUBLICATIONS

U.S. Appl. No. 29/485,327, filed Mar. 18, 2014, Philippe Pellerin.

Primary Examiner — Karen S Acker

Assistant Examiner — Wendy K Arminio

(74) *Attorney, Agent, or Firm* — Harness, Dickey & Pierce, PLC

(57) **CLAIM**

We claim the ornamental design for a closure for a container, as shown and described.

DESCRIPTION

FIG. 1 is a perspective view showing a closure for a container of our invention;

FIG. 2 is a front elevational view thereof;

FIG. 3 is a rear elevational view thereof;

FIG. 4 is a left side elevational view thereof;

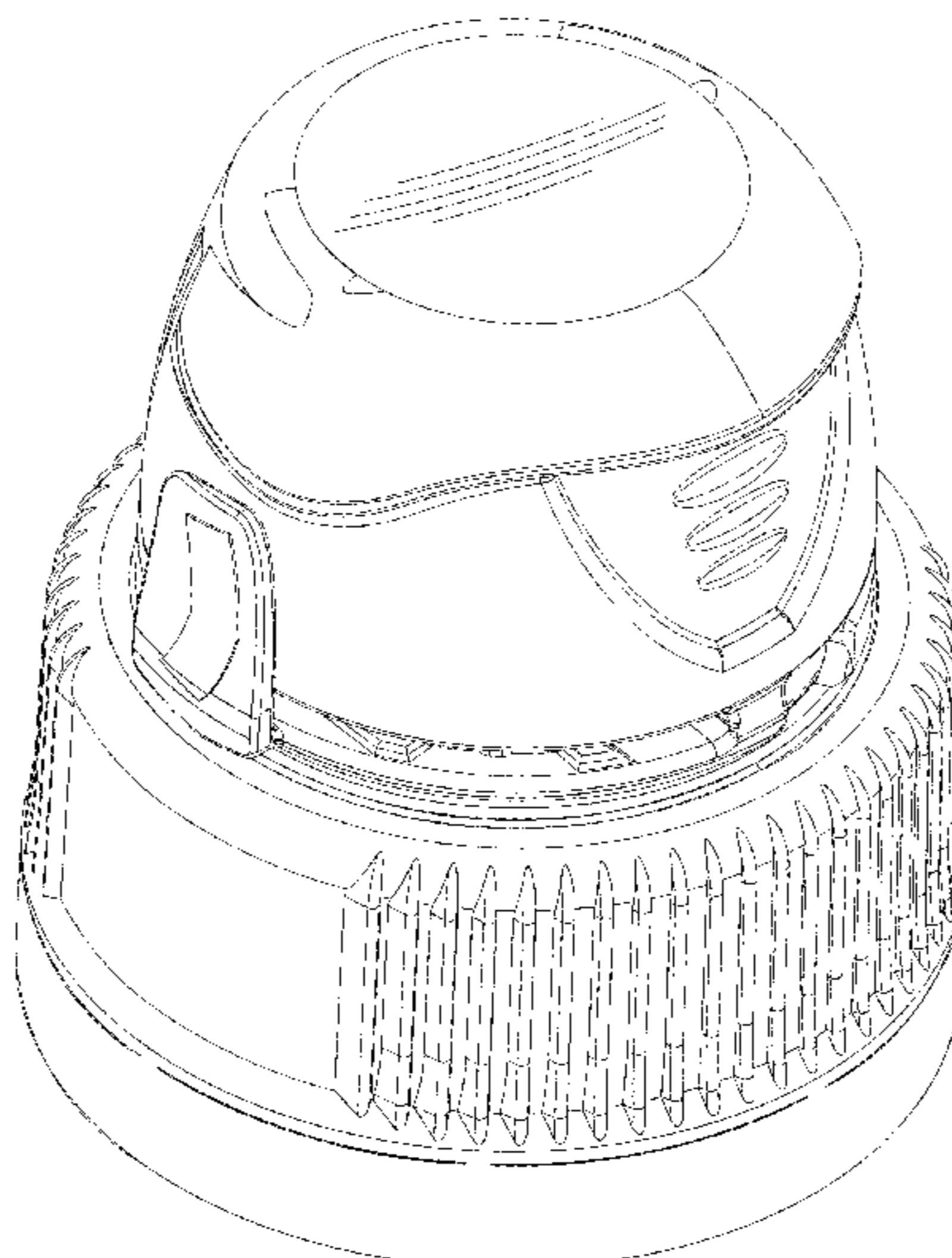
FIG. 5 is a right side elevational view thereof;

FIG. 6 is a top plan view thereof; and,

FIG. 7 is a bottom plan view thereof.

The broken lines depict portions of the closure for a container that form no part of the claimed design.

1 Claim, 7 Drawing Sheets



(56)

References Cited

U.S. PATENT DOCUMENTS

4,322,012 A	3/1982	Conti	5,788,100 A	8/1998	Sturk
4,371,089 A	2/1983	Barendregt	D398,851 S	9/1998	Gaiser et al.
4,418,828 A	12/1983	Wilde et al.	5,799,840 A	9/1998	Mogard
4,442,947 A	4/1984	Banich, Sr.	5,803,286 A	9/1998	Pfefferkorn et al.
4,457,438 A	7/1984	Varlet et al.	5,810,184 A	9/1998	Adams et al.
4,458,820 A	7/1984	Abrams	5,810,185 A	9/1998	Groesbeck
4,474,301 A	10/1984	Davis	D399,744 S	10/1998	Gross
4,487,324 A	12/1984	Ostrowsky	5,823,377 A	10/1998	Krautkramer
4,489,845 A	12/1984	Aichinger et al.	5,839,611 A	11/1998	Obadia et al.
4,494,663 A	1/1985	Bertaud et al.	5,846,471 A	12/1998	Thakor et al.
D280,802 S	10/1985	Cho	D405,012 S	2/1999	Krautkramer
4,546,892 A	10/1985	Couput	5,871,111 A	2/1999	Pfefferkorn et al.
4,564,112 A	1/1986	Breuer	5,913,434 A	6/1999	Fukuhara et al.
4,565,294 A	1/1986	Smith	5,934,496 A	8/1999	Mogard et al.
4,595,123 A	6/1986	Libit	5,960,992 A	10/1999	Bernstein et al.
4,598,833 A	7/1986	Herr	5,964,363 A	10/1999	Kelly et al.
4,619,377 A	10/1986	Roos	5,967,376 A	10/1999	McLelland et al.
4,635,823 A	1/1987	Stull	5,975,369 A	11/1999	Yurkewicz et al.
4,709,823 A	12/1987	Beck et al.	5,992,659 A	11/1999	Nofer et al.
4,711,363 A	12/1987	Marino	D419,447 S	1/2000	Molloy
4,733,787 A	3/1988	Knopf et al.	6,021,912 A	2/2000	Hertrampf
4,746,025 A	5/1988	Krautkramer et al.	6,050,434 A	4/2000	McNab
4,747,501 A	5/1988	Greaves	6,079,589 A	6/2000	Matsuyama et al.
4,795,044 A	1/1989	Beck	6,095,382 A	8/2000	Gross
4,805,807 A	2/1989	Perne et al.	6,116,443 A	9/2000	Parrinello
4,830,224 A	5/1989	Brison	6,116,477 A	9/2000	Kreiseder et al.
D302,120 S	7/1989	Niwa et al.	6,119,883 A	9/2000	Hock et al.
4,874,101 A	10/1989	Zalut	6,185,906 B1	2/2001	Mogard et al.
4,884,705 A	12/1989	Debetencourt	6,223,918 B1	5/2001	Browne
4,909,404 A	3/1990	Rozenberg	6,279,779 B1	8/2001	Laciacara et al.
4,936,475 A	6/1990	Montgomery	6,325,226 B1	12/2001	Krautkramer
4,981,230 A	1/1991	Marshall et al.	6,356,019 B1	3/2002	Hutcherson et al.
4,984,699 A	1/1991	Zalut	6,382,462 B1	5/2002	Ostergaard-Nielsen et al.
5,005,718 A	4/1991	Buono	6,398,075 B1	6/2002	Laciacara et al.
5,007,545 A	4/1991	Imbery, Jr.	6,401,982 B1	6/2002	Grittmann
5,007,546 A	4/1991	Rose et al.	6,422,412 B1	7/2002	Sagawa
5,007,555 A	4/1991	Beck	D463,280 S	9/2002	Brozell
5,020,690 A	6/1991	Kishika et al.	6,450,357 B1	9/2002	Krautkramer et al.
D319,981 S	9/1991	Sledge	6,450,367 B1	9/2002	Sittler
5,046,629 A	9/1991	Weile	6,478,184 B2	11/2002	Berge et al.
5,052,568 A	10/1991	Simon	D480,305 S	10/2003	Nusbaum et al.
5,058,755 A	10/1991	Hayes	6,673,298 B2	1/2004	Krueger
5,080,246 A	1/1992	Hayes	D490,315 S	5/2004	Kiser
5,085,332 A	2/1992	Gettig et al.	6,793,101 B2	9/2004	Shinozaki et al.
5,090,581 A	2/1992	Rose et al.	6,817,276 B1	11/2004	Kowal
5,090,788 A	2/1992	Ingram et al.	6,820,764 B2	11/2004	Miani et al.
5,104,008 A	4/1992	Crisci	D512,634 S	12/2005	Illenberger et al.
5,115,932 A	5/1992	Schneider	7,036,683 B2	5/2006	Dubach
5,147,054 A	9/1992	Pehr	7,077,278 B2	7/2006	Dubach
5,176,278 A	1/1993	Quarberg	7,077,294 B2	7/2006	Nusbaum et al.
5,219,507 A	6/1993	Ingram et al.	D530,611 S	10/2006	Nusbaum et al.
5,289,932 A	3/1994	Dimeo et al.	D556,575 S	12/2007	Nusbaum et al.
5,297,688 A	3/1994	Beck et al.	7,344,039 B2	3/2008	Bixler et al.
5,297,696 A	3/1994	Bernstein et al.	D578,000 S *	10/2008	Zoppas D9/438
5,325,983 A	7/1994	Imai et al.	D580,264 S *	11/2008	Szasz D9/447
5,335,802 A	8/1994	Brach et al.	D581,790 S *	12/2008	Hyde D9/449
5,356,019 A	10/1994	Kelly	D582,276 S *	12/2008	Hyde D9/453
5,395,015 A	3/1995	Bolen, Jr. et al.	D592,057 S *	5/2009	Guerin D9/449
5,400,912 A	3/1995	Brown et al.	7,611,025 B2	11/2009	Nusbaum et al.
5,417,350 A	5/1995	Koo	D623,517 S	9/2010	Pechinot
5,482,176 A	1/1996	Maietta et al.	D625,605 S *	10/2010	Bardet D9/449
D367,424 S	2/1996	Thanisch	D630,093 S *	1/2011	Bardet D9/438
D374,821 S	10/1996	Johnson	8,231,018 B2	7/2012	Gassner
5,566,864 A	10/1996	Stolz	D672,650 S *	12/2012	Wisniewski D9/443
5,605,240 A	2/1997	Guglielmini	D672,651 S *	12/2012	Gregory D9/443
5,641,099 A	6/1997	McLelland et al.	D672,653 S *	12/2012	Antier D9/443
5,648,037 A	7/1997	Franchet et al.	D673,043 S *	12/2012	Antier D9/443
5,660,290 A	8/1997	Hayes	8,403,159 B2 *	3/2013	Antier B65D 47/0861
5,662,247 A	9/1997	Rapchak et al.			215/216
D385,491 S	10/1997	Mueller et al.	8,608,001 B2 *	12/2013	Stoneberg B65D 47/0819
5,685,444 A	11/1997	Valley			215/235
5,725,115 A	3/1998	Bosl et al.	8,708,175 B2 *	4/2014	Smith B65D 43/0235
5,762,228 A	6/1998	Morgan et al.			215/235
5,785,193 A	7/1998	Kobayashi et al.	D738,737 S *	9/2015	McCay D9/449
5,785,213 A	7/1998	Guillot	D747,201 S *	1/2016	Pellerin D9/449
			9,439,523 B2 *	9/2016	Naesje A47G 19/2272
			2002/0079618 A1	6/2002	Krueger
			2002/0179605 A1	12/2002	Miani et al.
			2003/0098285 A1	5/2003	Gregory et al.

(56)

References Cited

U.S. PATENT DOCUMENTS

2004/0188374 A1* 9/2004 Ochoa Laburu B65D 41/34
215/235
2005/0173367 A1* 8/2005 Nusbaum B65D 47/0828
215/237
2005/0173368 A1* 8/2005 Nusbaum B65D 47/0838
215/237
2005/0189312 A1 9/2005 Bixler et al.
2007/0090080 A1 4/2007 Lohrman et al.
2007/0102389 A1* 5/2007 Hoepner B65D 47/0885
215/235
2007/0102391 A1* 5/2007 Hoepner B65D 47/0885
215/235
2007/0251911 A1 11/2007 Russell
2009/0057261 A1 3/2009 Ma et al.
2009/0152269 A1* 6/2009 Pucci B65D 47/0823
220/254.3
2010/0170910 A1* 7/2010 Ludewigs B65D 47/0838
220/810
2010/0252556 A1 10/2010 Krautkramer
2010/0264144 A1 10/2010 Nusbaum et al.
2011/0000928 A1* 1/2011 Antier B65D 47/0857
220/801
2013/0270306 A1 10/2013 Krautkramer
2015/0375908 A1* 12/2015 Rognard B65D 47/0828
215/235

FOREIGN PATENT DOCUMENTS

CA 2257573 A1 12/1997
DE 3139526 A1 4/1983
DE 3811362 A1 6/1989

DE 19708909 A1 9/1998
DE 19712364 A1 10/1998
DE 19734874 A1 2/1999
DE 202004015939 U1 12/2004
DE 102007005595 A1 8/2007
DE 102007005594 A1 8/2008
EP 0149496 A2 7/1985
EP 0460557 A2 12/1991
EP 0529383 A2 3/1993
ES 1002990 U 7/1988
FR 1303608 A 9/1962
FR 2309425 A1 11/1976
FR 2407140 A1 5/1979
FR 2558444 A1 7/1985
FR 2744101 A1 8/1997
FR 2765194 A1 12/1998
GB 1140840 A 1/1969
GB 1522692 A 8/1978
GB 1530158 A 10/1978
GB 1569781 A 6/1980
GB 2159123 A 11/1985
GB 2200619 A 8/1988
GB 2353519 A 2/2001
JP 200172102 3/2001
WO WO-8303809 A1 11/1983
WO WO-9217379 A1 10/1992
WO WO-9602430 A1 2/1996
WO WO-9942375 A1 8/1999
WO WO-9962776 A1 12/1999
WO WO-0027722 A1 5/2000
WO WO-0076875 A1 12/2000
WO WO-0142103 A1 6/2001
WO WO-0154999 A1 8/2001
WO WO-2005067588 A2 7/2005

* cited by examiner

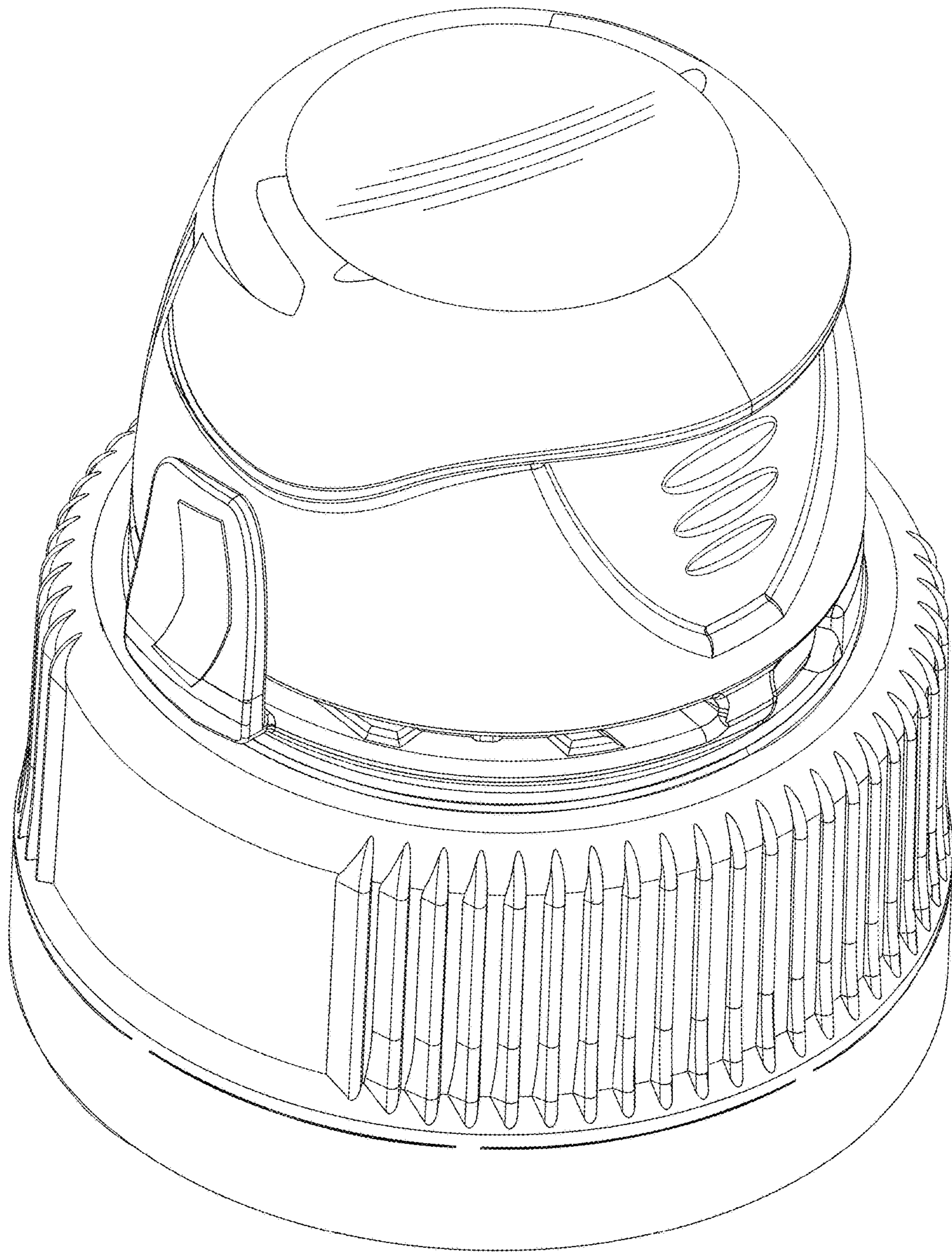


FIG. 1

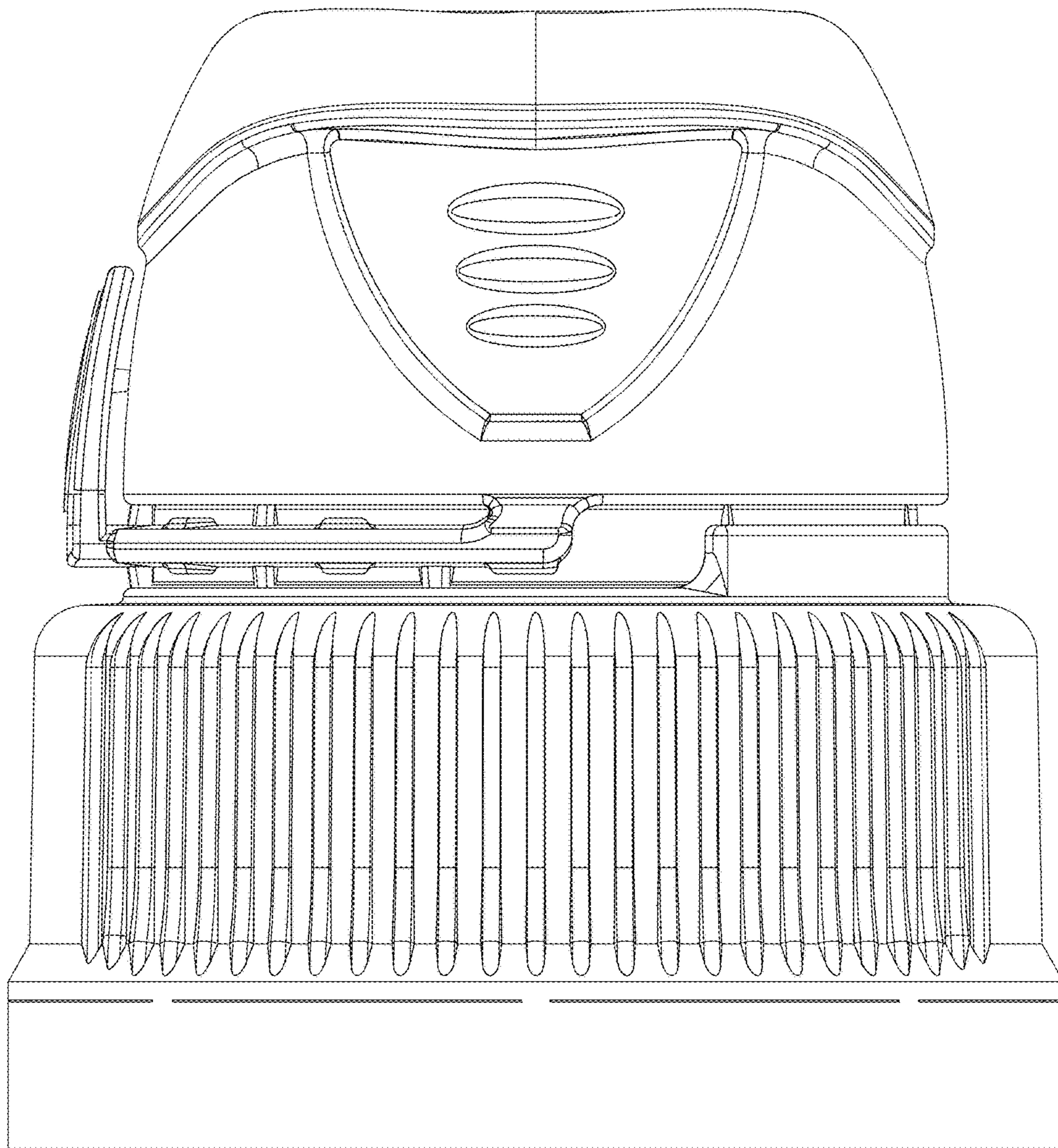


FIG. 2

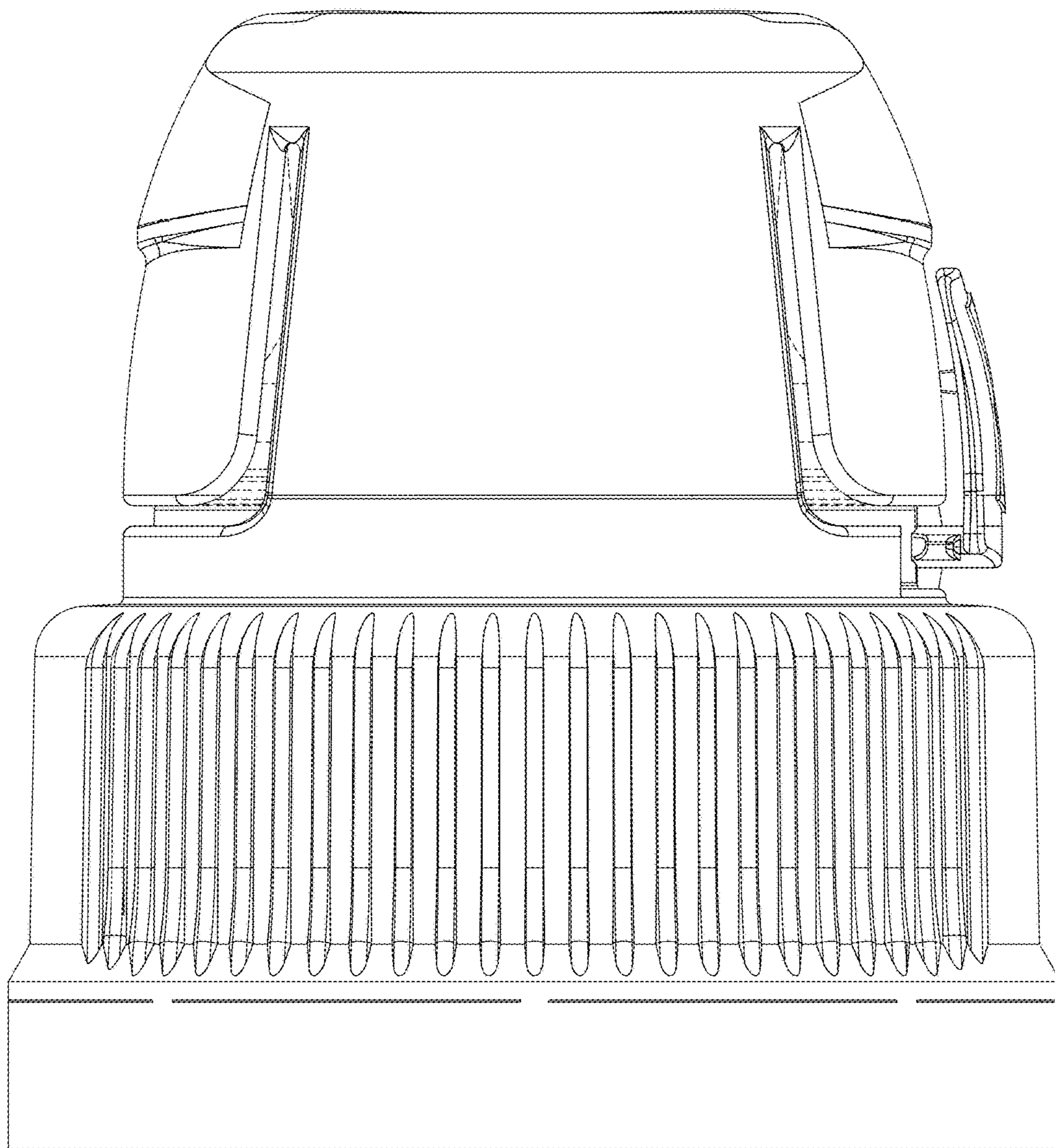


FIG. 3

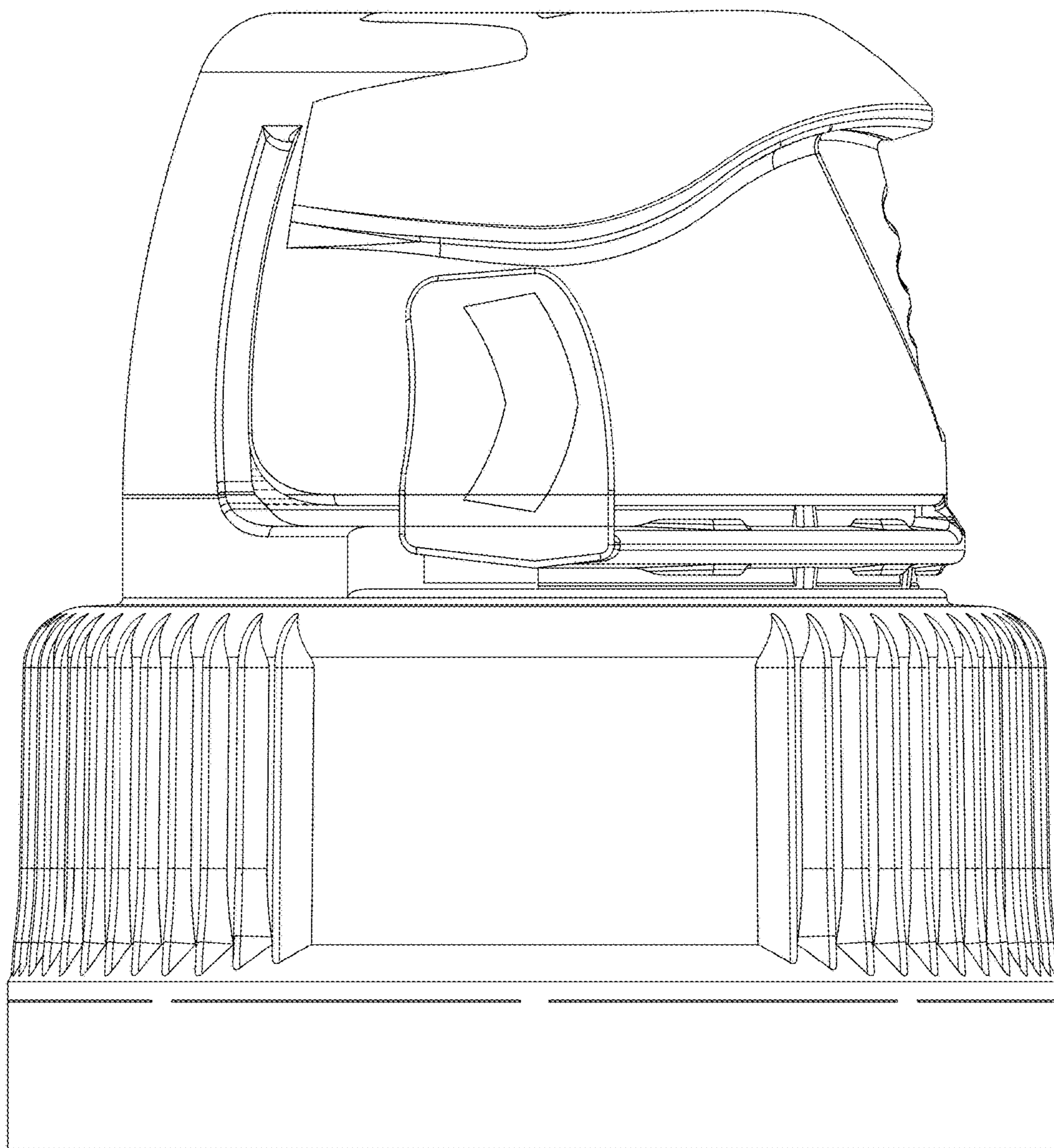


FIG. 4

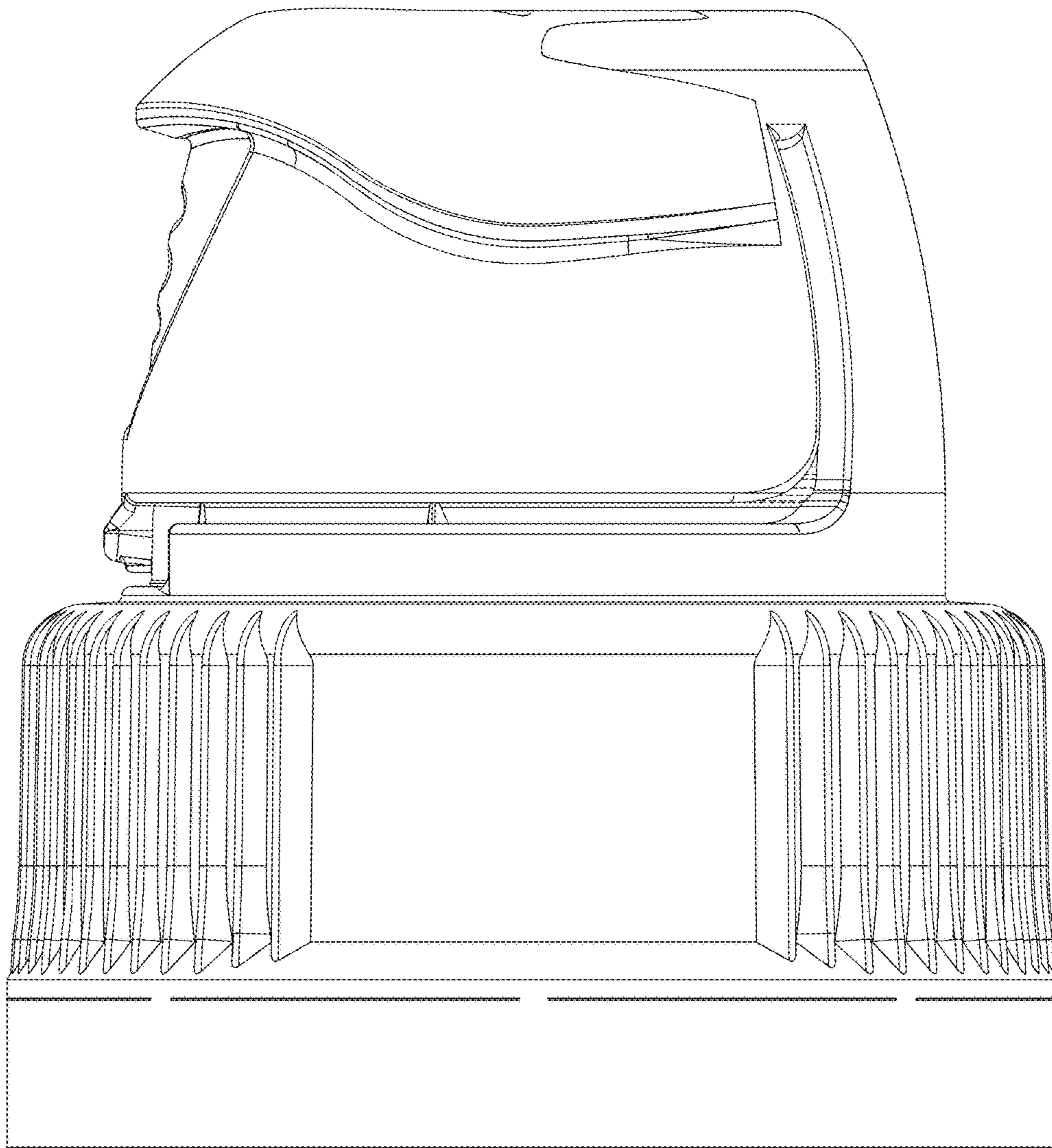


FIG. 5

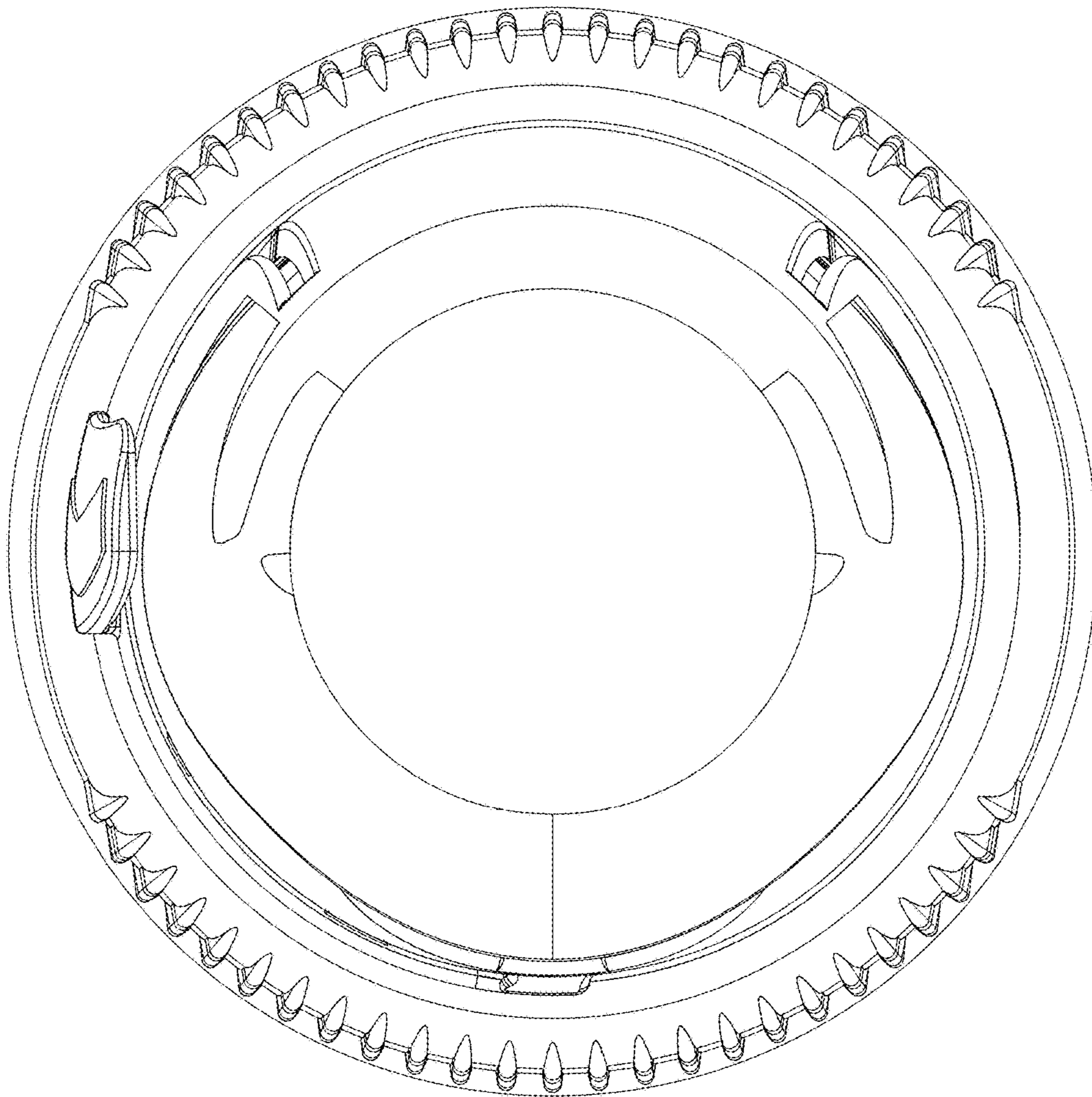


FIG. 6

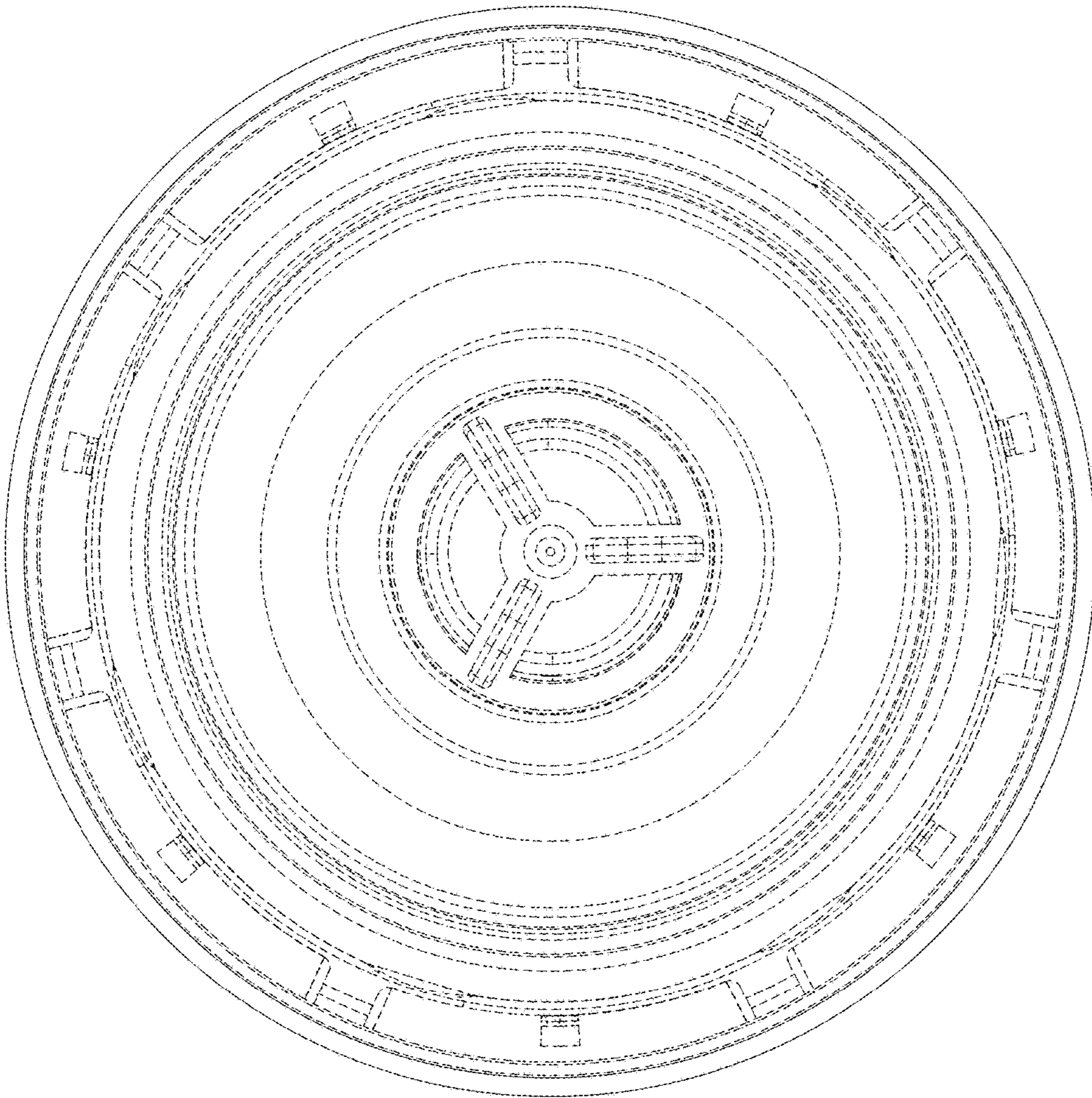


FIG. 7