



US00D833276S

(12) **United States Design Patent** (10) **Patent No.:** **US D833,276 S**
Bloc et al. (45) **Date of Patent:** **** Nov. 13, 2018**

(54) **NOZZLE**

(71) Applicant: **ALBEA SERVICES**, Gennevilliers (FR)

(72) Inventors: **Richard Bloc**, Derchigny (FR); **Marcus Tepas**, Callantsoog (FR)

(73) Assignee: **ALBEA SERVICES**, Gennevilliers (FR)

(**) Term: **15 Years**

(21) Appl. No.: **29/555,448**

(22) Filed: **Feb. 22, 2016**

(30) **Foreign Application Priority Data**

Aug. 20, 2015 (EM) 002758144-0002

(51) **LOC (11) Cl.** **09-07**

(52) **U.S. Cl.**
USPC **D9/448**

(58) **Field of Classification Search**

USPC D9/415, 434, 435, 440, 446-450, 452, D9/453, 454, 455-457, 499; D7/387, D7/388, 396.2, 396.4, 396.6, 398, 403, D7/509, 510, 511; D3/202, 203.2, 247, D3/294, 304, 318; D28/91.1; D8/343, D8/346, 352, 382, 397, 399
CPC .. A61J 1/00; A61J 1/1412; B65D 1/00; B65D 1/02; B65D 1/10; B65D 1/46; B65D 2585/56; B65D 41/00; B65D 41/56; B65D 41/62; B65D 47/06; B65D 47/08; B65D 2543/00046; B65D 2543/00092; B65D 2543/00296

See application file for complete search history.

(56) **References Cited**

U.S. PATENT DOCUMENTS

D339,527 S * 9/1993 Tobler D9/447
D398,232 S 9/1998 Bakic

D404,295 S * 1/1999 Bertolini D9/691
D436,863 S * 1/2001 Wadsworth D9/448
D441,654 S * 5/2001 Sayers D9/448
D455,960 S 4/2002 Dobbs et al.
D457,429 S * 5/2002 Walters D9/448
D489,613 S 5/2004 Campbell et al.
D489,615 S * 5/2004 Bakic D9/448
D489,616 S 5/2004 Bakic
D511,095 S * 11/2005 Auer D9/435
D523,748 S * 6/2006 Witkowski D9/448
D524,166 S * 7/2006 Walther D9/682

(Continued)

Primary Examiner — Karen S Acker

Assistant Examiner — Wendy L Arminio

(74) *Attorney, Agent, or Firm* — Avery N. Goldstein;
Blue Filament Law, PLLC

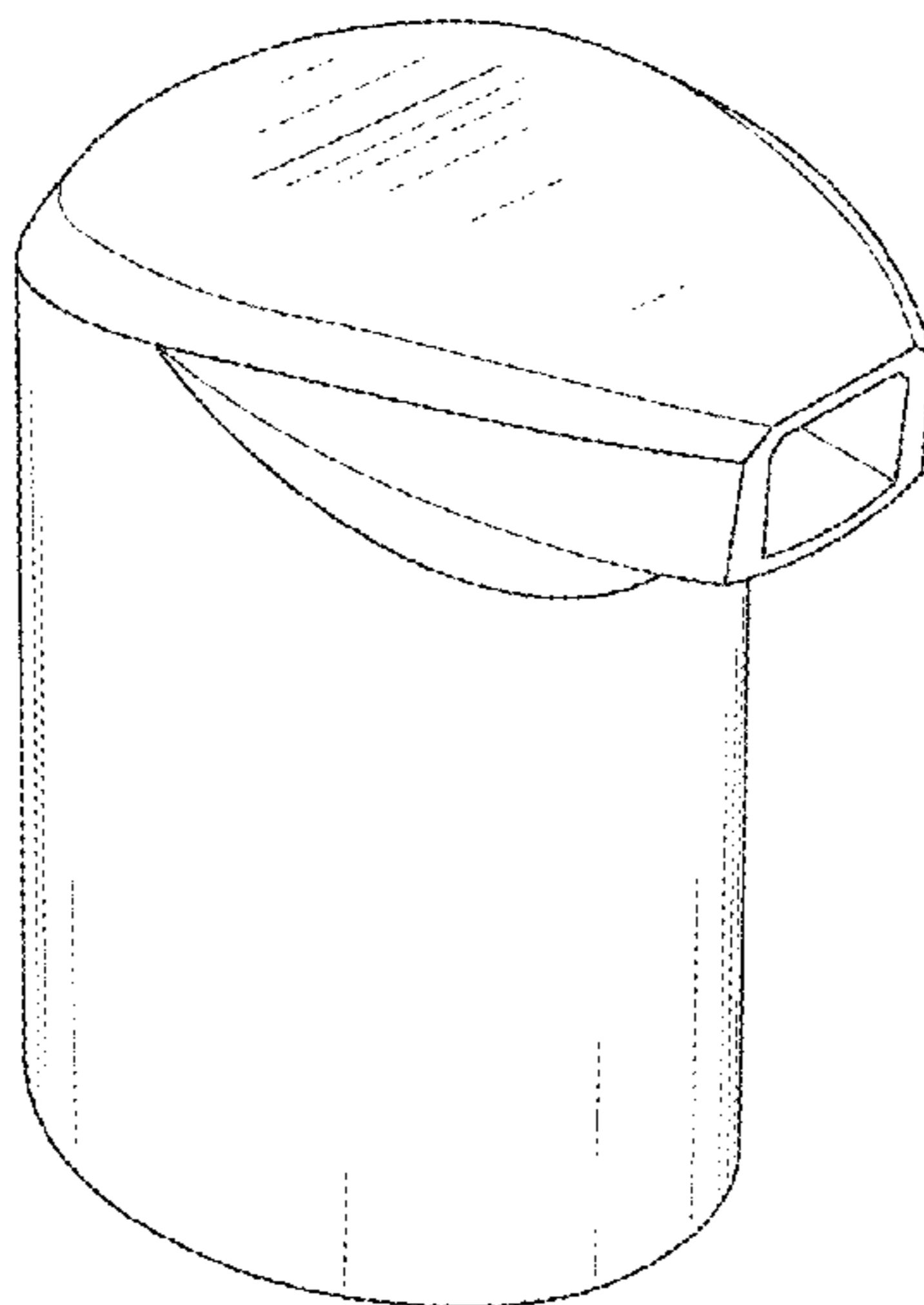
(57) **CLAIM**

The ornamental design for a nozzle, as shown and described.

DESCRIPTION

FIG. 1 is a top view of a nozzle;
FIG. 2 is a bottom view of the nozzle depicted in FIG. 1;
FIG. 3 is a front view of the nozzle depicted in FIG. 1;
FIG. 4 is a first perspective view of the nozzle depicted in FIG. 1;
FIG. 5 is a second perspective view of the nozzle depicted in FIG. 1;
FIG. 6 is a rear view of the nozzle depicted in FIG. 1; and,
FIG. 7 is a right side view of the nozzle depicted in FIG. 1, where the left side view is a mirror image of FIG. 7.
The oval shaped broken line adjacent to the outer perimeter in FIG. 2 depicts the boundary between the claimed and the unclaimed portions of the nozzle and forms no part of the claimed design. All other broken lines depict portions of the nozzle that form no part of the claimed design.

1 Claim, 6 Drawing Sheets



(56)

References Cited

U.S. PATENT DOCUMENTS

| | | | | | | |
|--------------|----|---|---------|-----------------|-------|-------------------------|
| D528,418 | S | * | 9/2006 | Kuo | | D9/448 |
| D529,384 | S | * | 10/2006 | van der Heijden | | D6/542 |
| D532,302 | S | | 11/2006 | Moretti | | |
| D532,692 | S | * | 11/2006 | Cornet | | D9/448 |
| D535,188 | S | | 1/2007 | Lee | | |
| D539,143 | S | * | 3/2007 | Arminak | | D9/448 |
| D541,653 | S | * | 5/2007 | Pietrowski | | D9/448 |
| D541,654 | S | * | 5/2007 | Pietrowski | | D9/448 |
| D543,106 | S | | 5/2007 | Foster et al. | | |
| D545,190 | S | * | 6/2007 | Wu | | D9/448 |
| D547,654 | S | * | 7/2007 | Cornet | | D9/448 |
| D551,076 | S | | 9/2007 | Bloc | | |
| D551,077 | S | | 9/2007 | Bloc | | |
| D552,991 | S | * | 10/2007 | Lai | | D9/448 |
| D588,005 | S | * | 3/2009 | Boes | | D9/448 |
| D634,197 | S | * | 3/2011 | Guilmeau | | D9/448 |
| D636,261 | S | * | 4/2011 | Michitsuji | | D9/448 |
| D666,909 | S | * | 9/2012 | Bloc | | D9/448 |
| D667,726 | S | * | 9/2012 | Bloc | | D9/448 |
| D684,052 | S | | 6/2013 | Bakic | | |
| D688,561 | S | * | 8/2013 | Bunce | | D9/682 |
| D709,762 | S | * | 7/2014 | Kuo | | D9/448 |
| D754,000 | S | | 4/2016 | Wang | | |
| D754,540 | S | | 4/2016 | Wang | | |
| 2004/0129727 | A1 | * | 7/2004 | Foster | | B05B 11/3084 222/137 |

* cited by examiner

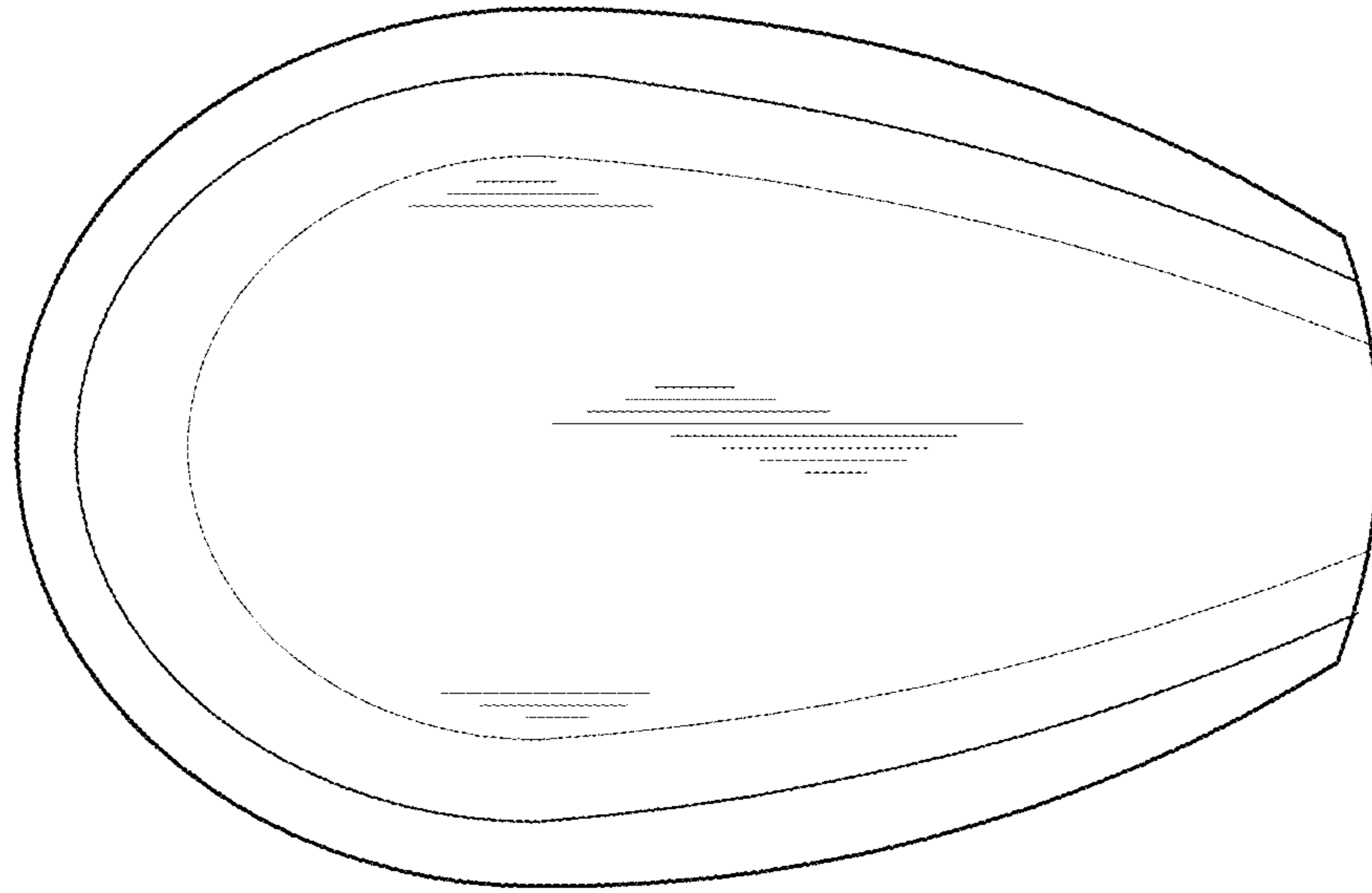


FIG. 1

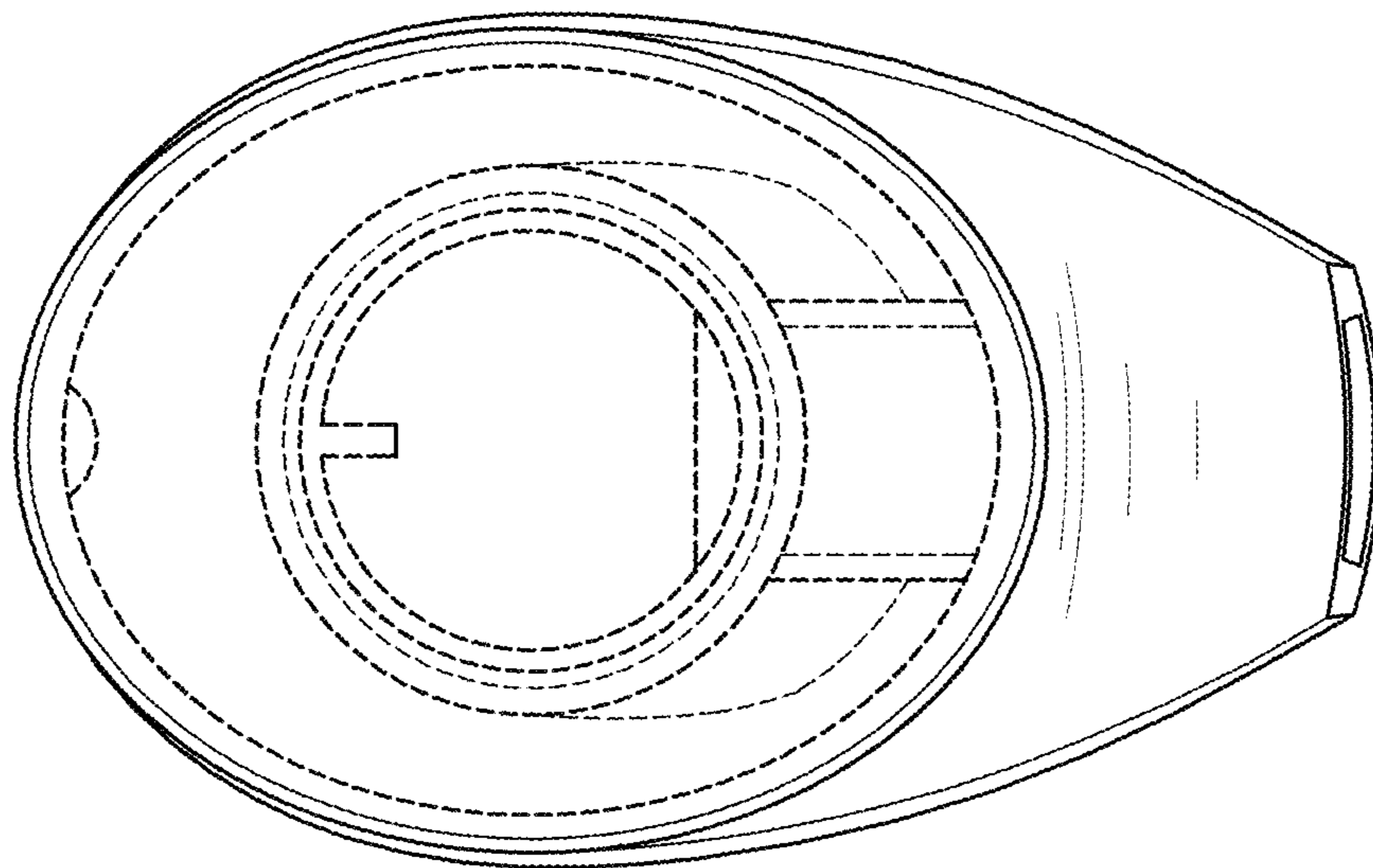


FIG. 2

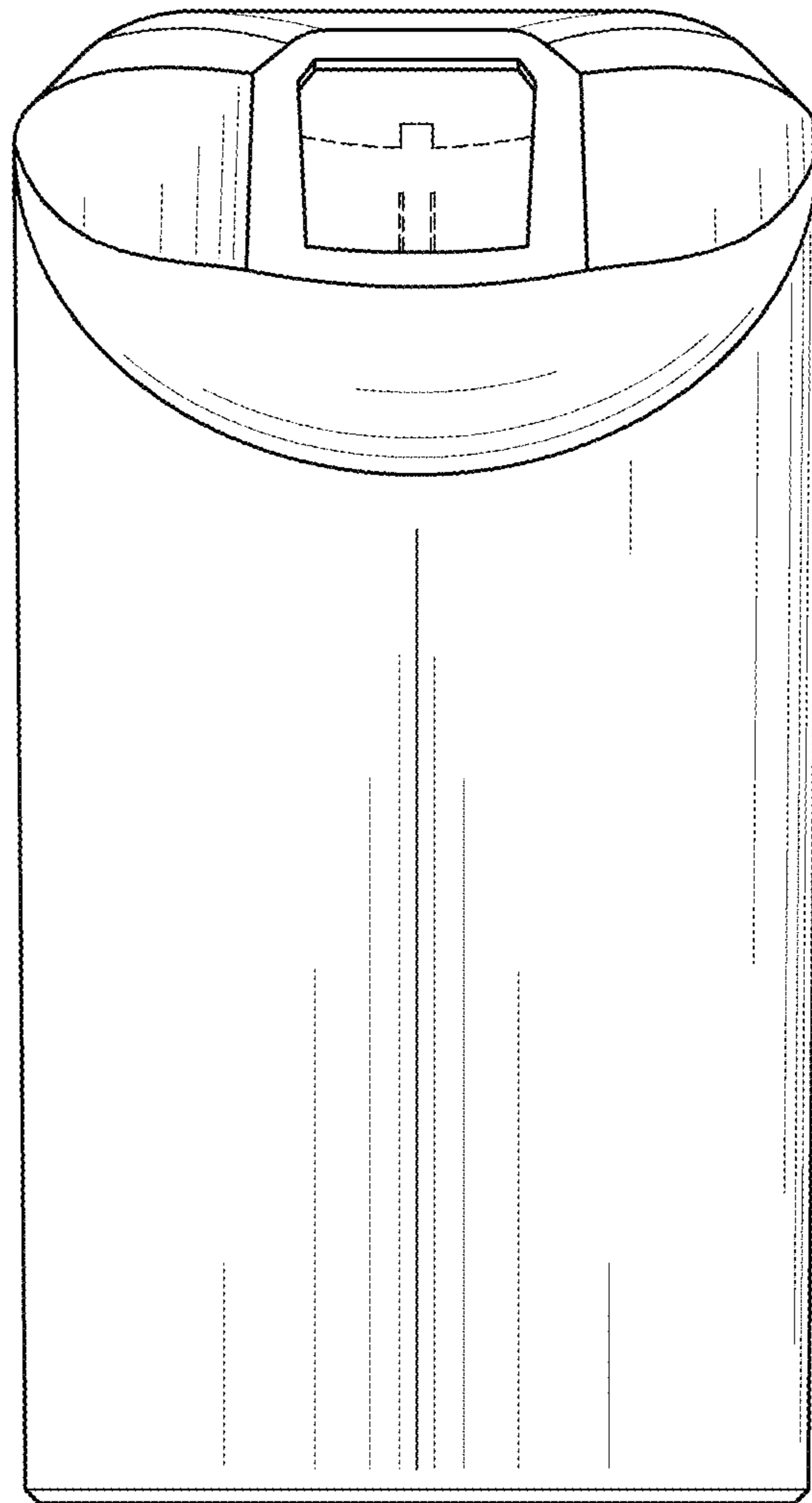


FIG. 3

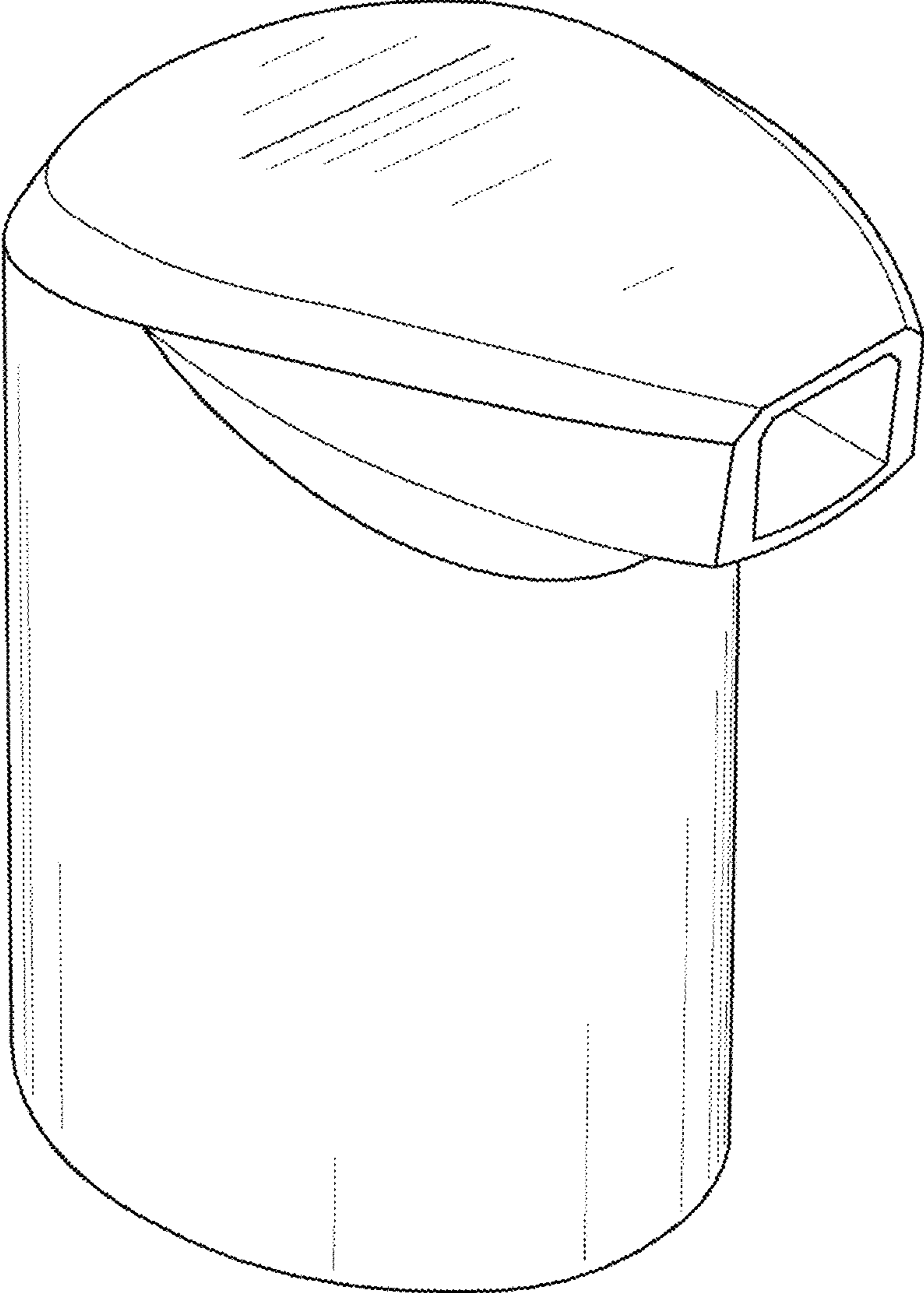


FIG. 4

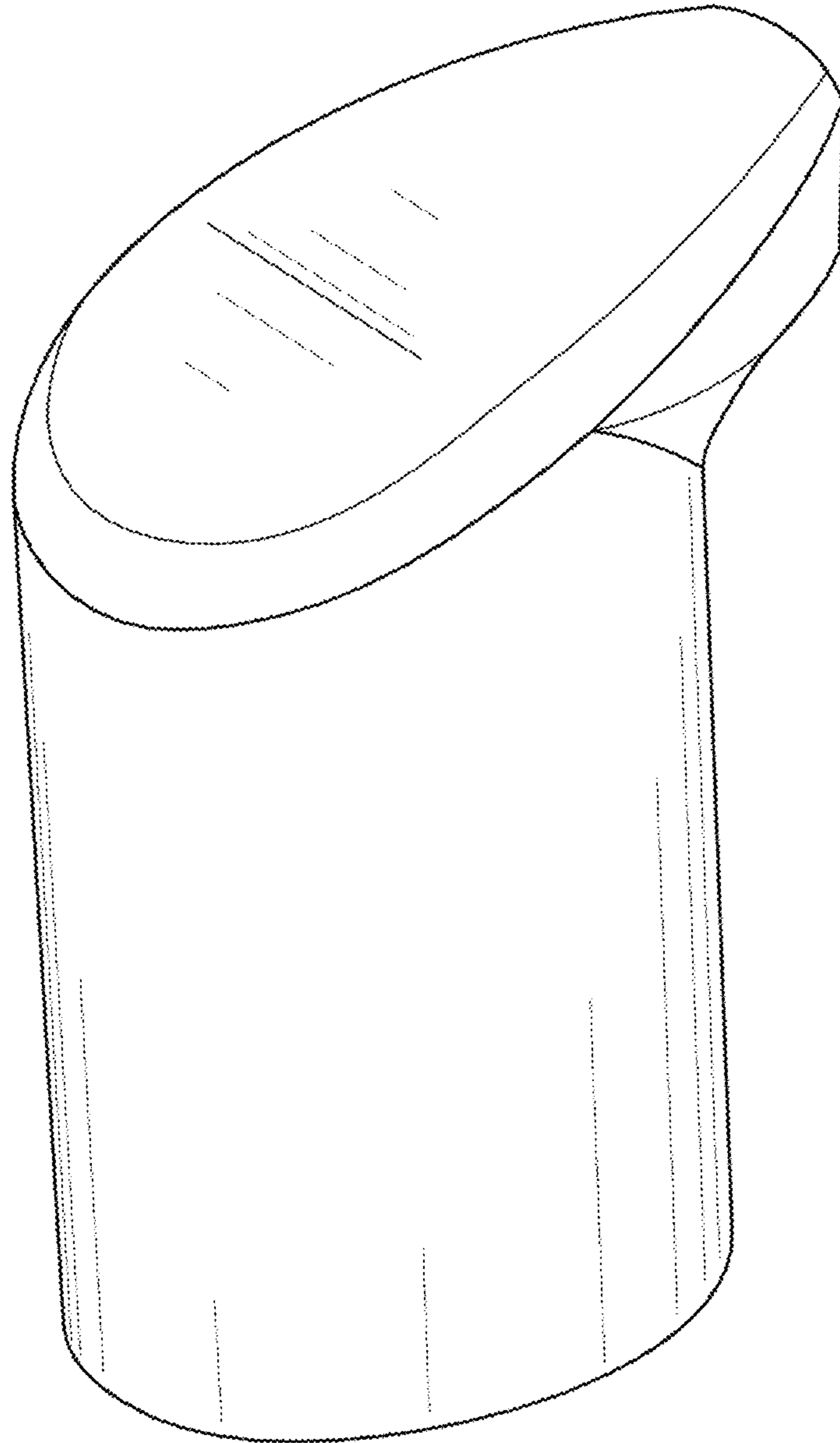


FIG. 5

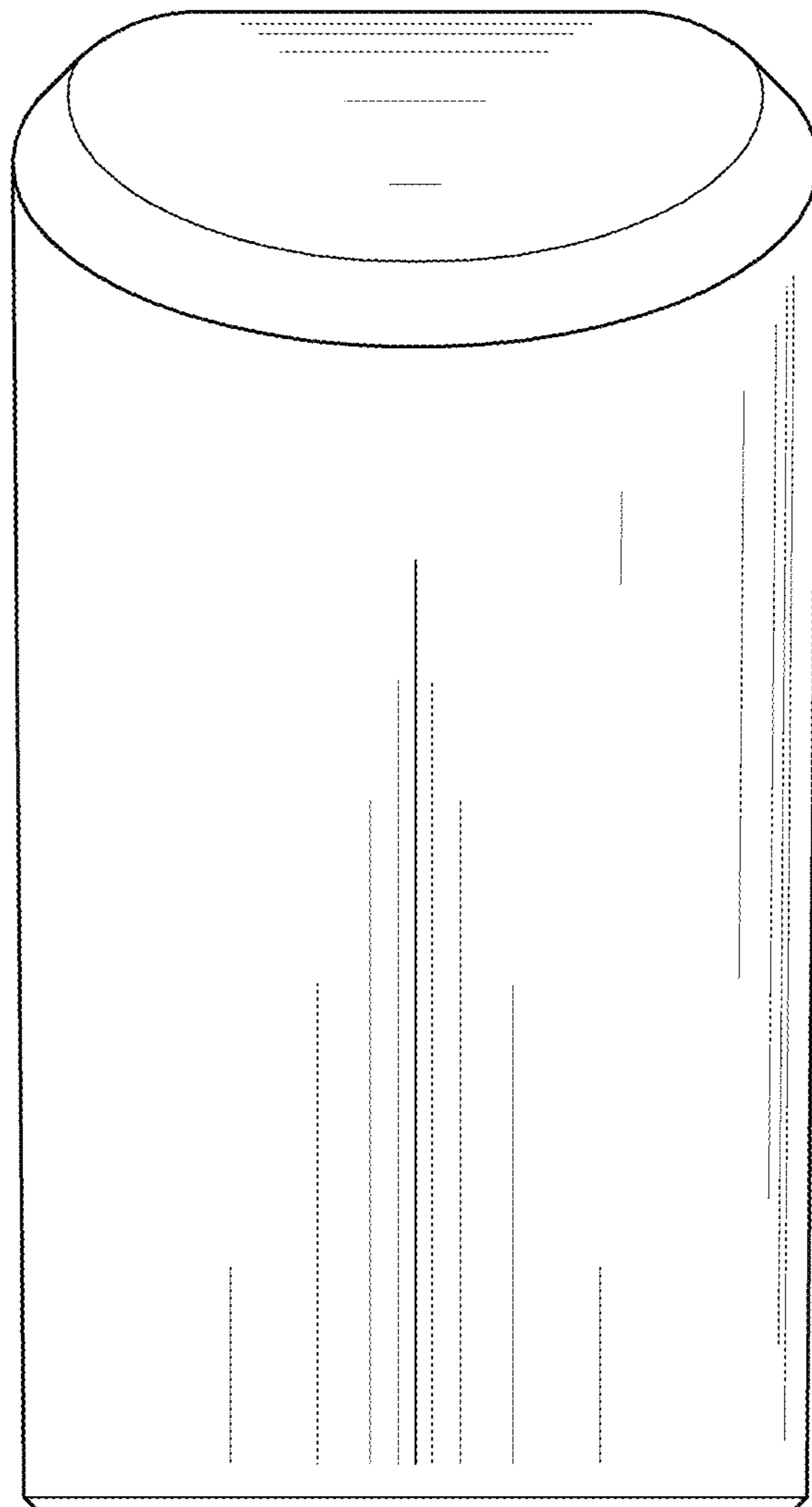


FIG. 6

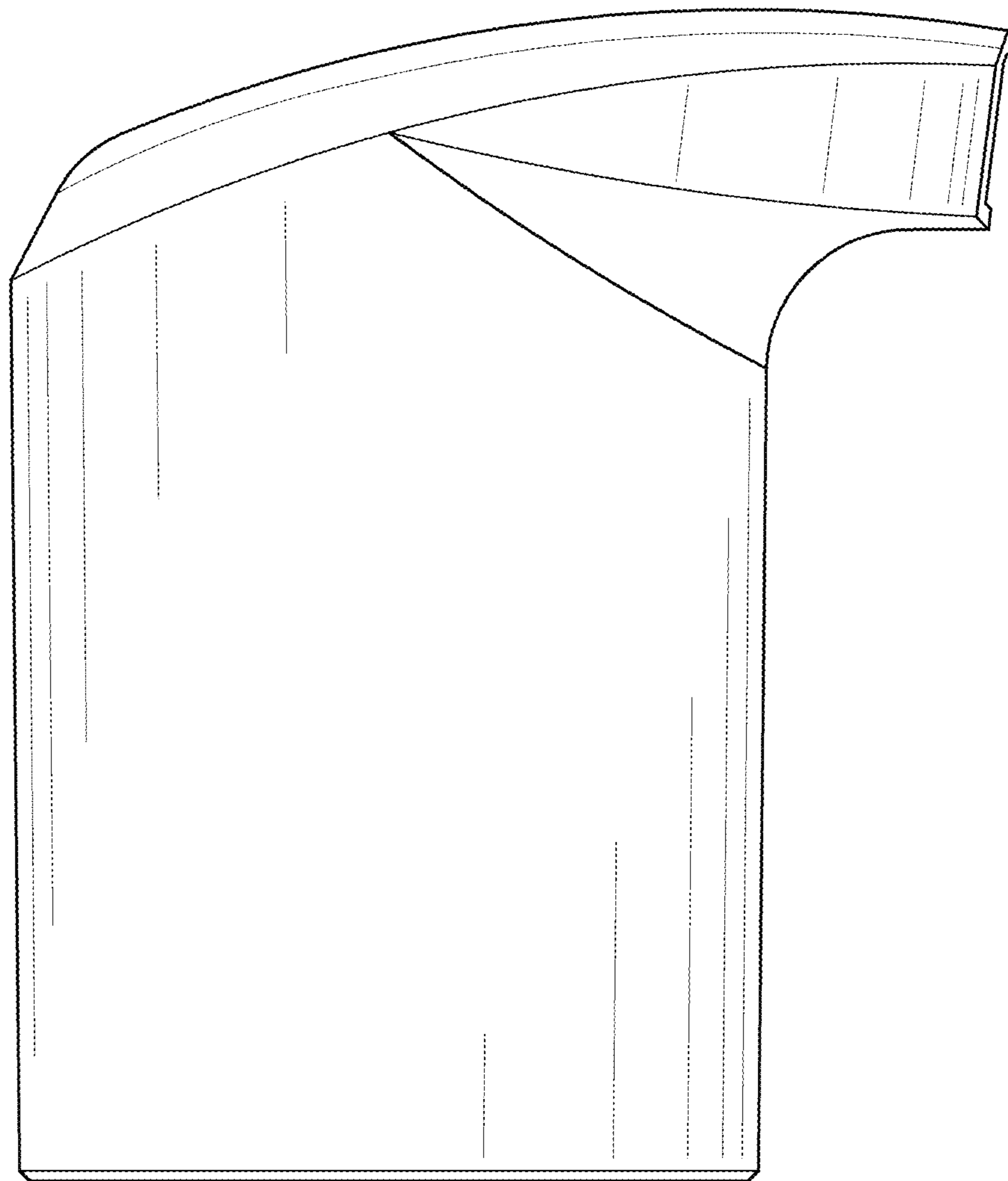


FIG. 7