



US00D833275S

(12) **United States Design Patent**
Kim et al.

(10) **Patent No.:** **US D833,275 S**
(45) **Date of Patent:** **** Nov. 13, 2018**

(54) **PACKING BOX**

D366,415 S * 1/1996 Nagasaka D9/432
D377,144 S * 1/1997 Sawa D9/432
D380,379 S * 7/1997 Lindblom D9/433

(71) Applicant: **SAMSUNG ELECTRONICS CO., LTD.**, Suwon-si, Gyeonggi-do (KR)

(Continued)

(72) Inventors: **Taegyu Kim**, Seoul (KR); **Taeho Kim**, Seoul (KR); **Wonkyoung Seo**, Hanam-si (KR); **Eena Kim**, Seoul (KR)

FOREIGN PATENT DOCUMENTS

CN 201330541157 * 11/2013

(73) Assignee: **SAMSUNG ELECTRONICS CO., LTD.**, Gyeonggi-Do (KR)

OTHER PUBLICATIONS

DHL 14*14*3.5cm Brown Kraft Paper Food Package Box Small Cake Dessert Egg Tart Box With Window Hold 4 Pieces Christmas Supply . Online, published date unknown. Retrieved on Jun. 7, 2018 from URL: <https://www.dhgate.com/product/dh1-14-14-3-5cm-brown-kraft-paper-food-package/411269223.html>.*

(**) Term: **15 Years**

Primary Examiner — Karen S Acker

Assistant Examiner — Omeed Agilee

(21) Appl. No.: **29/609,252**

(74) *Attorney, Agent, or Firm* — Cantor Colburn LLP

(22) Filed: **Jun. 29, 2017**

(30) **Foreign Application Priority Data**

Jan. 4, 2017 (KR) 30-2017-0000534

(51) **LOC (11) Cl.** **09-07**

(52) **U.S. Cl.**
USPC **D9/434**

(57) **CLAIM**

The ornamental design for a packing box, as shown and described.

(58) **Field of Classification Search**
USPC D9/414-434, 442-445, 456, 457, 542, D9/563, 600, 614-624, 661-664, 648, D9/655, 657, 658, 685, 696, 697-699, D9/707, 711, 754, 759, 772-776; D3/273, 276, 304, 309-313; D7/601, D7/602, 709

DESCRIPTION

FIG. 1 is a front perspective view of a packing box showing our new design in a closed configuration;
FIG. 2 is a front view thereof;
FIG. 3 is a rear view thereof;
FIG. 4 is a left-side view thereof;
FIG. 5 is a right-side view thereof;
FIG. 6 is a top view thereof;
FIG. 7 is a bottom view thereof; and,
FIG. 8 is top plan view of the packing box, showing our new design in a flat configuration.
In FIGS. 1, 2, and 8, the broken lines surrounding the solid line perimeter depict a feature of the packaging box that forms no part of the claimed design. All the sides except the front side depict portions of the packaging box that form no part of the claimed design.

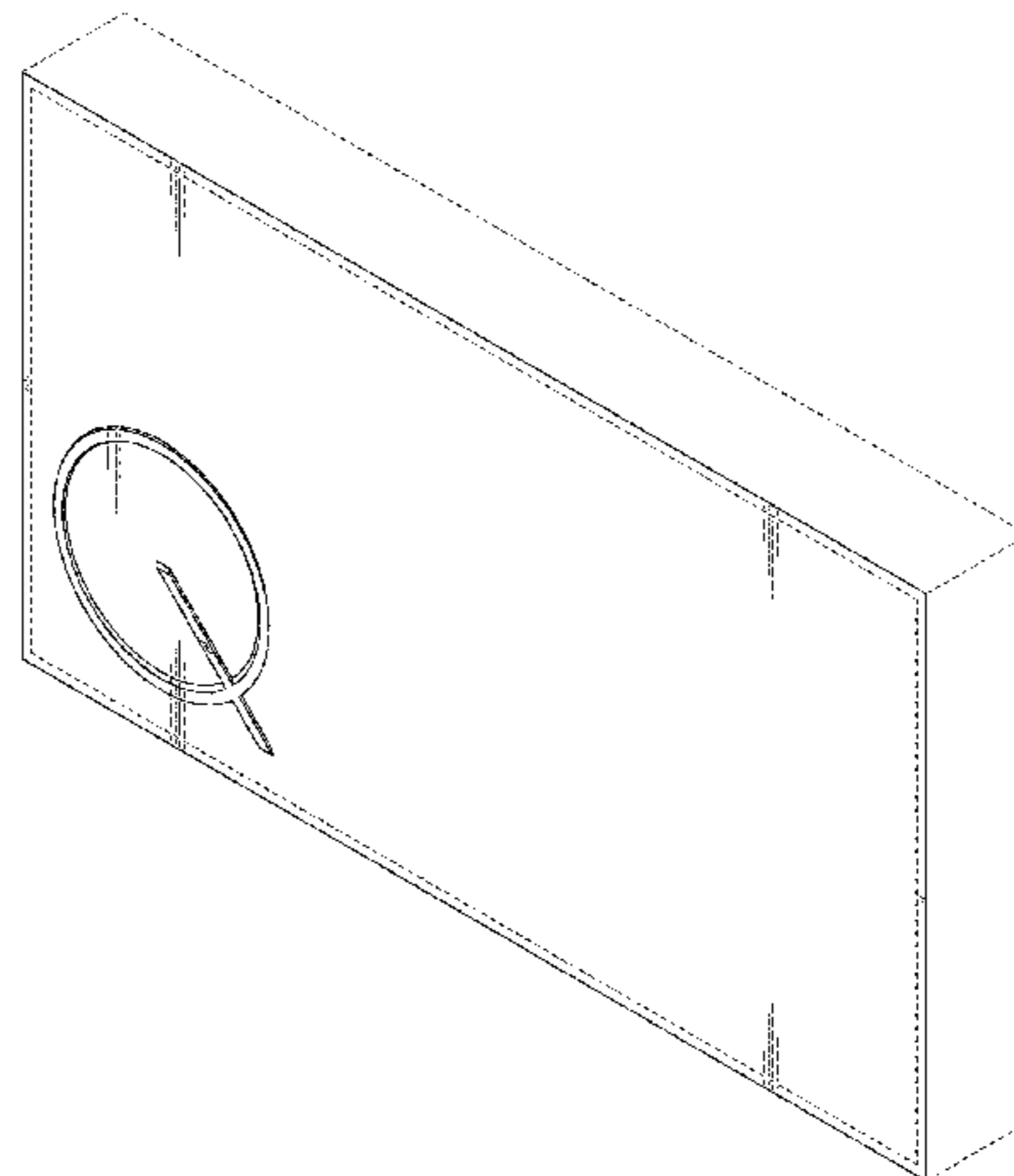
CPC B65D 5/00; B65D 5/001; B65D 5/0015; B65D 5/0227-5/0254; B65D 5/18; B65D 5/38; B65D 5/40; B65D 5/2033; B65D 1/22; B65D 1/24; B65D 1/34; B65B 5/06
See application file for complete search history.

(56) **References Cited**

U.S. PATENT DOCUMENTS

D79,888 S * 11/1929 MacMillan D9/432
D291,534 S * 8/1987 Hamilton D9/418
D344,021 S * 2/1994 Martin D9/415
D353,091 S * 12/1994 Mumford D9/433

1 Claim, 5 Drawing Sheets



(56)

References Cited

U.S. PATENT DOCUMENTS

| | | | |
|--------------|---------|----------------|--------|
| D391,481 S * | 3/1998 | Oxley | D9/432 |
| D408,731 S * | 4/1999 | Taylor | D9/418 |
| D424,434 S * | 5/2000 | Hoffman | D9/432 |
| D427,524 S * | 7/2000 | Weisz | D9/432 |
| D434,651 S * | 12/2000 | Guzman | D9/422 |
| D446,114 S * | 8/2001 | Stephens | D9/418 |
| D454,062 S * | 3/2002 | Garrant | D9/415 |
| D455,073 S * | 4/2002 | Mizrahi | D9/418 |
| D604,602 S * | 11/2009 | Kohno | D9/418 |
| D604,603 S * | 11/2009 | Kohno | D9/418 |
| D718,125 S * | 11/2014 | Chiang | D9/432 |
| D784,455 S * | 4/2017 | Sims | D20/22 |

* cited by examiner

FIG. 1

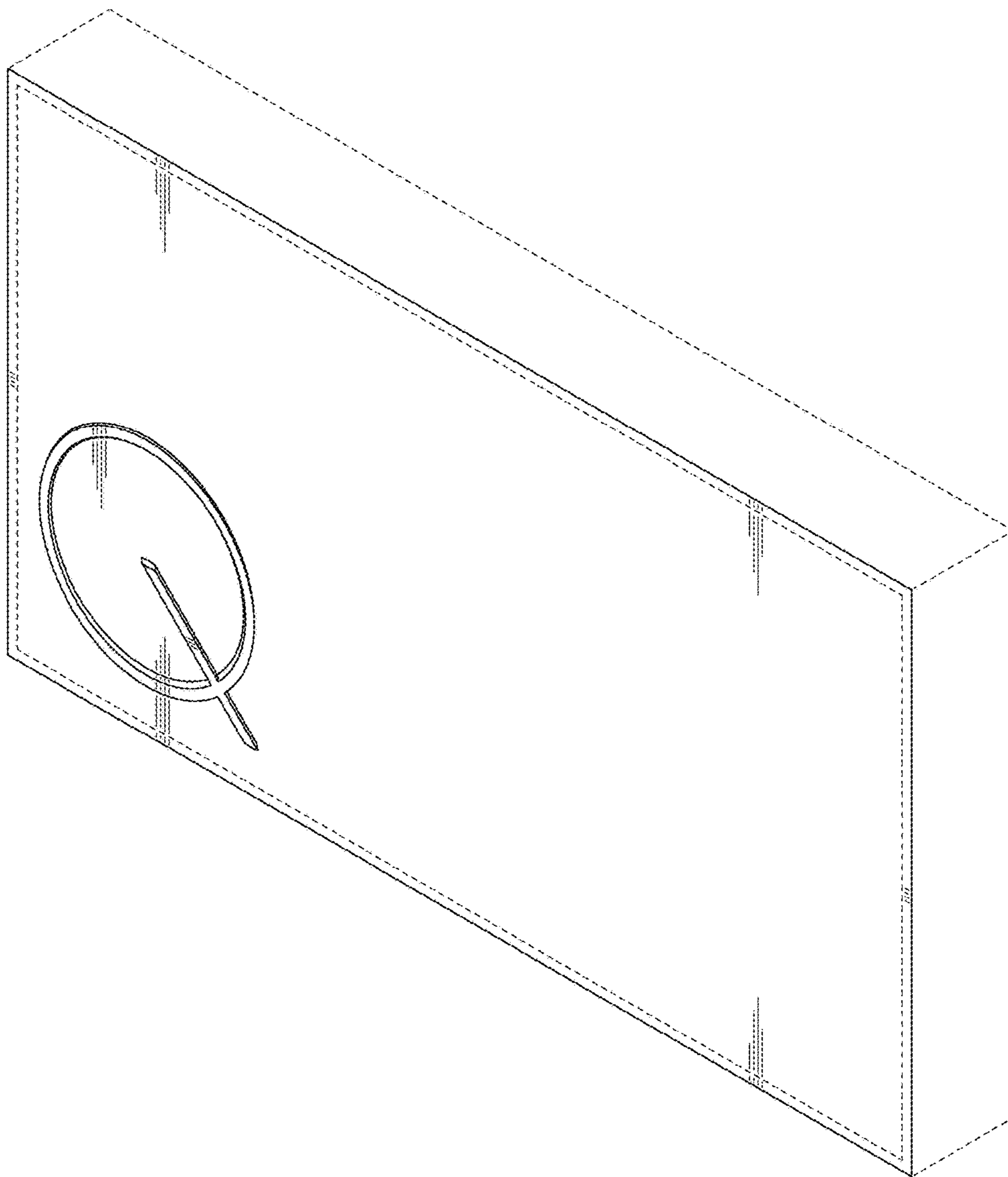


FIG. 2

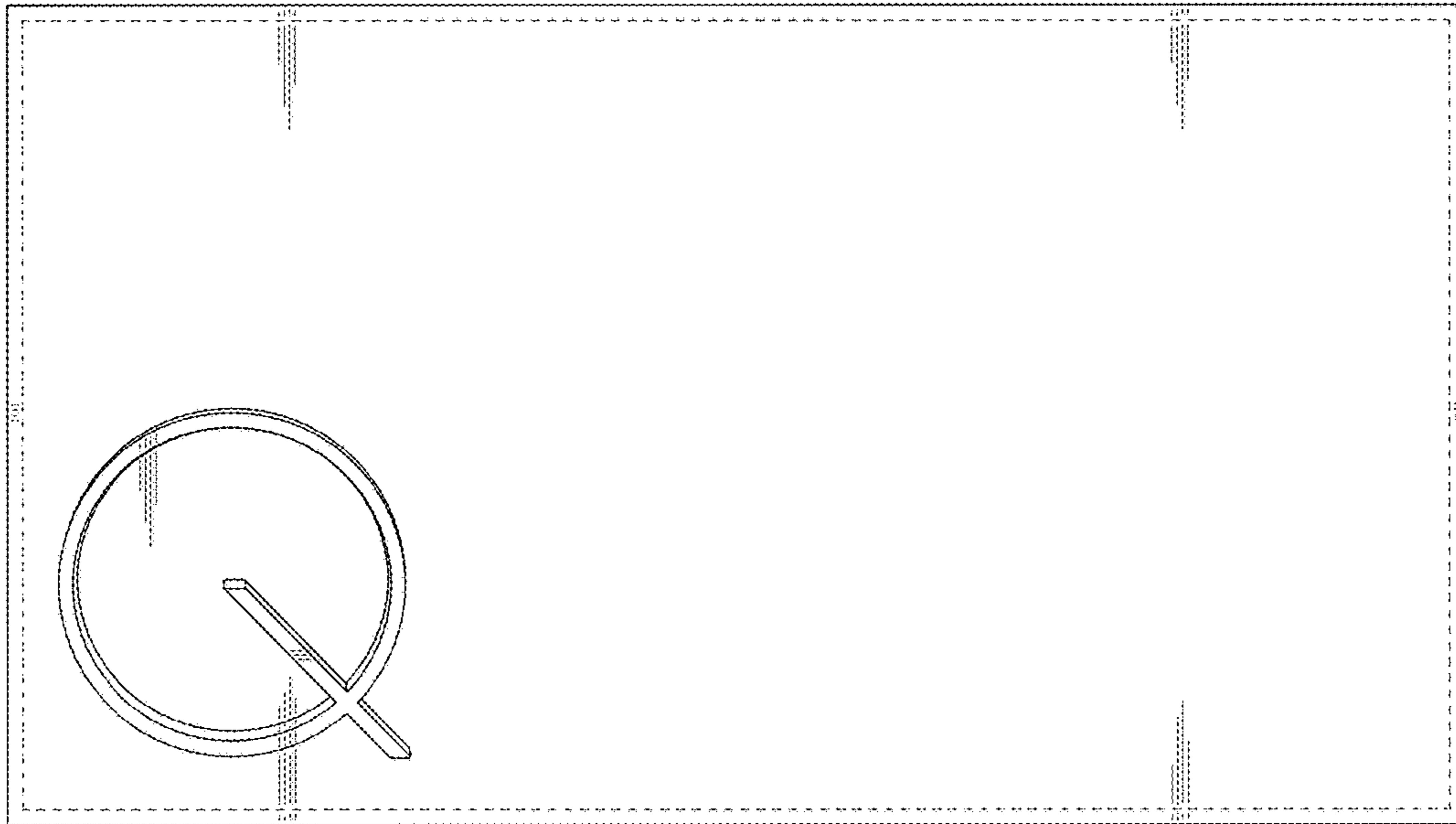


FIG. 3

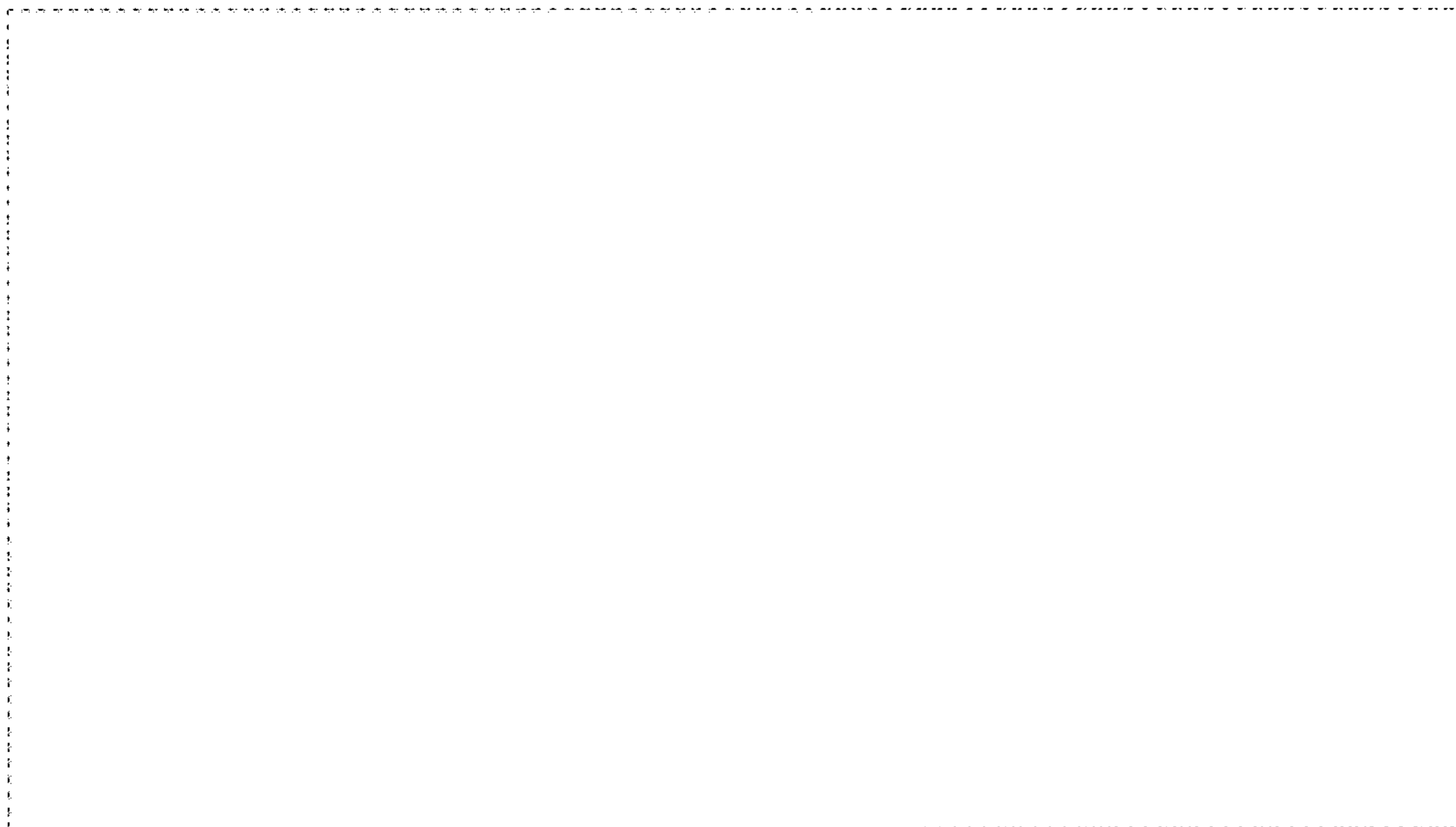


FIG. 4

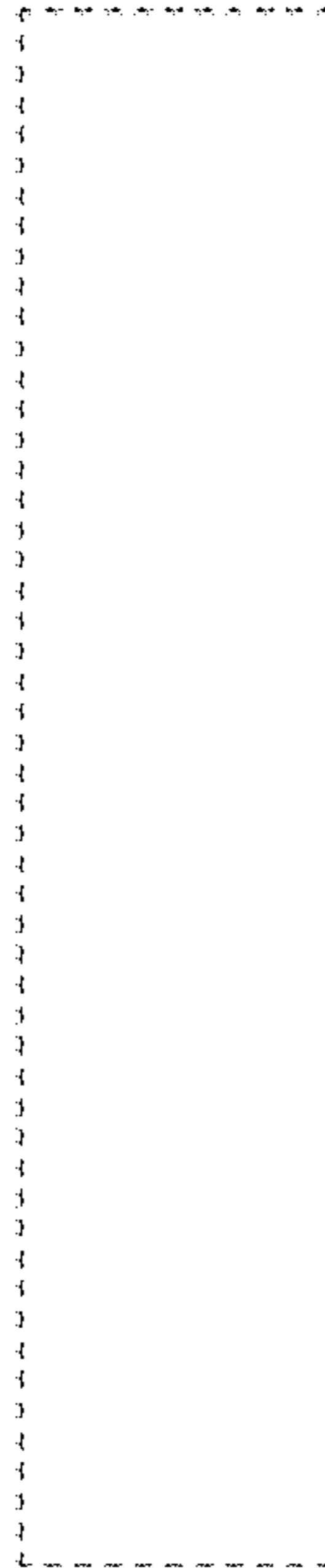


FIG. 5

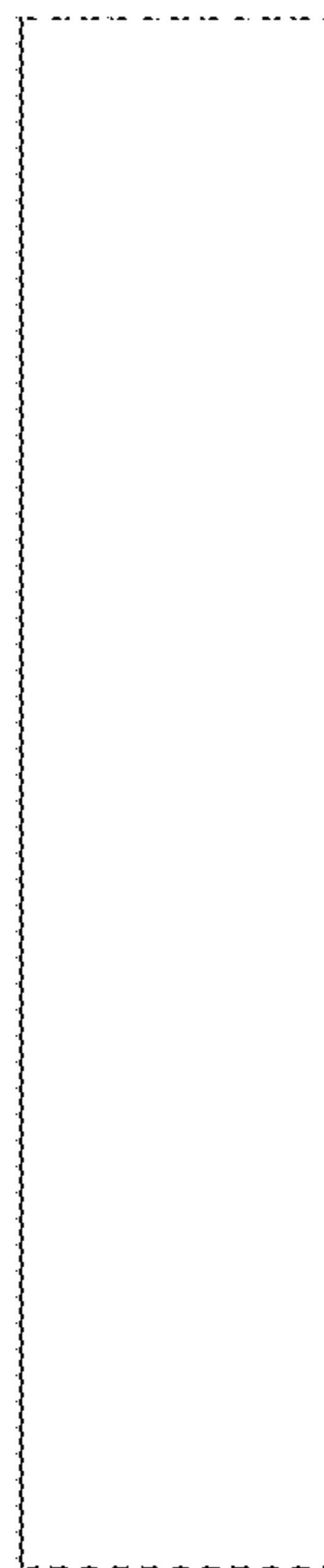


FIG. 6

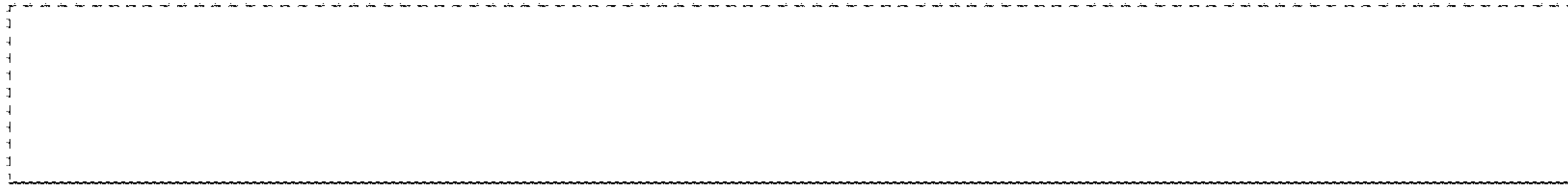


FIG. 7

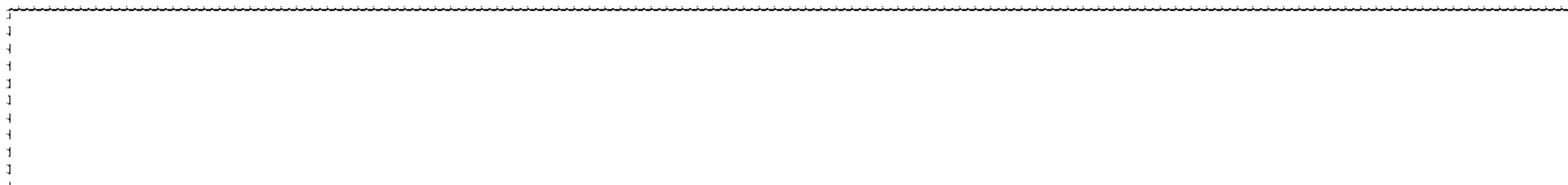


FIG. 8

