



US00D833274S

(12) **United States Design Patent** (10) **Patent No.:** **US D833,274 S**
Kim et al. (45) **Date of Patent:** **** Nov. 13, 2018**

(54) **PACKING BOX**

D366,415 S * 1/1996 Nagasaka D9/432
D377,144 S * 1/1997 Sawa D9/432
D380,379 S * 7/1997 Lindblom D9/433

(71) Applicant: **SAMSUNG ELECTRONICS CO., LTD.**, Suwon-si, Gyeonggi-do (KR)

(Continued)

(72) Inventors: **Taegy Kim**, Seoul (KR); **Taeho Kim**, Seoul (KR); **Wonkyoung Seo**, Hanam-si (KR); **Eena Kim**, Seoul (KR)

FOREIGN PATENT DOCUMENTS

CN 201330541157 * 11/2013

(73) Assignee: **SAMSUNG ELECTRONICS CO., LTD.**, Gyeonggi-Do (KR)

OTHER PUBLICATIONS

DHL 14*14*3.5cm Brown Kraft Paper Food Package Box Small Cake Dessert Egg Tart Box With Window Hold 4 Pieces Christmas Supply . Online, published date unknown. Retrieved on Jun. 8, 2018 from URL: <https://www.dhgate.com/product/dhl-14-14-3-5cm-brown-kraft-paper-food-package/411269223.html>.*

(**) Term: **15 Years**

Primary Examiner — Karen S Acker
Assistant Examiner — Omeed Agilee
(74) *Attorney, Agent, or Firm* — Cantor Colburn LLP

(21) Appl. No.: **29/609,246**

(22) Filed: **Jun. 29, 2017**

(30) **Foreign Application Priority Data**

Jan. 4, 2017 (KR) 30-2017-0000565

(57) **CLAIM**

(51) **LOC (11) Cl.** **09-07**

The ornamental design for a packing box, as shown and described.

(52) **U.S. Cl.**

USPC **D9/434**

DESCRIPTION

(58) **Field of Classification Search**

USPC D9/414–434, 442–445, 456, 457, 542, D9/563, 600, 614–624, 661–664, 648, D9/655, 657, 658, 685, 696, 697–699, D9/707, 711, 754, 759, 772–776; D3/273, 276, 304, 309–313; D7/601, D7/602, 709

FIG. 1 is a front perspective view of a packing box showing our new design in a closed configuration; FIG. 2 is a front view thereof; FIG. 3 is a rear view thereof; FIG. 4 is a left-side view thereof; FIG. 5 is a right-side view thereof; FIG. 6 is a top view thereof; FIG. 7 is a bottom view thereof; and, FIG. 8 is top plan view of the packing box, showing our new design in a flat configuration.

CPC B65D 5/00; B65D 5/001; B65D 5/0015; B65D 5/0227–5/0254; B65D 5/18; B65D 5/38; B65D 5/40; B65D 5/2033; B65D 1/22; B65D 1/24; B65D 1/34; B65B 5/06
See application file for complete search history.

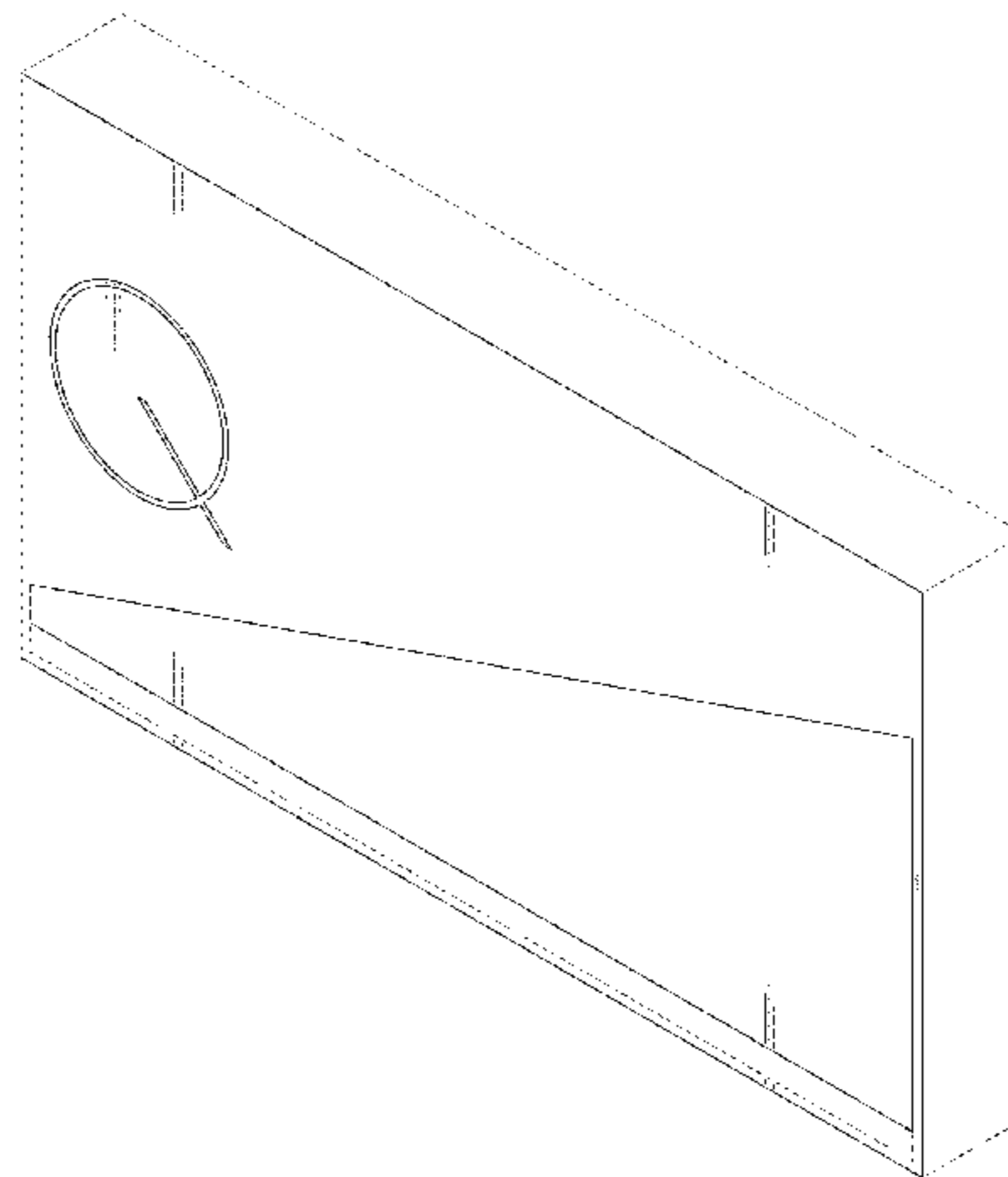
In FIGS. 1, 2, and 8, the shape on the front surface of the article defined by three broken lines and one solid line adjacent to the shaded planes depicts a portion of the packing box that forms no part of the claimed design. All the sides except the front side depict portions of the packing box that form no part of the claimed design.

(56) **References Cited**

U.S. PATENT DOCUMENTS

D291,534 S * 8/1987 Hamilton D9/418
D344,021 S * 2/1994 Martin D9/415
D353,091 S * 12/1994 Mumford D9/433

1 Claim, 5 Drawing Sheets



(56)

References Cited

U.S. PATENT DOCUMENTS

D391,481 S *	3/1998	Oxley	D9/432
D408,731 S *	4/1999	Taylor	D9/418
D424,434 S *	5/2000	Hoffman	D9/432
D427,524 S *	7/2000	Weisz	D9/432
D434,651 S *	12/2000	Guzman	D9/422
D446,114 S *	8/2001	Stephens	D9/418
D454,062 S *	3/2002	Garrant	D9/415
D455,073 S *	4/2002	Mizrahi	D9/418
D604,602 S *	11/2009	Kohno	D9/418
D604,603 S *	11/2009	Kohno	D9/418
D718,125 S *	11/2014	Chiang	D9/432
D784,455 S *	4/2017	Sims	D20/22

* cited by examiner

FIG. 1

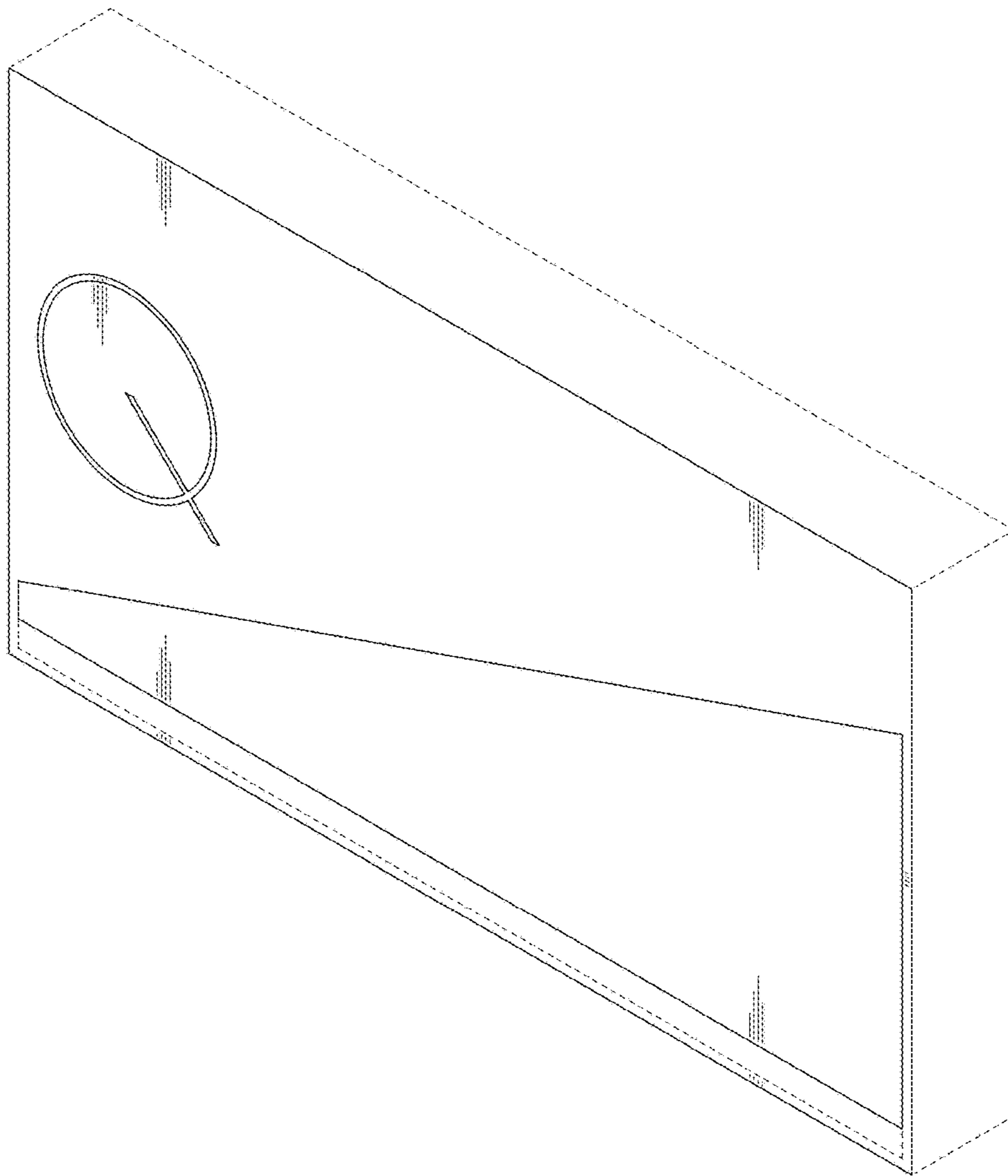


FIG. 2

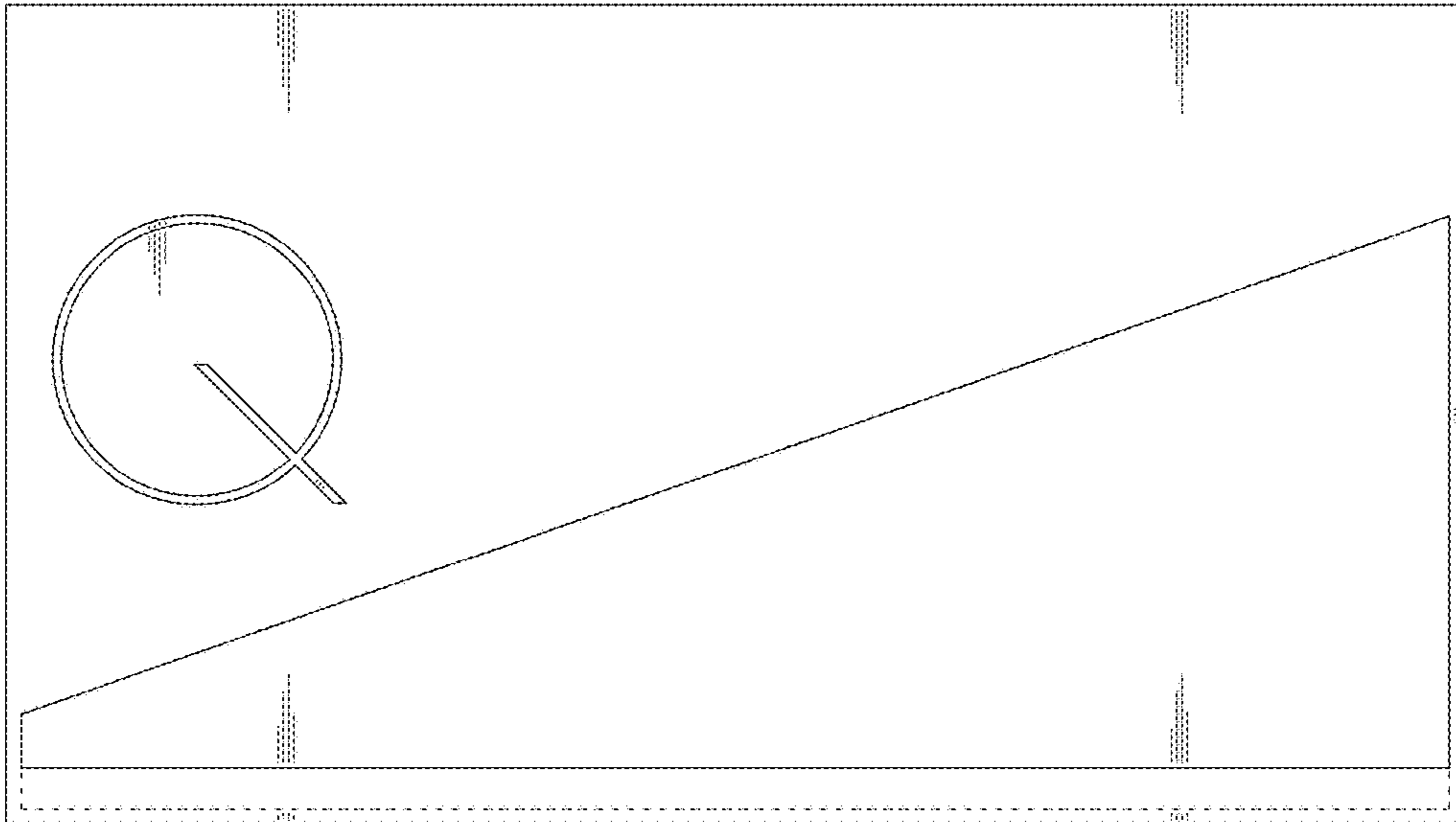


FIG. 3

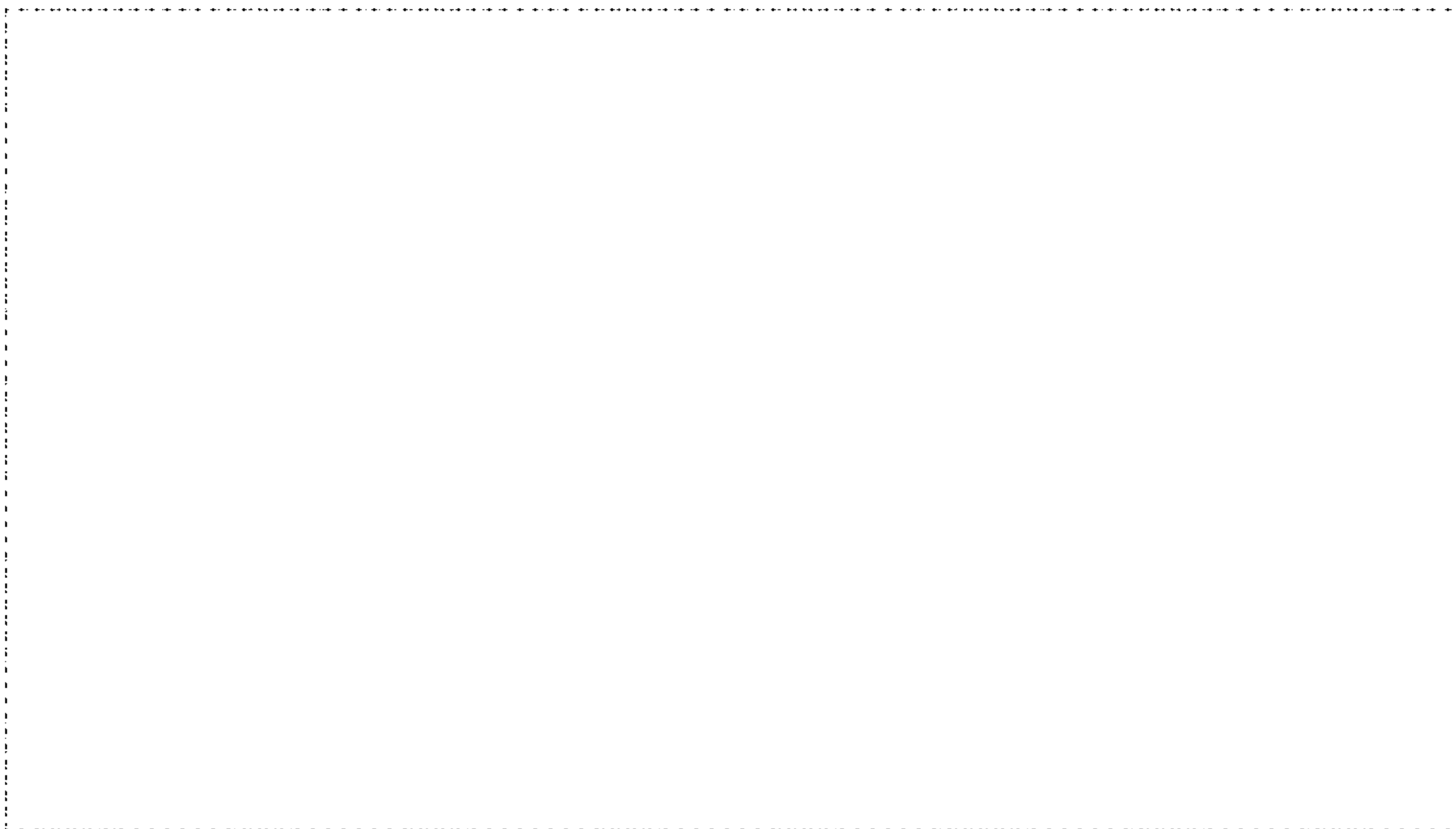


FIG. 4

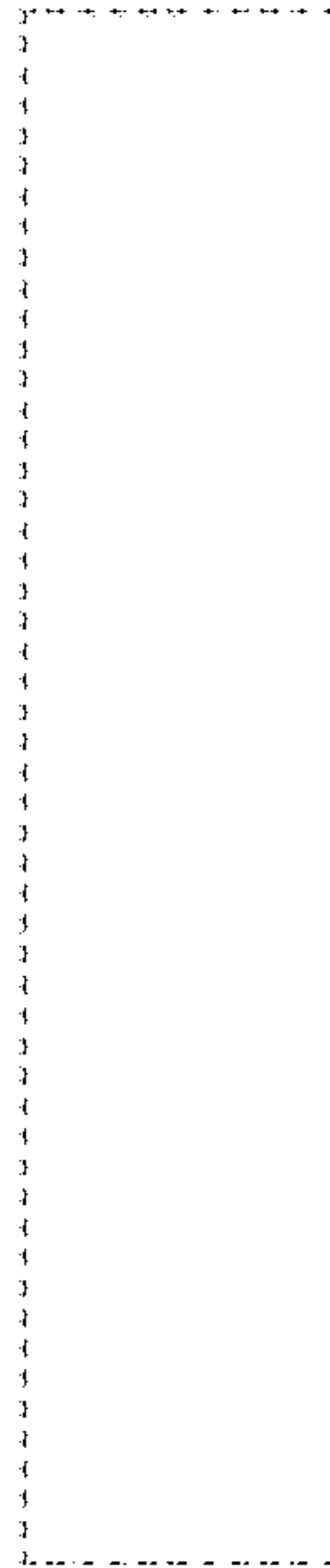


FIG. 5

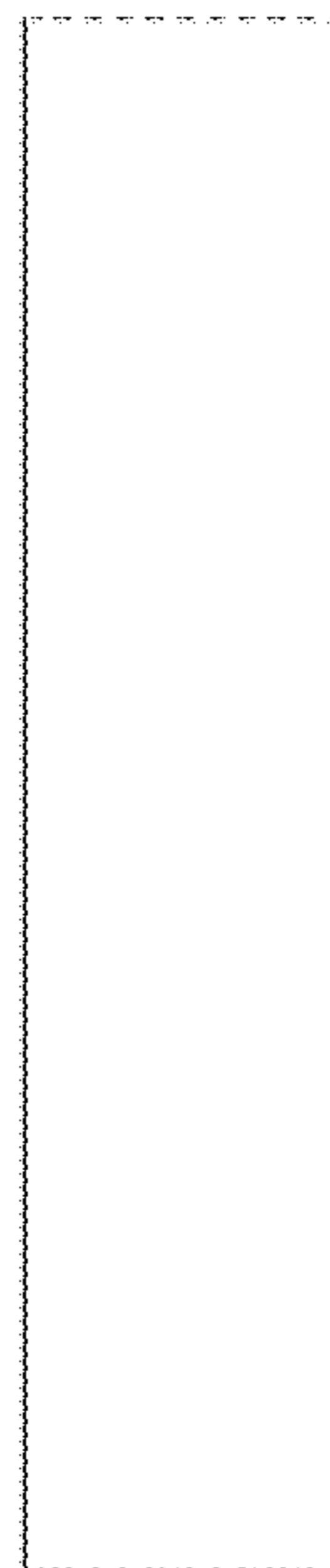


FIG. 6

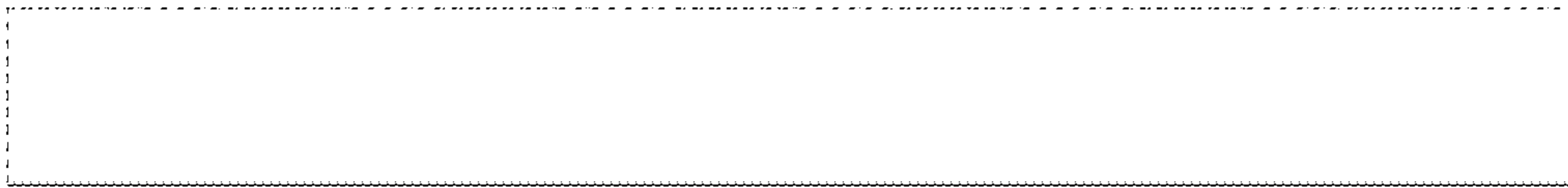


FIG. 7

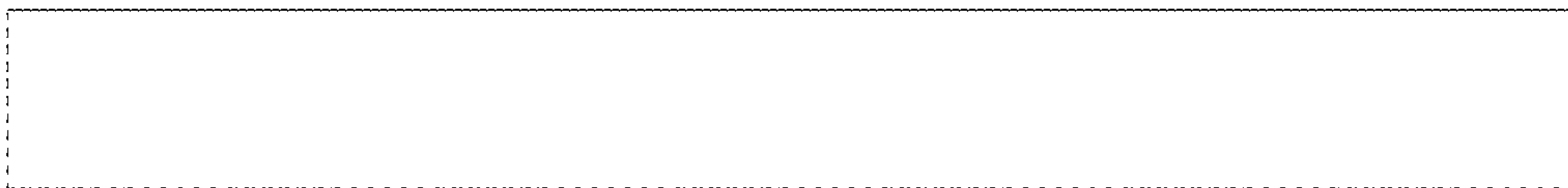


FIG. 8

