



US00D833272S

(12) **United States Design Patent**  
**Udomphol et al.**

(10) **Patent No.:** **US D833,272 S**  
(45) **Date of Patent:** **\*\* Nov. 13, 2018**

(54) **FOOD CONTAINER**

(71) Applicant: **North American Robotics Corporation**, San Francisco, CA (US)

(72) Inventors: **Matthew Udomphol**, San Francisco, CA (US); **Elvine Pineda**, San Francisco, CA (US)

(73) Assignee: **North American Robotics Corporation**, San Francisco, CA (US)

(\*\*) Term: **15 Years**

(21) Appl. No.: **29/555,101**

(22) Filed: **Feb. 18, 2016**

**Related U.S. Application Data**

(63) Continuation of application No. 29/521,542, filed on Mar. 24, 2015, now Pat. No. Des. 752,971.

(51) **LOC (11) Cl.** ..... **09-03**

(52) **U.S. Cl.**  
USPC ..... **D9/429**

(58) **Field of Classification Search**  
USPC ..... D9/414, 418, 424, 425, 427-429, 434, D9/435, 438, 440, 453, 454, 456, D9/500-505, 529-531, 538; D7/601, D7/602, 619, 619.1, 629, 378, 397, 399, D7/400, 412-415, 584; 229/400-406, 229/932, 906.1; 220/656-659, 669-675,  
(Continued)

(56) **References Cited**

**U.S. PATENT DOCUMENTS**

D4,759 S \* 4/1871 Kirchner ..... 215/382  
D52,692 S \* 11/1918 Beiswanger ..... D7/565  
(Continued)

**OTHER PUBLICATIONS**

“Meet The Self-Cleaning Keurig For Smoothies” (via the spoon), available Aug. 17, 2016, [online], [site visited Aug. 14, 2017]. Available from internet, <URL: http://thespoon.tech/meet-the-self-cleaning-keurig-for-smoothies/>.\*

(Continued)

*Primary Examiner* — Cathron C Brooks

*Assistant Examiner* — W. A. Teddy Falloway

(74) *Attorney, Agent, or Firm* — Shabbi S. Khan; Foley & Lardner LLP

(57) **CLAIM**

We claim the ornamental design for a food container, as shown and described.

**DESCRIPTION**

FIG. 1 is a top isometric view of a first embodiment of the food container.

FIG. 2 is a bottom isometric view of the first embodiment of the food container.

FIG. 3 is a plan view from the top of the first embodiment of the food container.

FIG. 4 is an elevation view from the side of the first embodiment of the food container.

FIG. 5 is a plan view from the bottom of the first embodiment of the food container.

FIG. 6 is a top isometric view of a second embodiment of the food container.

FIG. 7 is a bottom isometric view of the second embodiment of the food container.

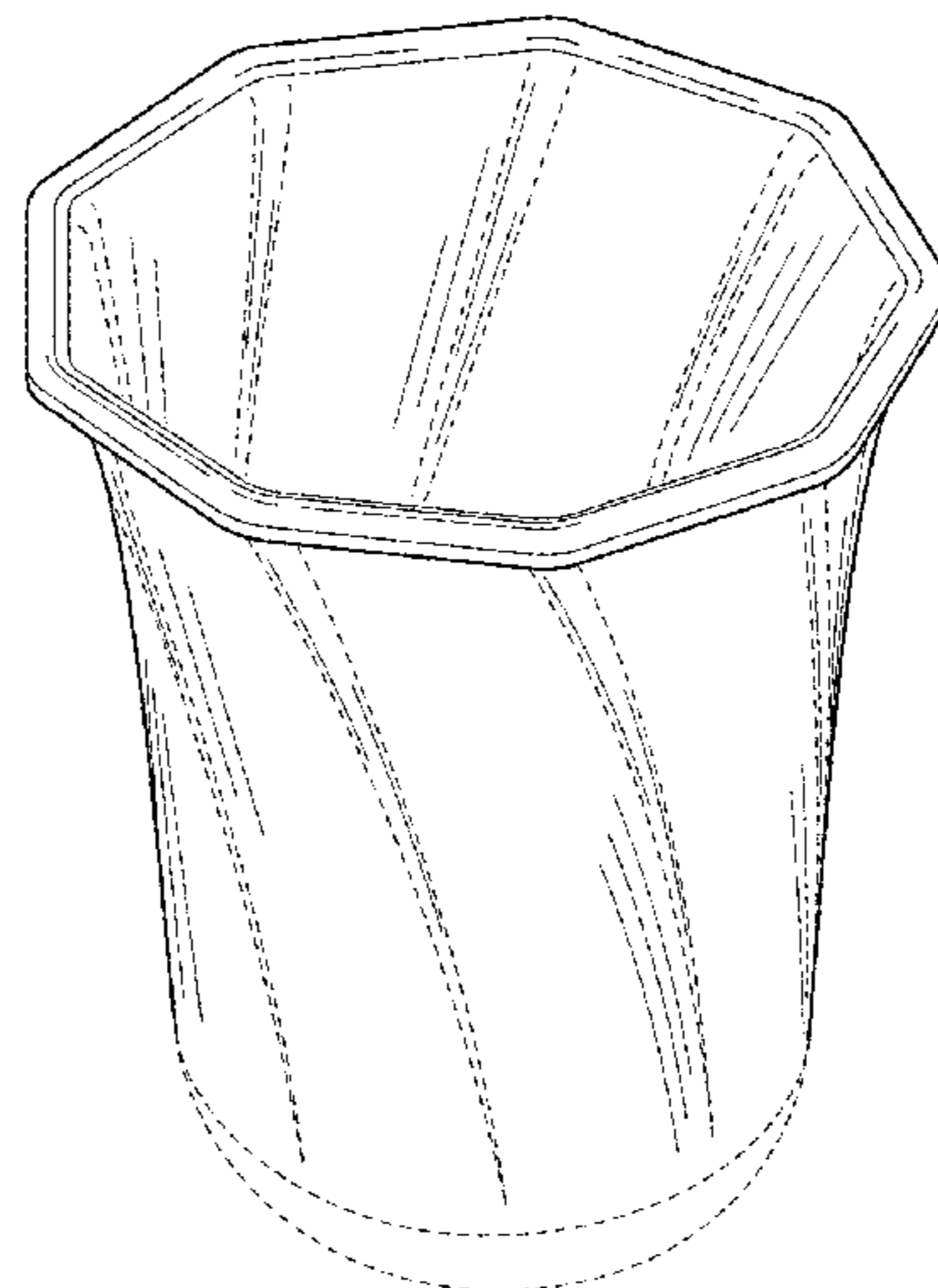
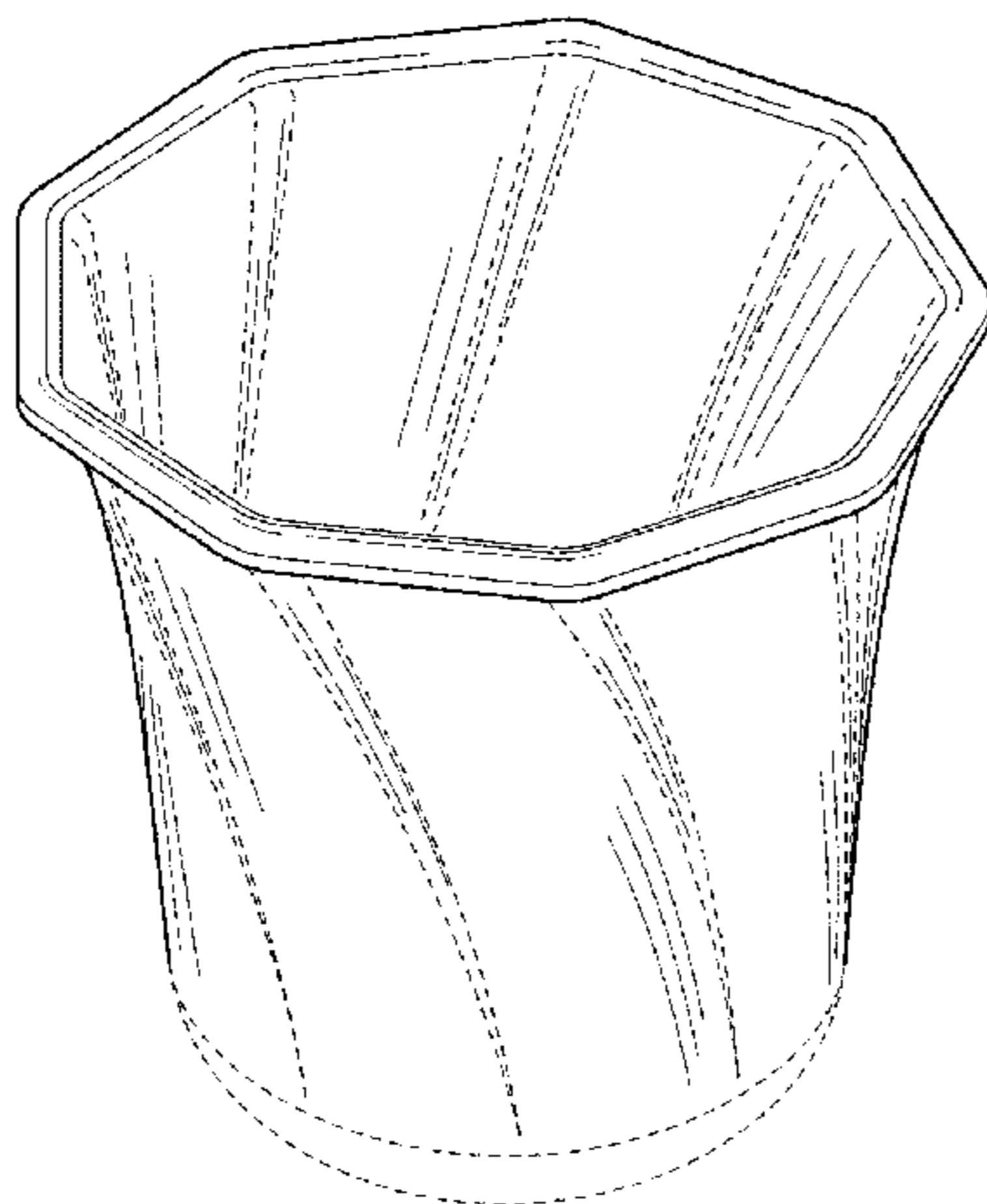
FIG. 8 is a plan view from the top of the second embodiment of the food container.

FIG. 9 is an elevation view from the side of the second embodiment of the food container; and,

FIG. 10 is a plan view from the bottom of the second embodiment of the food container.

The broken lines illustrate portions of the food container and form no part of the claimed design.

**1 Claim, 4 Drawing Sheets**



- (58) **Field of Classification Search**  
 USPC ..... 220/912, 4.21-4.27; 206/553, 557, 541,  
 206/775, 776; D11/152, 153; D3/202  
 CPC ..... B65D 2543/00092; B65D 2543/00296;  
 B65D 2543/00351; B65D 2543/00731;  
 B65D 2543/00796; B65D 47/0847; B65D  
 85/8043; B65D 85/8046; B65D 85/60;  
 A47J 31/407; A47J 31/3676; A47J  
 31/3623; A47J 31/22  
 See application file for complete search history.

(56) **References Cited**

U.S. PATENT DOCUMENTS

1,969,030 A \* 8/1934 Page ..... B65D 3/06  
 229/5.5  
 D208,829 S \* 10/1967 Stockdale et al. .... D11/143  
 3,419,176 A \* 12/1968 Lipfert ..... B65D 21/0204  
 206/504  
 D250,929 S 1/1979 Gerstman et al.  
 D264,686 S 6/1982 Davis  
 D271,378 S 11/1983 Sun  
 D308,318 S \* 6/1990 Durand ..... D7/509  
 D317,568 S 6/1991 Lane  
 D336,041 S 6/1993 Zama  
 D375,683 S 11/1996 Schoff  
 D426,160 S 6/2000 Lindsay et al.  
 D429,150 S 8/2000 Lindsay et al.  
 D438,794 S 3/2001 Miles et al.  
 D440,829 S 4/2001 Brown  
 D445,310 S 7/2001 Brown  
 D452,434 S 12/2001 Sweeney  
 D498,390 S 11/2004 Vovan  
 D499,645 S 12/2004 Edwards  
 D509,109 S 9/2005 Vovan  
 D510,843 S 10/2005 Vovan  
 D519,831 S 5/2006 Cleir et al.  
 D551,909 S 10/2007 Eide et al.  
 D570,650 S 6/2008 Vovan

D572,133 S 7/2008 Wilson et al.  
 D587,995 S 3/2009 Studee  
 D627,636 S 11/2010 Fang  
 D629,683 S 12/2010 Fang  
 D644,924 S 9/2011 Lin  
 D666,904 S 9/2012 Snedden et al.  
 D690,198 S 9/2013 Haracourt et al.  
 D693,673 S 11/2013 Witte et al.  
 D724,426 S 3/2015 Hu  
 D736,614 S 8/2015 Rapparini  
 D736,617 S 8/2015 Sy  
 D748,436 S \* 2/2016 Kent ..... D7/545  
 D752,971 S \* 4/2016 Vu ..... D9/429  
 D764,908 S \* 8/2016 Shiffer ..... D9/428  
 D766,079 S \* 9/2016 Shiffer ..... D9/428  
 D769,070 S \* 10/2016 Heimsoth ..... D7/509  
 D769,071 S \* 10/2016 Heimsoth ..... D7/509  
 D779,317 S \* 2/2017 Fekete ..... D9/428  
 9,629,503 B2 \* 4/2017 Vu ..... A47J 43/0716  
 D791,586 S \* 7/2017 Bois ..... D9/428  
 D793,857 S \* 8/2017 Rice ..... D9/425  
 2013/0224341 A1 8/2013 BenDavid  
 2016/0083174 A1 \* 3/2016 Halliday ..... B65D 85/8043  
 426/115  
 2016/0244237 A1 \* 8/2016 Hentzel ..... B65D 23/10

OTHER PUBLICATIONS

“LivBlends renames itself Replenish and gives us a first look at its futuristic smoothie machine” (via tech crunch), available Jul. 27, 2016, [online], [site visited Aug. 14, 2017]. Available from internet, <URL: <https://techcrunch.com/2016/07/27/livblends-renames-itself-replenish-and-gives-us-a-first-look-at-it-futuristic-smoothie-machine/>>.  
 \*  
 Disposable Dessert Cups, available Mar. 21, 2012, [online], [site visited Nov. 10, 2015]. Available from internet, <URL: <http://www.mrtakeoutbags.com/product/dessert-dish-pedestal-cups/cdspet8.html>>.

\* cited by examiner

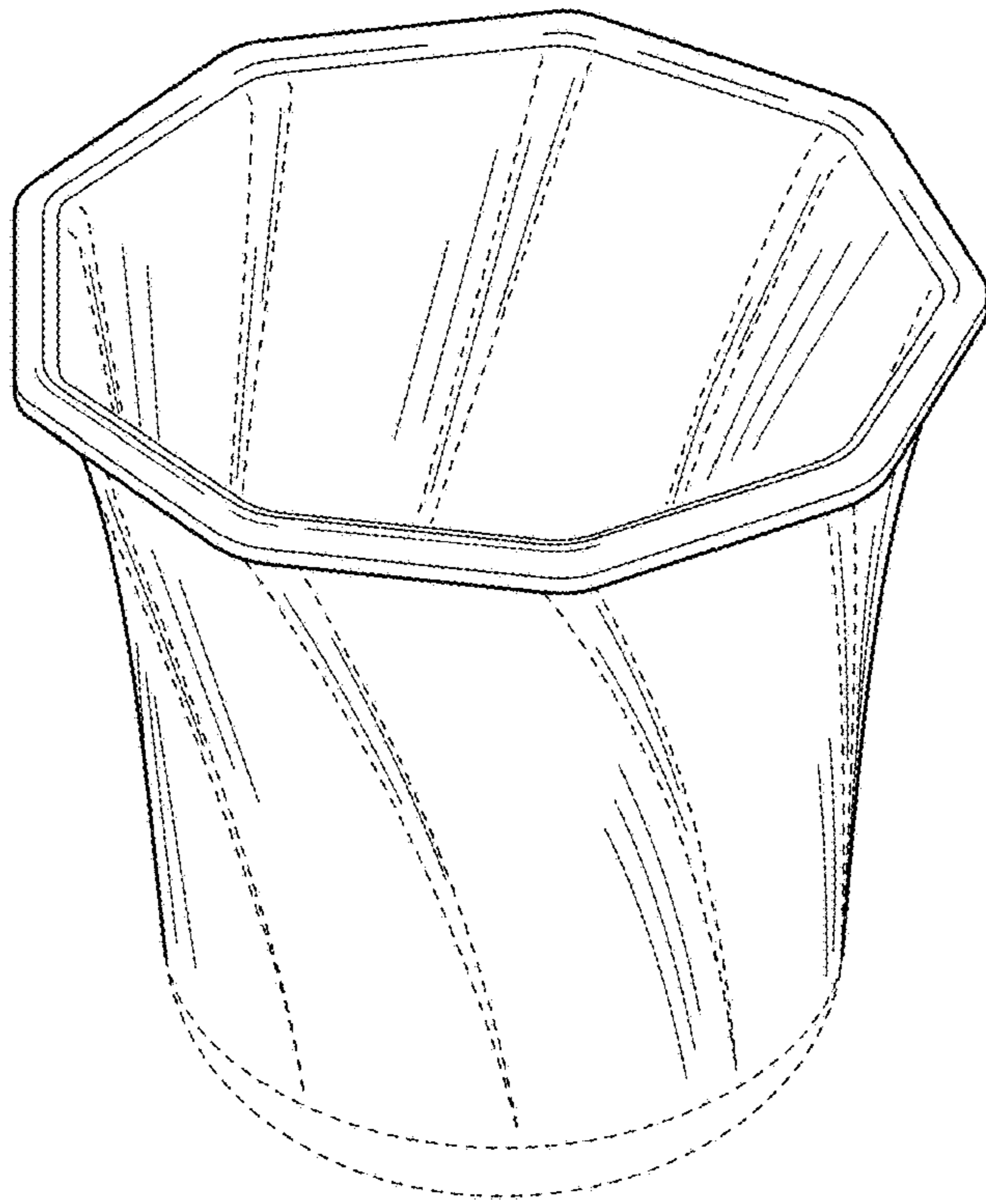


FIG. 1

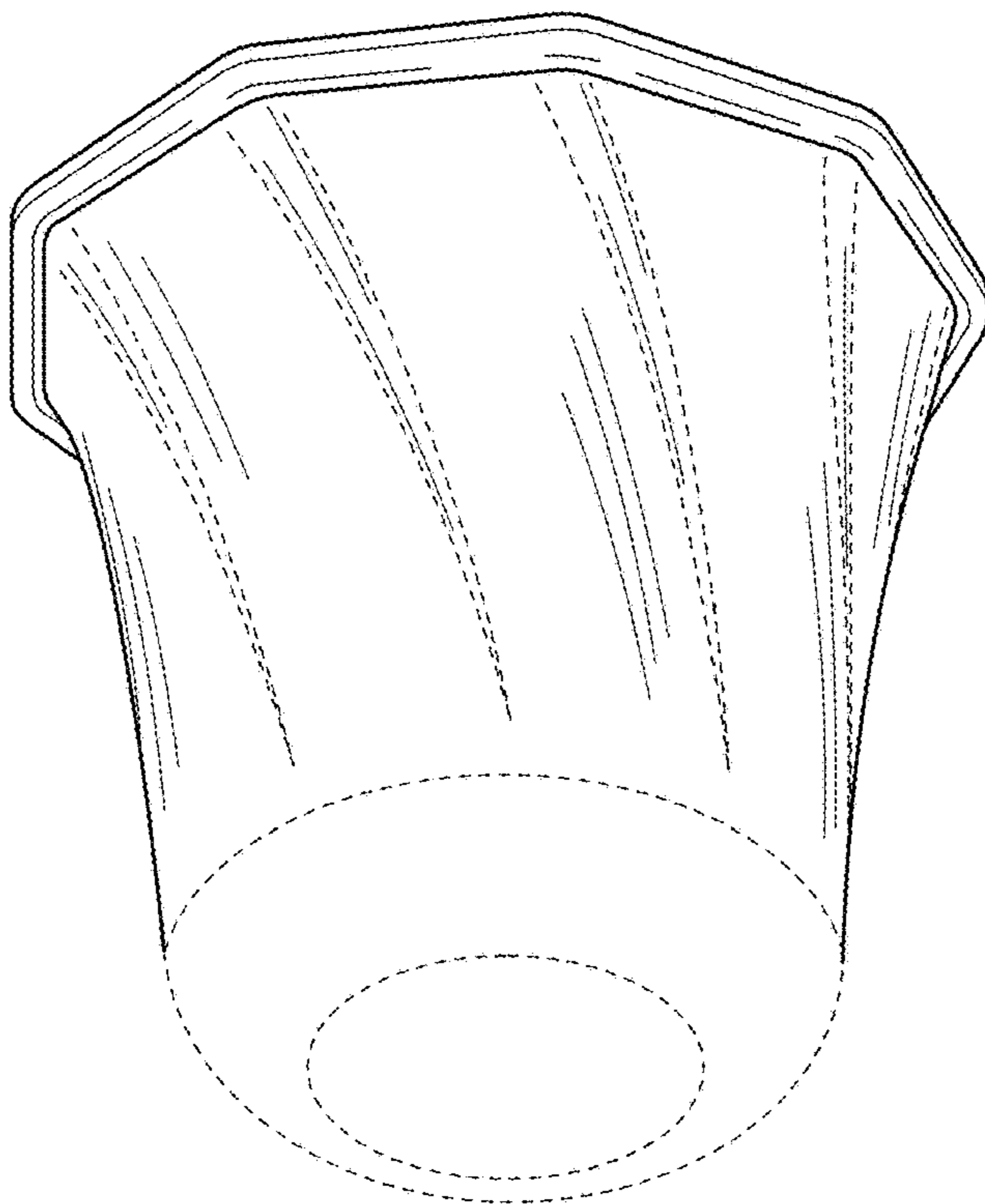


FIG. 2



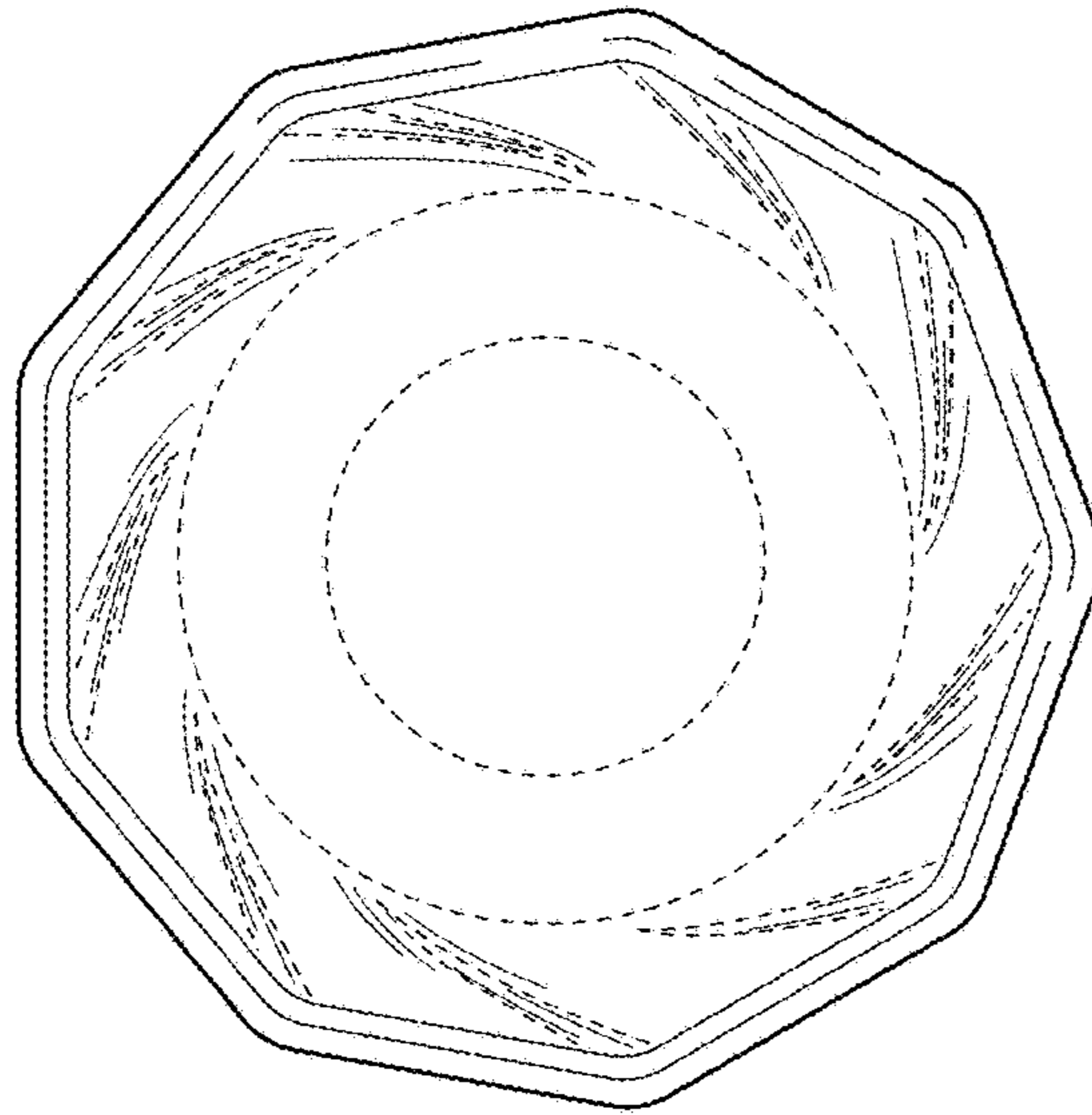


FIG. 3

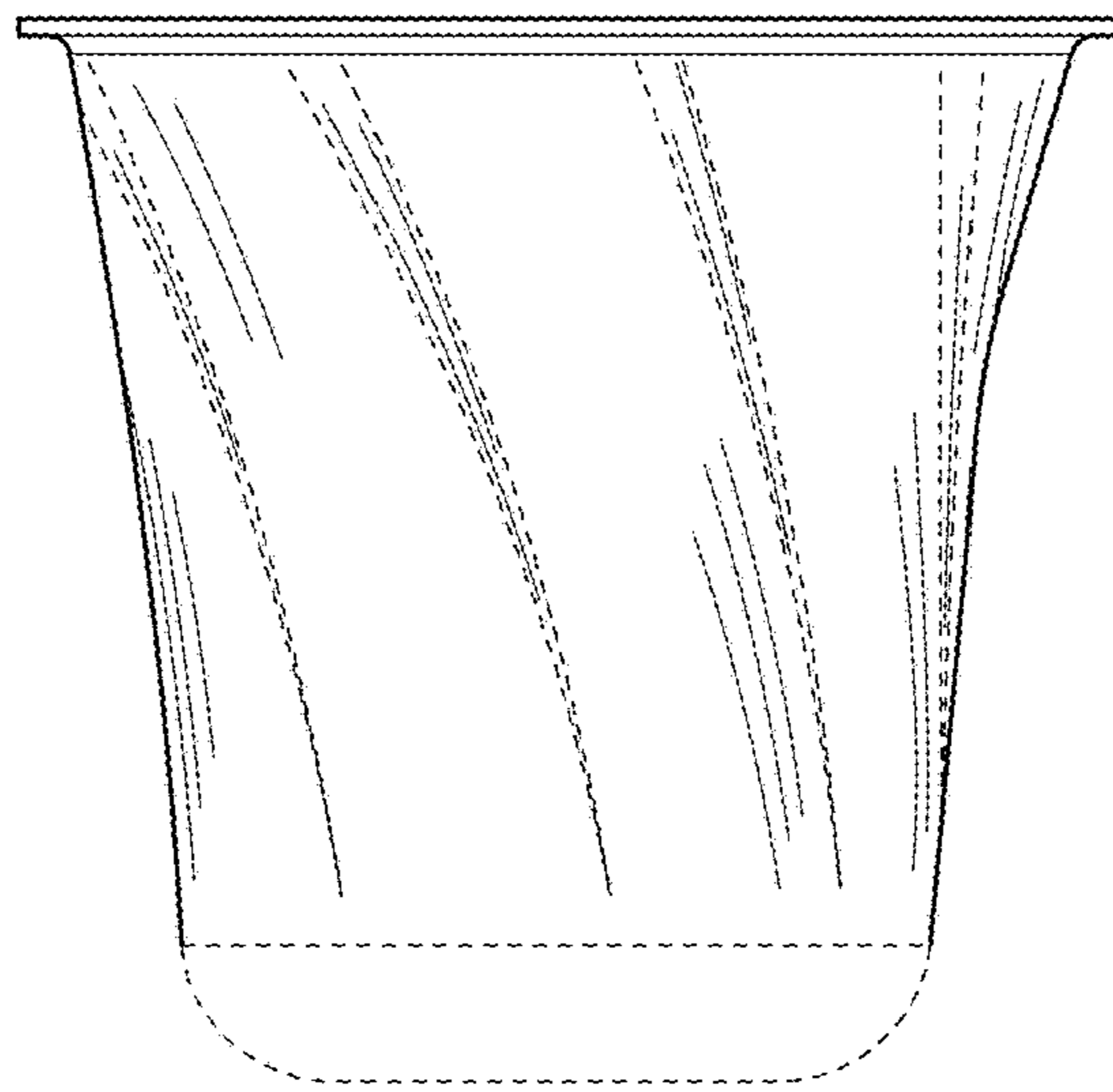


FIG. 4

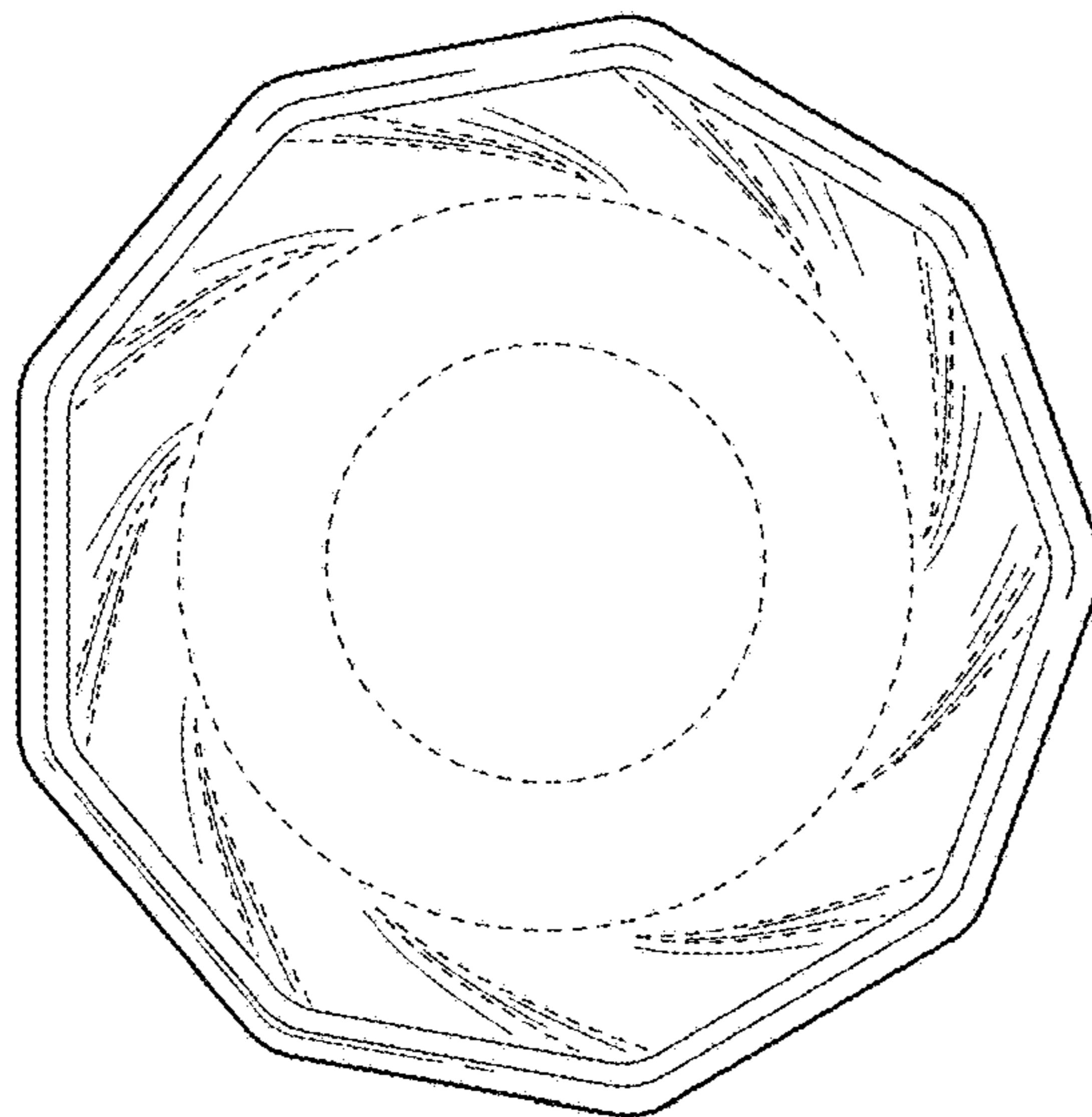


FIG. 5

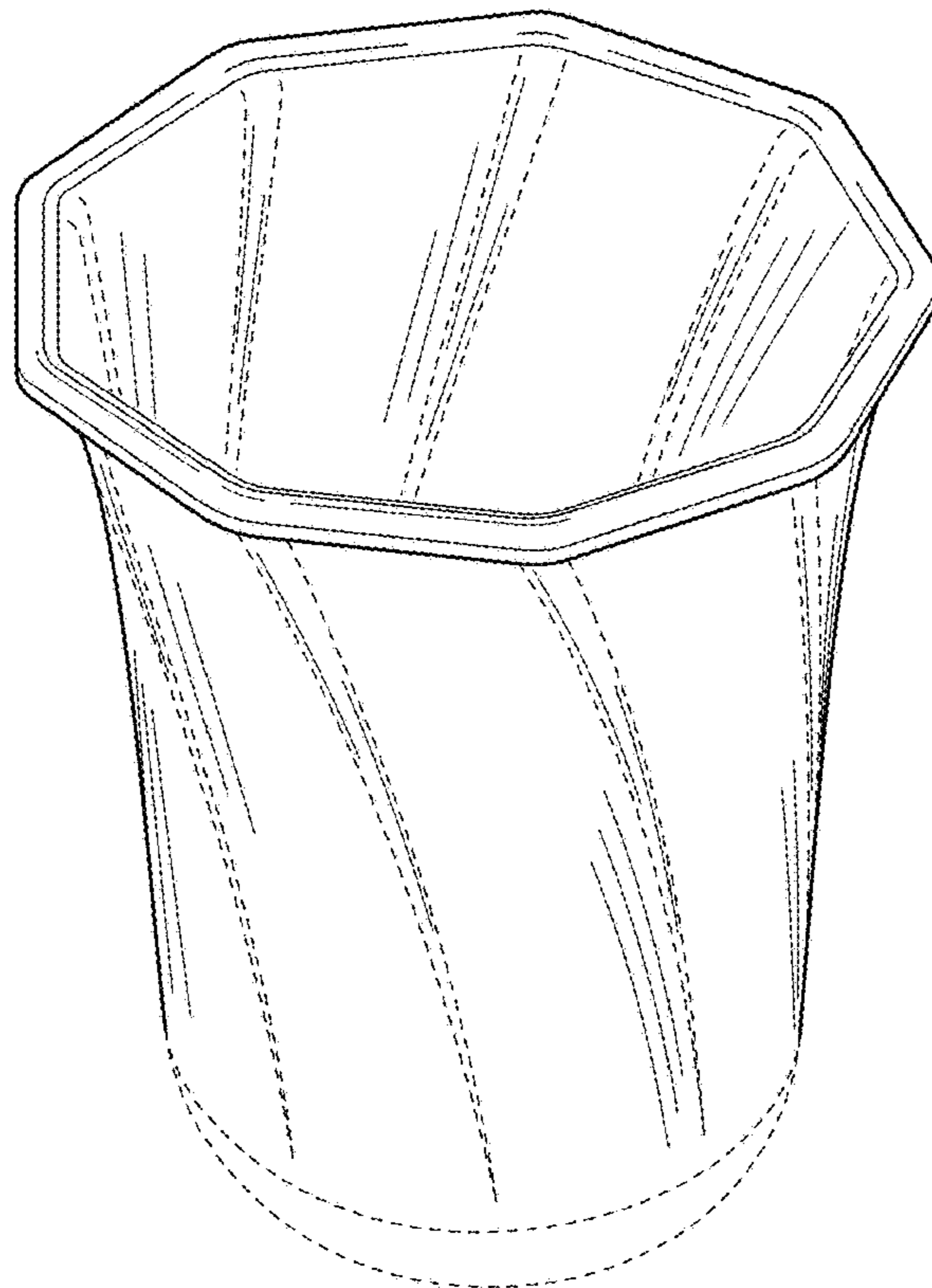


FIG. 6

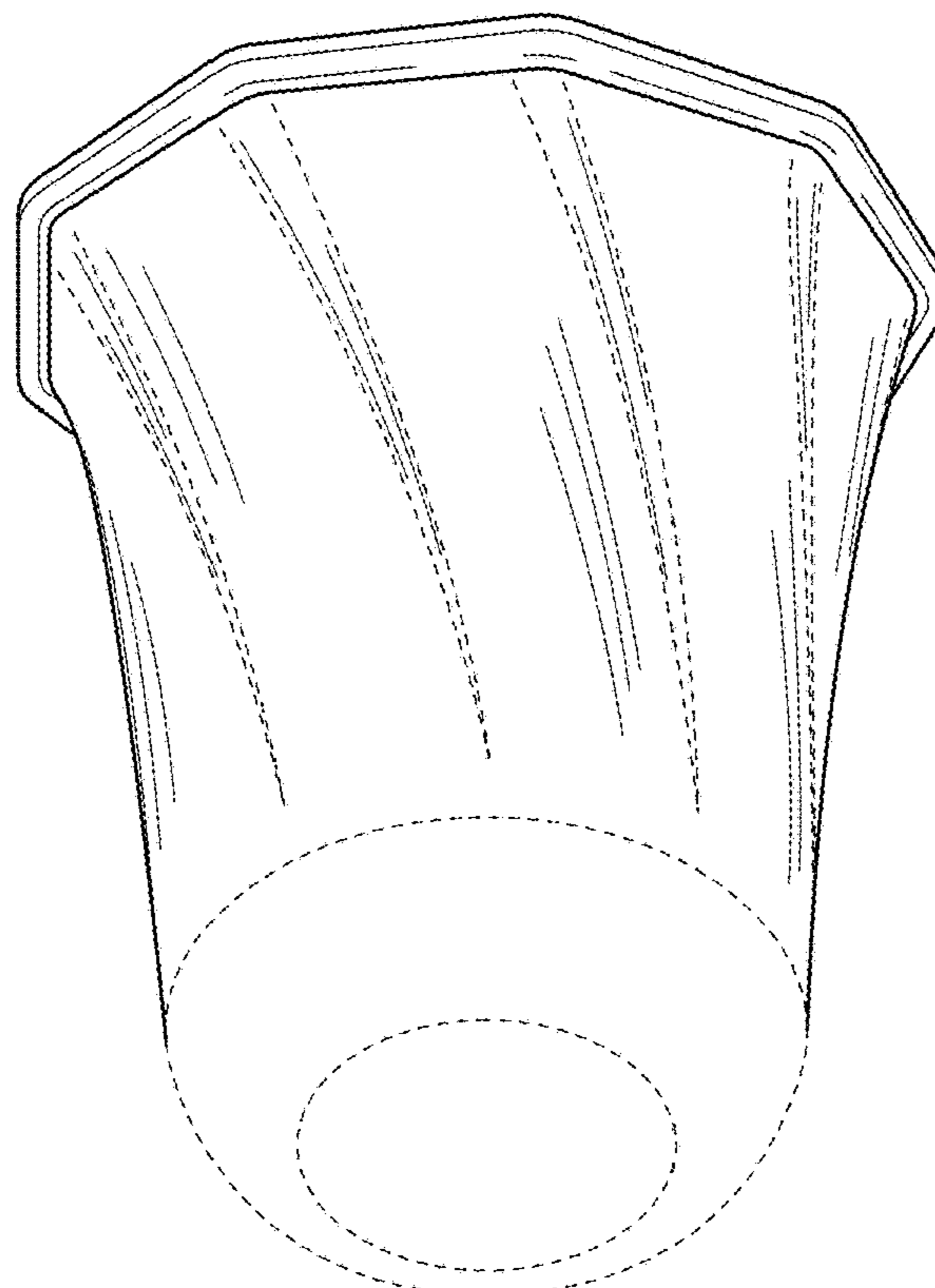


FIG. 7

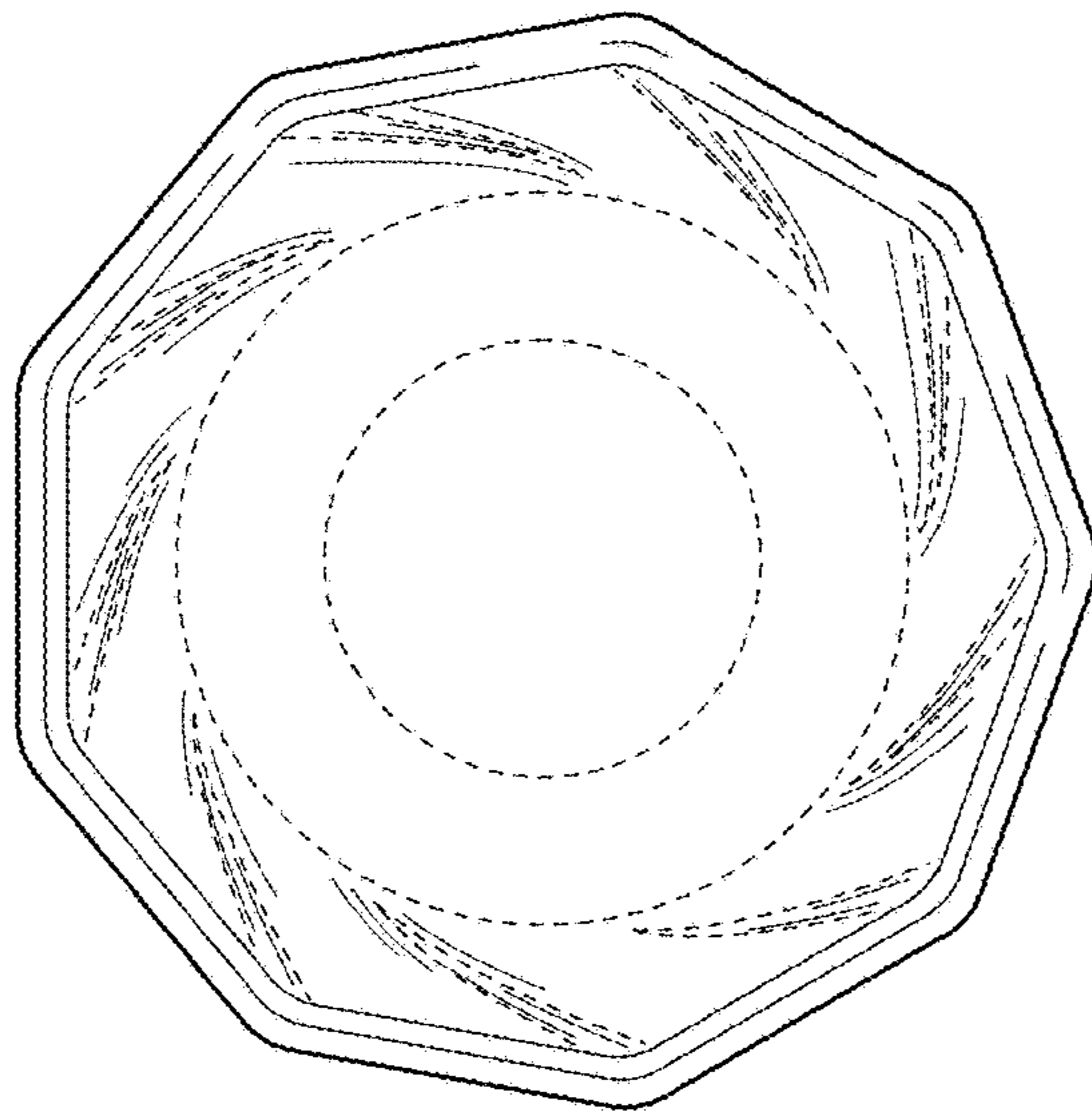


FIG. 8

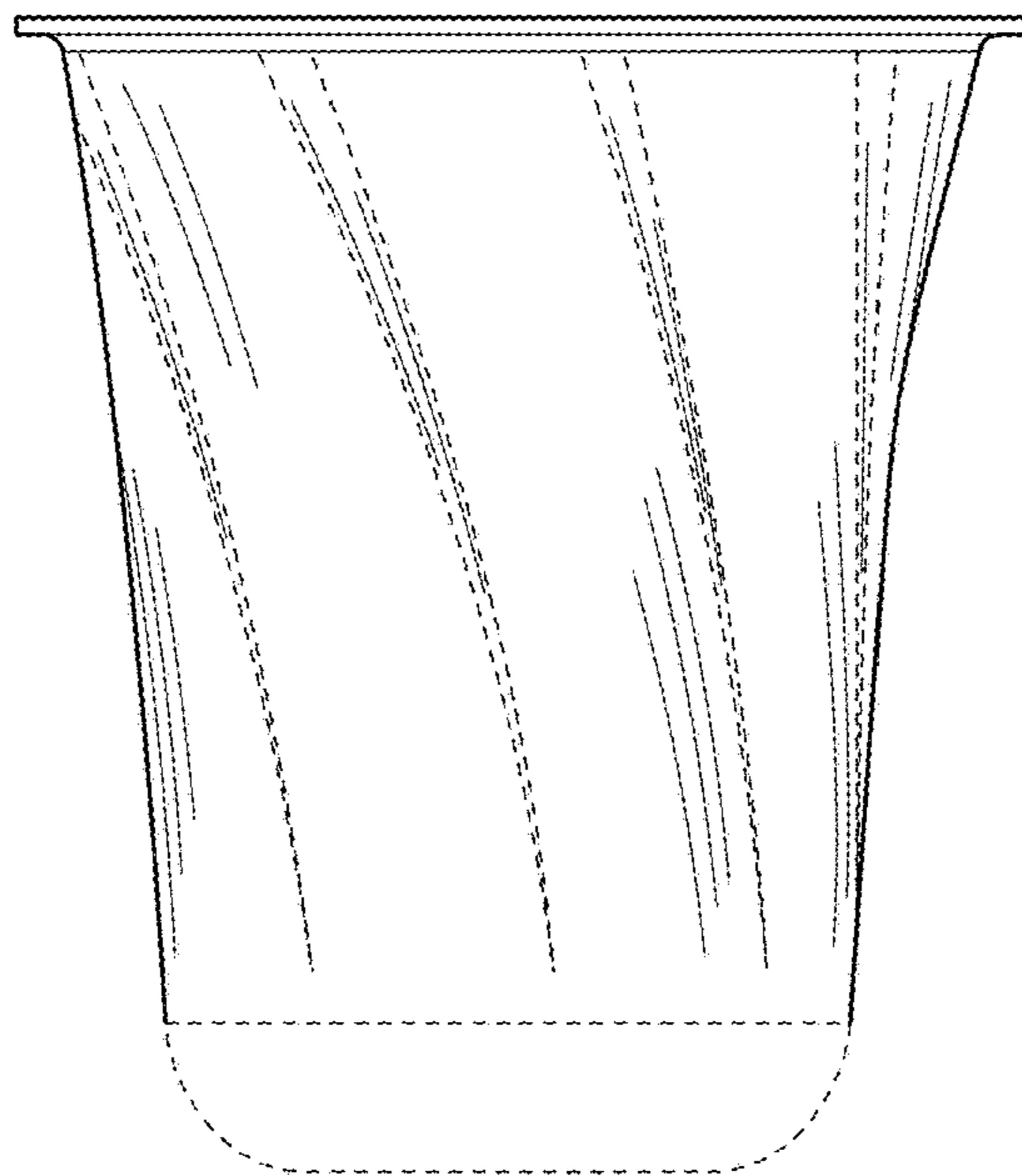


FIG. 9

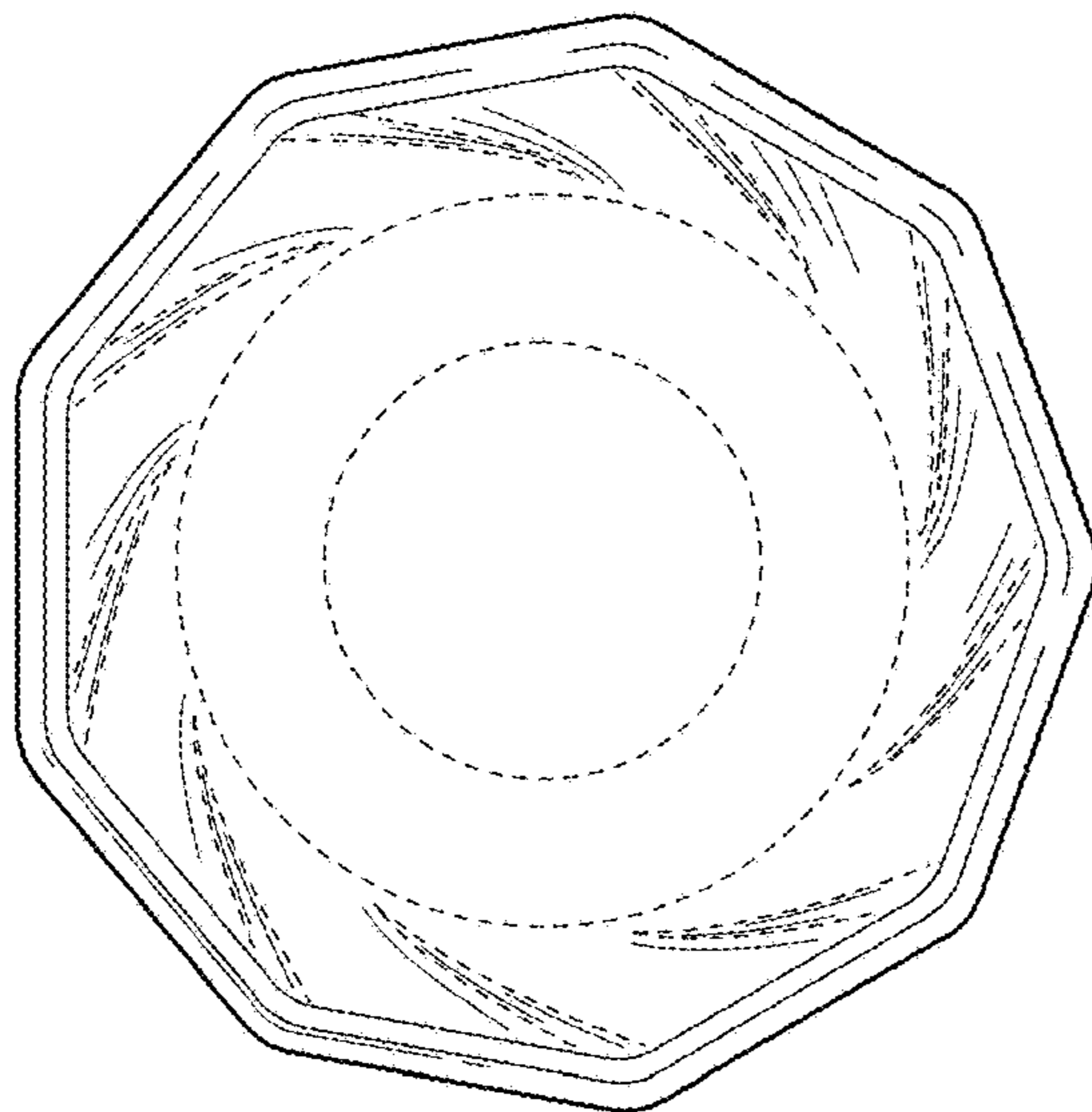


FIG. 10