



US00D833270S

(12) **United States Design Patent** (10) **Patent No.:** **US D833,270 S**
Fath et al. (45) **Date of Patent:** **** Nov. 13, 2018**

(54) **DISPLAY PACKAGE**

(71) Applicant: **Altria Client Services LLC**,
Richmond, VA (US)
(72) Inventors: **Scott A. Fath**, Richmond, VA (US);
William J. Bogdziewicz, Richmond,
VA (US); **Robert T. Mitten**, Richmond,
VA (US); **Ryan Bailey**, Richmond, VA
(US)

(73) Assignee: **Altria Client Services LLC**,
Richmond, VA (US)

(**) Term: **15 Years**

(21) Appl. No.: **29/561,578**

(22) Filed: **Apr. 18, 2016**

Related U.S. Application Data

(63) Continuation-in-part of application No. 29/561,548,
filed on Apr. 18, 2016, which is a continuation of
application No. 14/998,021, filed on Apr. 17, 2015.

(51) **LOC (11) Cl.** **09-03**

(52) **U.S. Cl.**
USPC **D9/418**

(58) **Field of Classification Search**
USPC D9/414, 415, 424, 425, 433, 715, 719,
D9/722, 721, 737

CPC .. B65D 75/36; B65D 2201/00; B65D 5/4208;
B65D 75/32; B65D 81/2076; B65D
2543/00296; B65D 75/22; B65D
2575/367; B65D 5/52; B65D 2543/00194;
B65D 43/162; B65D 75/367; B65D
85/00; B65D 2571/0066; B65D 73/0028;
B65D 73/0042; B65D 5/5038; B65D
1/36; B65D 71/10; B65D 5/503; B65D
21/0233; B65D 2519/00034; B65D
2519/00069; B65D

(Continued)

(56) **References Cited**

U.S. PATENT DOCUMENTS

2,913,101 A * 11/1959 Daily B65D 5/4204
206/216
3,338,400 A * 8/1967 Raymond A61B 17/06133
206/363

(Continued)

FOREIGN PATENT DOCUMENTS

GB 208829 A 1/1924
GB 2088829 A 6/1982

(Continued)

OTHER PUBLICATIONS

E-cigarette blister pack eGo-K vivi nova started kit 650mah/
1100mah, First Union, 2015, 1-8 <[http://www.alibaba.com/product-
detail/E-cigarette-blister-pack-eGo-K_721390903.html?s=p](http://www.alibaba.com/product-detail/E-cigarette-blister-pack-eGo-K_721390903.html?s=p)>.

(Continued)

Primary Examiner — Lauren R Calve

(74) *Attorney, Agent, or Firm* — Harness, Dickey &
Pierce, P.L.C.

(57) **CLAIM**

The ornamental design for a display package, as shown and
described.

DESCRIPTION

FIG. 1 is a perspective view of a display package showing
our new design.

FIG. 2 is a front elevational view thereof.

FIG. 3 is a rear elevational view thereof.

FIG. 4 is a left side elevational view thereof.

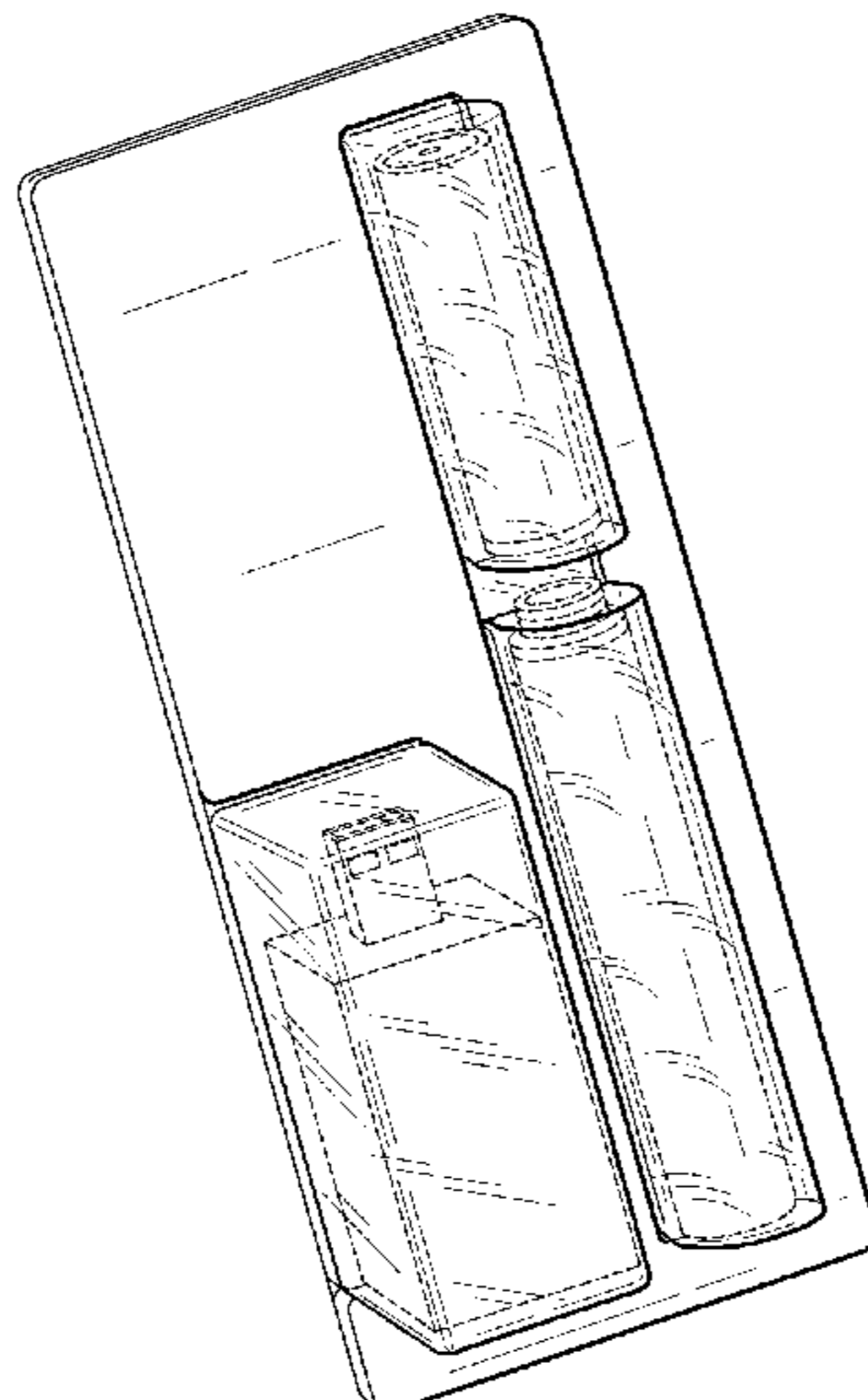
FIG. 5 is a right side elevational view thereof.

FIG. 6 is a top plan view thereof; and,

FIG. 7 is a bottom plan view thereof.

The broken lines shown represent unclaimed subject matter
and form no part of the claimed design.

1 Claim, 4 Drawing Sheets



(58) **Field of Classification Search**

CPC 2519/00288; B65D 2519/00318; B65D
11/20; B65D 2519/00174; B65D
2519/00268; B65D 2519/0094; B65D
5/48024; B65D 5/48028; B65D 65/10;
B65D 71/246; B65D 77/046; B65D
77/22; Y10S 435/81

See application file for complete search history.

(56) **References Cited**

U.S. PATENT DOCUMENTS

3,762,545 A 10/1973 Warner et al.
4,125,190 A 11/1978 Davie, Jr. et al.
4,180,165 A * 12/1979 Kuchenbecker B65D 5/5019
206/461
D263,561 S 3/1982 Wong
4,549,654 A * 10/1985 Tiesman B65D 73/0085
206/462
4,804,984 A 2/1989 Heuer et al.
4,958,731 A 9/1990 Calcerano
5,060,814 A 10/1991 Oglesbee
D324,651 S * 3/1992 Kaneko D9/418
5,275,291 A 1/1994 Sledge
5,392,919 A * 2/1995 Passamoni B65D 73/0085
206/223
D417,391 S * 12/1999 Szczepanski D9/423
D440,489 S 4/2001 Igami et al.
6,298,995 B1 * 10/2001 Schwester B65D 5/50
206/277
6,308,832 B1 10/2001 Pirro et al.
6,588,596 B1 7/2003 Holmes et al.
D495,249 S 8/2004 Martinson et al.
6,779,566 B2 * 8/2004 Engel A45D 40/00
141/100
6,920,980 B2 7/2005 Hwang et al.
D510,262 S 10/2005 Isono et al.
6,951,282 B2 10/2005 Jones
D584,138 S * 1/2009 Lafortezza D9/415
7,533,744 B2 5/2009 MacK
7,533,774 B2 * 5/2009 Zimmerman A45C 11/24
206/387.14
7,621,405 B2 * 11/2009 Schweitzer B65D 73/0092
206/463
7,650,997 B2 * 1/2010 Nago B65D 5/5014
206/315.11
8,006,834 B2 8/2011 Marcinkowski
D660,723 S * 5/2012 Akana D9/424
D692,615 S 10/2013 Verleur
D700,048 S * 2/2014 Bloch D9/415
D712,090 S 8/2014 Liu
D712,748 S * 9/2014 Akana D9/721
D713,738 S * 9/2014 Akana D9/721
D713,739 S * 9/2014 Akana D9/721
D713,740 S * 9/2014 Akana D9/721
D722,497 S 2/2015 Saideh
D727,497 S 4/2015 Yang et al.
D736,077 S * 8/2015 Moskovich D9/415
D748,498 S * 2/2016 Pipes D9/424
9,290,291 B2 * 3/2016 Hamdoun B65D 5/38
D768,008 S * 10/2016 Akana D9/721
9,492,006 B2 * 11/2016 Jimenez A46B 11/0065
9,527,643 B2 * 12/2016 Streich B65D 73/005

2005/1018398 8/2005 Gelardi
2006/0231447 A1 10/2006 Fensham
2008/0314791 A1 12/2008 Schweitzer et al.
2009/0285436 A1 * 11/2009 Lowry H04R 1/1016
381/380
2011/0147241 A1 * 6/2011 Marcinkowski B65D 75/327
206/223
2011/0278192 A1 11/2011 Thornton et al.
2013/0146489 A1 6/2013 Scatterday
2014/0209497 A1 7/2014 Jacobus
2014/0216970 A1 8/2014 Mattiucci
2014/0262931 A1 9/2014 Fath
2015/0008149 A1 1/2015 Liu
2015/0375893 A1 * 12/2015 Korinek B65D 5/503
493/90
2016/0264297 A1 * 9/2016 Cernokus B65D 85/40
2017/0008683 A1 * 1/2017 Fath B65D 75/367
2017/0060262 A1 * 3/2017 Hviid G06F 3/03

FOREIGN PATENT DOCUMENTS

KR 2012-0003872 U 6/2012
WO WO-2005/054078 A1 6/2005
WO WO-2015/015156 A1 2/2015

OTHER PUBLICATIONS

E-cigarette blister ego ce4 1x ego battery/1x ce4 clearomizer/1x oil
bottle/1x usb charger wholesale, Vaporcity LTD, 2015. 1-7 <<http://www.dhgate.com/store/product/e-cigarette-blister-ego-ce4-1x-ego-battery/159864136.html>>.
New design pen style electronic cigarette Mini eGo-B black rubberized finish e-cigarette blister pack, Uncig, 2015, 1-14. <http://www.alibaba.com/product-detail/New-design-pen-style-electronic-cigarette_1804572170.html>.
Partial International Search Report for International Application No. PCT/US2016/027200 dated Jun. 23, 2016.
International Preliminary Report for corresponding International Application No. PCT/US2016/027200 dated Oct. 26, 2017.
Office Action for corresponding U.S. Appl. No. 29/561,548 dated Mar. 15, 2018.
Election of Species and Restriction Requirement for U.S. Appl. No. 29/561,578 dated Jul. 3, 2017.
Non-Final Office Action for U.S. Appl. No. 29/561,578 dated Sep. 25, 2017.
Notice of Allowance for U.S. Appl. No. 29/561,578 dated Apr. 5, 2018.
Election of Species and Restriction Requirement for U.S. Appl. No. 29/561,548 dated Jun. 30, 2017.
Non-Final Office Action for U.S. Appl. No. 29/561,548 dated Sep. 11, 2017.
Restriction Requirement and Election of Species for U.S. Appl. No. 14/998,021 dated May 25, 2017.
Non-Final Office Action for U.S. Appl. No. 14/998,021 dated Aug. 9, 2017.
Notice of Allowance for U.S. Appl. No. 14/998,021 dated Feb. 27, 2018.
Notice of Allowance for corresponding U.S. Appl. No. 14/998,021 dated Jun. 15, 2018.
Notice of Allowance for corresponding U.S. Appl. No. 29/561,548 dated Aug. 1, 2018.

* cited by examiner

FIG. 1

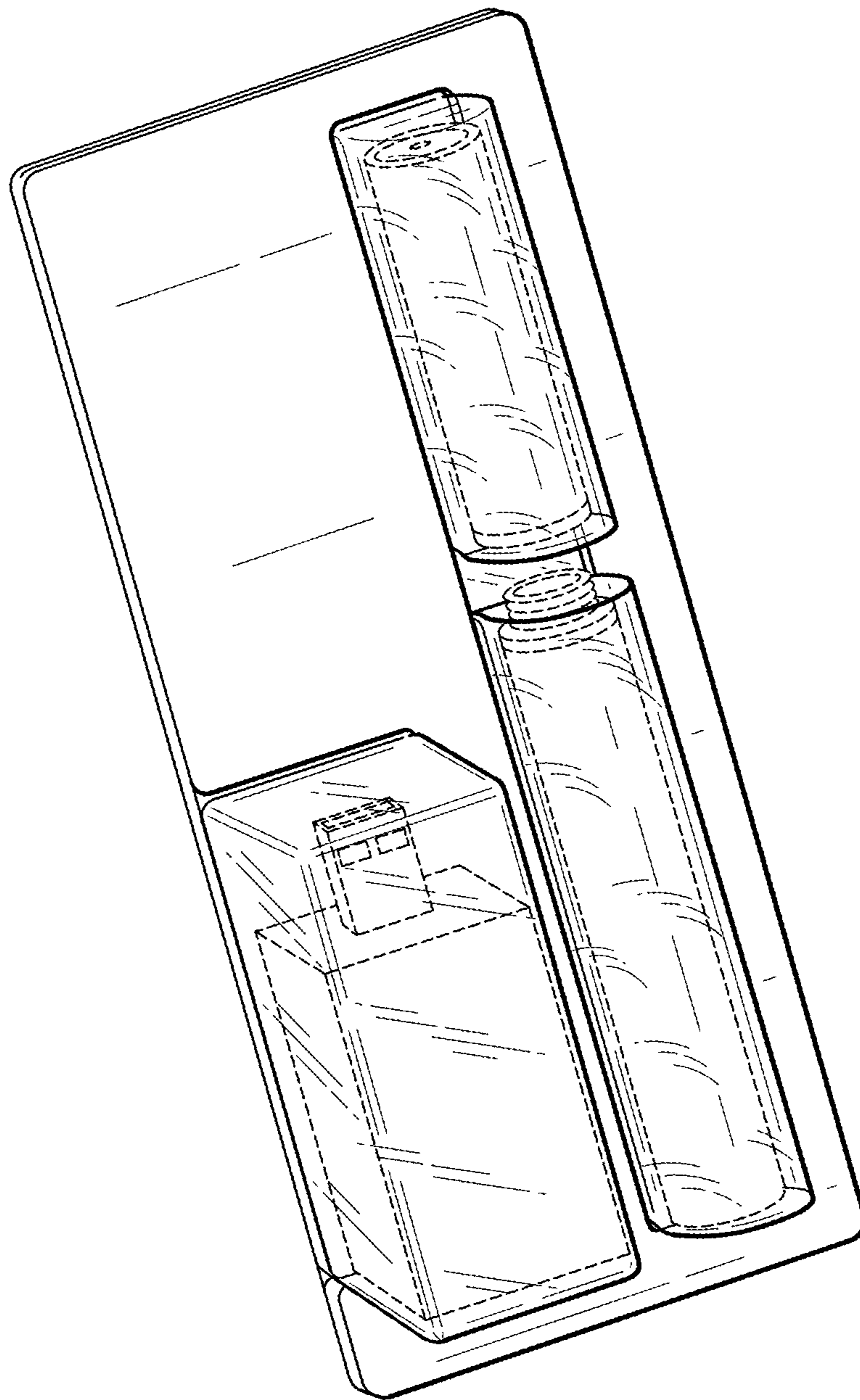


FIG. 2

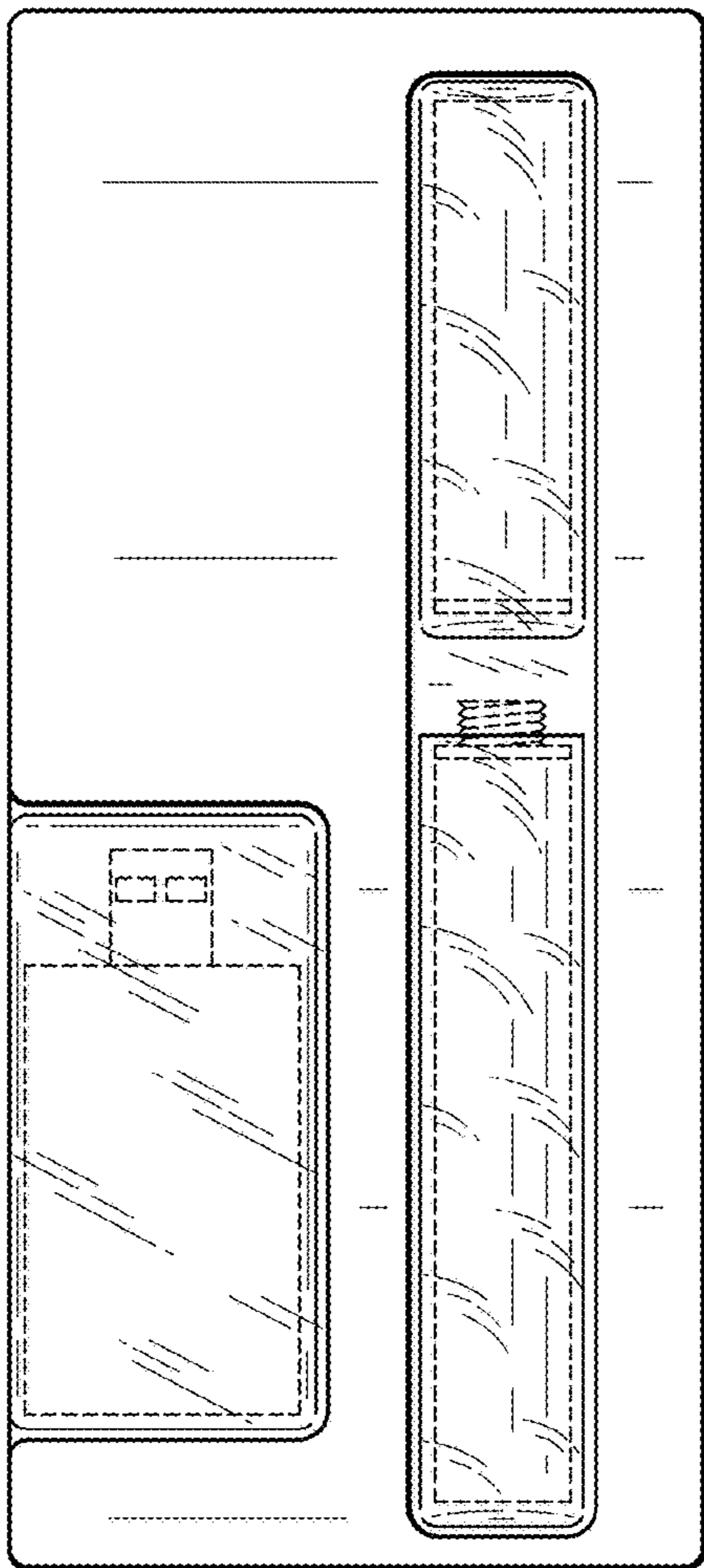


FIG. 3

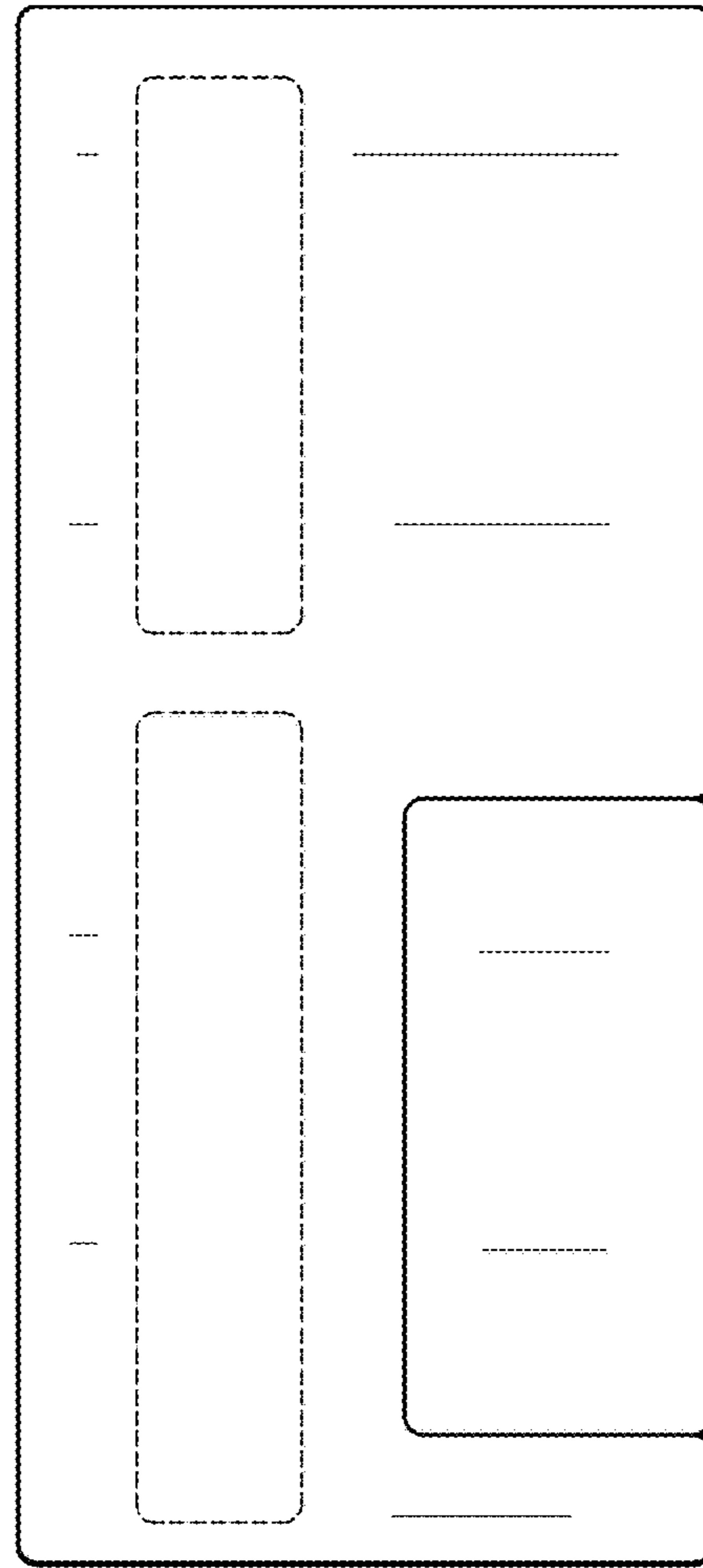


FIG. 4

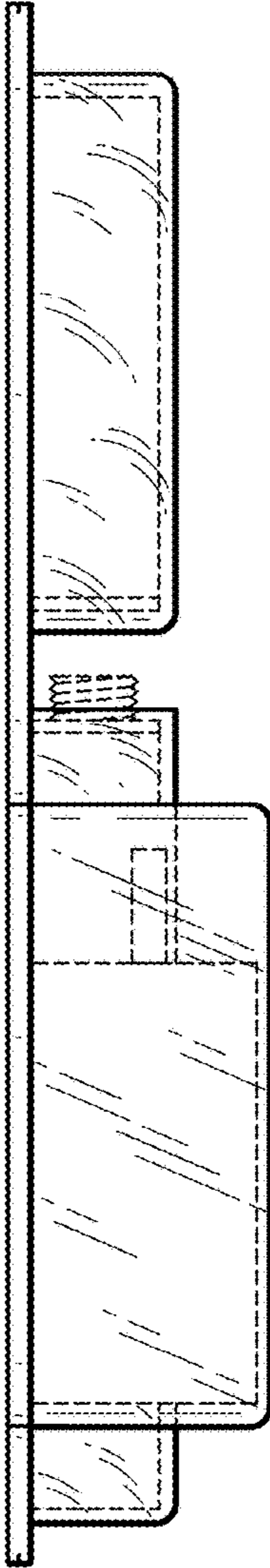


FIG. 5

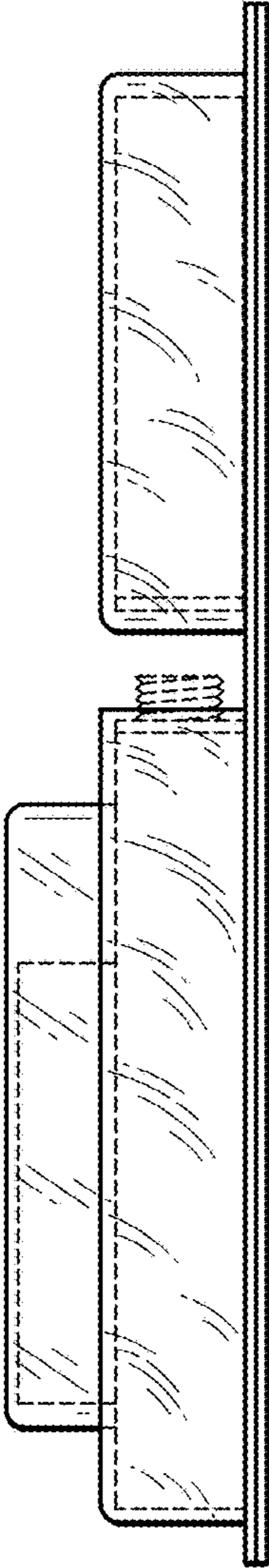


FIG. 6

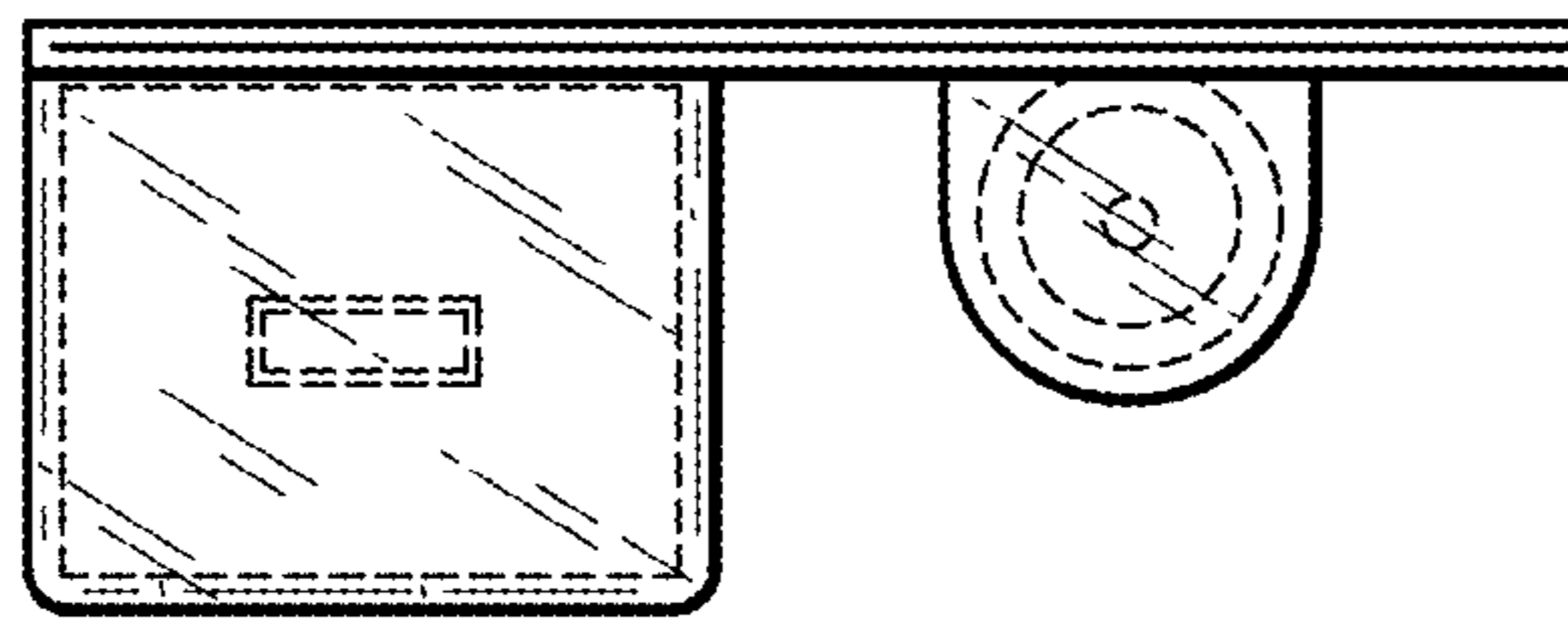


FIG. 7

