



US00D833268S

(12) **United States Design Patent** (10) **Patent No.:** **US D833,268 S**
Werth (45) **Date of Patent:** **** *Nov. 13, 2018**

(54) **PACKAGING FOR PLANT MATERIAL**

(71) Applicant: **Podworks Corp.**, Arlington, WA (US)

(72) Inventor: **Thomas Werth**, Kirkland, WA (US)

(73) Assignee: **Podworks Corp.**, Arlington, WA (US)

(*) Notice: This patent is subject to a terminal disclaimer.

(**) Term: **15 Years**

(21) Appl. No.: **29/606,225**

(22) Filed: **Jun. 2, 2017**

(51) **LOC (11) Cl.** **09-03**

(52) **U.S. Cl.**
USPC **D9/414**

(58) **Field of Classification Search**
USPC D9/414-416, 418, 422, 423, 428, 435,
D9/454, 500, 503, 518, 529, 539, 549,
D9/550, 552, 554, 565, 716, 717, 719,
D9/738, 743, 467, 707, 773, 776-780;
99/295; 426/433; 210/500.1
CPC A47J 31/0689
See application file for complete search history.

(56) **References Cited**

U.S. PATENT DOCUMENTS

D259,625 S *	6/1981	Hamilton	D9/428
D321,477 S *	11/1991	Gunter	D30/121
5,076,463 A *	12/1991	McGraw	A47G 19/2288
				126/400
D531,451 S *	11/2006	Bin	D7/510
D548,586 S *	8/2007	Waples	D9/416
D553,437 S *	10/2007	Bodum	D7/509
D571,223 S *	6/2008	Imperato	D9/500
D631,294 S *	1/2011	Ross	D7/507
D631,702 S *	2/2011	Flick	D7/509
D670,836 S *	11/2012	Hisey	26/22
D694,112 S *	11/2013	Brown	D9/428
D715,649 S *	10/2014	O'Brien	D9/500

D731,890 S *	6/2015	Trombetta	D9/428
D757,497 S *	5/2016	Bodum	D7/509
D761,108 S *	7/2016	Trombetta	D9/503
D772,013 S *	11/2016	O'Connor	D7/509
D798,663 S *	10/2017	Matsui	D7/507
D798,718 S *	10/2017	Foster	D9/500
D799,267 S *	10/2017	Luo	D7/509
D800,503 S *	10/2017	Notheis	D7/523
2007/0169404 A1 *	7/2007	Cagle	C11C 5/008
				44/275

(Continued)

OTHER PUBLICATIONS

“Maars Insulated Travel Tumbelers”, posted May 9, 2017 [online], [retrieved Apr. 14, 2018], retrieved from Internet: https://www.amazon.com/Insulated-Travel-Tumblers-Double-Acrylic/product-reviews/B01N7VG6TS/ref=cm_cr_getr_d_paging_btm_17?ie=UTF8&reviewerType=all_reviews&sortBy=recent&pageNumber=17.

(Continued)

Primary Examiner — Barbara Fox
Assistant Examiner — Mehri F Bajoul
(74) *Attorney, Agent, or Firm* — Ellen M. Bierman; Mark P. Walters; Lowe Graham Jones PLLC

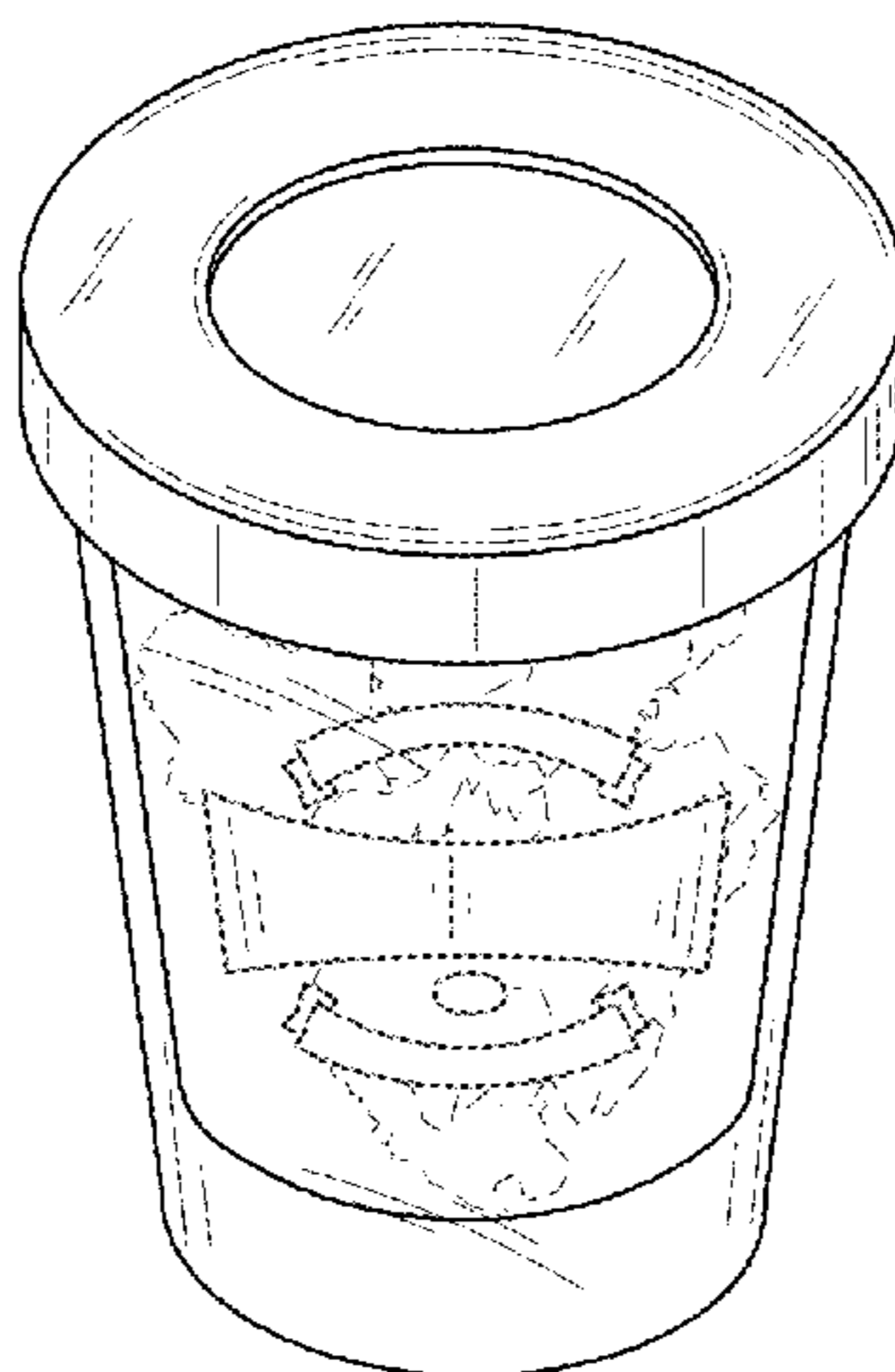
(57) **CLAIM**

The ornamental design for a packaging for plant material, as shown and described.

DESCRIPTION

FIG. 1 is a front plan view of a packaging for plant material showing my new design.
FIG. 2 is a rear plan view thereof.
FIG. 3 is a left plan view thereof.
FIG. 4 is a right plan view thereof.
FIG. 5 is a top front isometric view thereof; and,
FIG. 6 is a bottom front isometric view thereof.
The broken lines in the drawings depict portions of the packaging for plant material that form no part of the claimed design.

1 Claim, 3 Drawing Sheets



(56)

References Cited

U.S. PATENT DOCUMENTS

2009/0229470 A1* 9/2009 Dorfmueller A47J 31/0689
99/295
2012/0097602 A1* 4/2012 Tedford B65D 65/466
210/500.1

OTHER PUBLICATIONS

“Double Wall Espresso Cups Set”, posted Oct. 16, 2017 [online],
[retrieved Apr. 14, 2018], retrieved from Internet: https://www.amazon.com/Double-Wall-Espresso-Cups-Set/product-reviews/B07177NKS5/ref=cm_cr_getr_d_paging_btm_7?ie=UTF8&reviewerType=all_reviews&sortBy=recent&pageNumber=7.
“JoyJolt Spike Insulated Glass”, page published 2018 [online],
[retrieved Apr. 14, 2018], retrieved from Internet:: <https://www.joyjolt.com/spike-insulated-glasses.html/>.

* cited by examiner

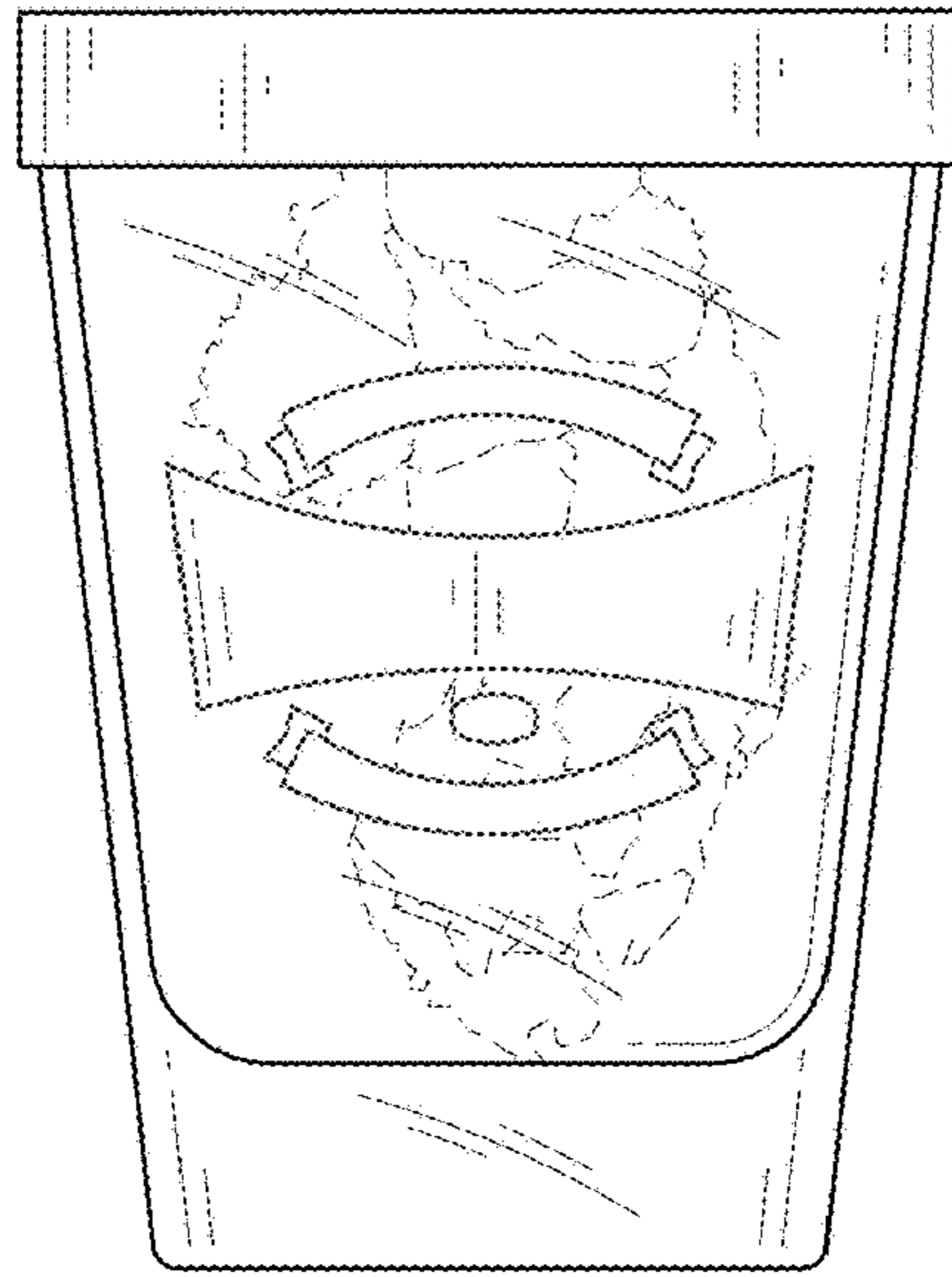


FIG. 1

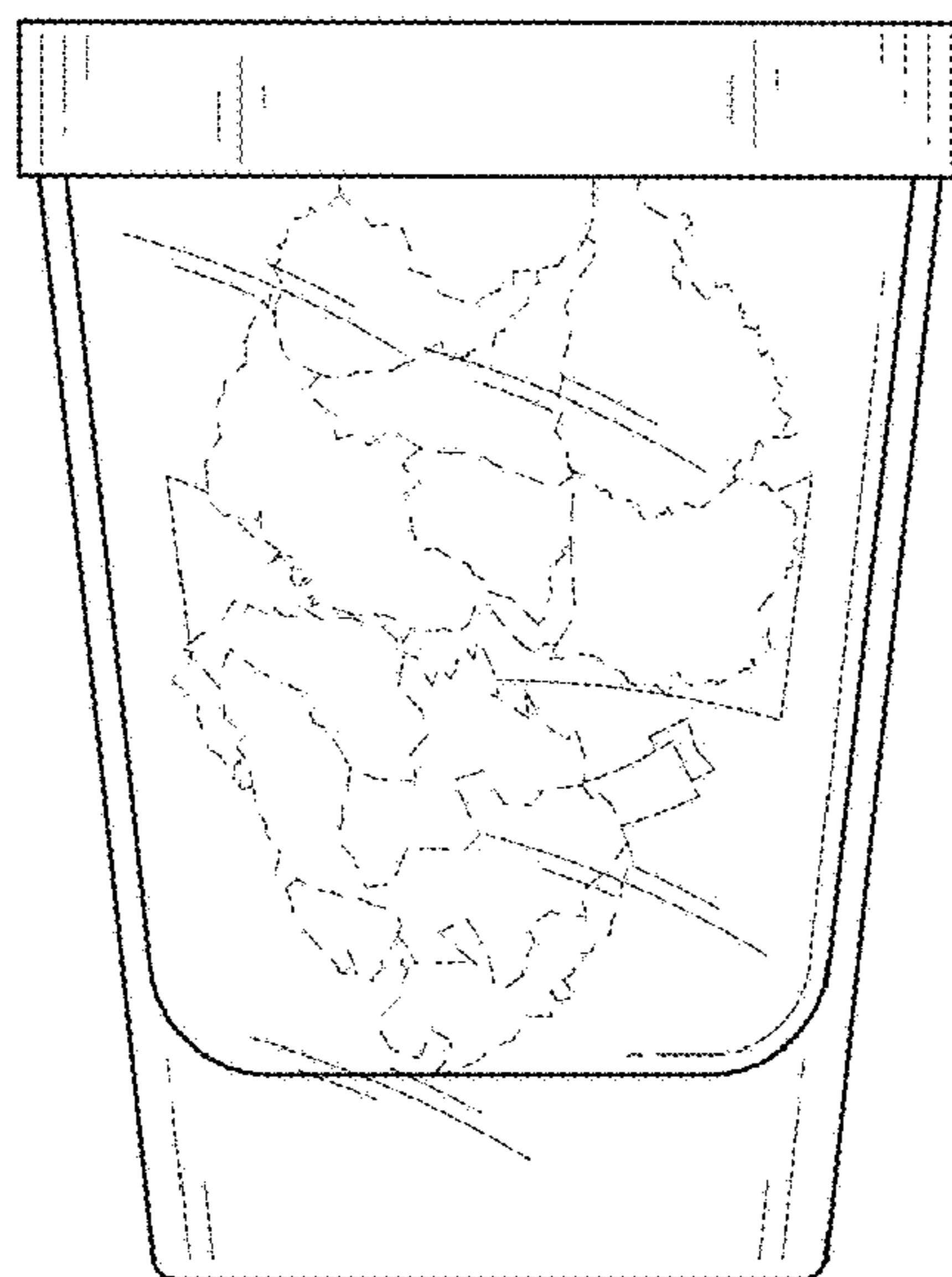


FIG. 2

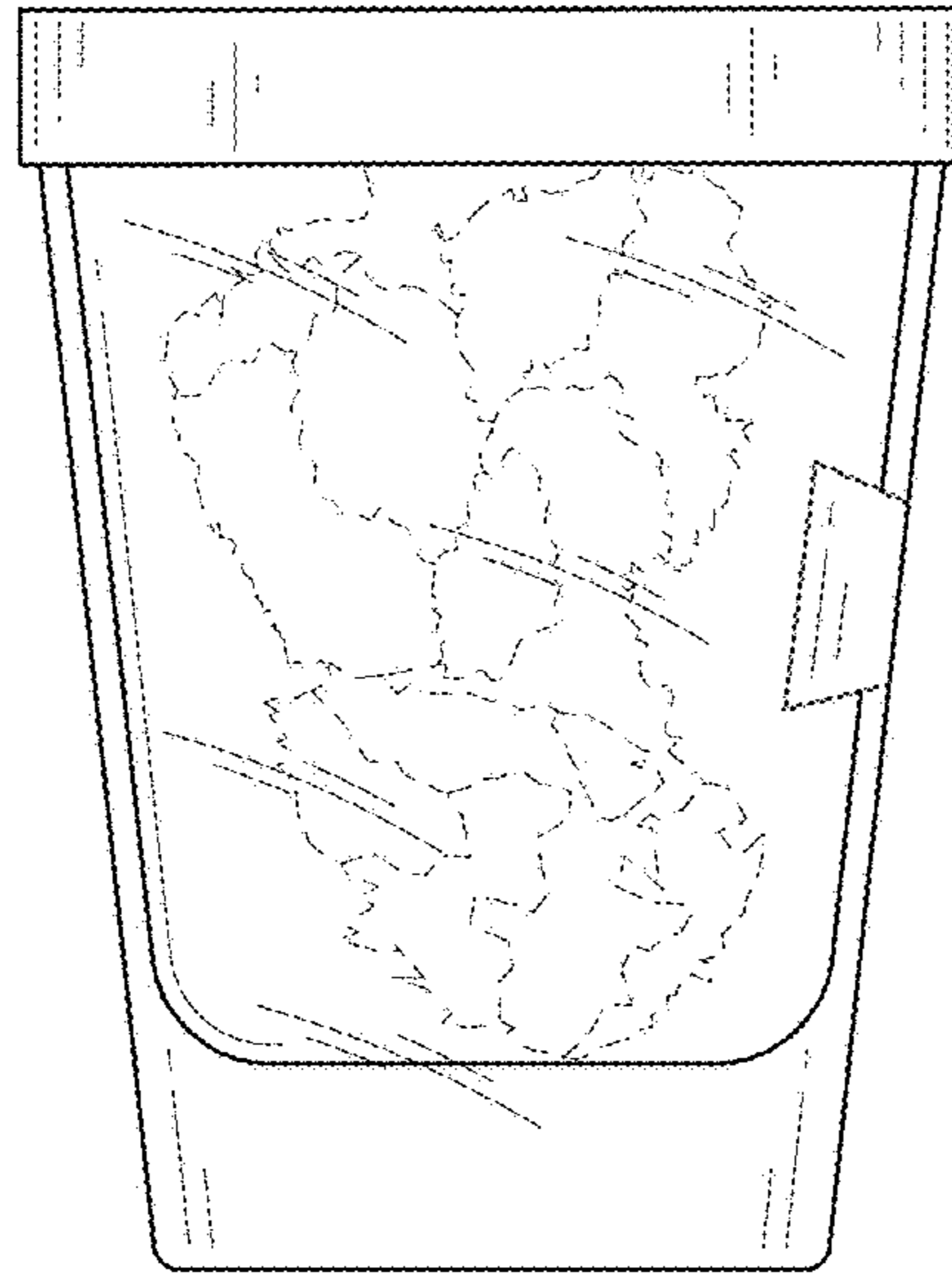


FIG. 3

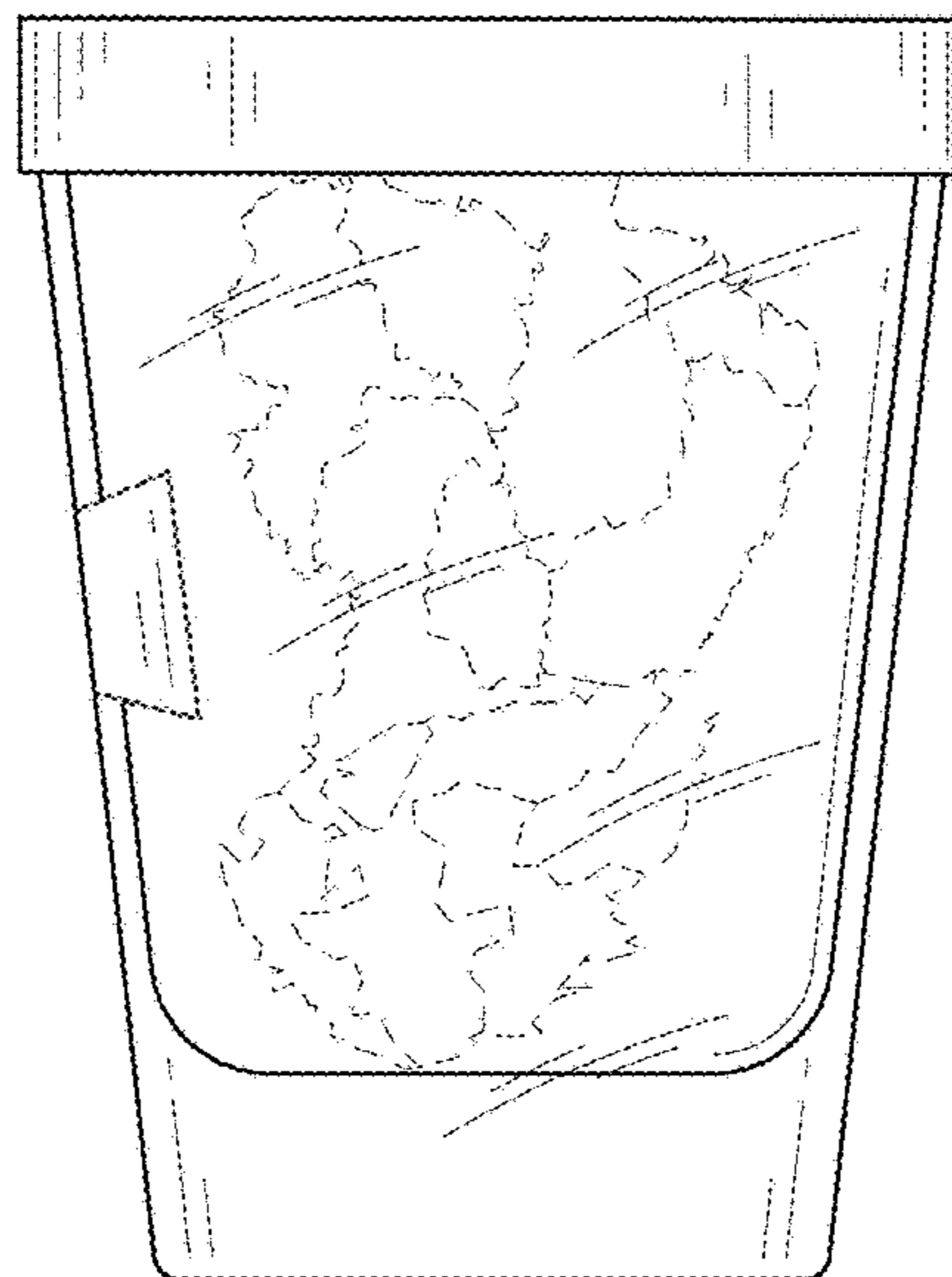


FIG. 4

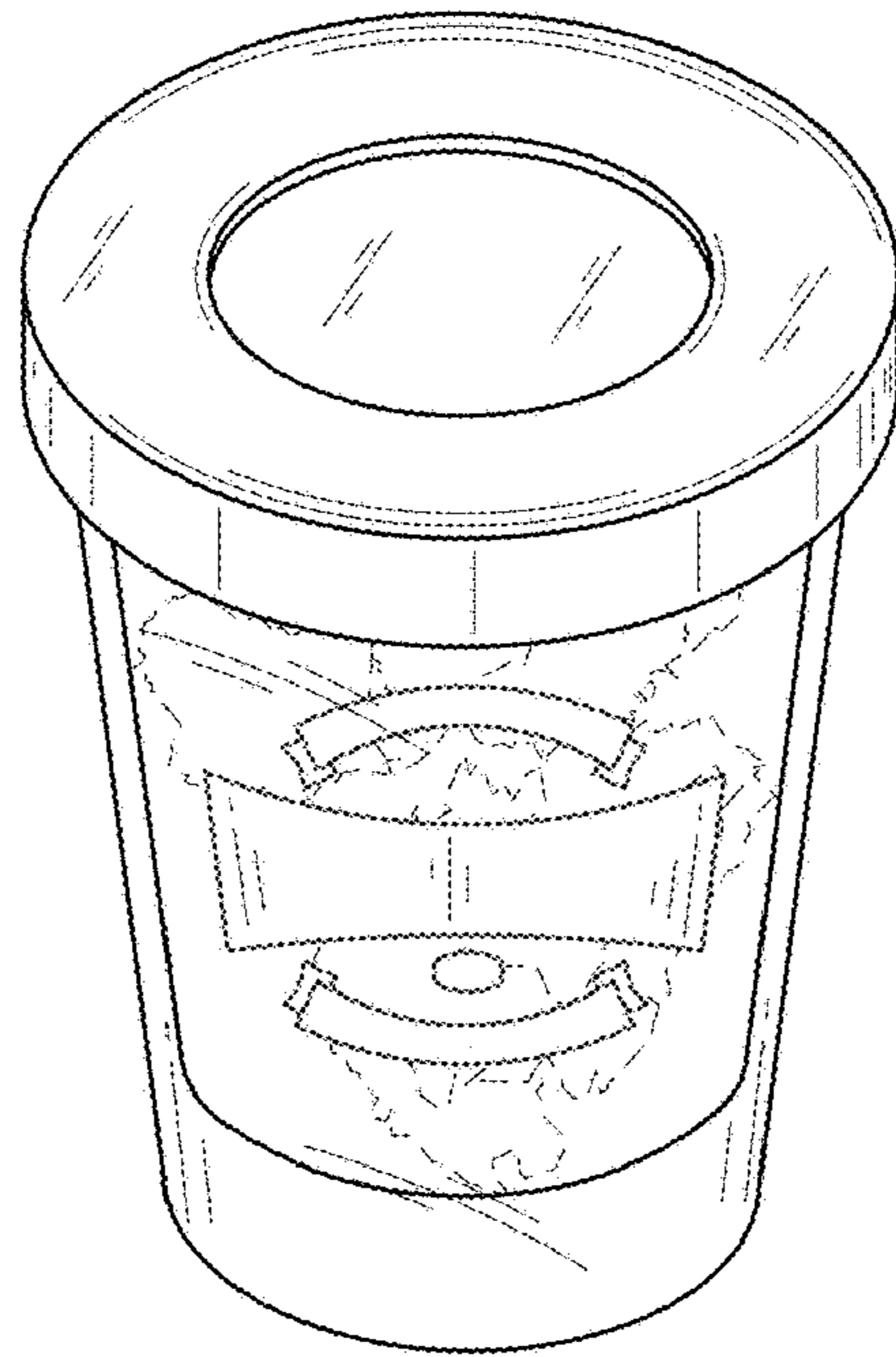


FIG. 5

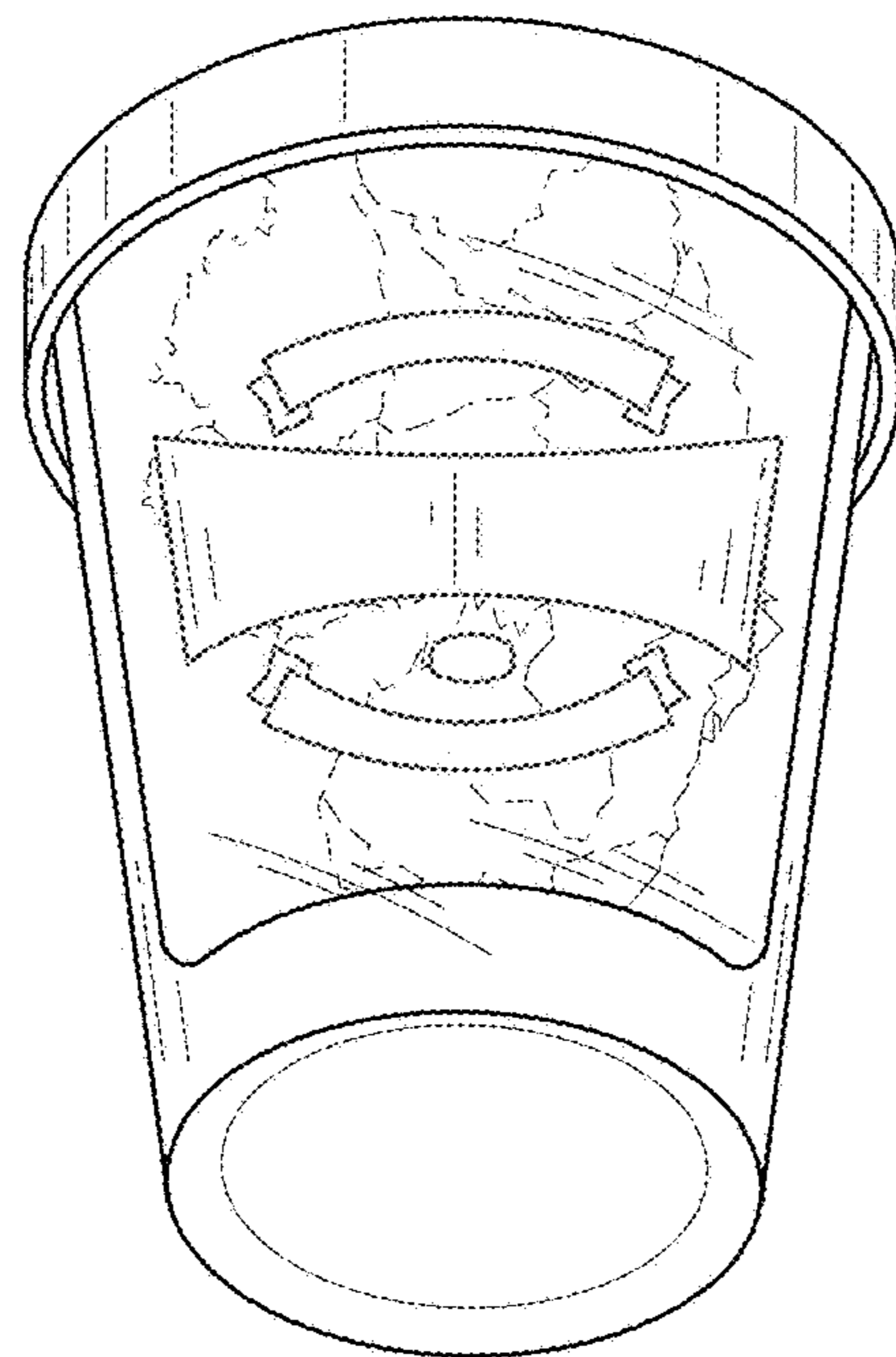


FIG. 6