

US00D833267S

(12) **United States Design Patent**
Zhou

(10) **Patent No.:** **US D833,267 S**

(45) **Date of Patent:** **** Nov. 13, 2018**

(54) **DOOR STENT**

(71) Applicant: **Xianxue Zhou**, Shenzhen (CN)

(72) Inventor: **Xianxue Zhou**, Shenzhen (CN)

(73) Assignee: **Xianxue Zhou**, Shenzhen (CN)

(**) Term: **15 Years**

(21) Appl. No.: **29/630,965**

(22) Filed: **Dec. 26, 2017**

(51) **LOC (11) Cl.** **08-09**

(52) **U.S. Cl.**
USPC **D8/400**

(58) **Field of Classification Search**
USPC D8/354, 355, 349, 400, 499
CPC F16M 13/00; F16M 13/02; Y10T 70/8838;
Y10T 70/5544; H04N 7/186
See application file for complete search history.

(56) **References Cited**

U.S. PATENT DOCUMENTS

- 4,709,897 A * 12/1987 Mooney F16M 13/00
248/300
- D332,908 S * 2/1993 Olsen D8/346
- 8,154,391 B1 * 4/2012 Morris H01H 13/56
200/296
- 8,294,574 B2 * 10/2012 Haywood G08B 13/19658
340/540

- D771,471 S * 11/2016 Ruoff D8/330
- 9,740,084 B1 * 8/2017 Mar G03B 17/561
- 9,823,551 B2 * 11/2017 Adervall F16M 11/041

* cited by examiner

Primary Examiner — Lakiya G Rogers

Assistant Examiner — Harold E Blackwell, II

(74) *Attorney, Agent, or Firm* — ScienBiziP, P.C.

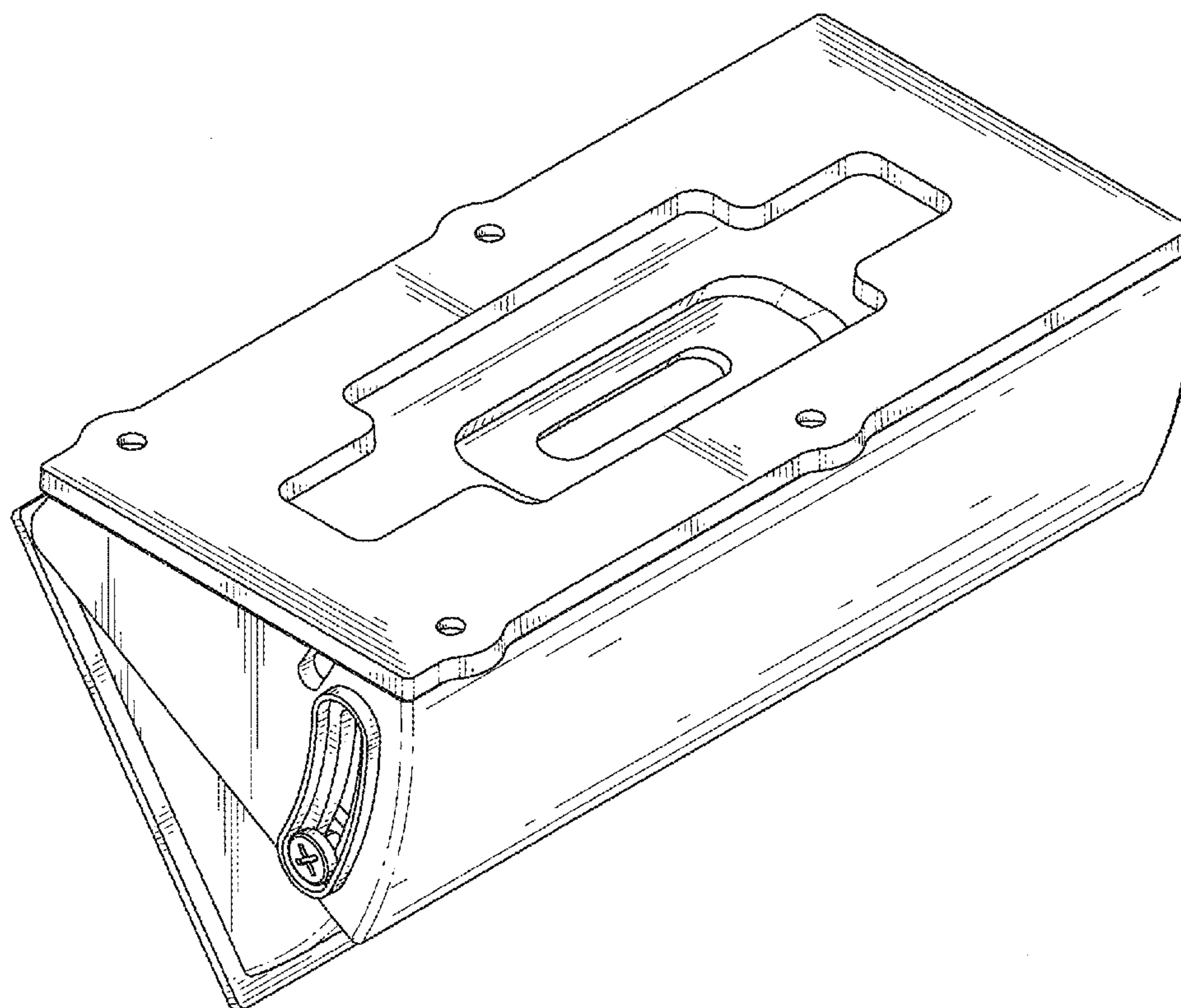
(57) **CLAIM**

The ornamental design for a door stent, as shown and described.

DESCRIPTION

FIG. 1 is a right side, front, top perspective view of the door stent showing my new design;
 FIG. 2 is a left side, rear, bottom perspective view thereof;
 FIG. 3 is a front elevational view thereof;
 FIG. 4 is a rear elevational view thereof;
 FIG. 5 is a left side elevational view thereof;
 FIG. 6 is a right side elevational view thereof;
 FIG. 7 is a top plan view thereof;
 FIG. 8 is a bottom plan view thereof; and,
 FIG. 9 is a right side, top, perspective view thereof showing the door stent in use.

1 Claim, 9 Drawing Sheets



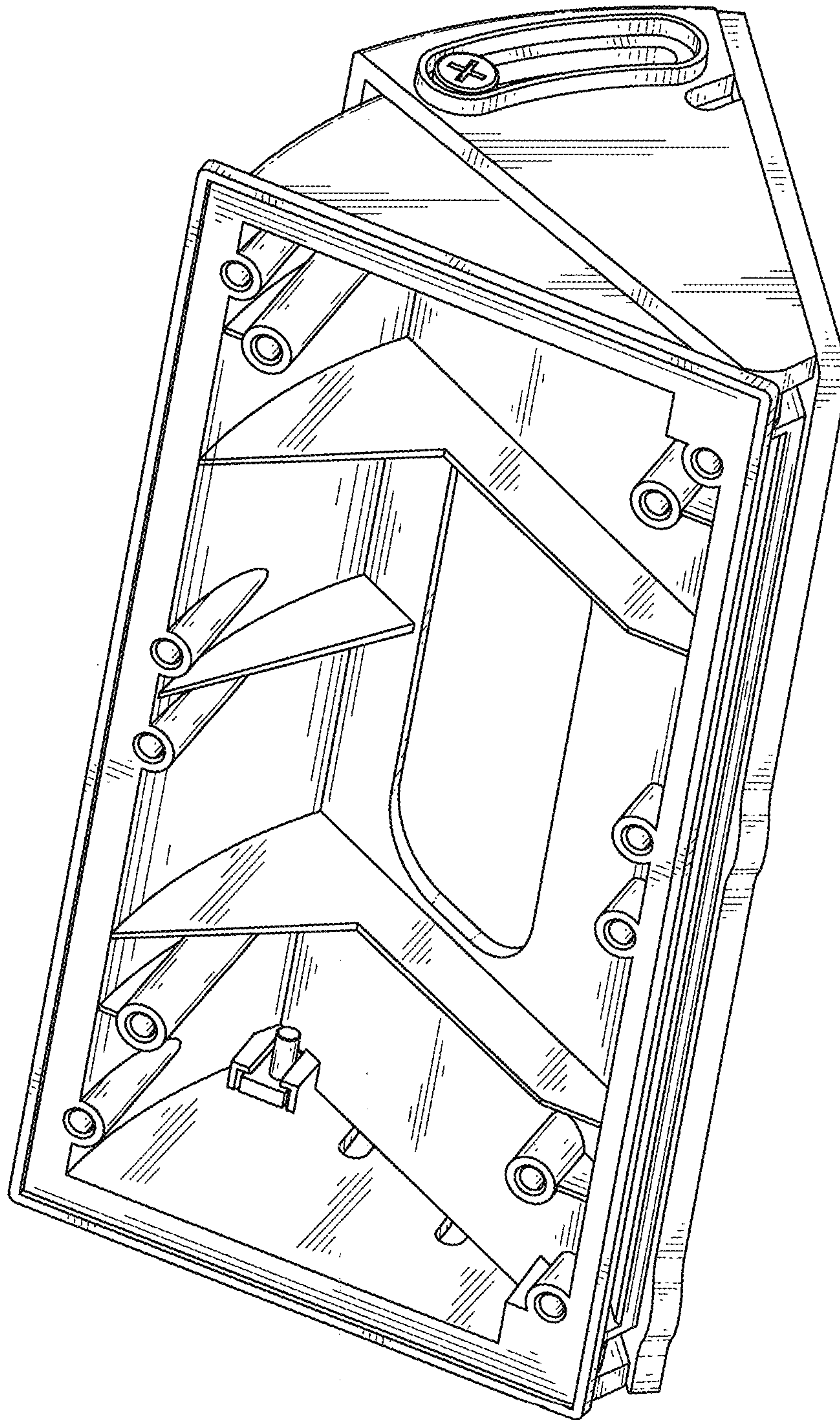


FIG. 1

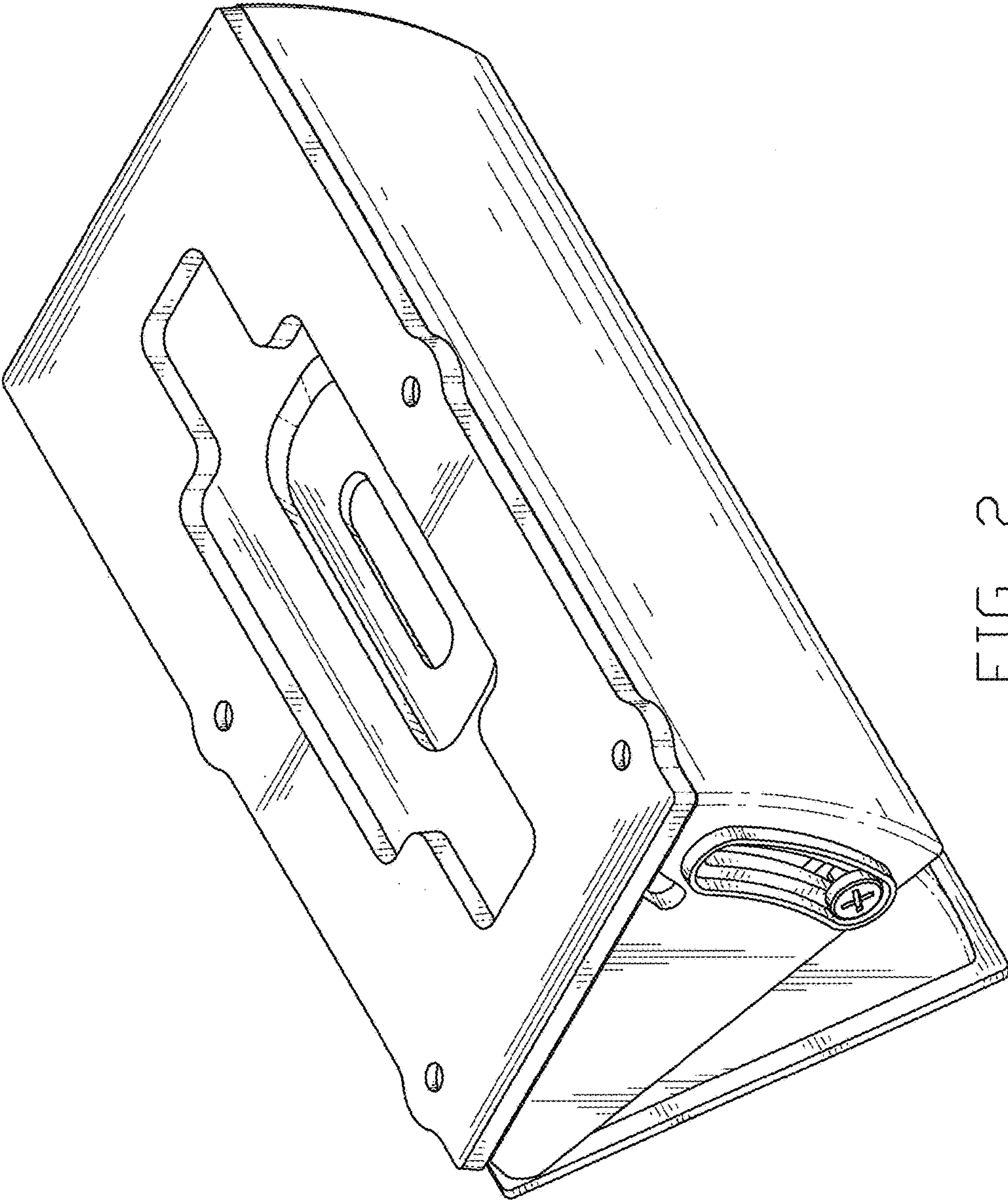


FIG. 2

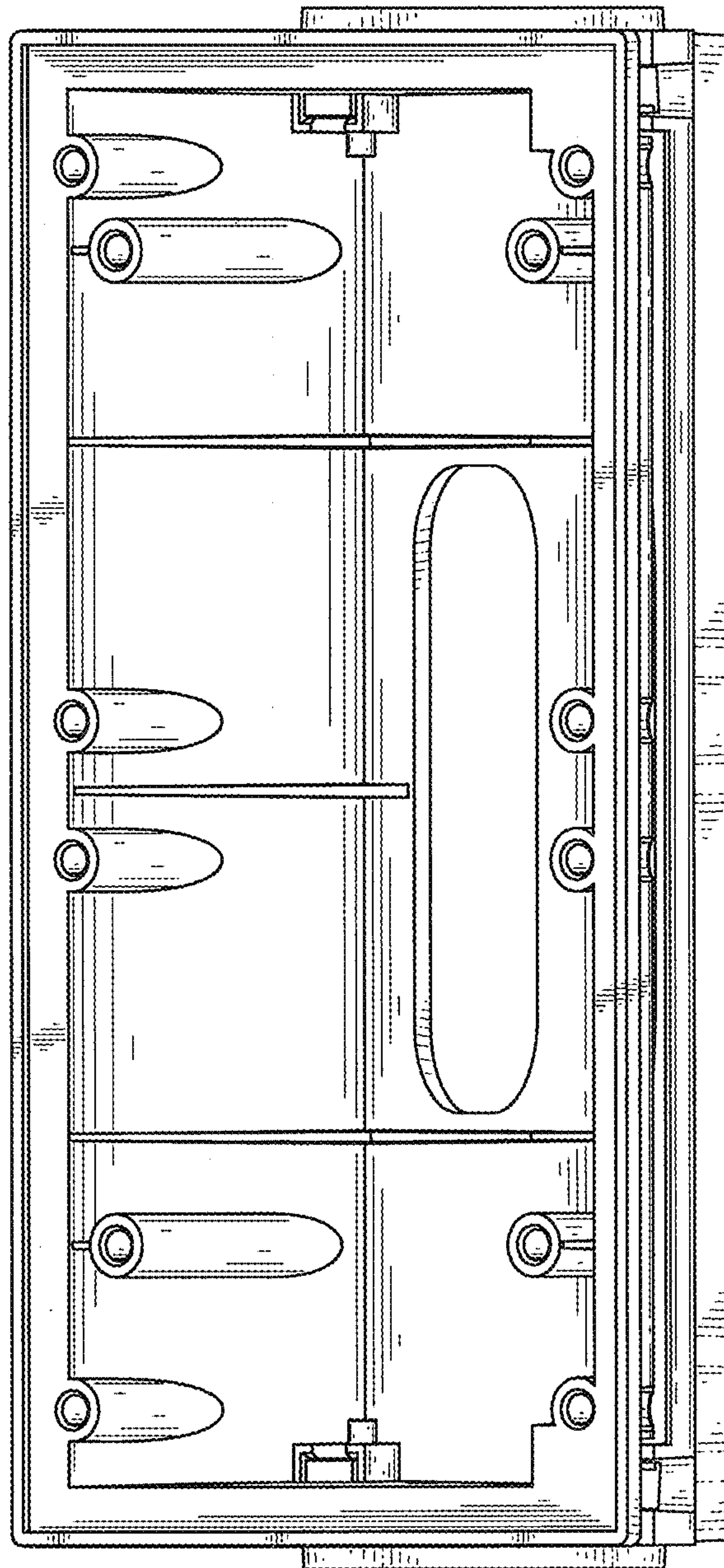


FIG. 3

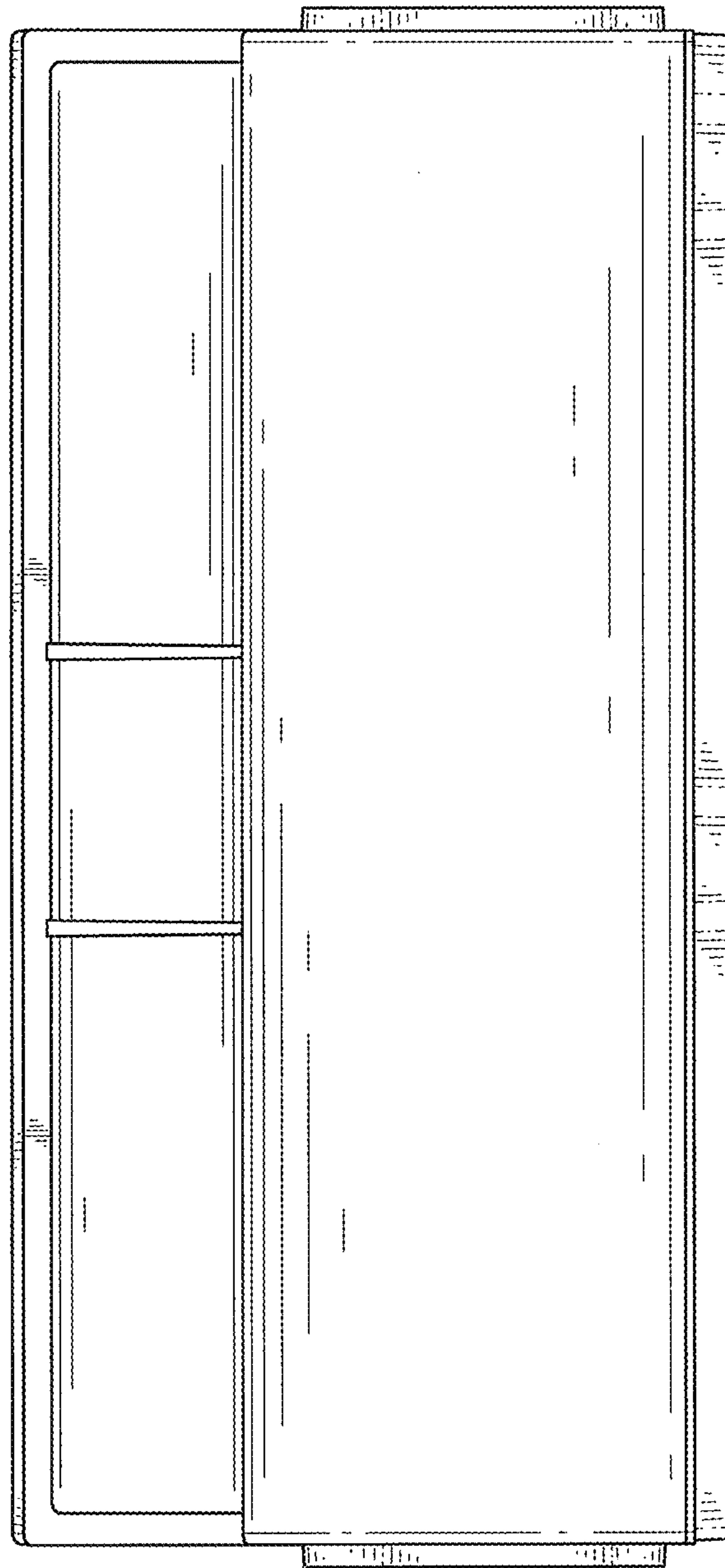


FIG. 4

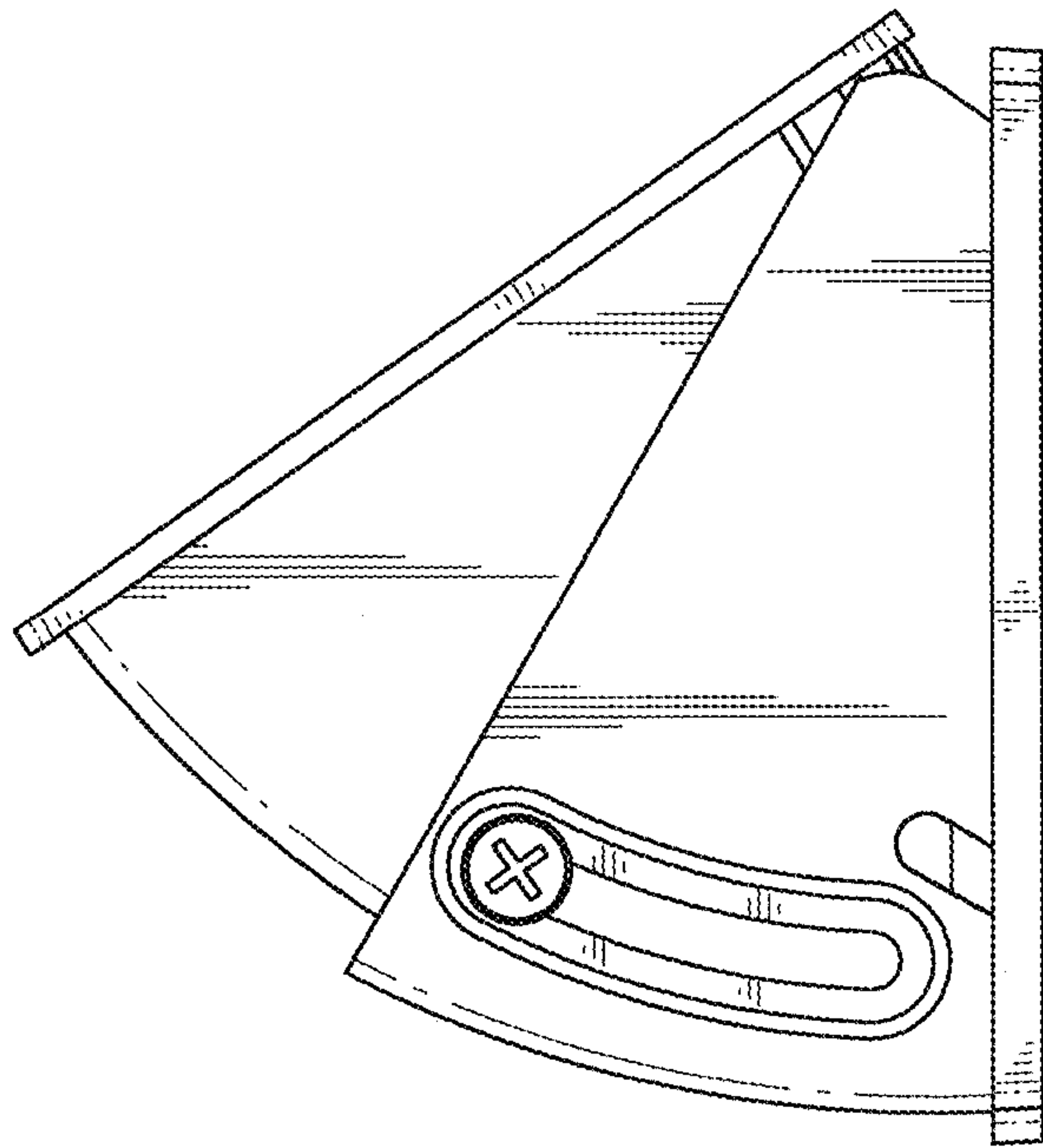


FIG. 5

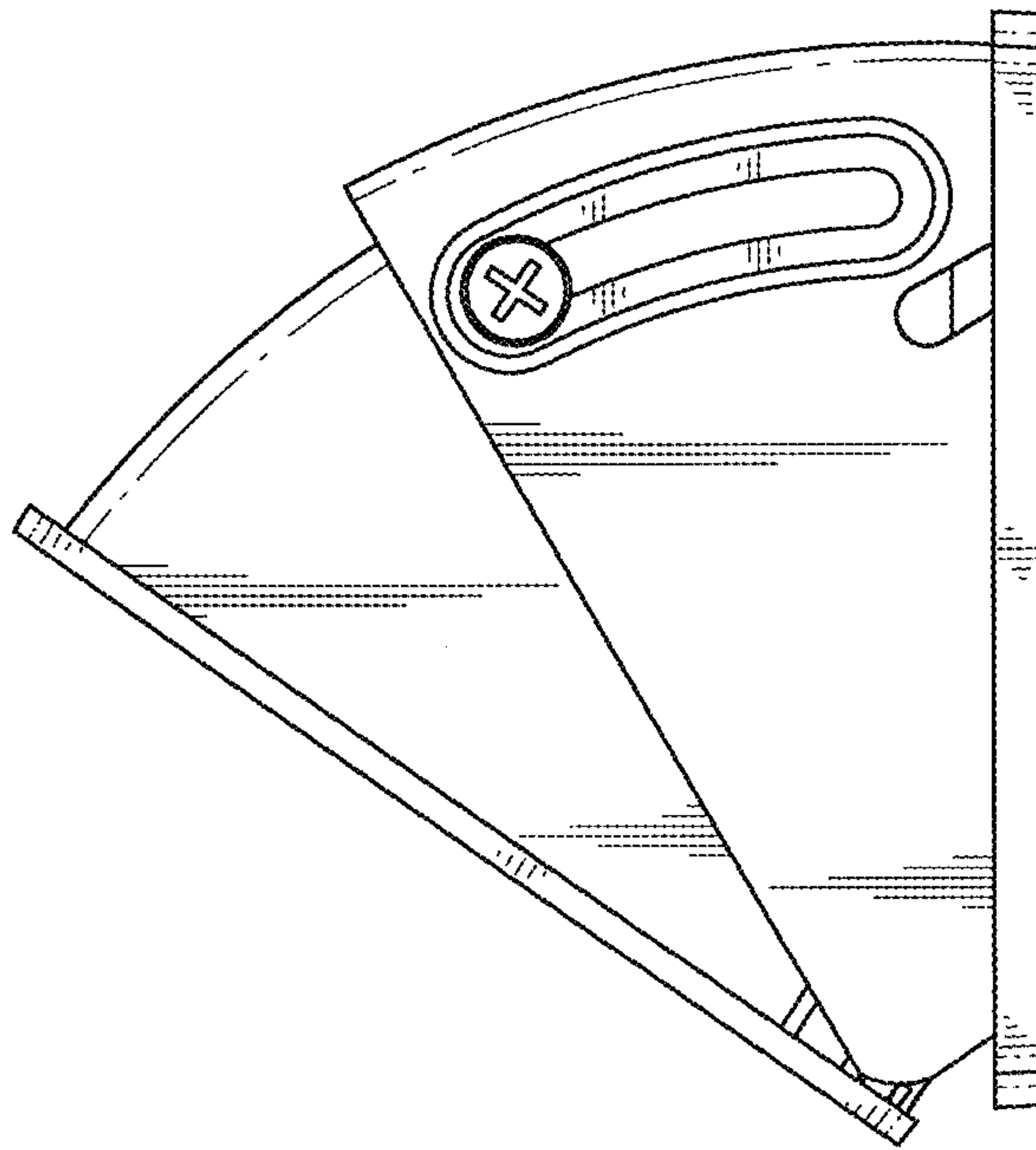


FIG. 6

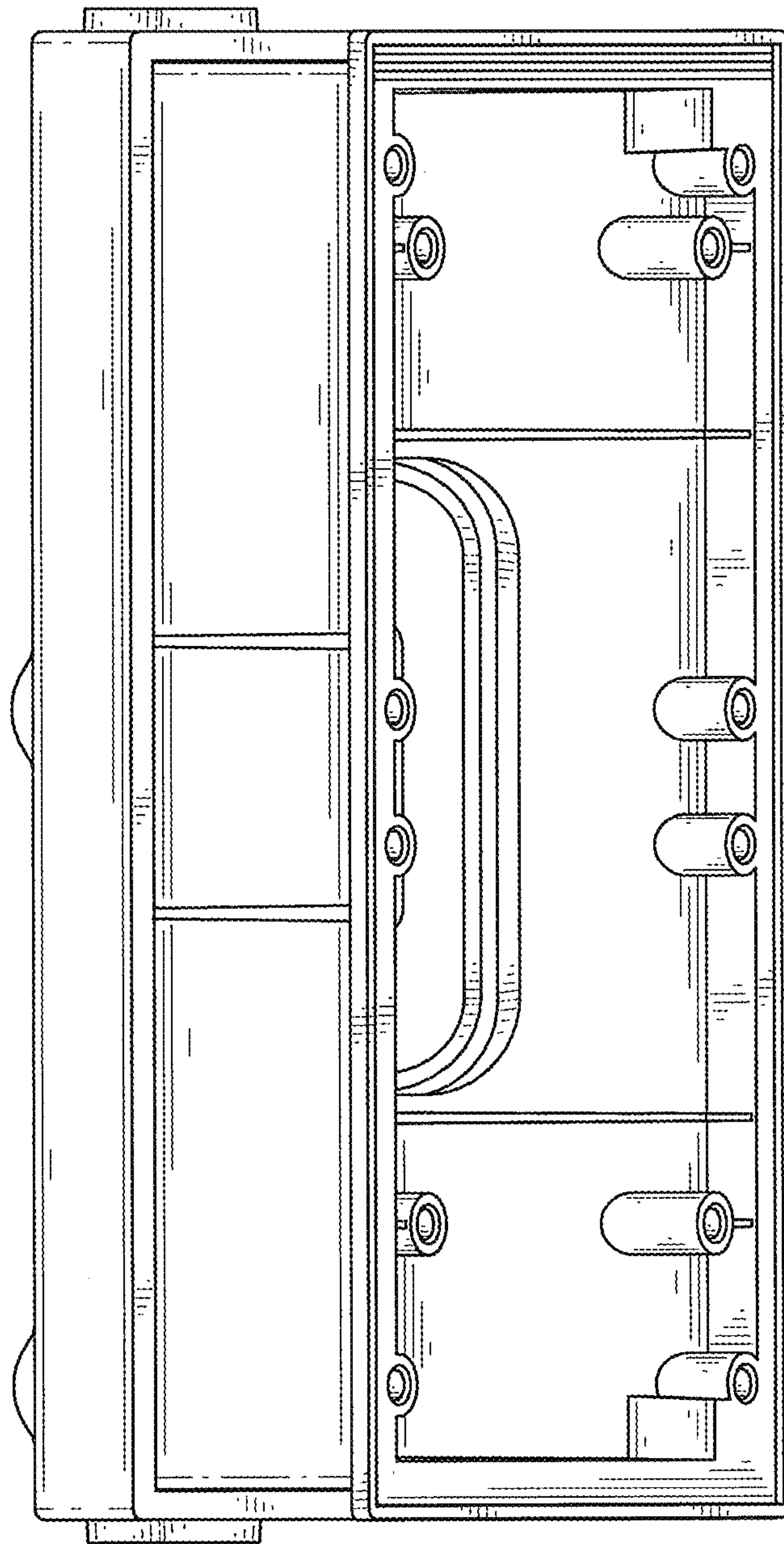


FIG. 7

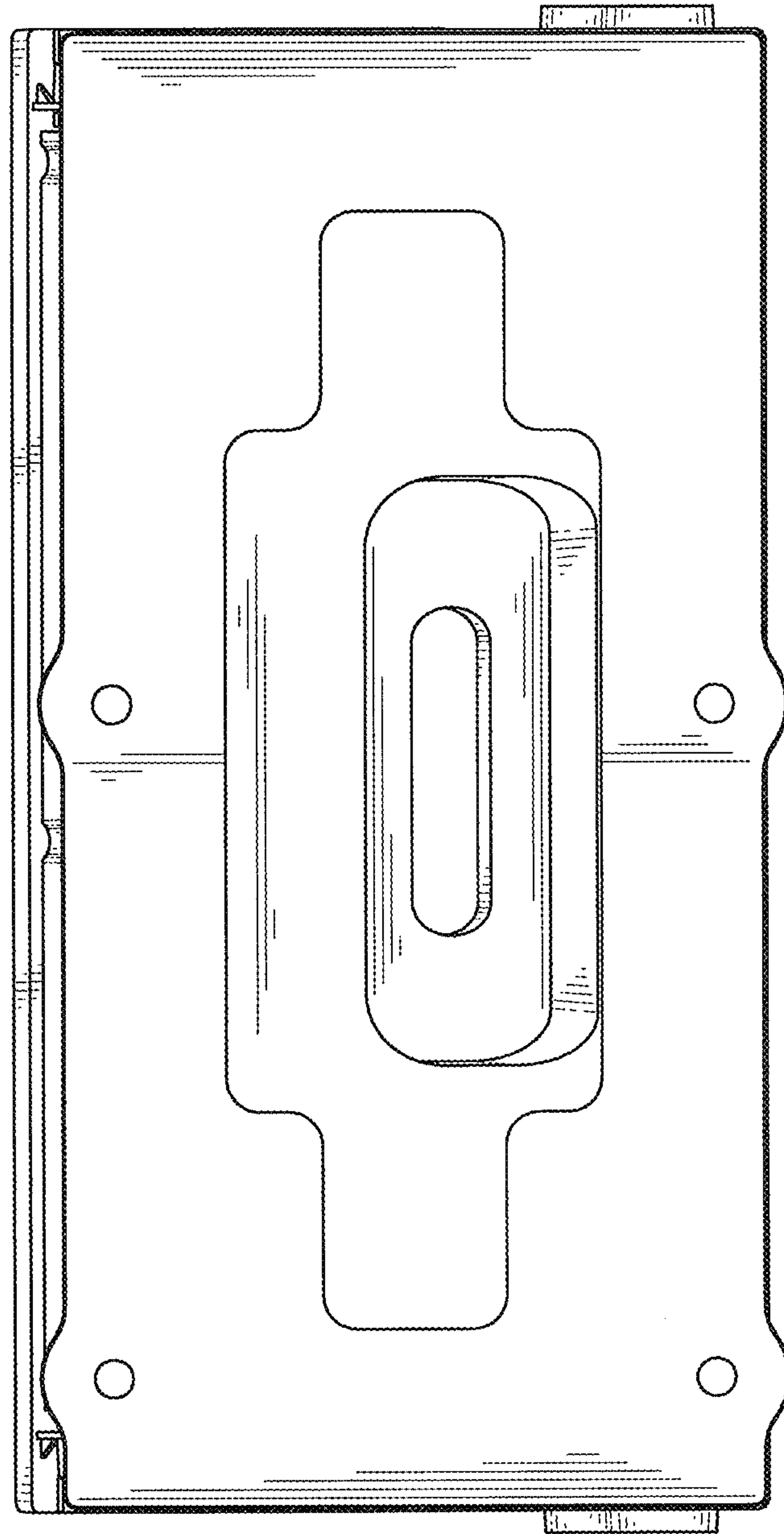


FIG. 8

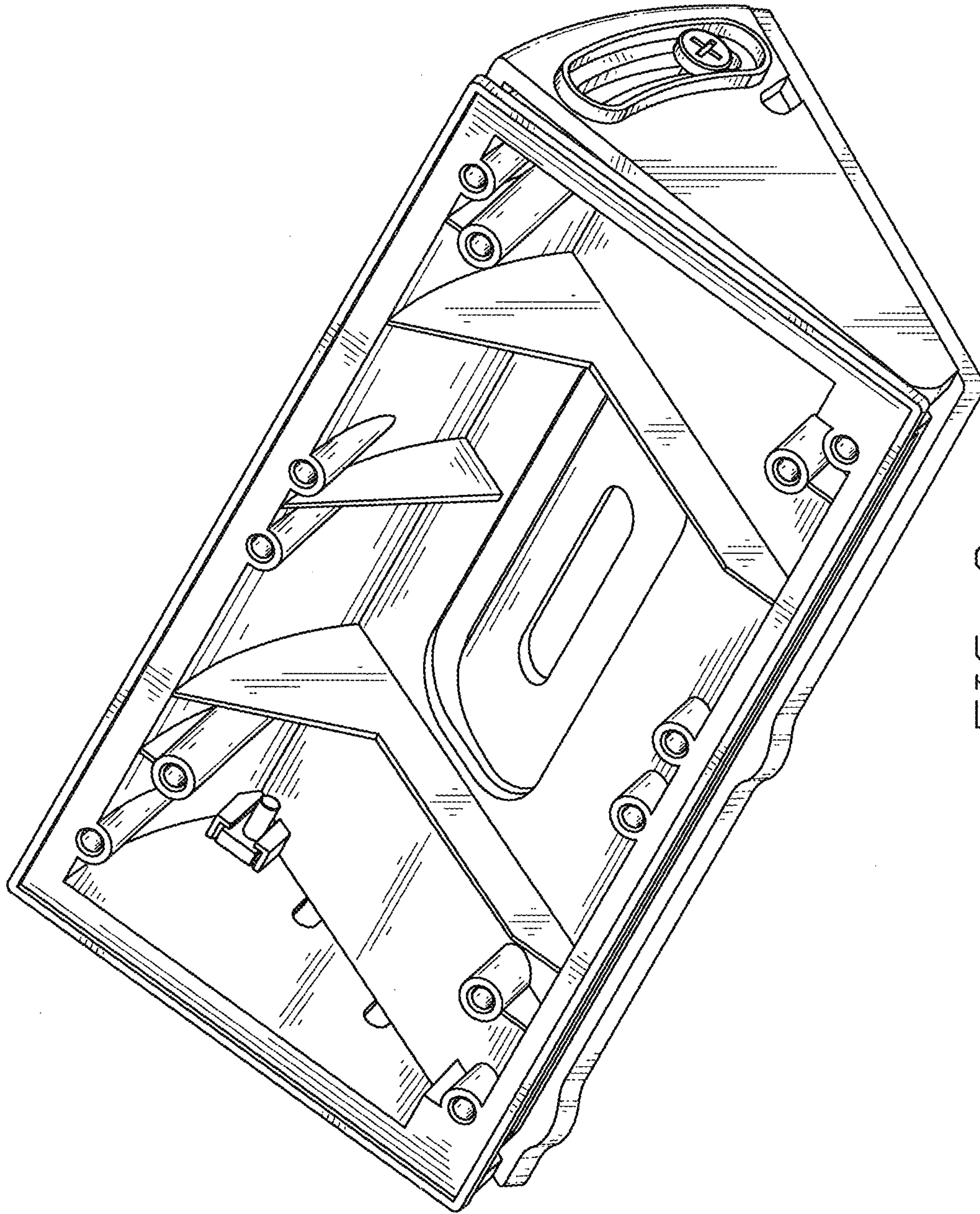


FIG. 9