



US00D833265S

(12) **United States Design Patent** (10) **Patent No.:** **US D833,265 S**
Meola et al. (45) **Date of Patent:** **** Nov. 13, 2018**

(54) **HYGIENIC CLAMP**
(71) Applicants: **Ralph Meola**, Fredon, NJ (US); **Robert J. Aulicino**, Fayetteville, PA (US)
(72) Inventors: **Ralph Meola**, Fredon, NJ (US); **Robert J. Aulicino**, Fayetteville, PA (US)
(73) Assignee: **BIOFLEX SOLUTIONS, LLC**,
Newton, NJ (US)

D735,025 S * 7/2015 Mathien D8/396
D749,835 S * 2/2016 Whitaker D3/10
D766,059 S * 9/2016 Moreau D8/71
9,528,642 B2 * 12/2016 Bancroft F16L 21/06
2010/0132165 A1 * 6/2010 Shor F16L 23/04
24/19
2015/0198272 A1 * 7/2015 Meola B25B 5/103
24/486
2015/0204471 A1 * 7/2015 Sato F16L 23/08
24/284

(**) Term: **15 Years**

(21) Appl. No.: **29/543,244**

(22) Filed: **Oct. 22, 2015**

(51) **LOC (11) Cl.** **08-08**

(52) **U.S. Cl.**
USPC **D8/396**

(58) **Field of Classification Search**
USPC D8/71, 354, 355, 394-396; D23/262,
D23/265; D13/133, 154; 24/16 R,
24/274 R, 279, 276, 19, 273, 282, 284,
24/486; 285/253, 410, 364, 407, 420;
248/74.1-74.4, 62; D3/10
CPC . F16L 3/233; F16L 33/04; F16L 33/06; F16L
33/08; F16L 33/02; F16L 33/12; F16L
33/23; F16L 3/12; F16L 3/13; F16L 3/10
See application file for complete search history.

(56) **References Cited**

U.S. PATENT DOCUMENTS

5,380,052 A * 1/1995 Hendrickson F16L 17/04
24/270
D577,423 S * 9/2008 Dole D23/265
D598,076 S * 8/2009 Dole D23/262
D708,053 S * 7/2014 Marini D24/127
D711,730 S * 8/2014 McKiernan D8/396

OTHER PUBLICATIONS

Encole "Hygienic Clamp, SSH Type, Size 3/4", 304 Stainless Steel, Brass Nuts", www.encole.com. Jan. 5, 2017. shown in p. 1, Part No. 223A1000.*

* cited by examiner

Primary Examiner — Cynthia Ramirez
Assistant Examiner — Michael A Maharajh
(74) *Attorney, Agent, or Firm* — Francis C. Hand;
Carella, Byrne, et al

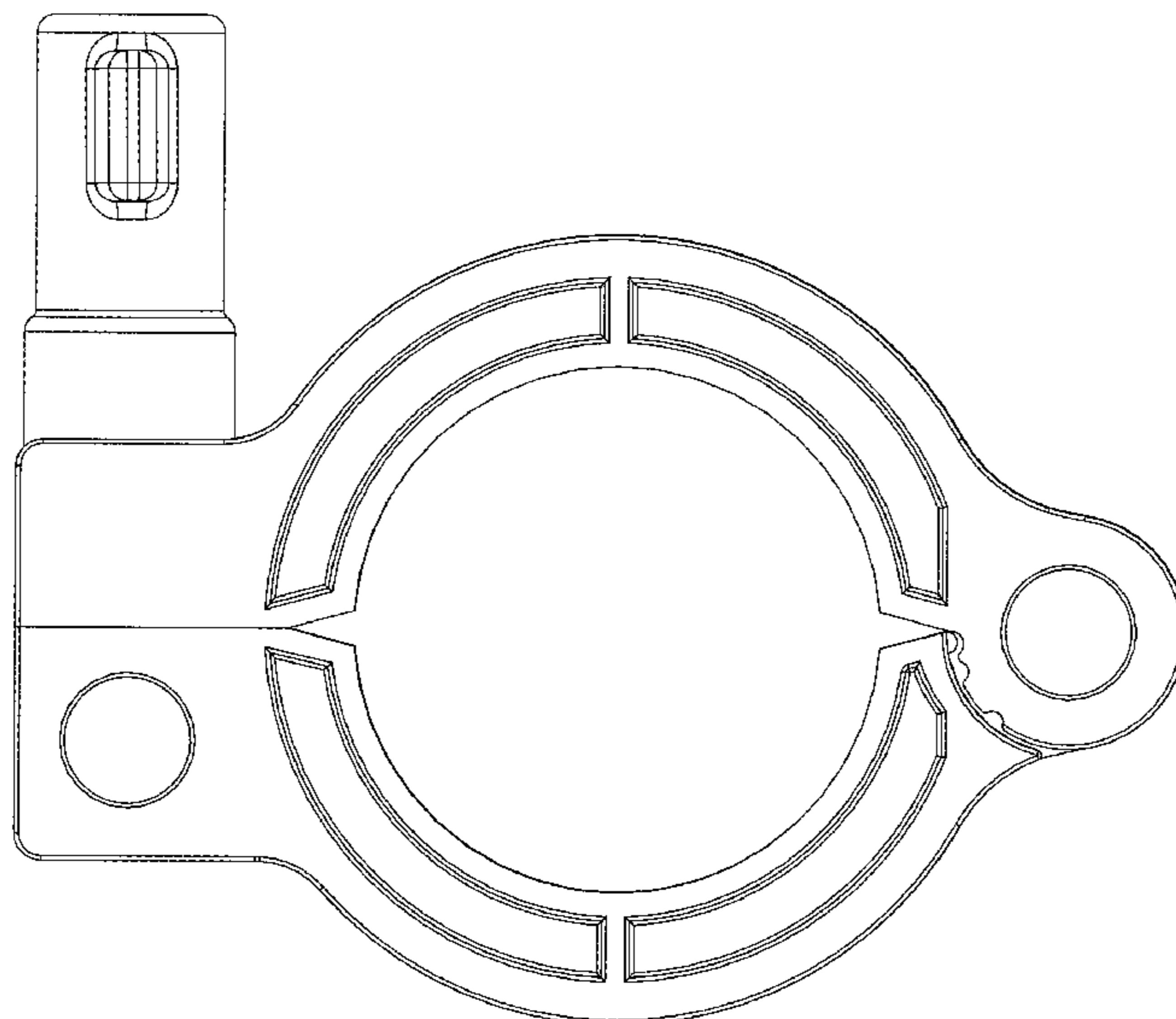
(57) **CLAIM**

The ornamental design of a hygienic clamp, as shown and described.

DESCRIPTION

FIG. 1 is a front elevational view of a hygienic clamp, showing our new design;
FIG. 2 is a back elevational view thereof;
FIG. 3 is a left side elevational view thereof,
FIG. 4 is a right side elevational view thereof,
FIG. 5 is a top plan view thereof;
FIG. 6 is a bottom plan view thereof; and,
FIG. 7 is a front perspective view thereof.

1 Claim, 7 Drawing Sheets



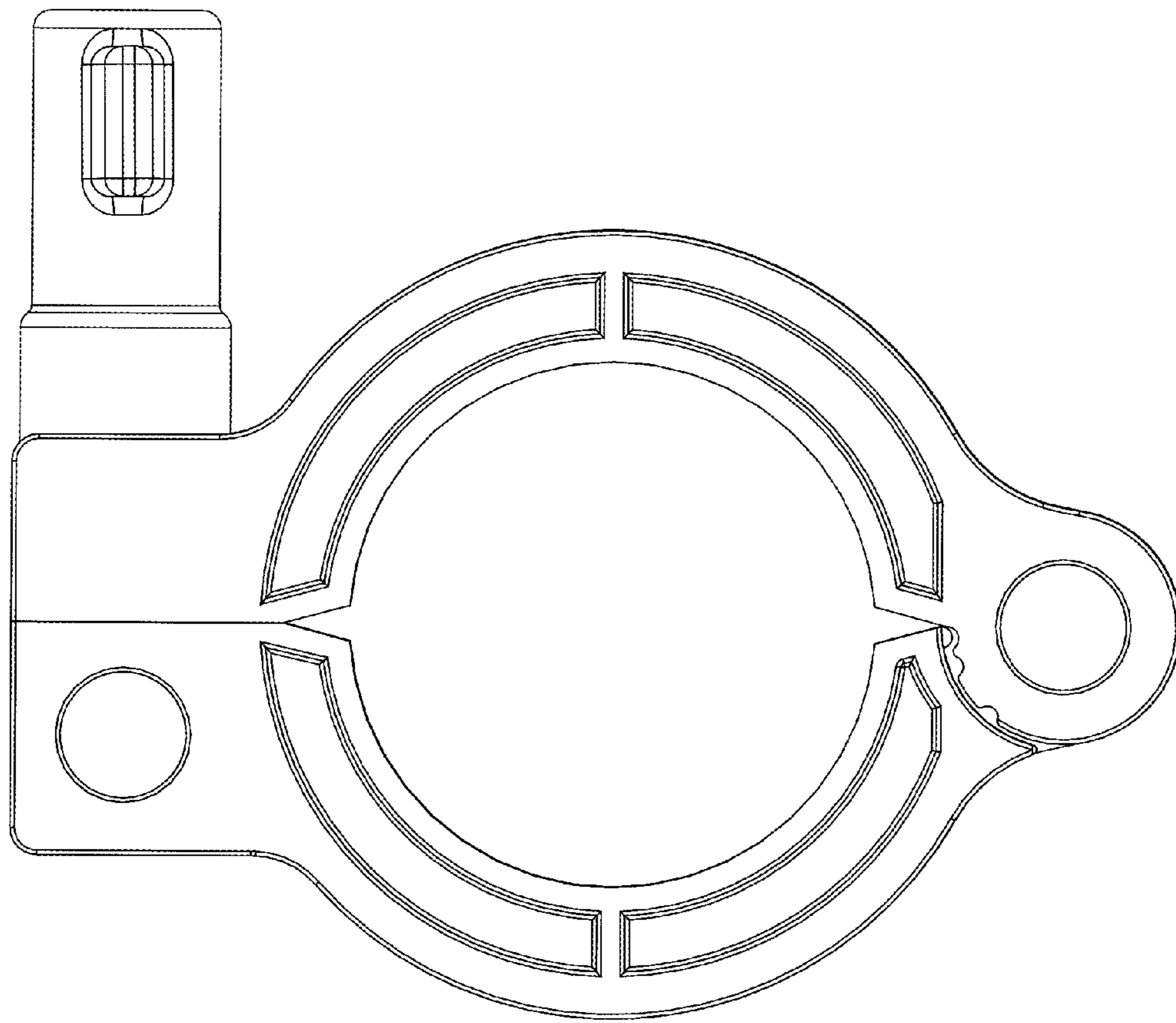


FIG. 1

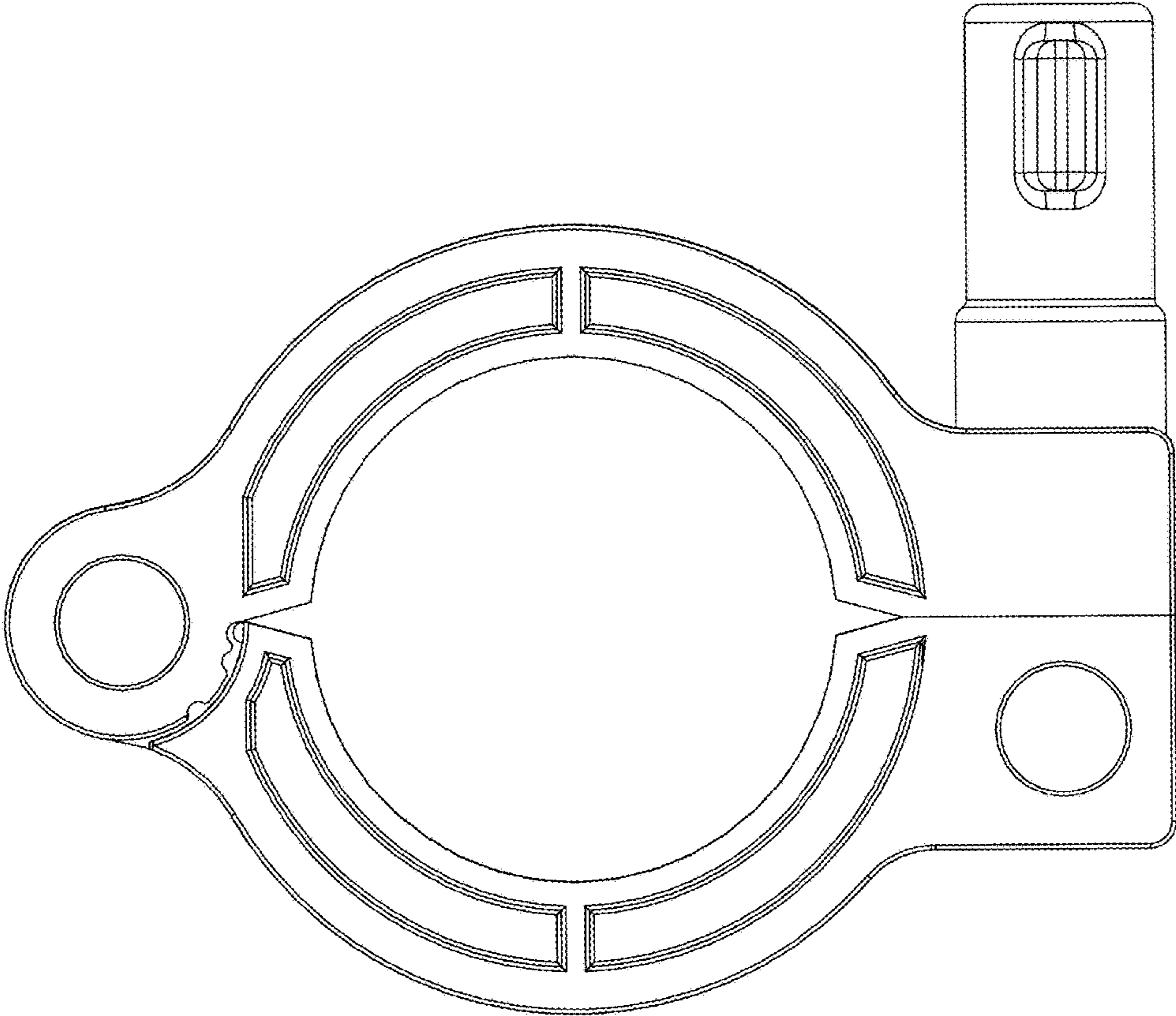


FIG. 2

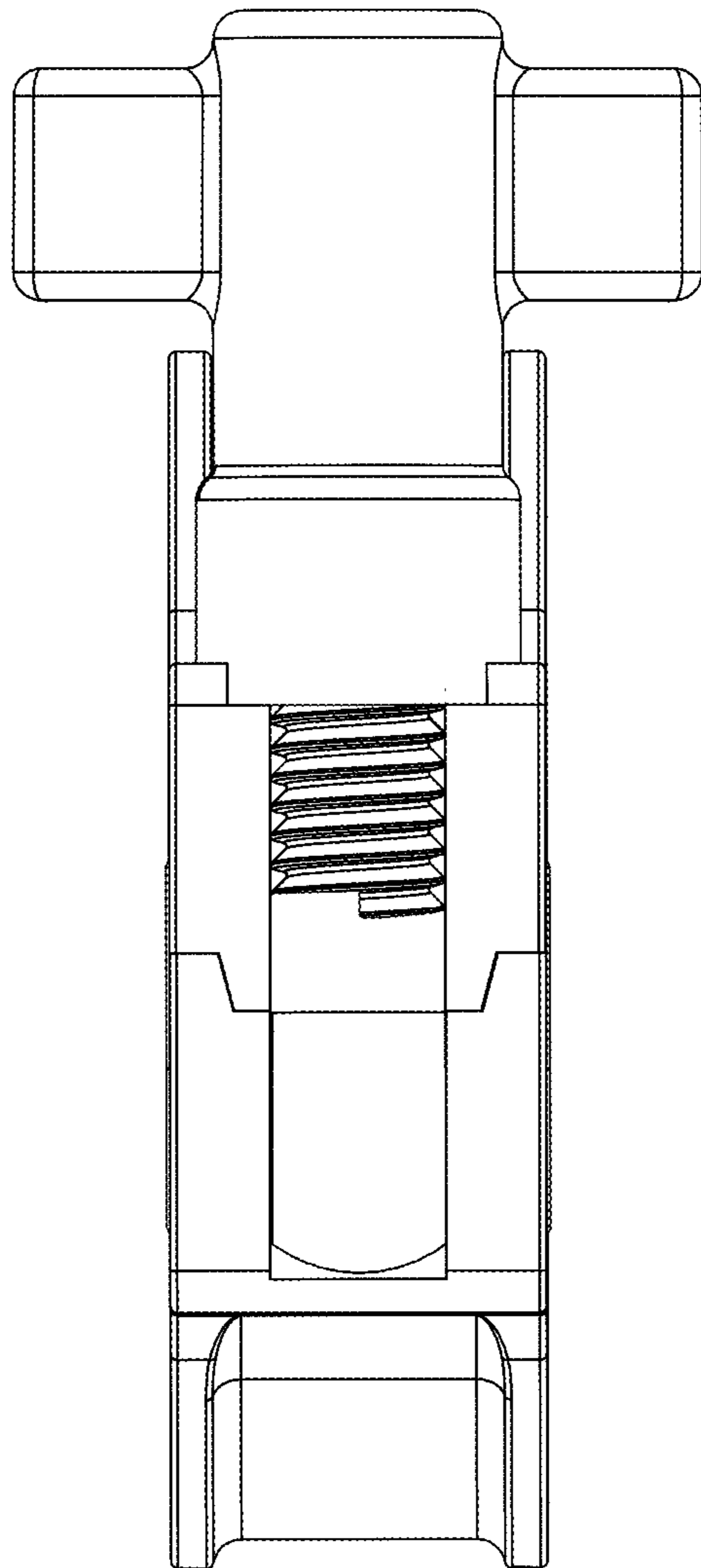


FIG. 3

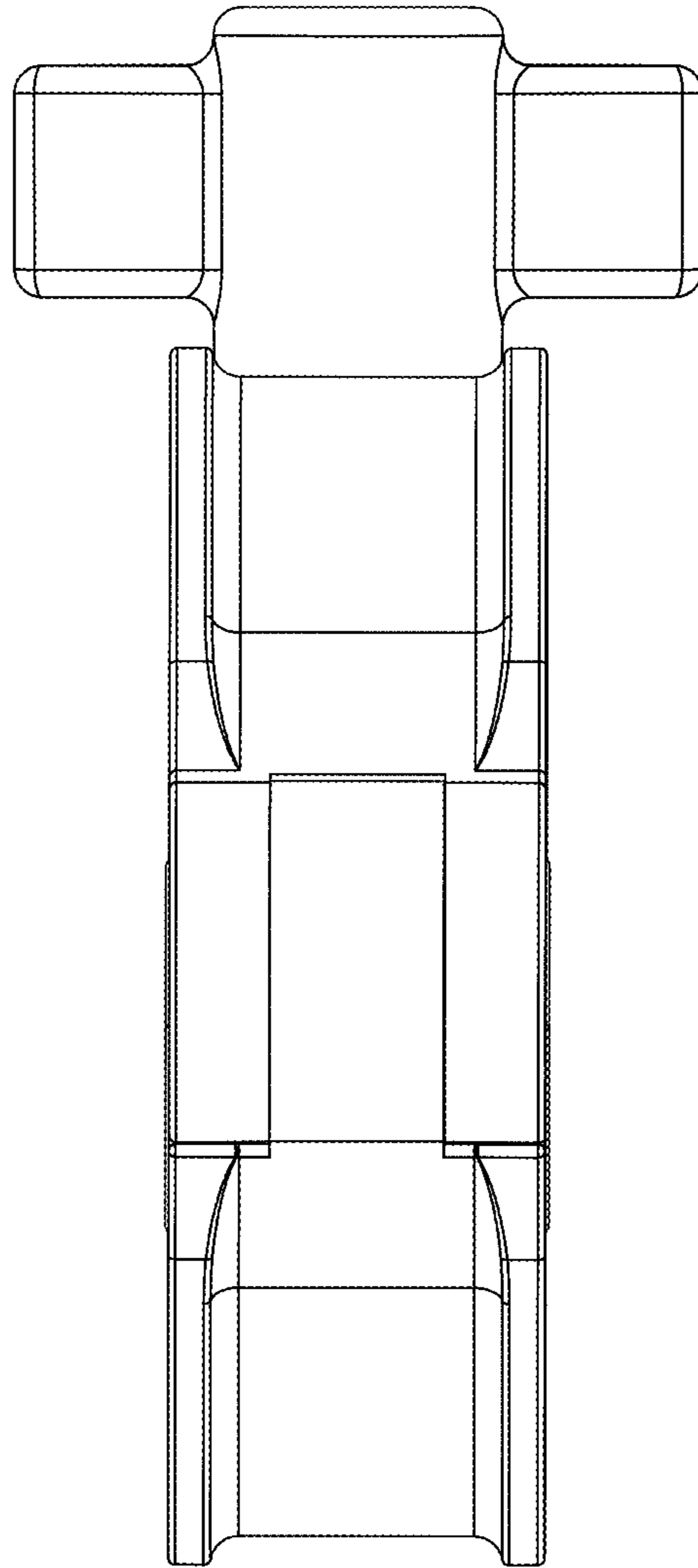


FIG. 4

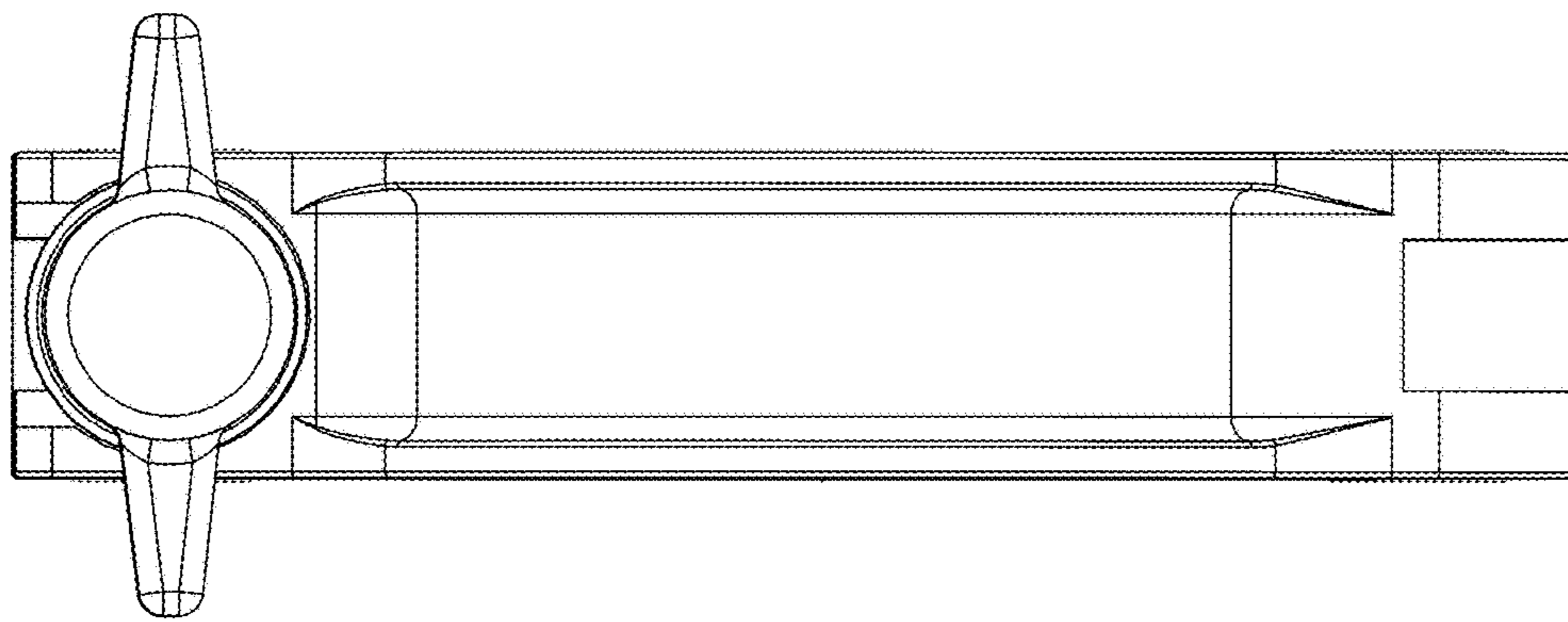


FIG. 5

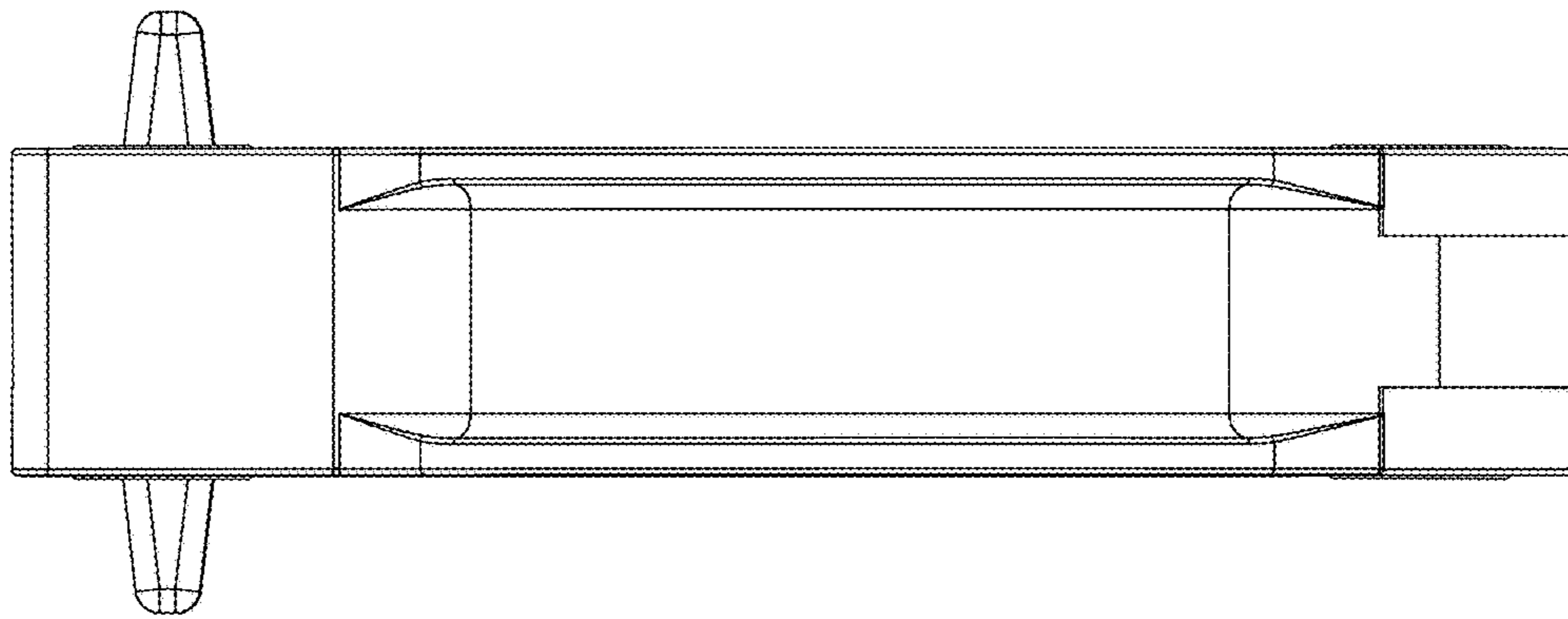


FIG. 6

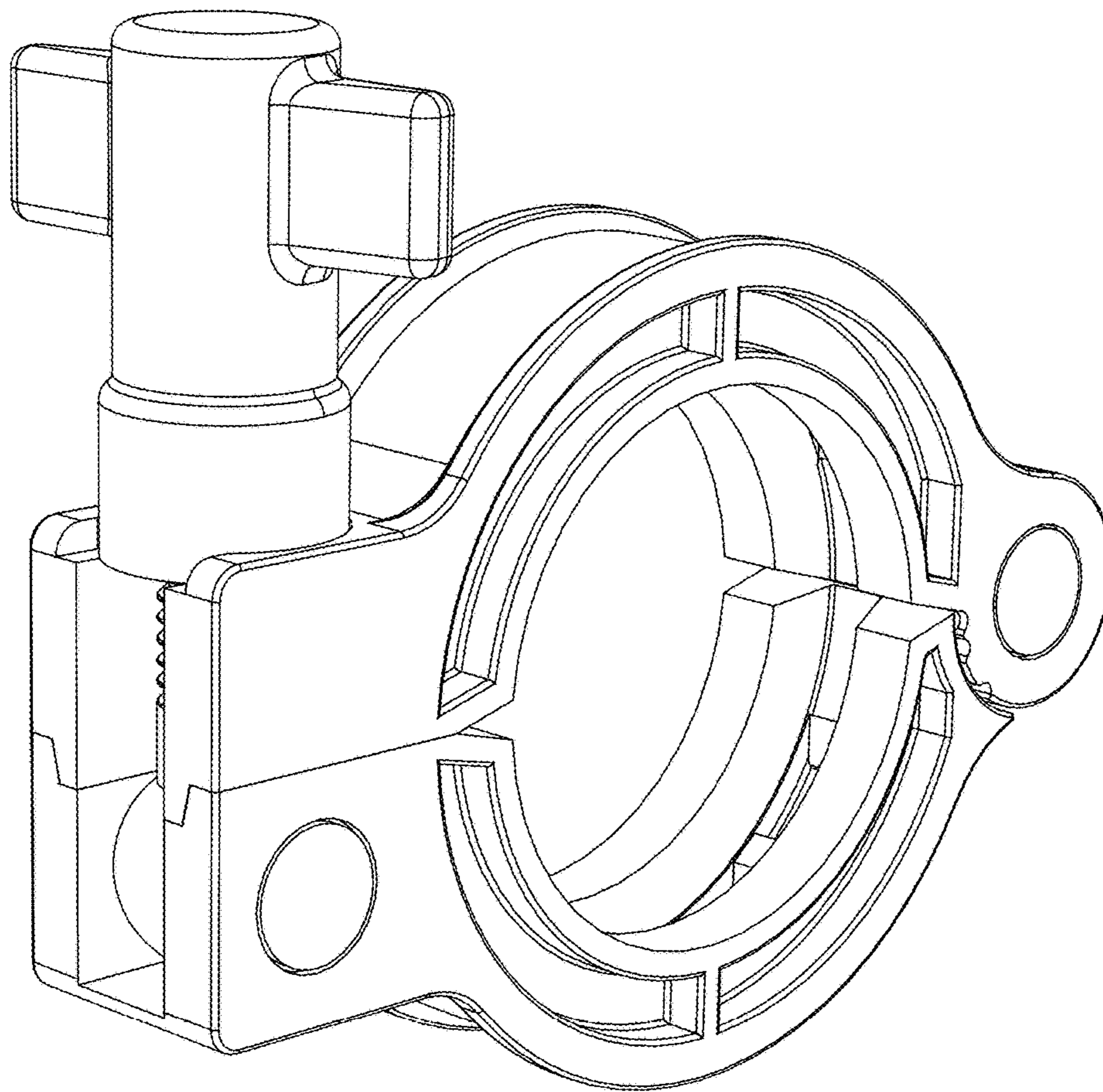


FIG. 7