



US00D833264S

(12) **United States Design Patent**
Wu et al.

(10) **Patent No.:** **US D833,264 S**

(45) **Date of Patent:** **** Nov. 13, 2018**

(54) **ROUND CORD CLIP**

(57) **CLAIM**

(71) Applicant: **Logitech Europe S.A.**, Lausanne (CH)

The ornamental design for a round cord clip, as shown and described.

(72) Inventors: **Libao Wu**, Fremont, CA (US); **Michael Joseph Roy**, Portland, OR (US); **Jeremy David Baker**, Homestead, FL (US); **Olivier Gregoire**, Oakland, CA (US)

DESCRIPTION

(73) Assignee: **LOGITECH EUROPE, S.A.**,
Lausanne (CH)

FIG. 1 is a top isometric view of a round cord clip according to an embodiment disclosed herein.

(**) Term: **15 Years**

FIG. 2 is a bottom isometric view of a round cord clip according to an embodiment disclosed herein.

(21) Appl. No.: **29/616,704**

FIG. 3 is a top plan view of a round cord clip according to an embodiment disclosed herein.

(22) Filed: **Sep. 7, 2017**

FIG. 4 is a bottom plan view of a round cord clip according to an embodiment disclosed herein.

(51) **LOC (11) Cl.** **08-08**

FIG. 5 is a front elevation view of a round cord clip according to an embodiment disclosed herein.

(52) **U.S. Cl.**
USPC **D8/383**

FIG. 6 is a side elevation view of a round cord clip according to an embodiment disclosed herein.

(58) **Field of Classification Search**
USPC D8/71, 349, 354, 356, 382, 383, 394,
D8/499; D11/218

FIG. 7 is a front cross-sectional view of a round cord clip, taken along line 7-7 of FIG. 3, according to an embodiment disclosed herein.

CPC F16G 11/00; F16G 11/02; F16G 11/103;
F16G 11/046; F16G 11/048; F16G 11/105;
Y10T 24/39; Y10T 24/3971; Y10T 24/3713; Y10T 24/44222

See application file for complete search history.

FIG. 8 is a side cross-sectional view of a round cord clip, taken along line 8-8 of FIG. 3, according to an embodiment disclosed herein.

FIG. 9 is a side cross-sectional view of a round cord clip, taken along line 9-9 of FIG. 3, according to an embodiment disclosed herein.

(56) **References Cited**

U.S. PATENT DOCUMENTS

3,008,208 A * 11/1961 Stephan F16G 11/02
16/108
3,184,817 A * 5/1965 Archer F16G 11/02
174/94 R

FIG. 10 is a top cross-sectional view of a round cord clip, taken along line 10-10 of FIG. 5, according to an embodiment disclosed herein.

FIG. 11 is a bottom cross-sectional view of a round cord clip, taken along line 11-11 of FIG. 5, according to an embodiment disclosed herein; and,

FIG. 12 is an environmental view of a round cord clip, shown in FIG. 7, according to an embodiment disclosed herein.

(Continued)

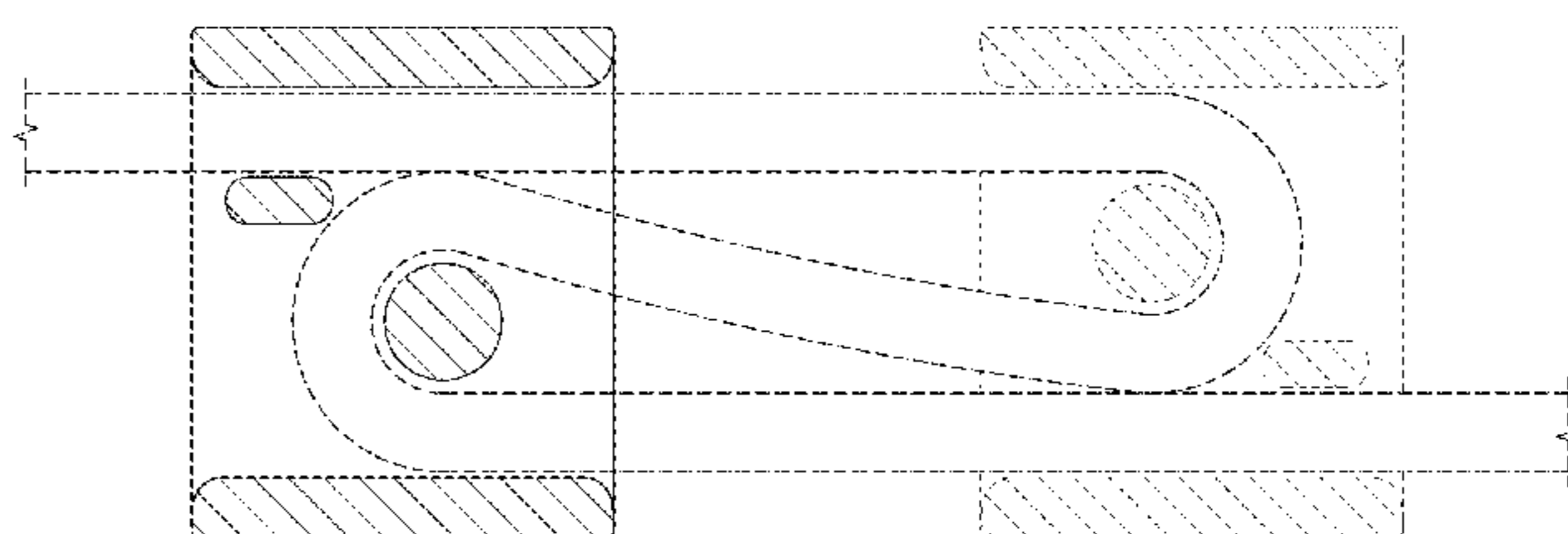
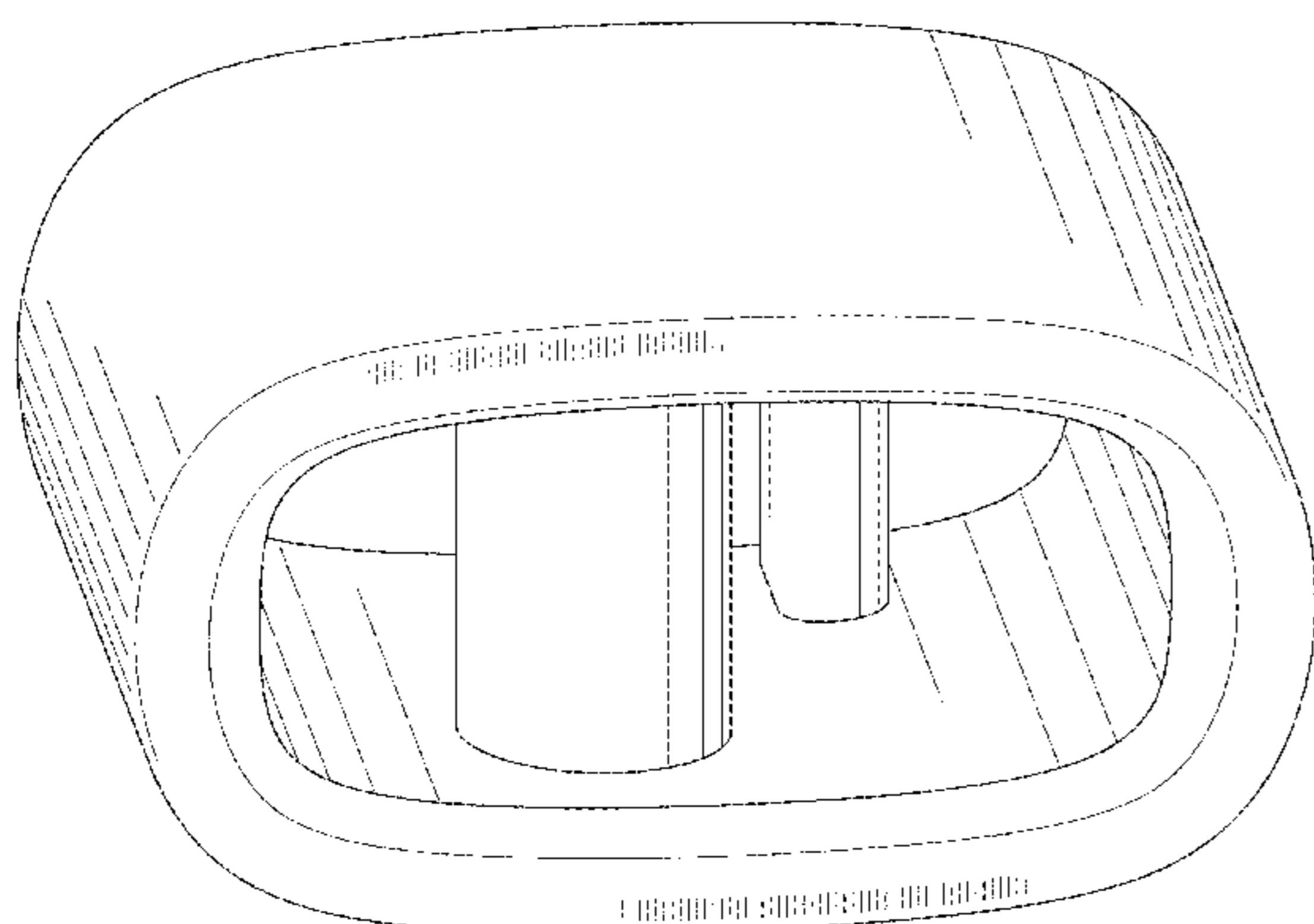
The broken lines are directed to the unclaimed cord and are presented to illustrate an environmental structure in which the round cord clip can be positioned. The broken lines form no part of the design to be patented.

Primary Examiner — Sandra S Snapp

Assistant Examiner — Ieisha N Price

(74) *Attorney, Agent, or Firm* — Patterson & Sheridan, LLP.

1 Claim, 12 Drawing Sheets



(56)

References Cited

U.S. PATENT DOCUMENTS

3,204,310	A *	9/1965	Rohland	F16G 11/02 174/94 R
3,242,545	A *	3/1966	Sahm	D07B 9/00 403/300
3,473,199	A *	10/1969	Rohland	F16G 11/02 24/129 W
3,490,106	A *	1/1970	Dohmeier	F16G 11/02 24/129 W
D452,185	S *	12/2001	Yoshiguchi	D11/218
D584,132	S *	1/2009	Judd	D8/356
7,882,600	B2 *	2/2011	Judd	B65H 75/36 24/115 R
D633,377	S *	3/2011	Chan	D8/383
D648,685	S *	11/2011	Symons	D13/155
D649,907	S *	12/2011	Kataguchi	D11/218
D683,263	S *	5/2013	Paik	D11/218
D686,059	S *	7/2013	Paik	D8/356
D731,296	S *	6/2015	Nelson	D8/356
D731,921	S *	6/2015	Kung	D11/218
D738,255	S *	9/2015	Hortnagl	D11/218
D759,467	S *	6/2016	Franta	D8/356
D763,671	S *	8/2016	Sizelove	D8/394
D775,937	S *	1/2017	Davis	D8/356
D790,779	S *	6/2017	Javornick	D11/231
D804,937	S *	12/2017	Paik	D8/356
D807,161	S *	1/2018	Whitaker	D8/394
2009/0282653	A1 *	11/2009	Yang	A43C 7/00 24/129 R

* cited by examiner

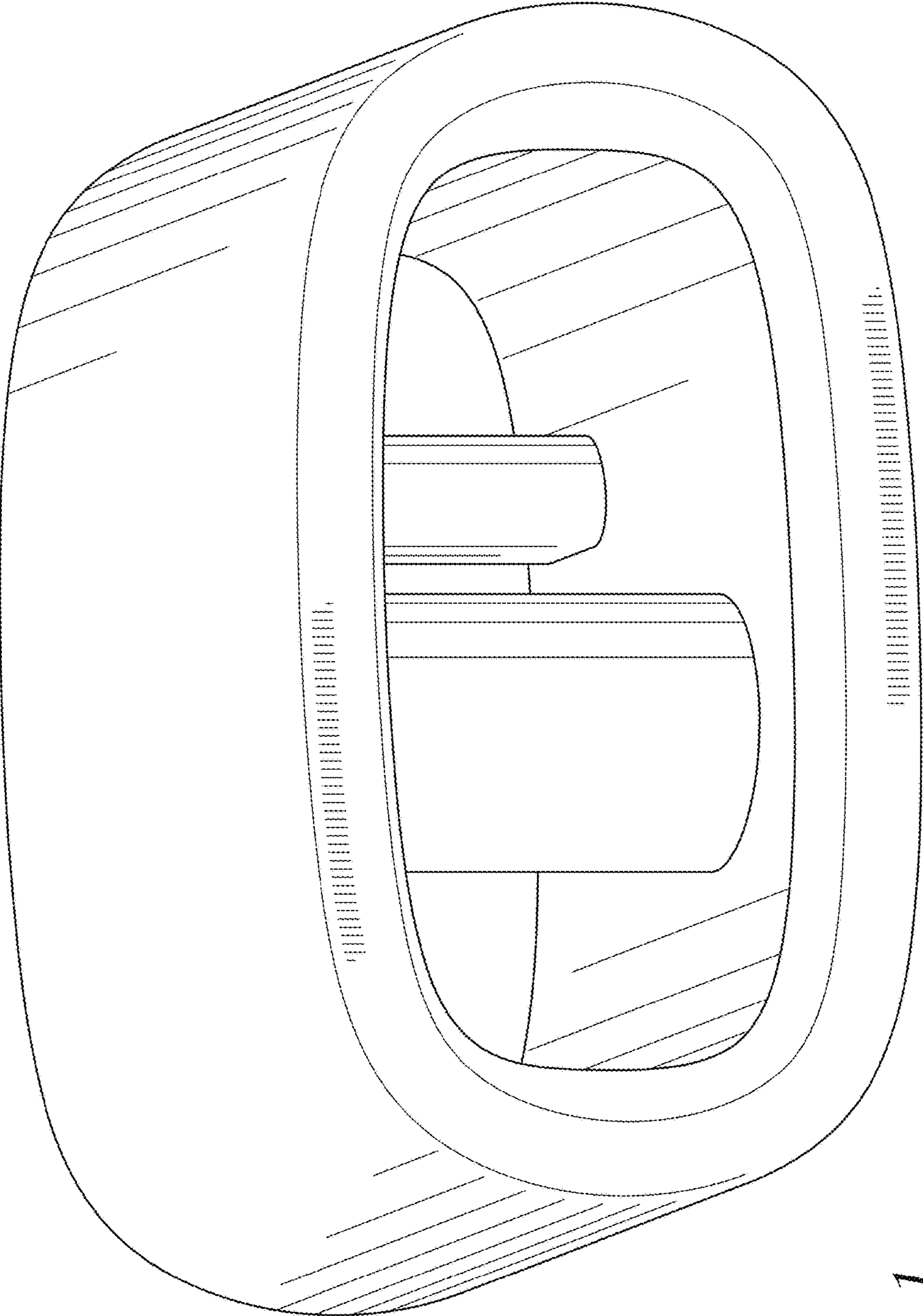


Fig. 1

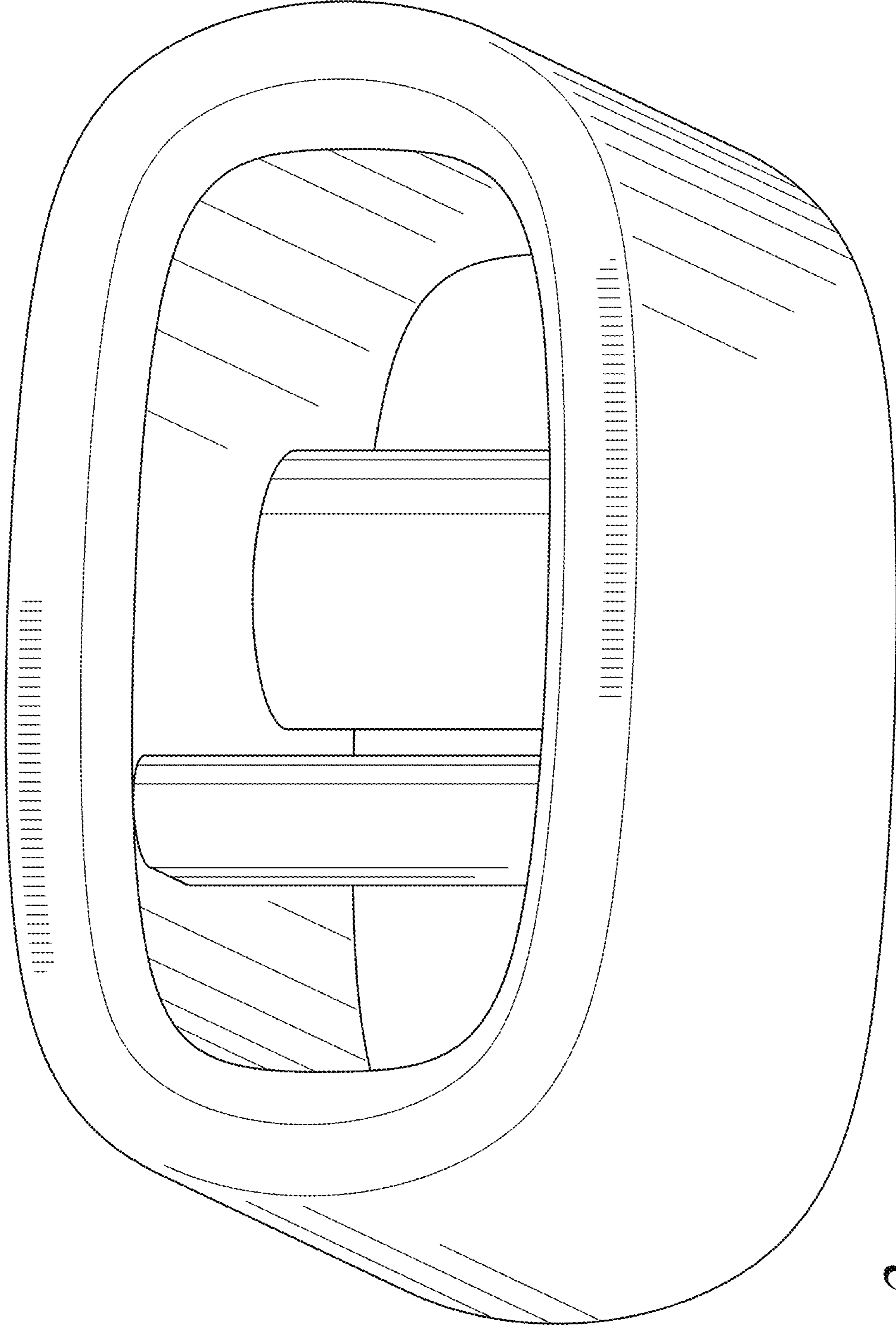


Fig. 2

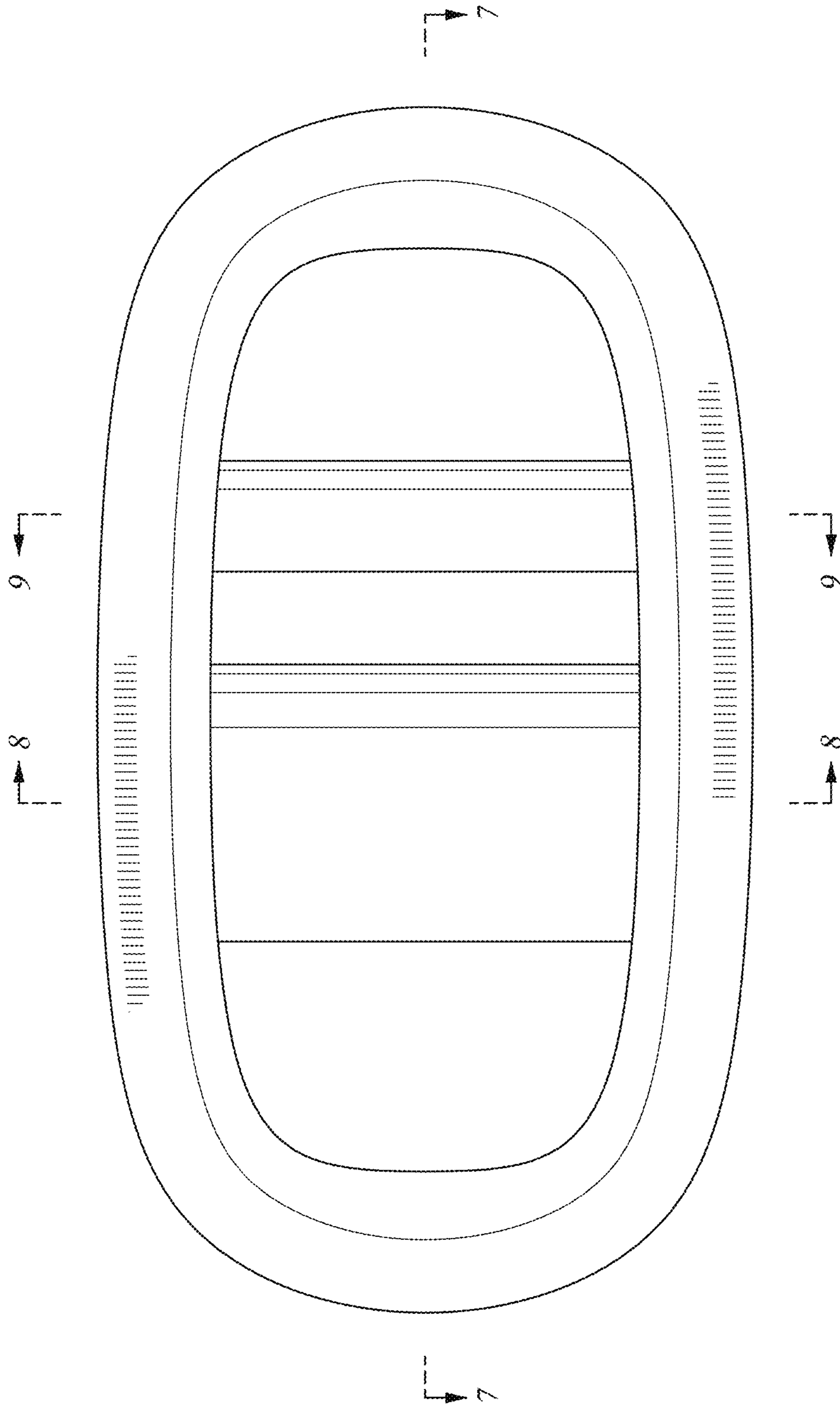


Fig. 3

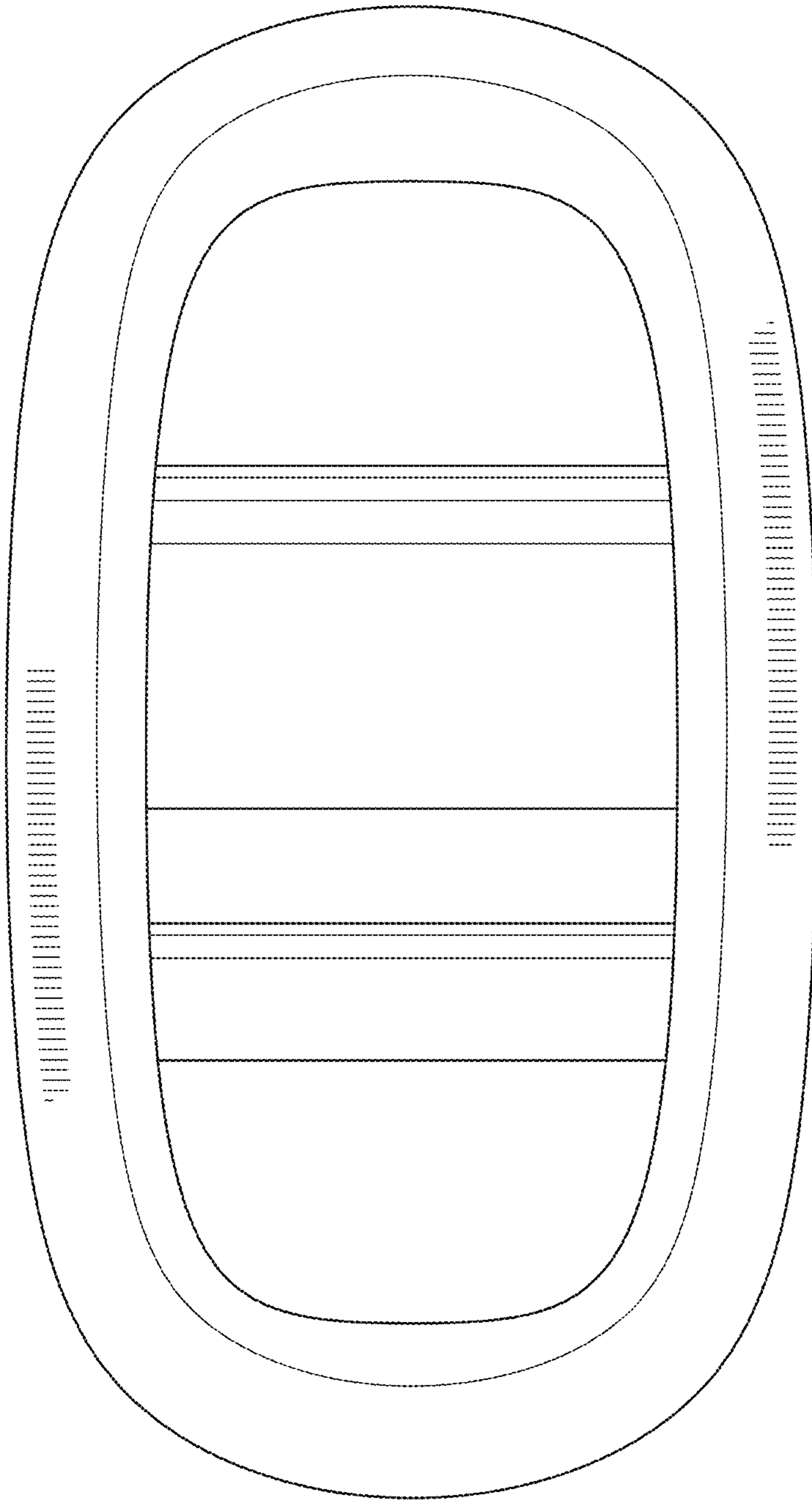


Fig. 4

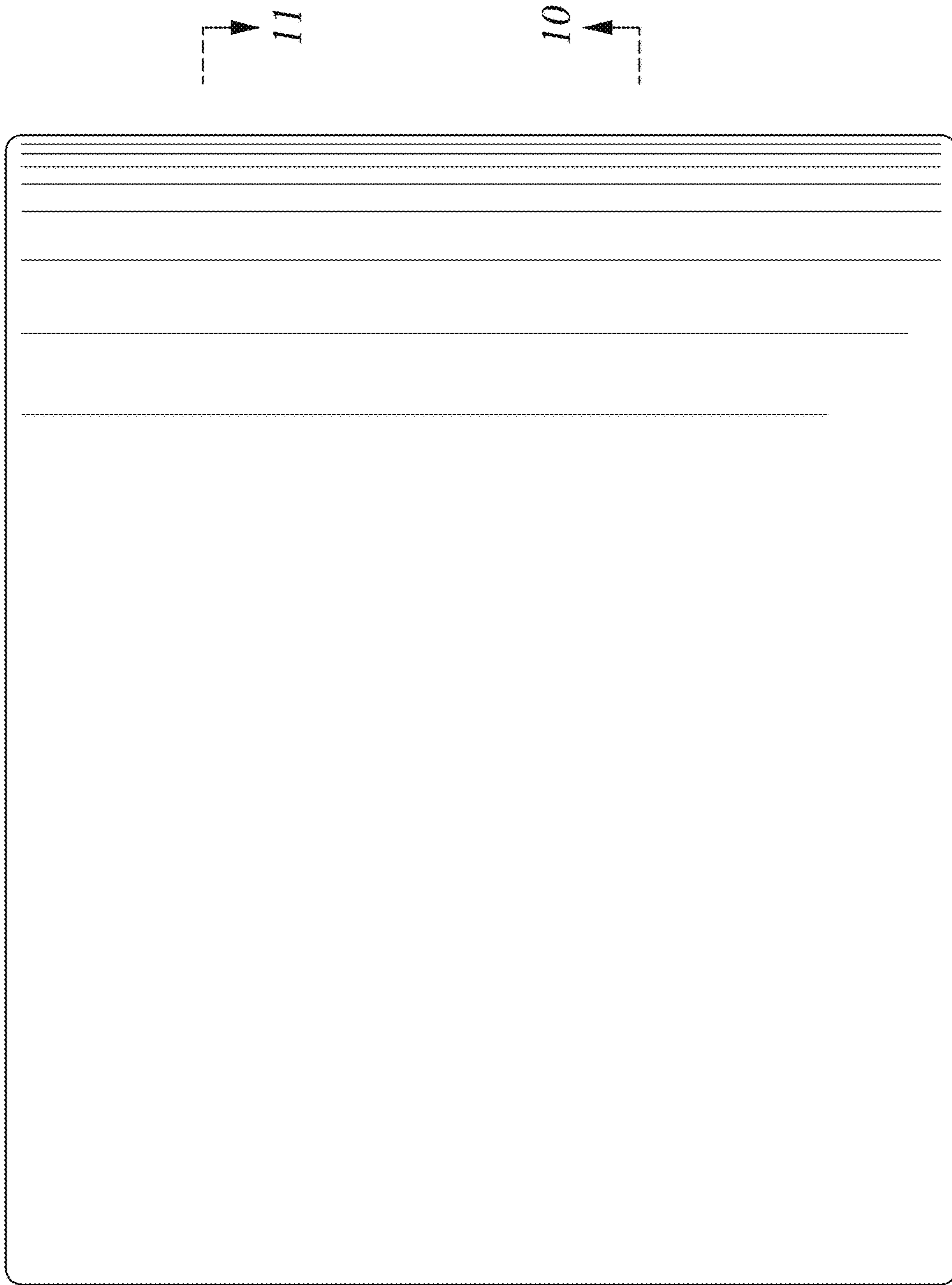


Fig. 5

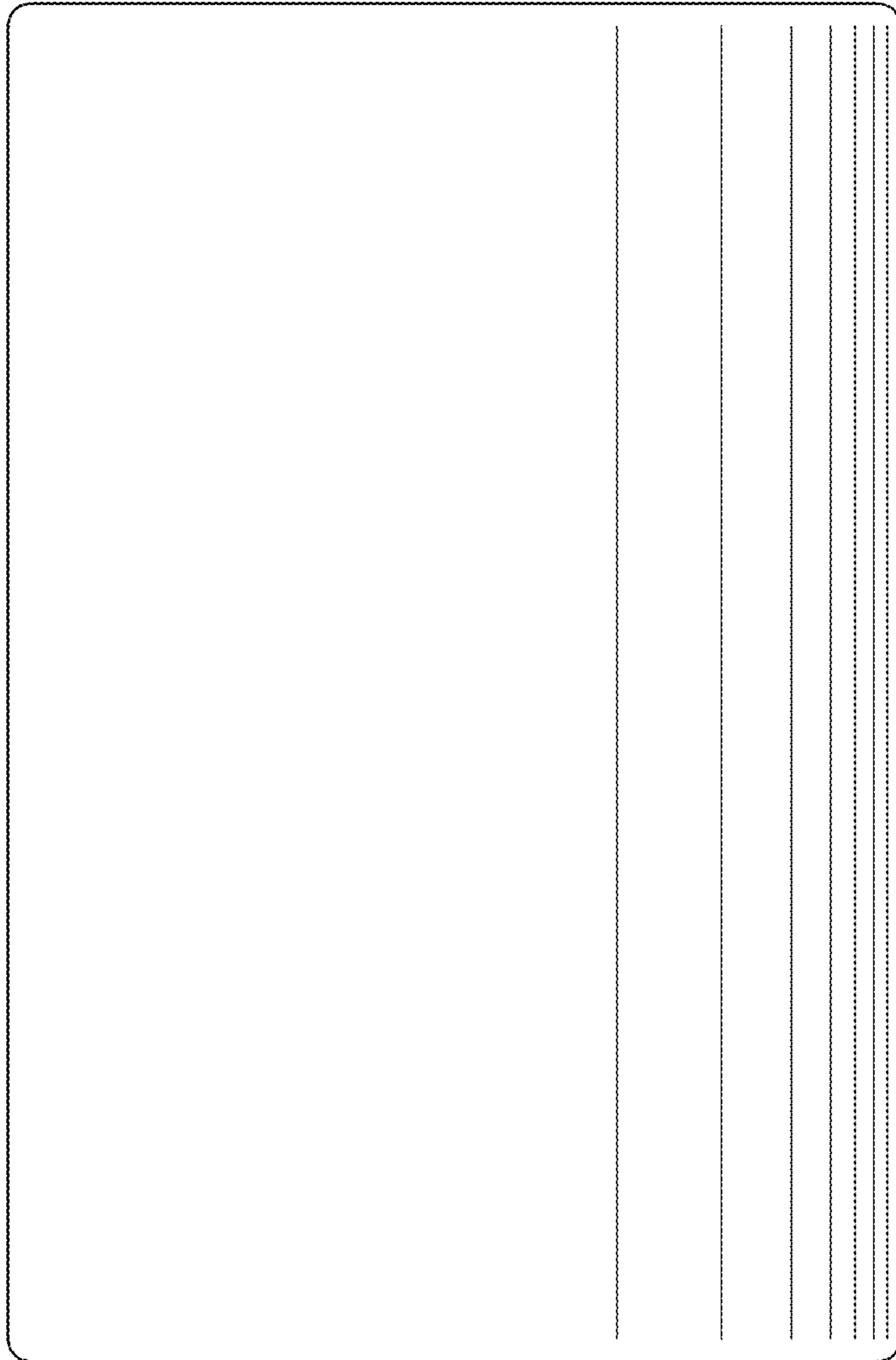


Fig. 6

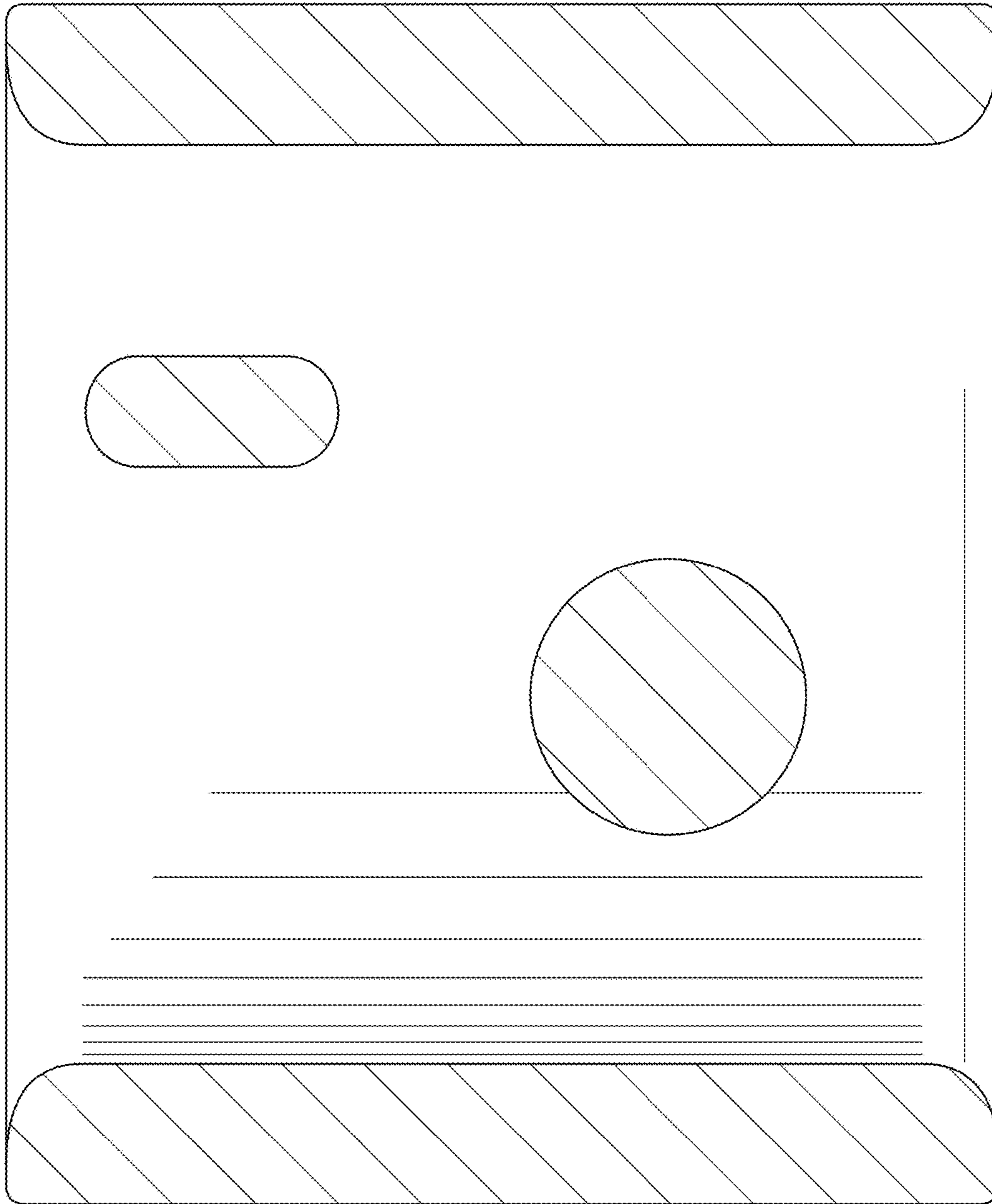


Fig. 7

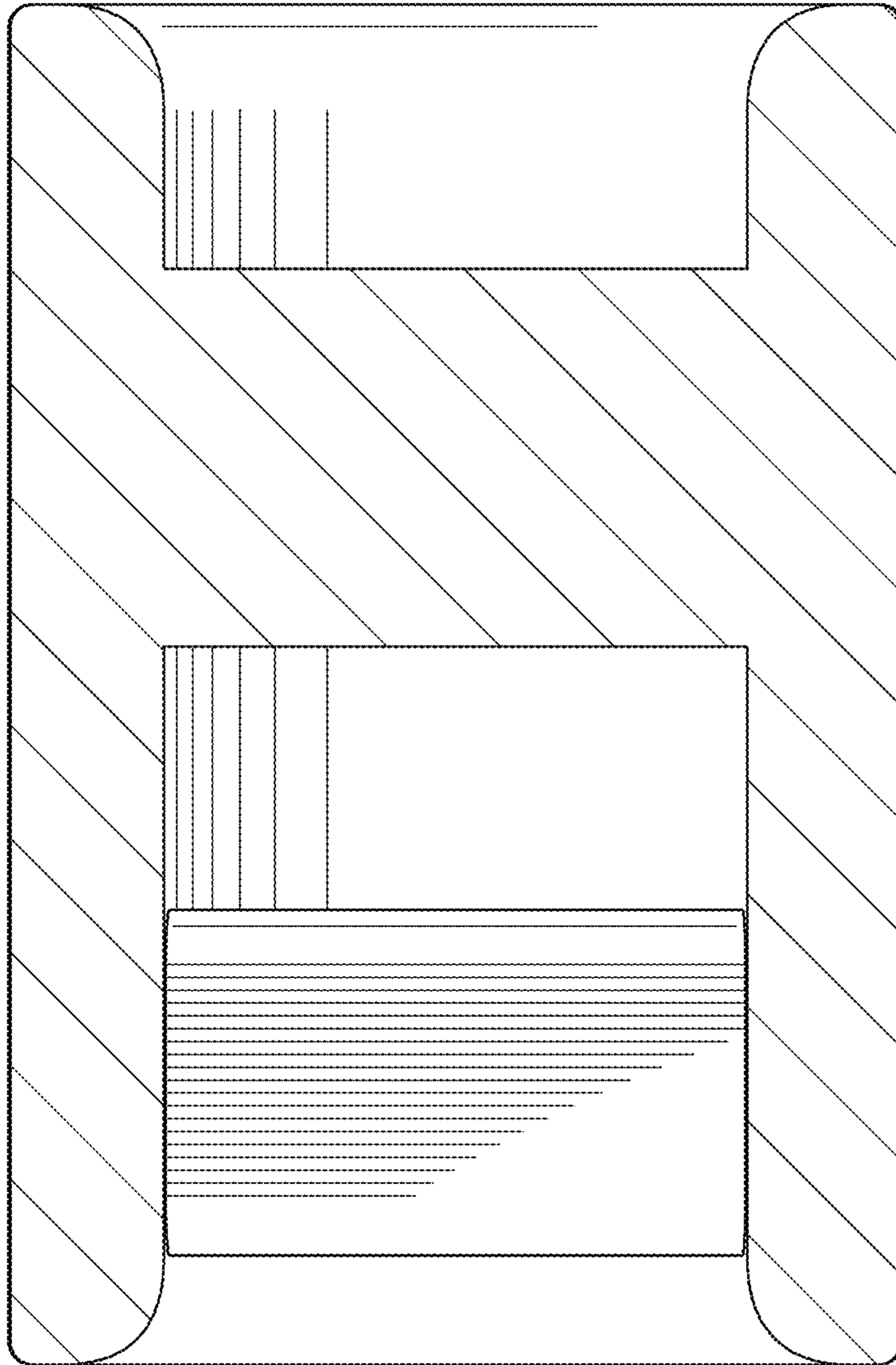


Fig. 8

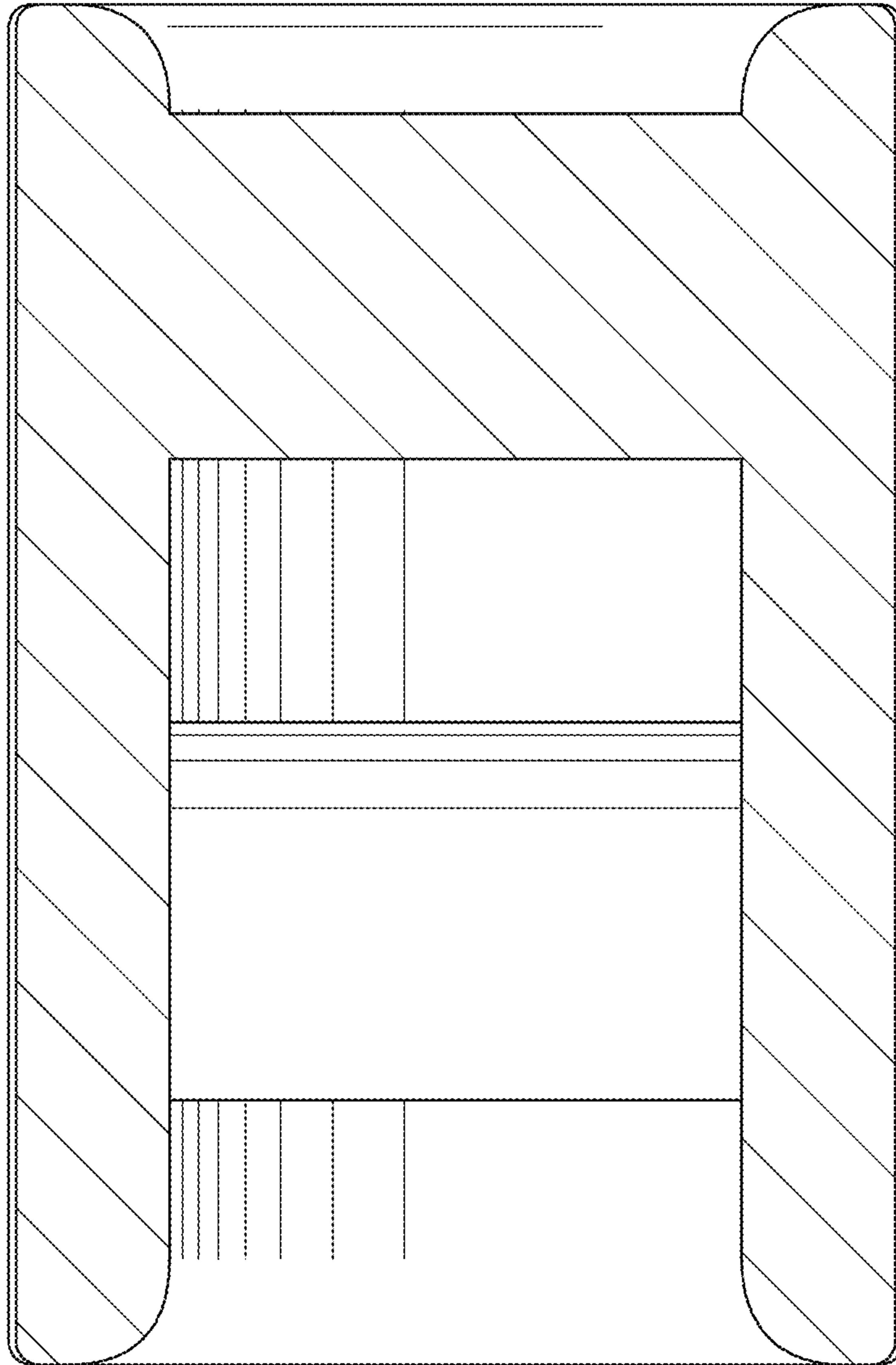


Fig. 9

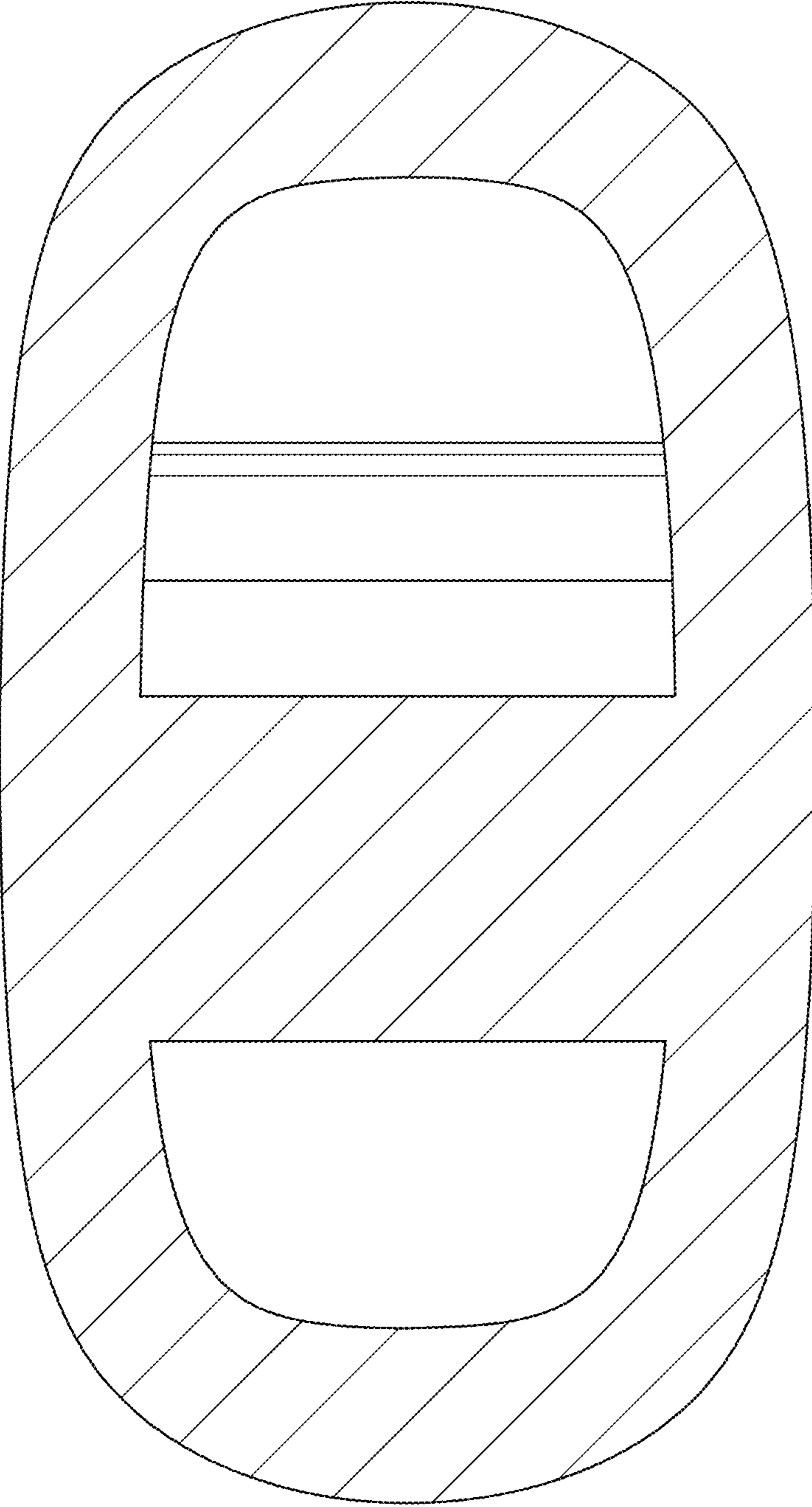


Fig. 10

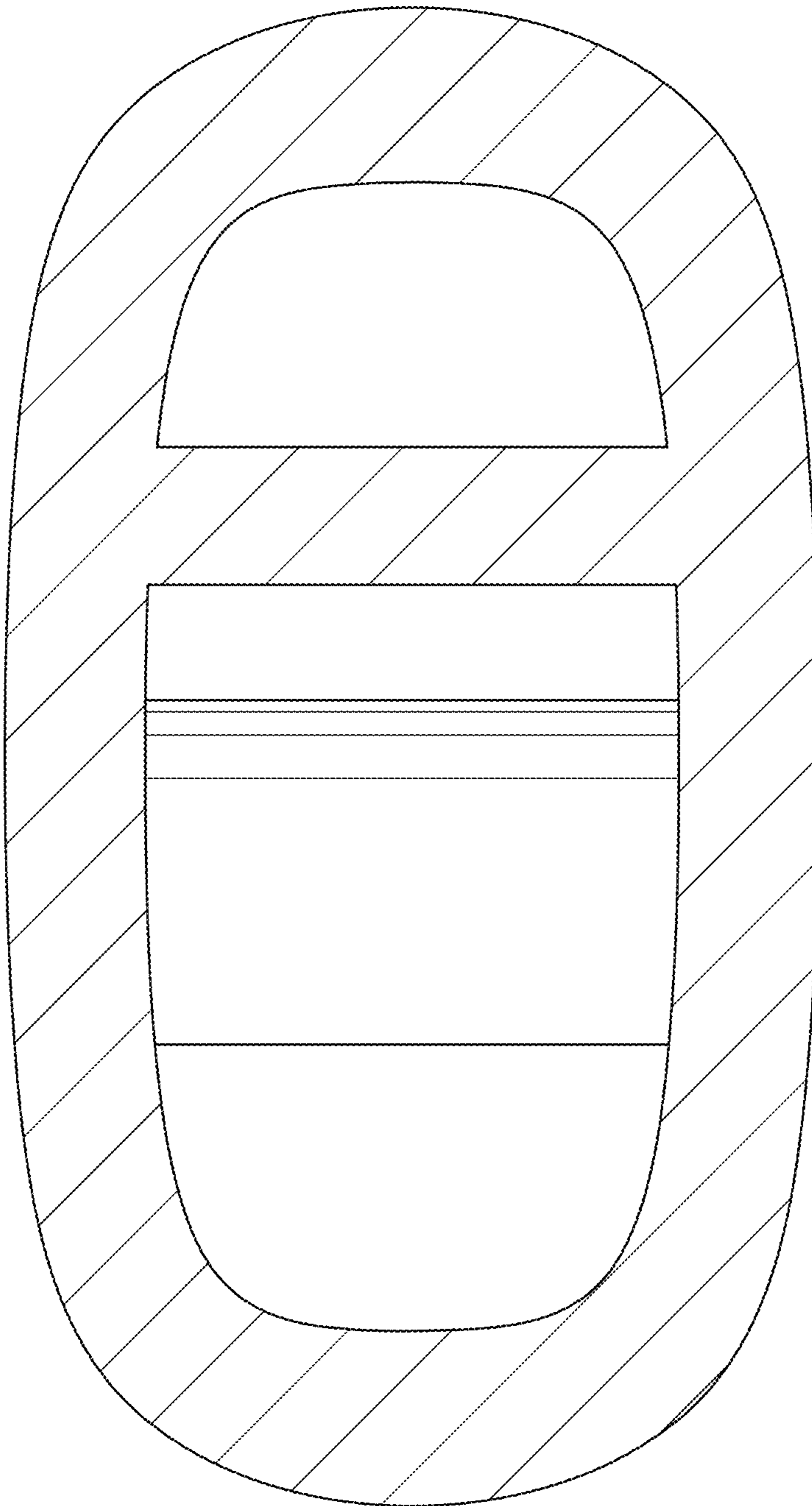


Fig. 11

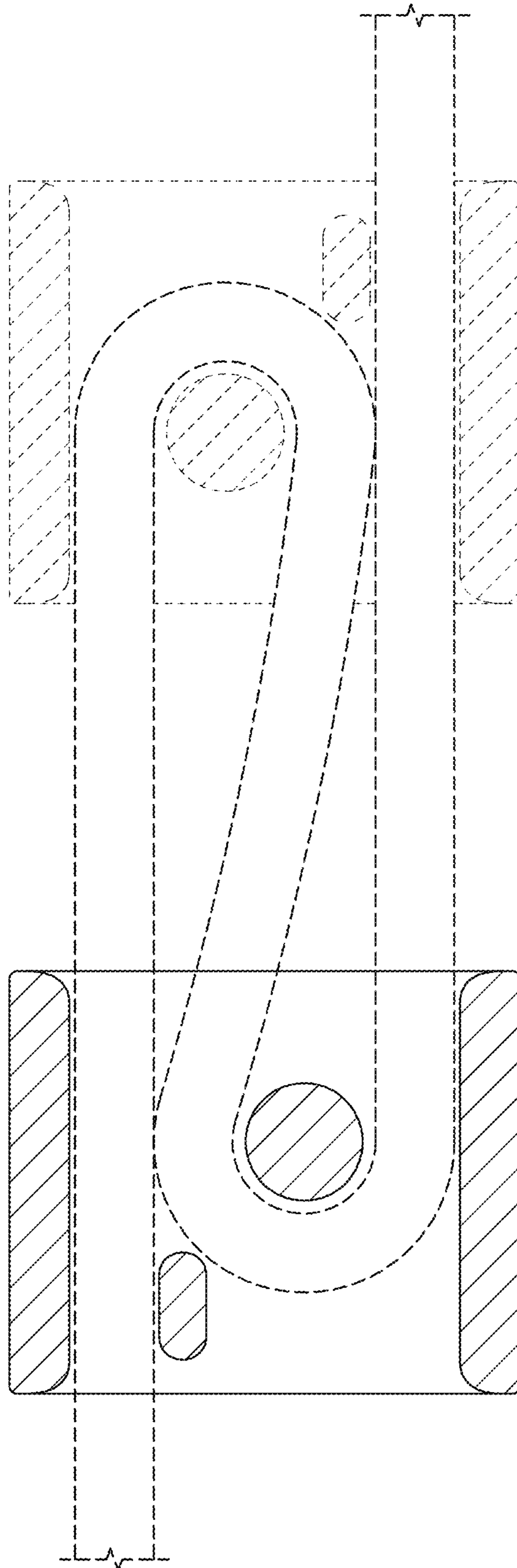


Fig. 12