



US00D833263S

(12) **United States Design Patent** (10) **Patent No.:** **US D833,263 S**
Minkovich et al. (45) **Date of Patent:** **** Nov. 13, 2018**

(54) **GUIDE AND RAIL ASSEMBLY**

(71) Applicant: **Bath Authority LLC**, Warminster, PA (US)

(72) Inventors: **Michael Minkovich**, Richboro, PA (US); **Vadym Mironchuk**, Southampton, PA (US)

(73) Assignee: **BATH AUTHORITY LLC**, Warminster, PA (US)

(**) Term: **15 Years**

(21) Appl. No.: **29/577,403**

(22) Filed: **Sep. 13, 2016**

(51) **LOC (11) Cl.** **08-05**

(52) **U.S. Cl.**
USPC **D8/380**

(58) **Field of Classification Search**

USPC D8/321, 380, 381, 400, 373, 354, 355;
16/193; 49/445, 447, 360, 411, 413, 414,
49/425

CPC E05Y 2900/114; E05Y 2800/672; E05D
15/063; E05D 15/0669; E05D 15/0691;
A47K 3/34; E06B 3/4636; E06B 3/4681

See application file for complete search history.

(56) **References Cited**

U.S. PATENT DOCUMENTS

4,178,718 A * 12/1979 Laby A47K 3/34
49/411
4,392,272 A * 7/1983 Finkel A47K 3/34
16/95 R
D275,247 S * 8/1984 Sherman D6/553
D285,286 S * 8/1986 Sharpe 248/67.5
D288,661 S * 3/1987 Sharpe D8/356
D380,953 S * 7/1997 Norgaard D8/71

(Continued)

OTHER PUBLICATIONS

Mirage Sliding Bracket Assembly, Dreamline, catalog cut sheet and installation guide posted at <http://www.bathauthority.com/>, publi-

cation date Sep. 2015, © Dreamline, [online], site visited Jul. 18, 2017. Available from Internet, <URL http://www.bathauthority.com/pdf_files/manuals/MIRAGE_MANUAL.pdf>.*

(Continued)

Primary Examiner — Shannon W Morgan

Assistant Examiner — Altaira J Swangin

(74) *Attorney, Agent, or Firm* — Fox Rothschild LLP

(57) **CLAIM**

The ornamental design for a guide and rail assembly, as shown and described.

DESCRIPTION

FIG. 1 is a perspective view of the guide and rail assembly showing our new design;

FIG. 2 is top plan view of the guide assembly of the guide and rail assembly of FIG. 1;

FIG. 3 is a bottom plan view thereof;

FIG. 4 is a left side elevation view thereof, the right side being a mirror image thereof;

FIG. 5 is a front elevation view thereof, the rear being a mirror image thereof;

FIG. 6 is a top plan view of the rail assembly of the guide and rail assembly of FIG. 1;

FIG. 7 is a bottom plan view thereof;

FIG. 8 is a left side elevation view thereof, the right side being a mirror image thereof;

FIG. 9 is a front elevation view thereof;

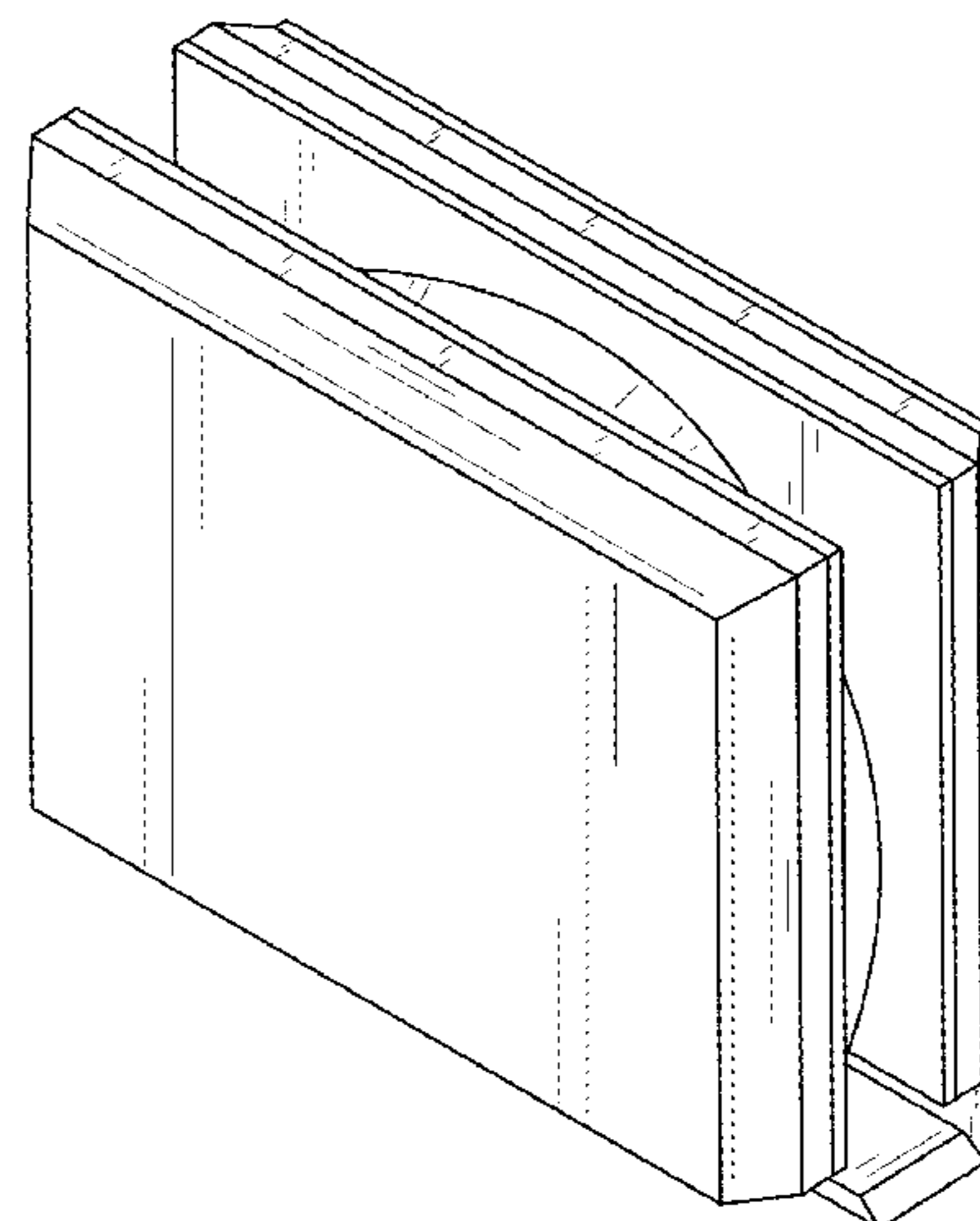
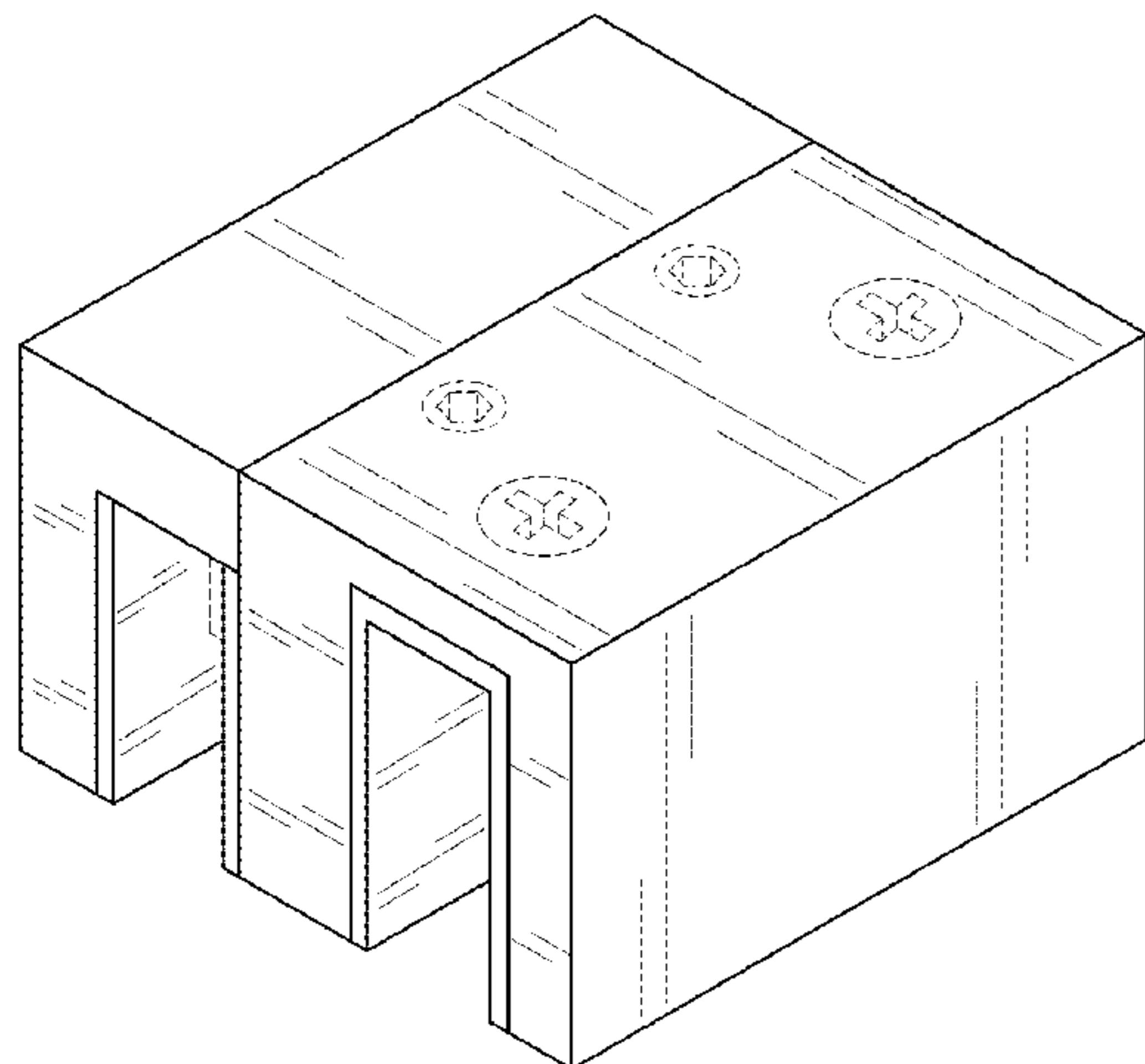
FIG. 10 is a rear elevation view thereof; and,

FIG. 11 is a perspective view thereof.

In the drawings, the broken lines, showing the shower door and panel of a shower enclosure in FIG. 11, represent environment which forms no part of the claimed design.

In the drawings, the broken lines shown in FIGS. 1-4, 6-8, and 10 indicate portions of the article not claimed and form no part of the claimed design.

1 Claim, 11 Drawing Sheets



(56)

References Cited

U.S. PATENT DOCUMENTS

D410,835 S * 6/1999 Cosgrove D8/354
 5,934,719 A * 8/1999 Athanasios E05B 65/087
 292/145
 D504,609 S * 5/2005 Ferguson D8/354
 D547,637 S * 7/2007 Blacker D8/354
 D555,468 S * 11/2007 Caswell D8/380
 D556,558 S * 12/2007 Biancardi D8/380
 7,513,080 B1 * 4/2009 Showalter E04D 13/10
 403/373
 7,549,253 B2 * 6/2009 Hockman E04D 13/10
 52/24
 7,637,058 B2 * 12/2009 Lai E05D 15/0656
 49/408
 D614,483 S * 4/2010 Leibe, III D8/400
 D615,847 S * 5/2010 Tezak D8/349
 D616,276 S * 5/2010 Friegang D8/72
 7,712,258 B2 * 5/2010 Ewing E05O 7/06
 16/105
 D622,131 S * 8/2010 Tezak D8/349
 7,931,159 B2 * 4/2011 Kao B25H 3/04
 211/70.6
 D651,503 S * 1/2012 Ellis D8/349
 D654,347 S * 2/2012 Chen D8/349
 D662,805 S * 7/2012 Macdonald D8/373
 8,528,888 B2 * 9/2013 Header E04D 13/10
 269/91
 D702,523 S * 4/2014 Ingram D8/71
 8,850,659 B2 * 10/2014 Ewing E05D 15/0634
 16/105
 8,910,928 B2 * 12/2014 Header E04D 13/10
 269/91
 D727,716 S * 4/2015 Langle D8/355
 D735,017 S * 7/2015 Langle D8/355
 D735,023 S * 7/2015 Baldwin D8/380
 D737,670 S * 9/2015 Beyerle D8/373
 9,127,491 B2 * 9/2015 Bouthillier E05D 5/0246
 D742,969 S * 11/2015 White D20/43
 D747,225 S * 1/2016 Decook D10/60
 D756,211 S * 5/2016 Downs D8/395
 9,353,527 B2 * 5/2016 Smeja E04D 13/00
 9,364,121 B2 * 6/2016 Sprague E05D 15/0686
 9,382,737 B2 * 7/2016 Wei E05D 15/0656

D777,024 S * 1/2017 Lee D8/396
 D779,713 S * 2/2017 Sonneman D26/138
 D779,714 S * 2/2017 Sonneman D26/138
 D781,681 S * 3/2017 Nagaki D8/354
 9,714,670 B2 * 7/2017 Header F16B 2/065
 9,745,787 B2 * 8/2017 Conley E05F 11/54
 9,752,379 B2 * 9/2017 Aykas E05D 1/00
 2002/0157318 A1 * 10/2002 Teubert A47K 3/30
 49/360
 2003/0019030 A1 * 1/2003 Kopacz A47K 3/36
 4/607
 2005/0102958 A1 * 5/2005 Anderson E04D 3/362
 52/698
 2010/0058701 A1 * 3/2010 Yao E04D 13/10
 52/547
 2010/0083588 A1 * 4/2010 Hockman E04D 13/10
 52/24
 2011/0214367 A1 * 9/2011 Haddock F24J 2/5249
 52/173.3
 2014/0115773 A1 * 5/2014 Wei A47K 3/30
 4/607
 2014/0143980 A1 * 5/2014 Chang E05D 15/0639
 16/91
 2015/0252603 A1 * 9/2015 Cianetti E05D 13/14
 49/119
 2016/0138311 A1 * 5/2016 Kreyenborg E06B 3/4636
 49/425
 2016/0166120 A1 * 6/2016 Ball A47K 3/34
 4/607
 2016/0206157 A1 * 7/2016 Ball A47K 3/34
 2016/0258198 A1 * 9/2016 Bouthillier E05D 15/0656
 2016/0369547 A1 * 12/2016 Sato E05F 1/16
 2018/0030747 A1 * 2/2018 Ferris E04G 21/30
 2018/0070779 A1 * 3/2018 Minkovich A47K 3/34
 2018/0148965 A1 * 5/2018 Lam E05D 15/0691

OTHER PUBLICATIONS

Dreamline, Mirage-X Shower Door Installation Instructions, product manual , Ver. 1, Rev. 1, Dec. 2015.
 Dreamline, Mirage-X / Bella Shower and Tub Door Installation Instructions, product manual , Ver. 1, Rev. 4, Jul. 2017.

* cited by examiner

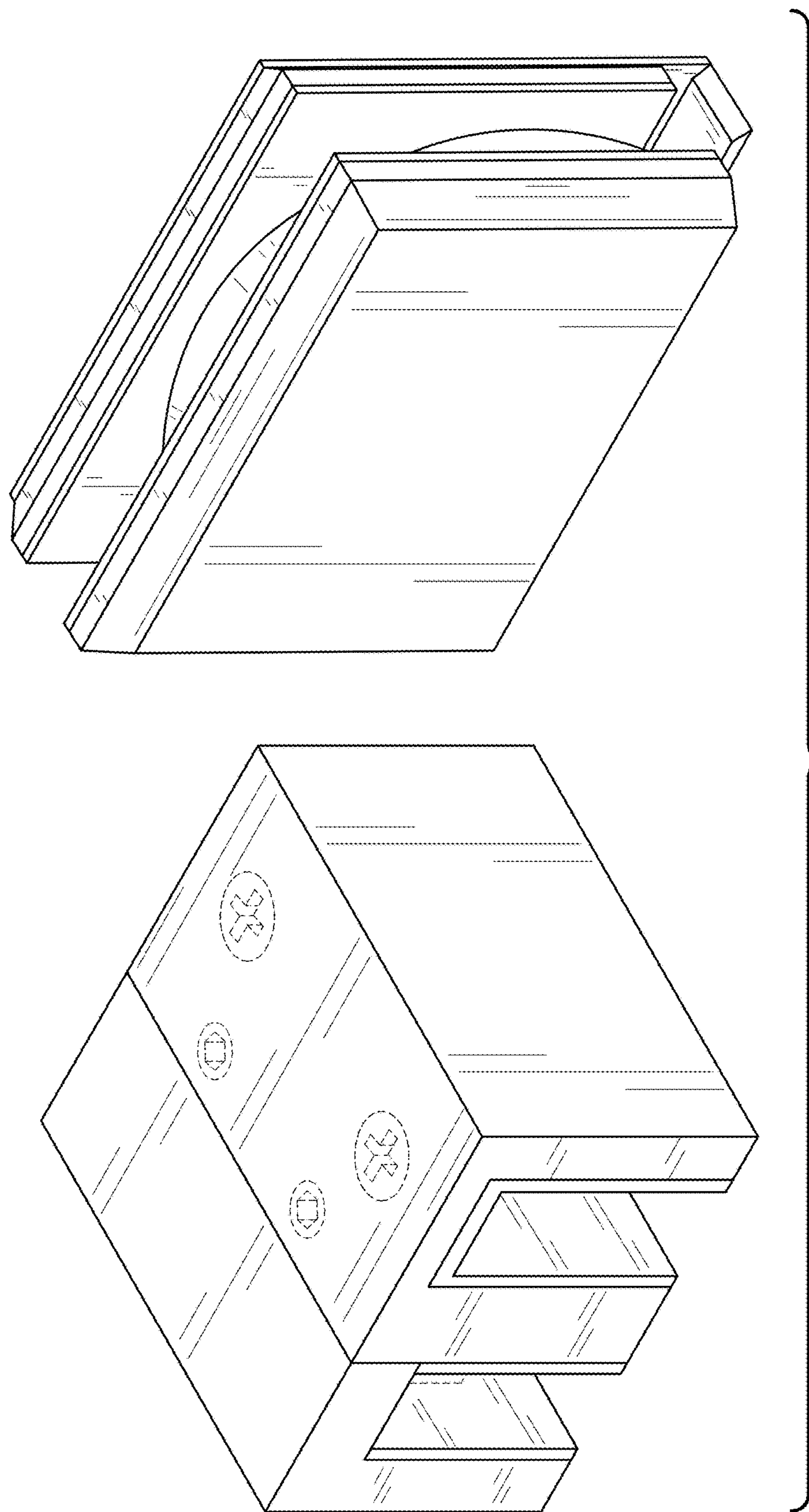


FIG. 1

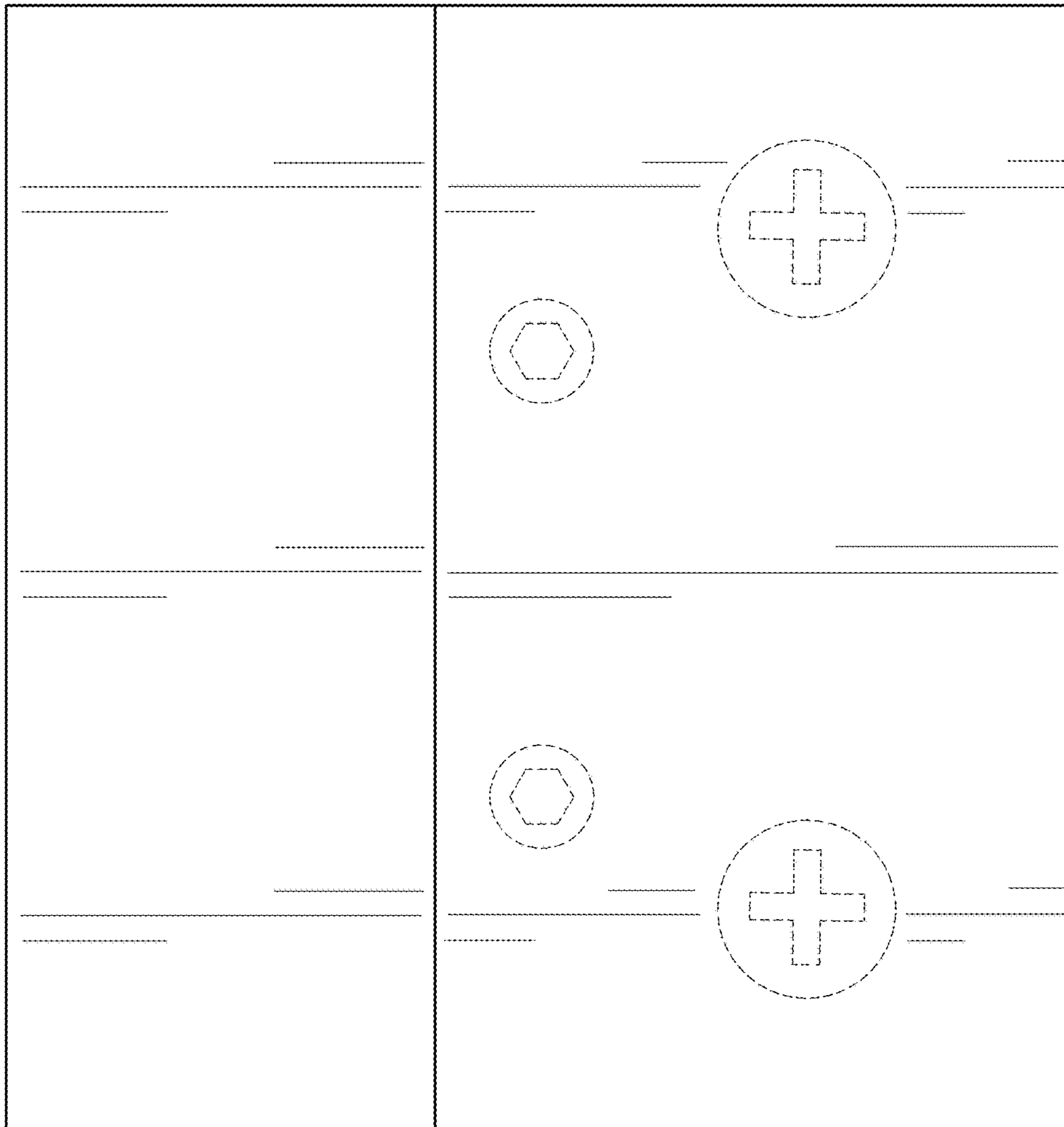


FIG. 2

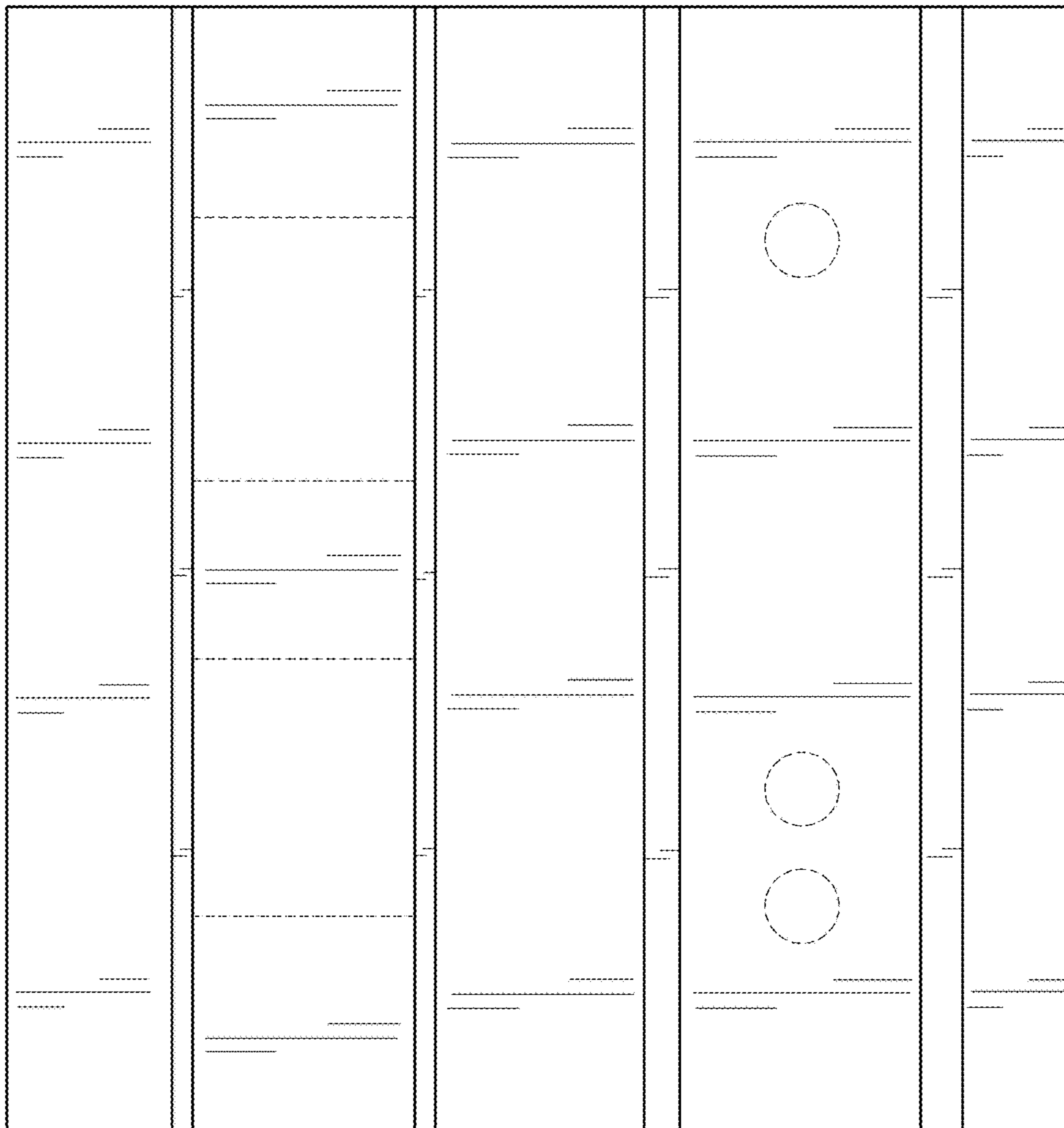


FIG. 3

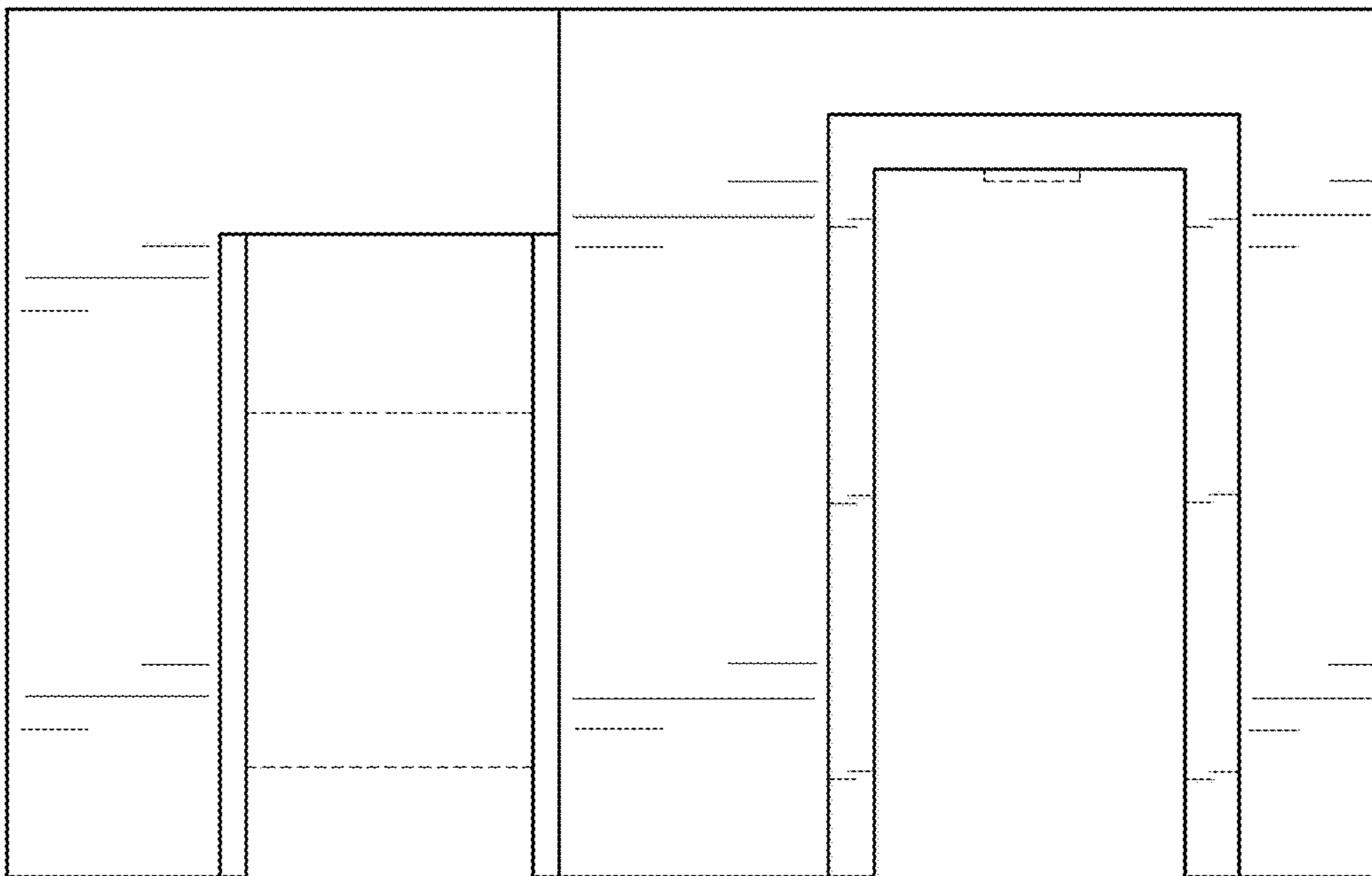


FIG. 4

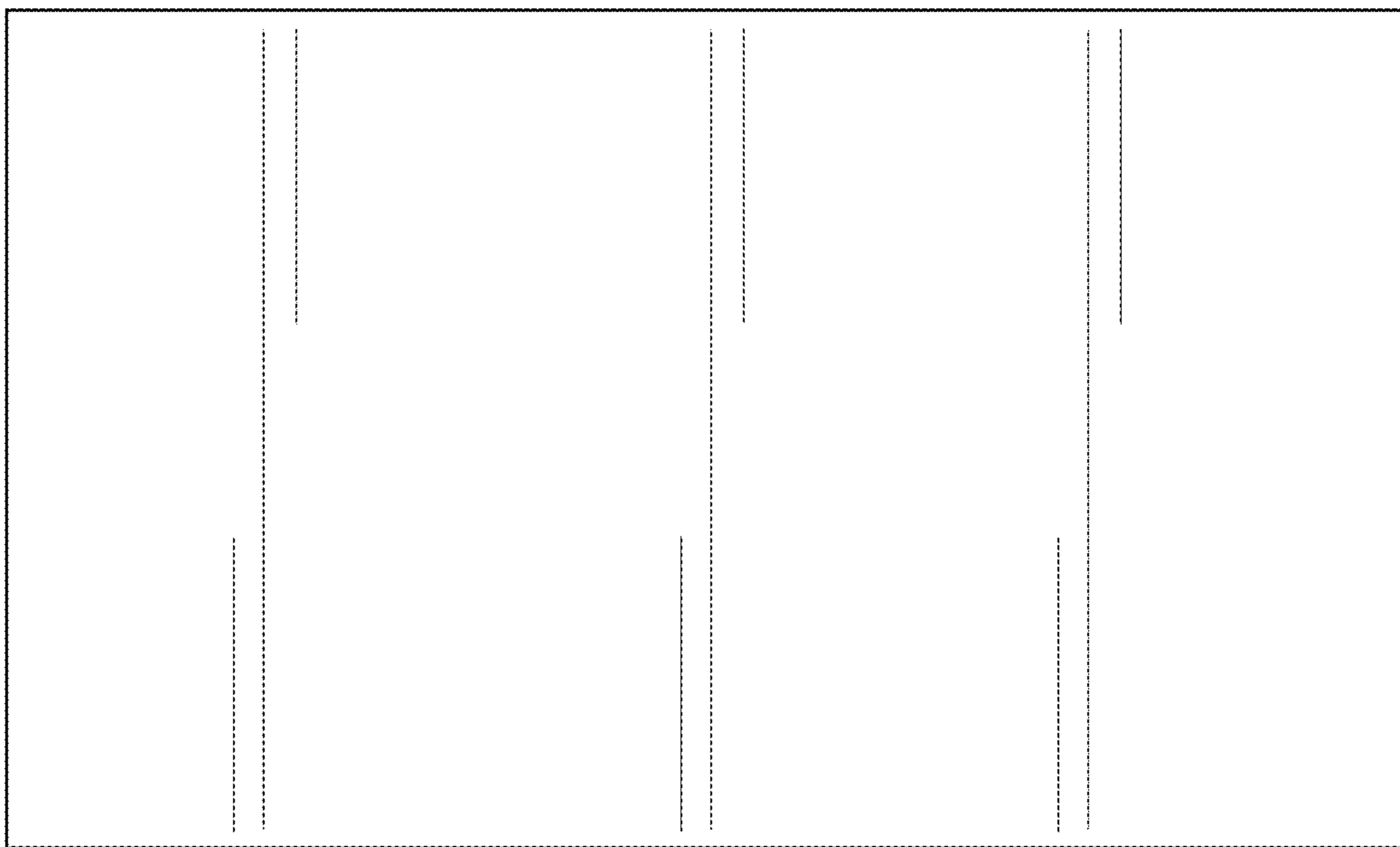


FIG. 5

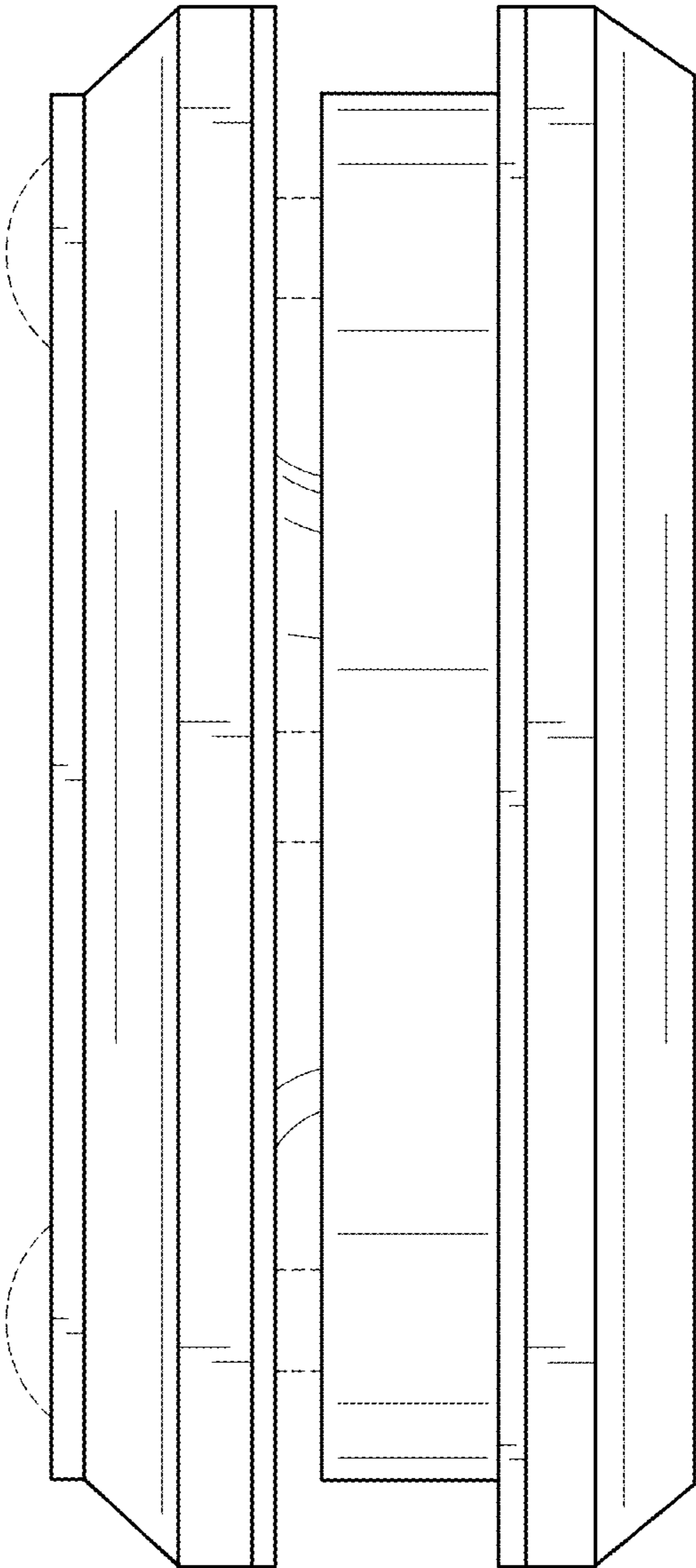


FIG.6

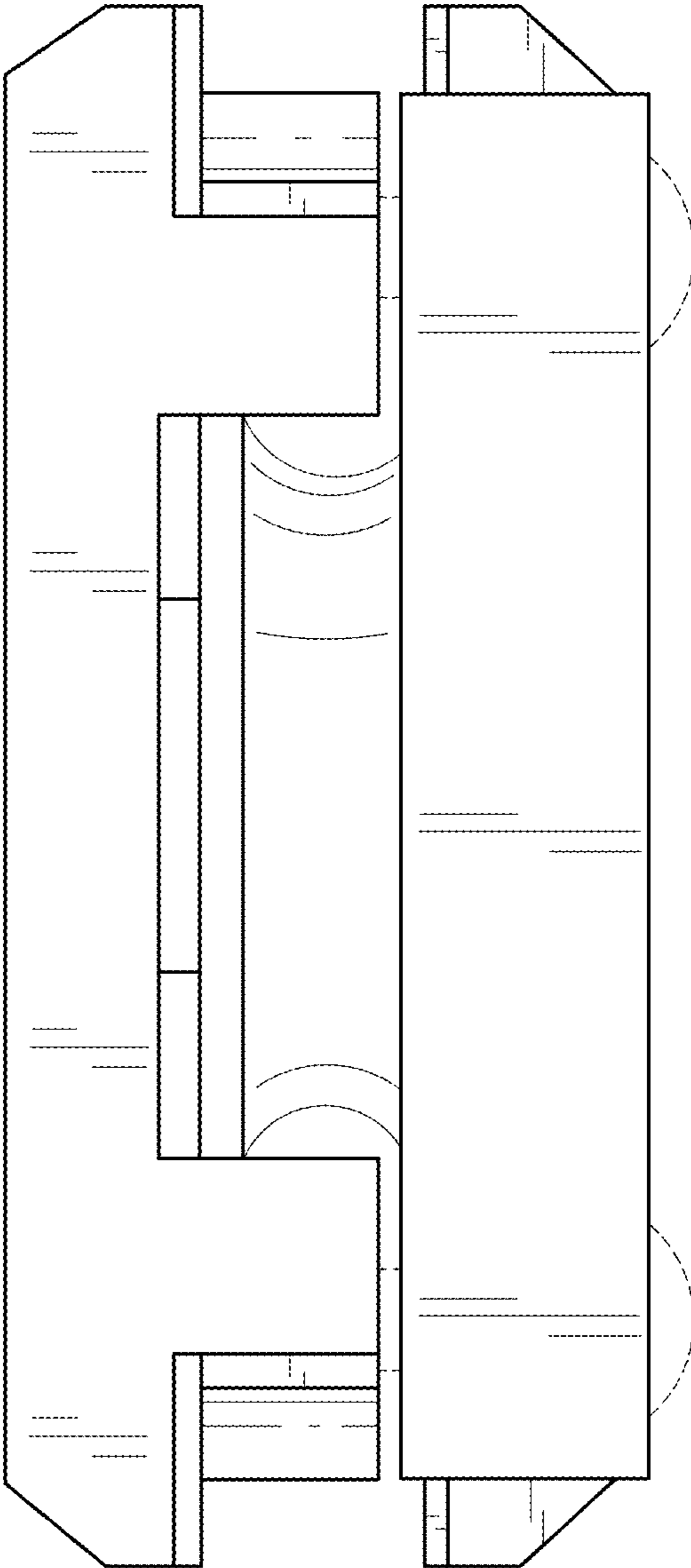


FIG. 7

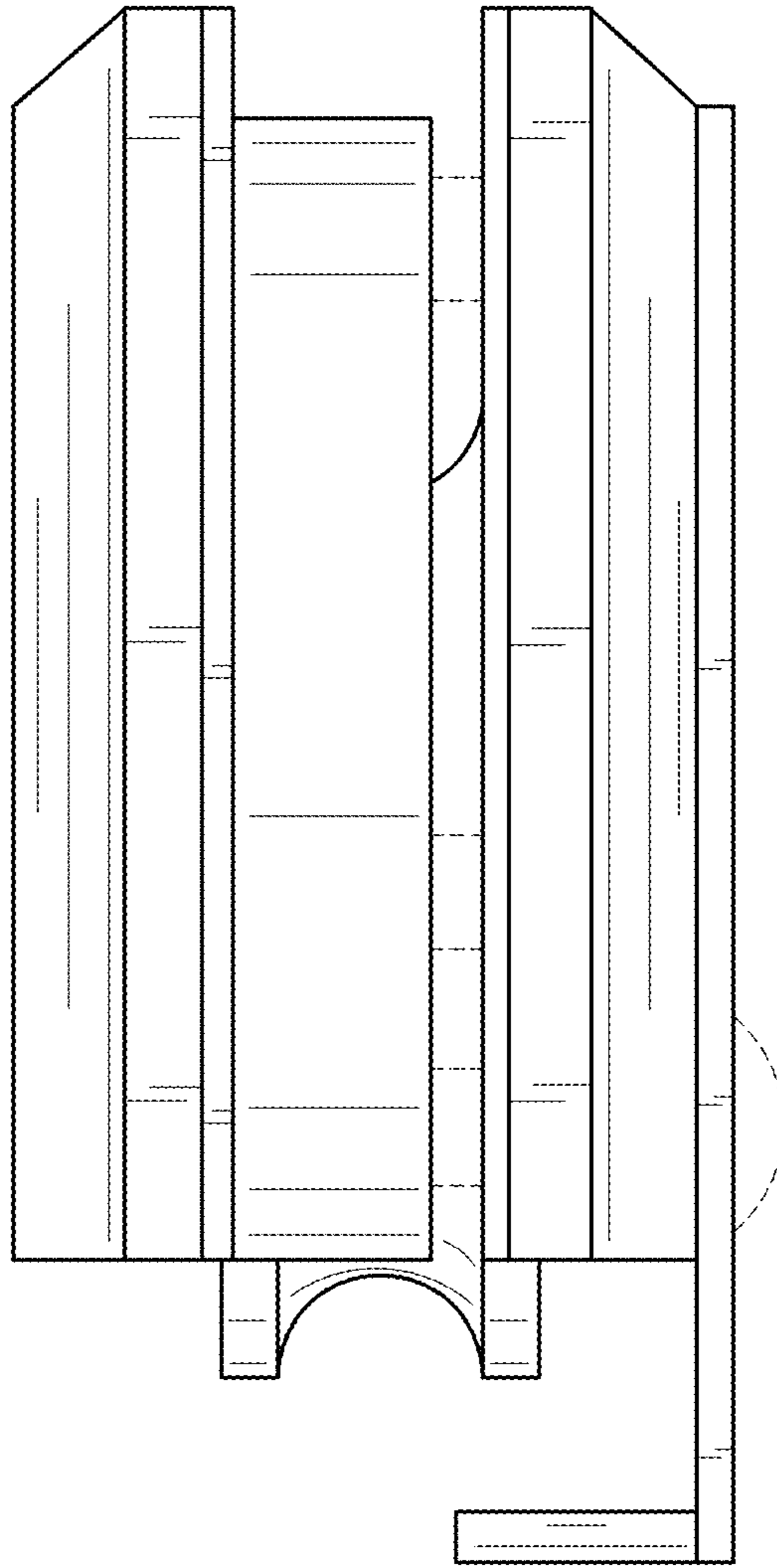


FIG. 8

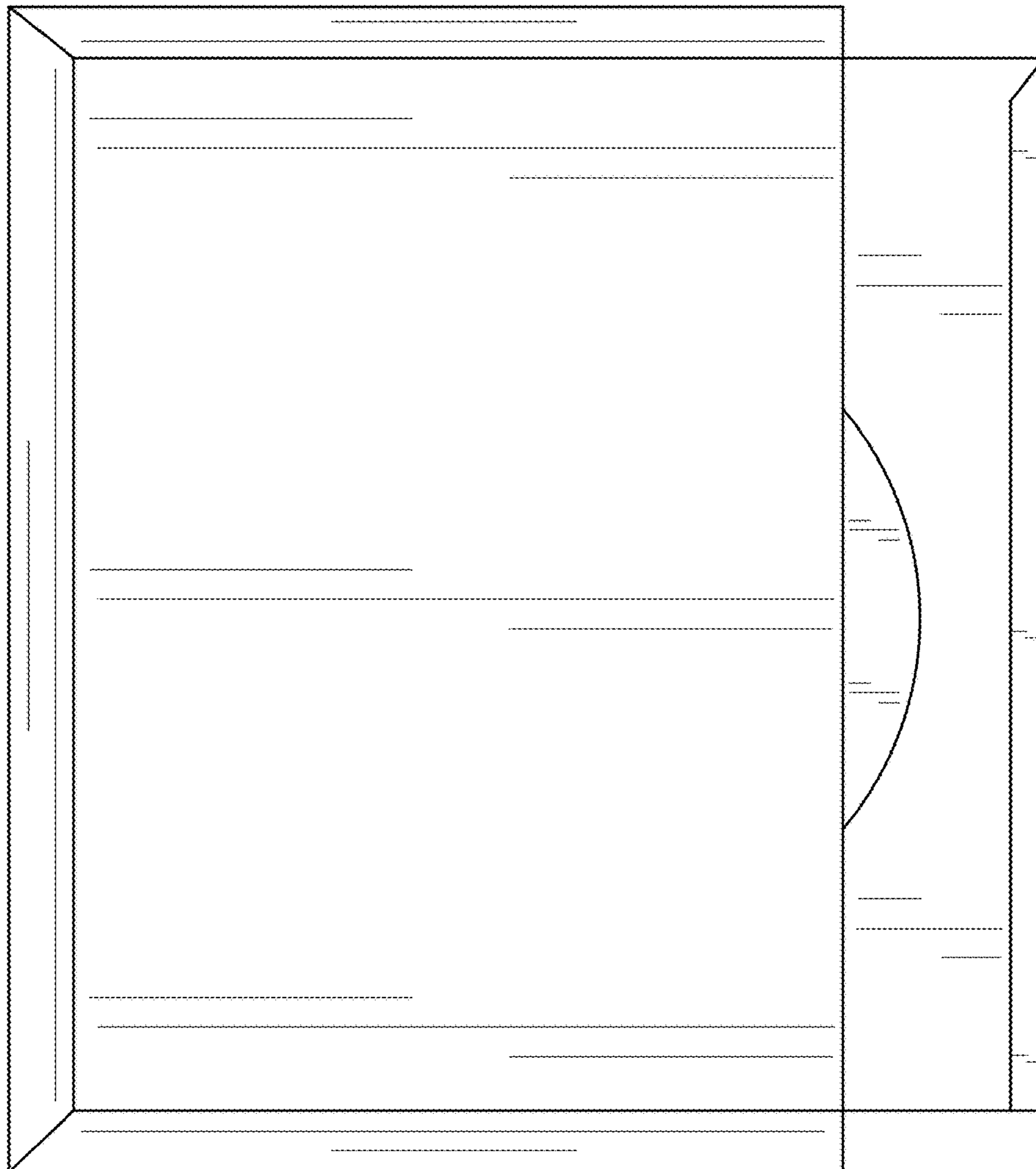
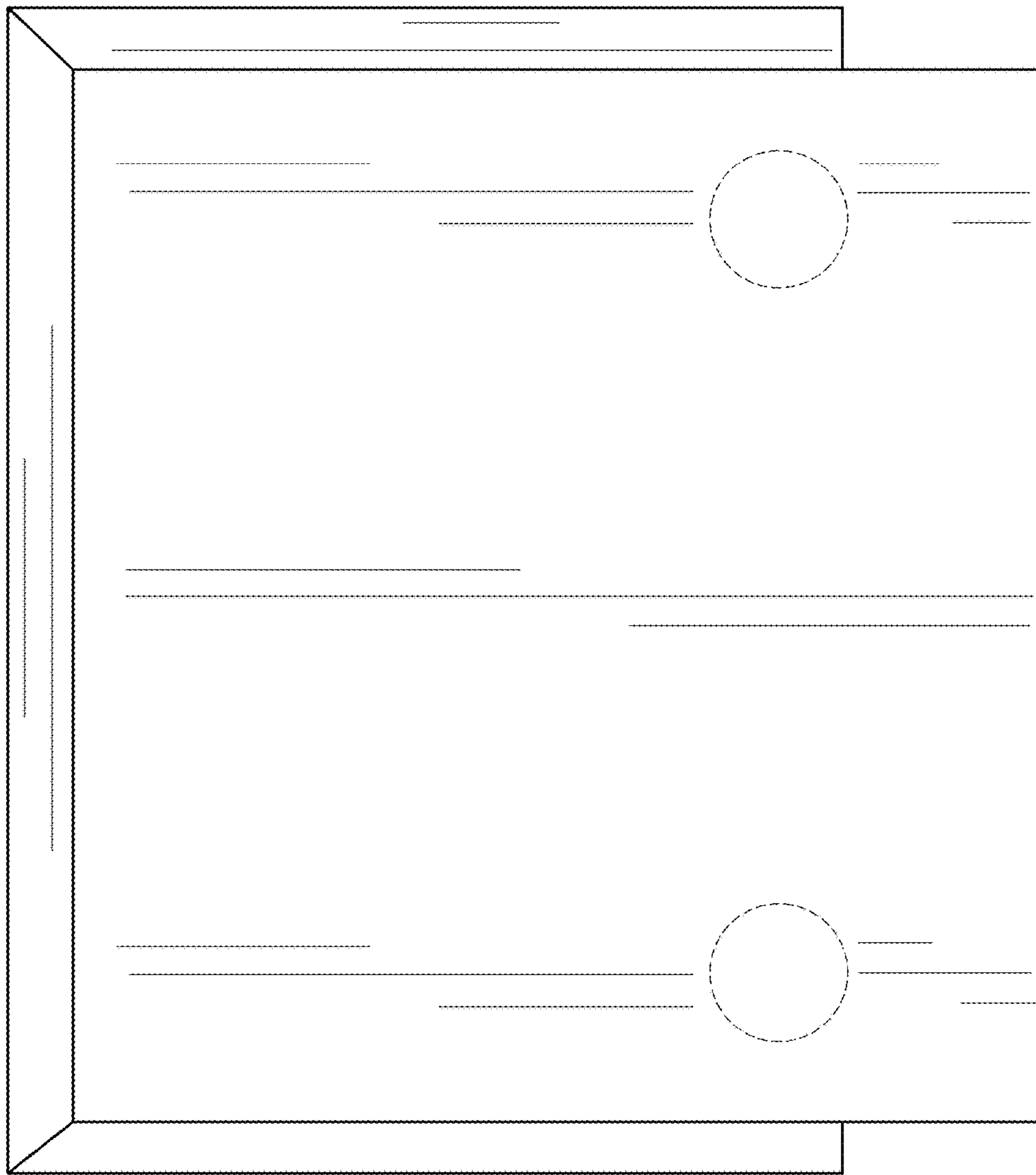


FIG. 9

FIG. 10



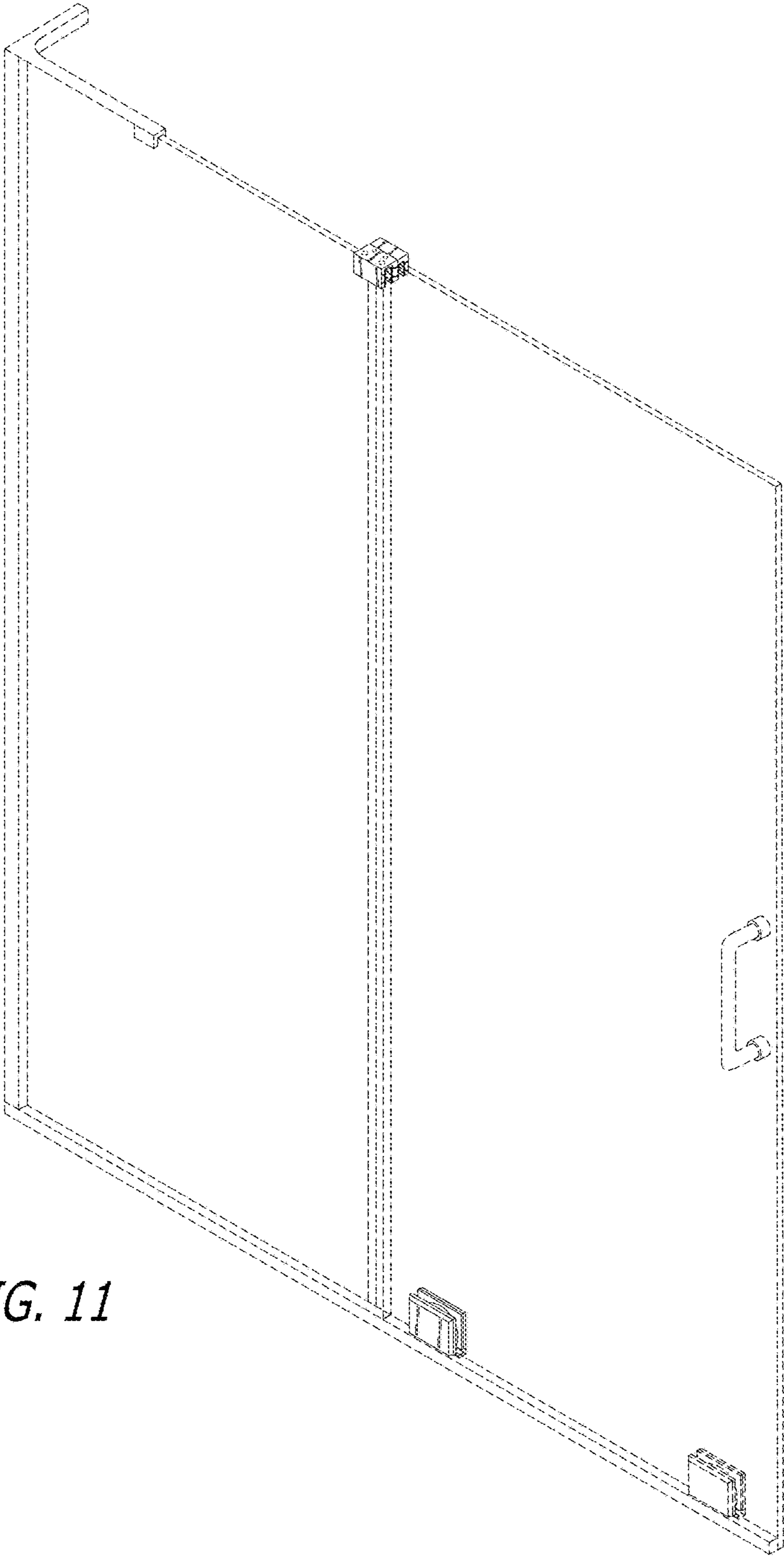


FIG. 11