



US00D833262S

(12) **United States Design Patent**  
**Royak**

(10) **Patent No.:** **US D833,262 S**

(45) **Date of Patent:** **\*\* Nov. 13, 2018**

(54) **WALL MOUNTED HANGER**

(71) Applicant: **Jodie Royak**, Santee, CA (US)

(72) Inventor: **Jodie Royak**, Santee, CA (US)

(\*\*) Term: **15 Years**

(21) Appl. No.: **29/591,288**

(22) Filed: **Jan. 18, 2017**

**Related U.S. Application Data**

(63) Continuation-in-part of application No. 15/192,494, filed on Jun. 24, 2016, now Pat. No. 9,872,574, which  
(Continued)

(51) **LOC (11) Cl.** ..... **08-03**

(52) **U.S. Cl.**  
USPC ..... **D8/373**

(58) **Field of Classification Search**  
USPC ..... D8/370, 371, 44, 24, 25, 33, 383, 330,  
D8/19, 355, 356, 349, 382, 366, 363  
(Continued)

(56) **References Cited**

**U.S. PATENT DOCUMENTS**

1,400,150 A 12/1921 Goble  
2,652,998 A 9/1953 Miller  
(Continued)

**FOREIGN PATENT DOCUMENTS**

DE 202005014096 U1 11/2005  
WO 2012068346 A2 5/2012

**OTHER PUBLICATIONS**

International Search Report and Written Opinion for International Application No. PCT/US2016/029342 dated Aug. 16, 2016 in 10 pages.

*Primary Examiner* — Eliza Z Bennett-Hattan

(74) *Attorney, Agent, or Firm* — Procopio Cory Hargreaves and Savitch LLP

(57) **CLAIM**

The ornamental design for a wall mounted hanger, as shown and described.

**DESCRIPTION**

FIG. 1 is a front perspective view of a wall mounted hanger; FIG. 2 is a rear perspective view of the wall mounted hanger; FIG. 3 is a front elevational view of the wall mounted hanger; FIG. 4 is a rear elevational view of the wall mounted hanger; FIG. 5 is a right elevational view of the wall mounted hanger; FIG. 6 is a left elevational view of the wall mounted hanger; FIG. 7 is a top plan view of the wall mounted hanger; FIG. 8 is a bottom plan view of the wall mounted hanger; FIG. 9 is a front perspective view of a wall mounted hanger; FIG. 10 is a rear perspective view of the wall mounted hanger; FIG. 11 is a front elevational view of the wall mounted hanger; FIG. 12 is a rear elevational view of the wall mounted hanger; FIG. 13 is a right elevational view of the wall mounted hanger; FIG. 14 is a left elevational view of the wall mounted hanger; FIG. 15 is a top plan view of the wall mounted hanger; FIG. 16 is a bottom plan view of the wall mounted hanger; FIG. 17 is a front perspective view of a wall mounted hanger; FIG. 18 is a rear perspective view of the wall mounted hanger; FIG. 19 is a front elevational view of the wall mounted hanger; FIG. 20 is a rear elevational view of the wall mounted hanger; FIG. 21 is a right elevational view of the wall mounted hanger; FIG. 22 is a left elevational view of the wall mounted hanger;

(Continued)

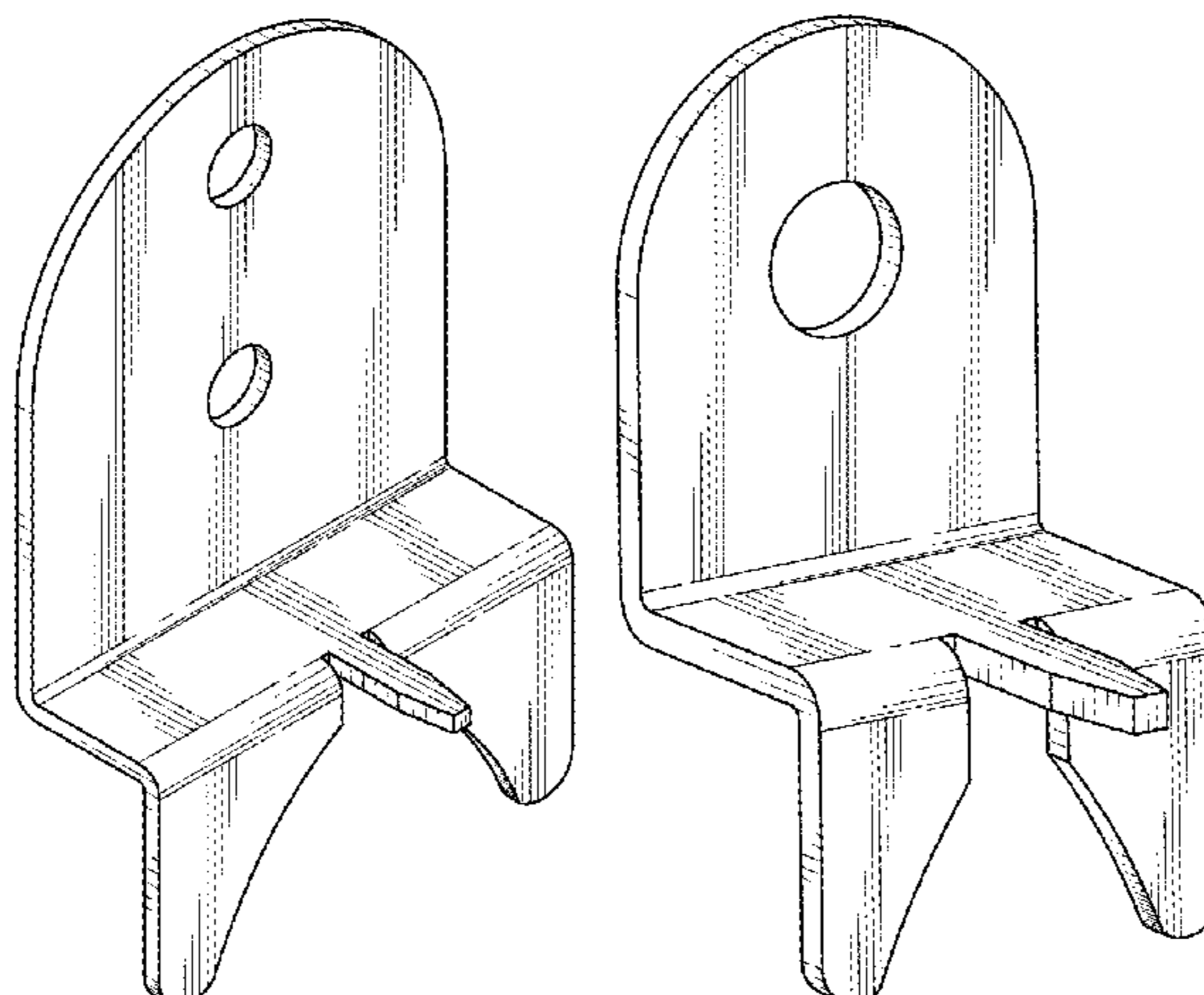


FIG. 23 is a top plan view of the wall mounted hanger; and, FIG. 24 is a bottom plan view of the wall mounted hanger.

**1 Claim, 9 Drawing Sheets**

**Related U.S. Application Data**

is a continuation-in-part of application No. 14/943,458, filed on Nov. 17, 2015, now Pat. No. 9,392,890, which is a continuation-in-part of application No. 14/717,199, filed on May 20, 2015.

(58) **Field of Classification Search**  
CPC ..... A47G 1/205; A47G 1/162  
See application file for complete search history.

(56) **References Cited**

U.S. PATENT DOCUMENTS

3,031,159	A	4/1962	Waller	
D214,383	S *	6/1969	Johnson	D8/371
D235,308	S	6/1975	Clarke	
3,990,670	A	11/1976	Frechtman	
4,039,138	A	8/1977	Einhorn	
4,040,149	A	8/1977	Einhorn	
D251,286	S	3/1979	Cook	
4,171,117	A	10/1979	Prochaska	
D257,219	S	10/1980	Cook	
4,496,128	A	1/1985	Larsen	
D282,525	S	2/1986	Samson et al.	
4,775,129	A	10/1988	Gleisten	
D302,108	S	7/1989	Fenton	
4,871,140	A	10/1989	Hoskinson et al.	
D313,550	S	1/1991	Lorincz	
D337,720	S	7/1993	Handwerger et al.	
5,267,718	A	12/1993	Sheehan	
5,398,906	A	3/1995	Aydelott	
5,433,416	A	7/1995	Johnson	

5,605,313	A	2/1997	Erickson et al.	
D387,970	S *	12/1997	Enslin	D8/349
D397,927	S	9/1998	Roy	
5,867,917	A	2/1999	Karon	
6,186,466	B1	2/2001	Baird et al.	
D484,778	S	1/2004	French	
6,719,260	B1	4/2004	Hart	
6,952,887	B2	10/2005	Muchnik	
7,275,334	B2	10/2007	Horst	
D562,119	S *	2/2008	Prichard, Jr.	D8/382
7,441,741	B2	10/2008	Wong	
7,497,028	B2	3/2009	Nevers et al.	
D603,689	S	11/2009	Cubides	
7,655,318	B2	2/2010	Hall	
D620,342	S	7/2010	Mikkelsen	
7,836,604	B2	11/2010	Paharik et al.	
D671,390	S *	11/2012	Ibarra	D8/349
D671,816	S *	12/2012	Stone	D8/349
8,371,543	B2	2/2013	Schneider	
D684,033	S *	6/2013	Preda	D8/354
8,632,044	B2	1/2014	Cave	
8,740,171	B2	6/2014	Crescenzo	
8,807,499	B2	8/2014	Ripke	
D717,636	S	11/2014	Stanley	
8,898,945	B2	12/2014	Miller	
D721,243	S *	1/2015	Chou	D6/580
D731,876	S *	6/2015	Di Stefano	D8/363
9,091,056	B2 *	7/2015	Stauffer	E04B 1/40
D738,704	S *	9/2015	Watson	D8/349
D741,698	S *	10/2015	McGrath	D8/382
D760,066	S	6/2016	Krenek	
9,392,890	B1	7/2016	Royak	
D784,796	S *	4/2017	Kim	D8/356
2005/0006554	A1	1/2005	DeLine	
2006/0113454	A1	6/2006	Douglas	
2006/0231721	A1	10/2006	Robic	
2009/0165319	A1	7/2009	Gallien	
2009/0193674	A1	8/2009	Megahed	
2009/0224116	A1	9/2009	Gallien	
2012/0151811	A1	6/2012	Ivall	
2013/0232840	A1	9/2013	Miller	

\* cited by examiner

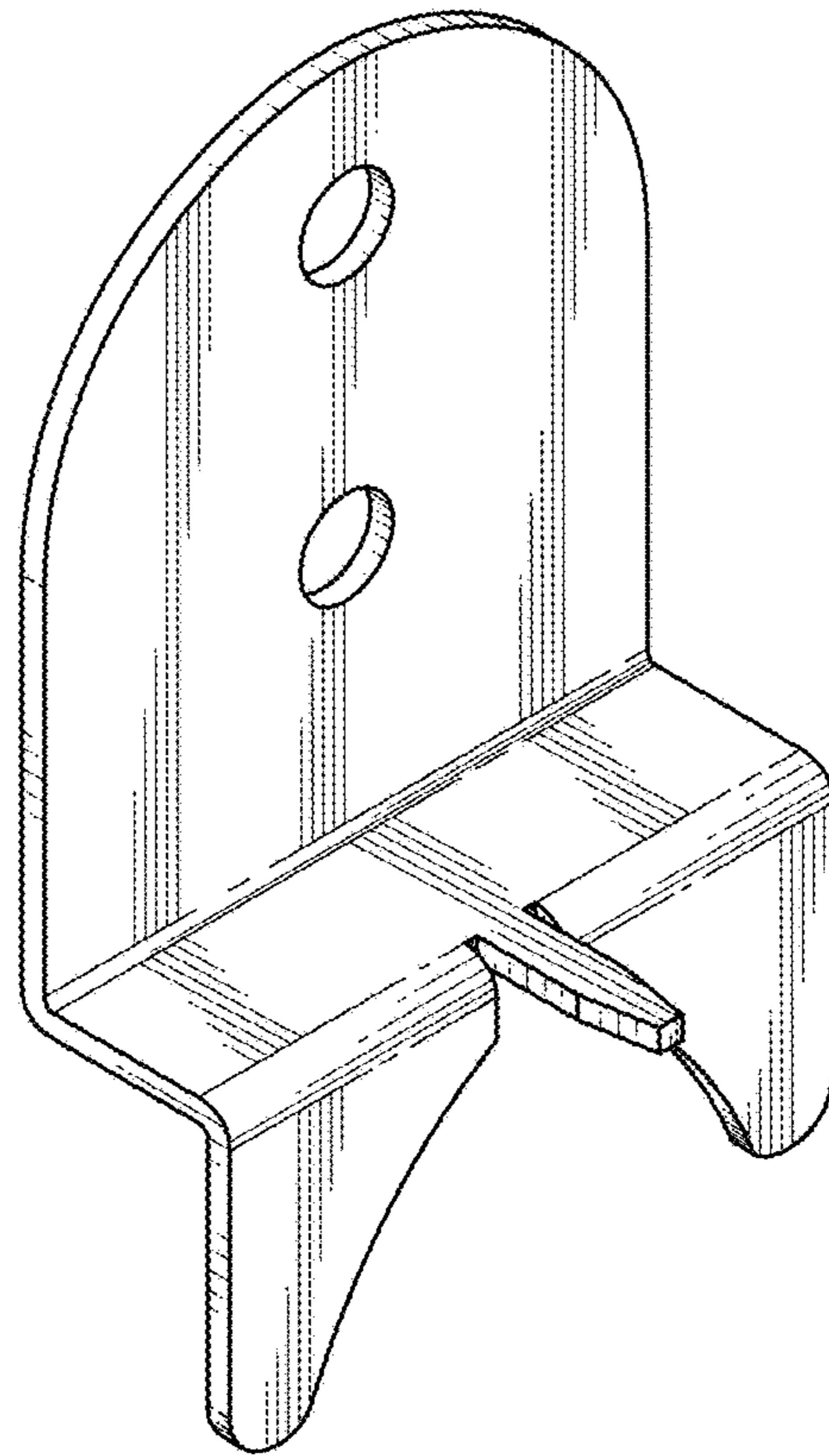


FIG. 1

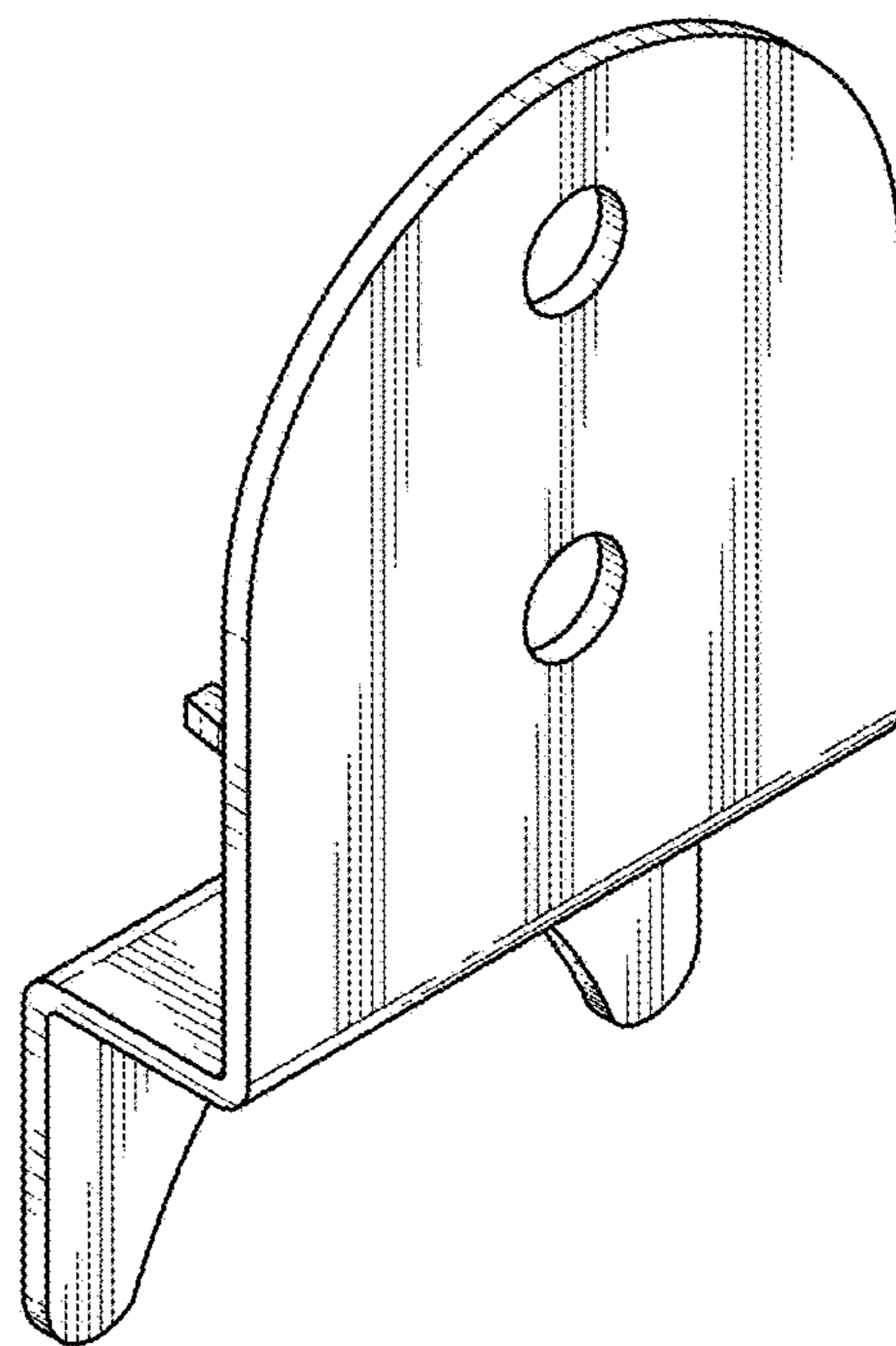


FIG. 2

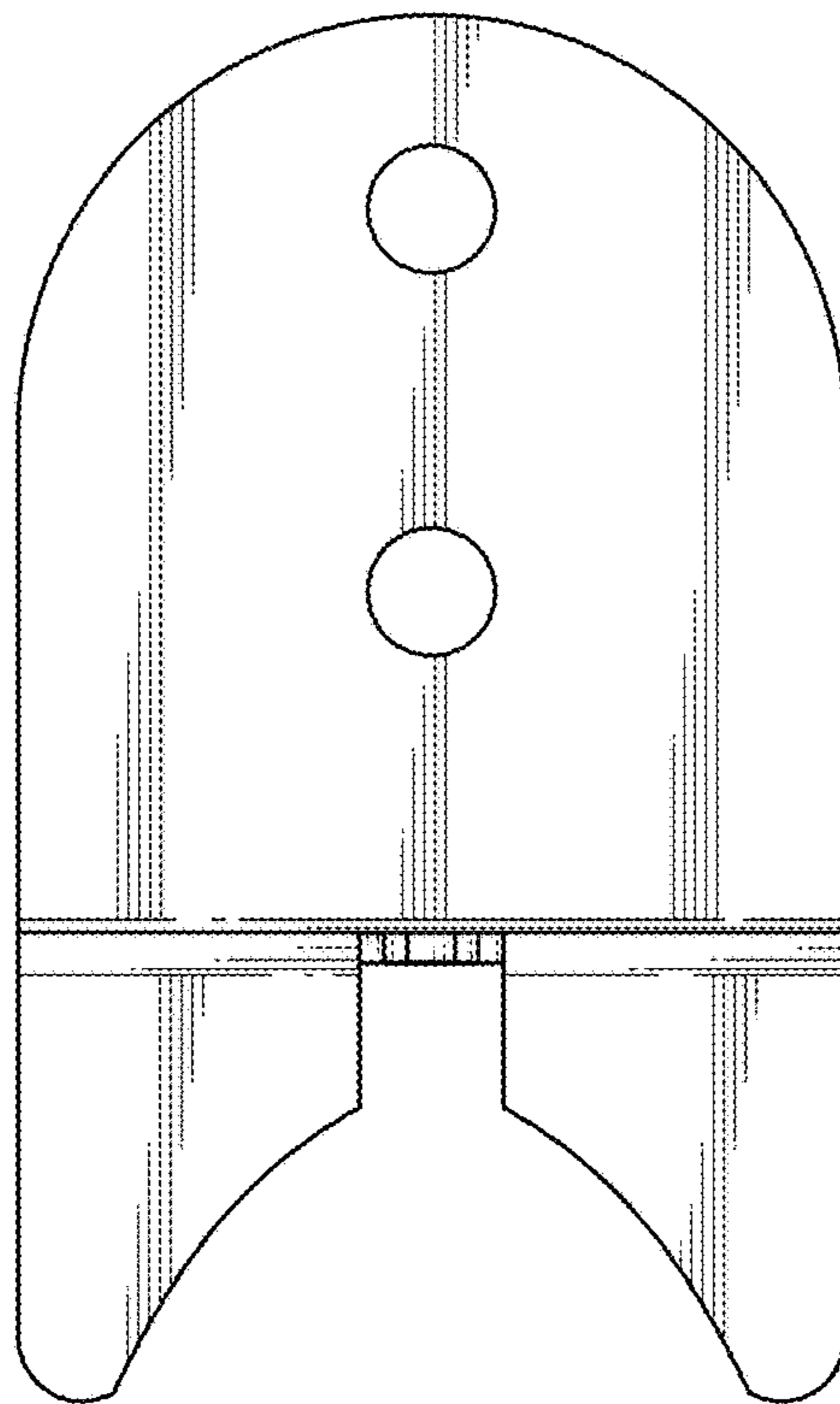


FIG. 3

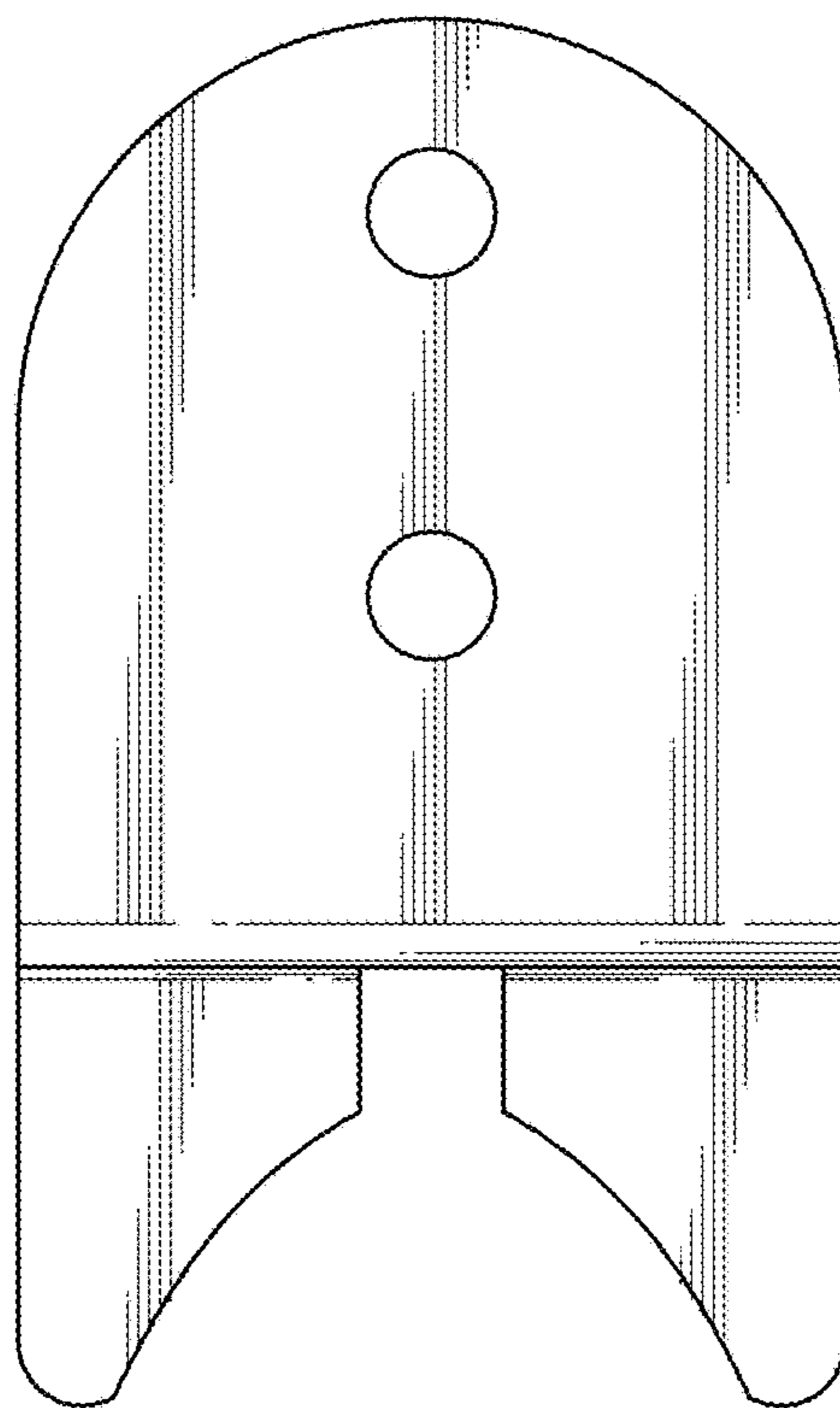


FIG. 4

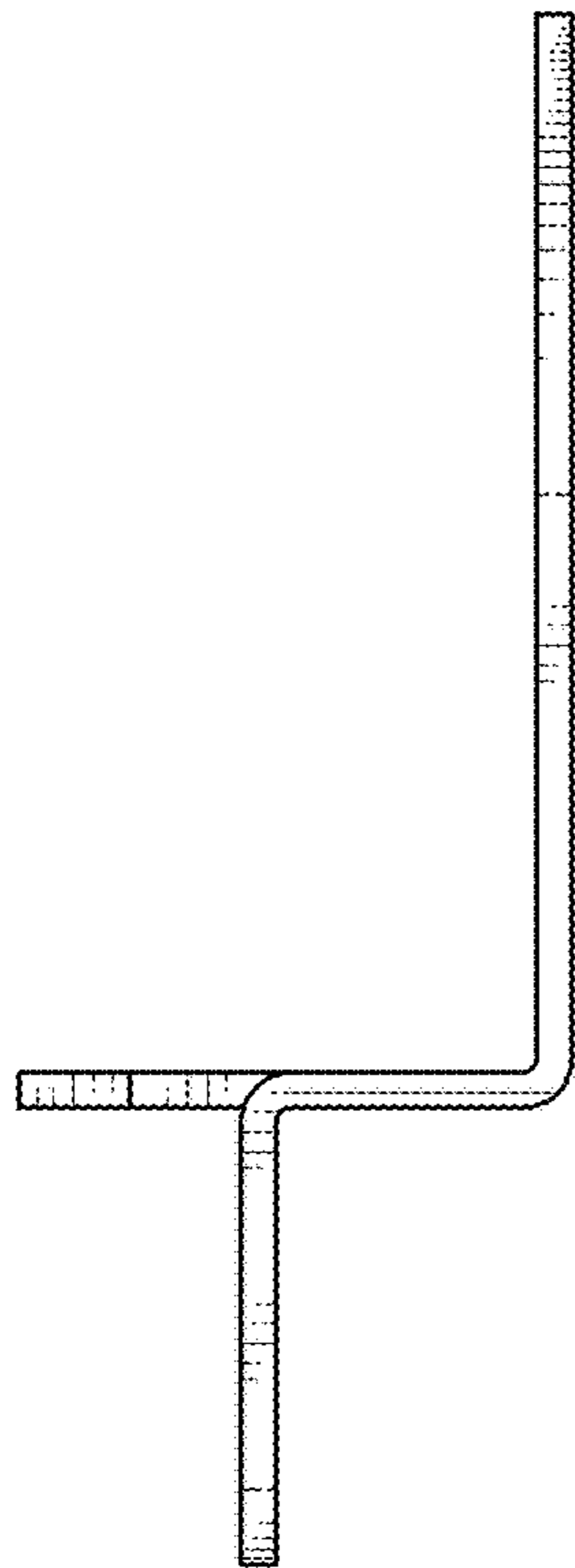


FIG. 5

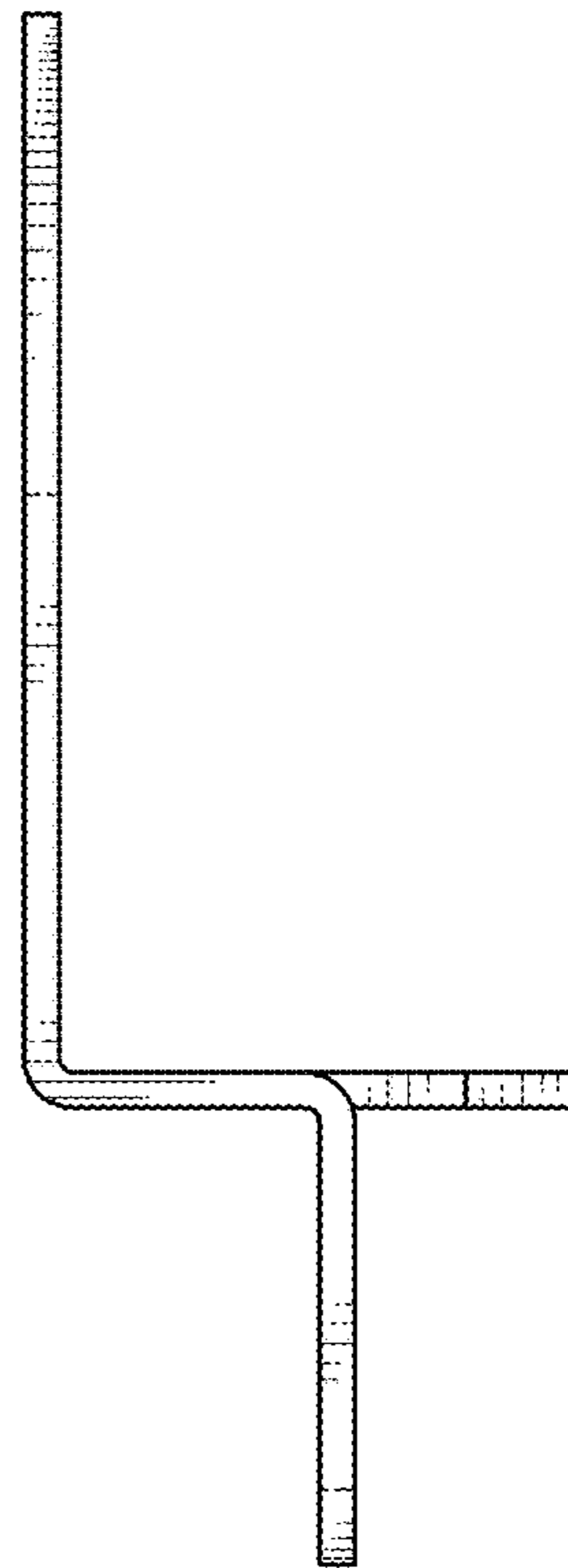


FIG. 6

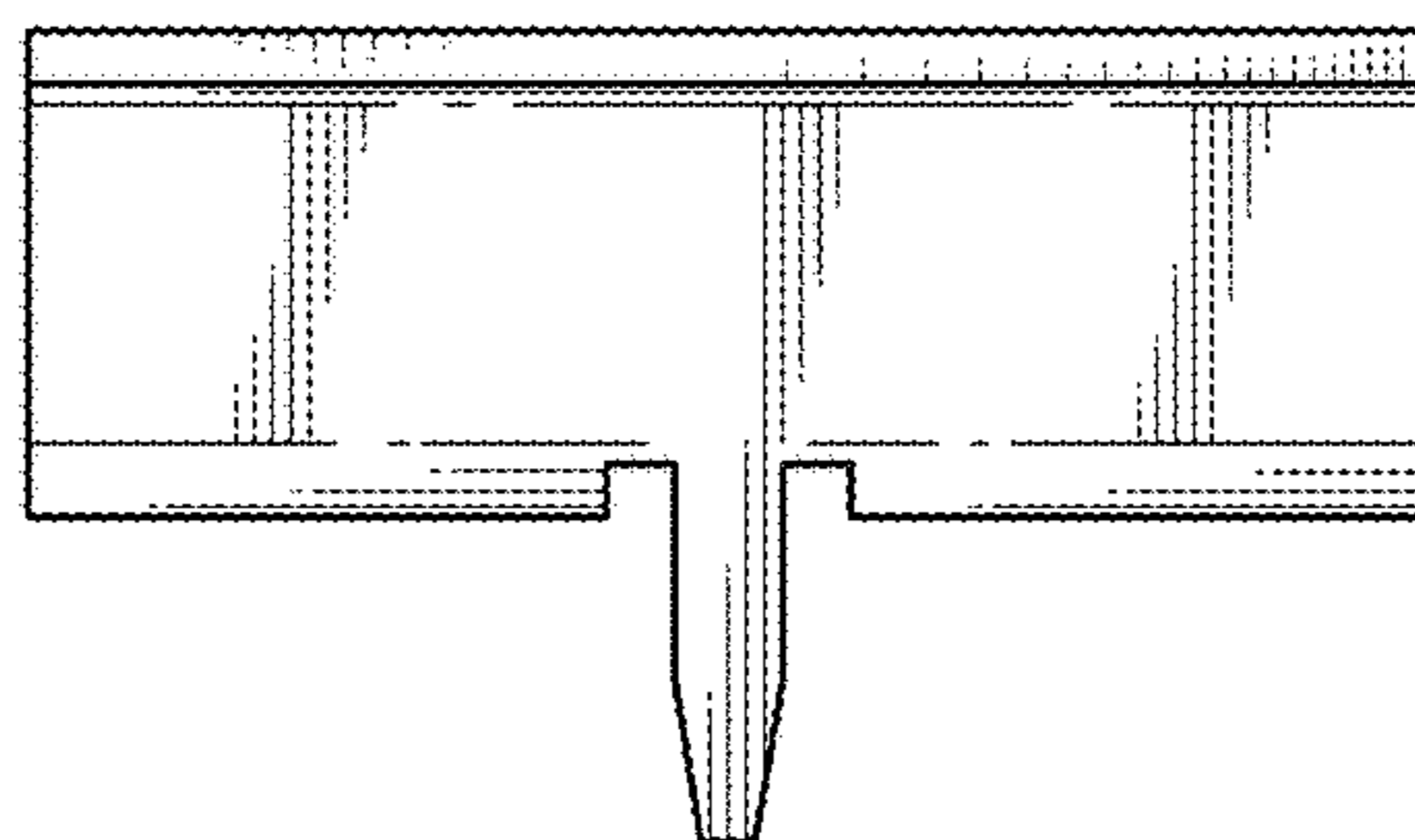


FIG. 7

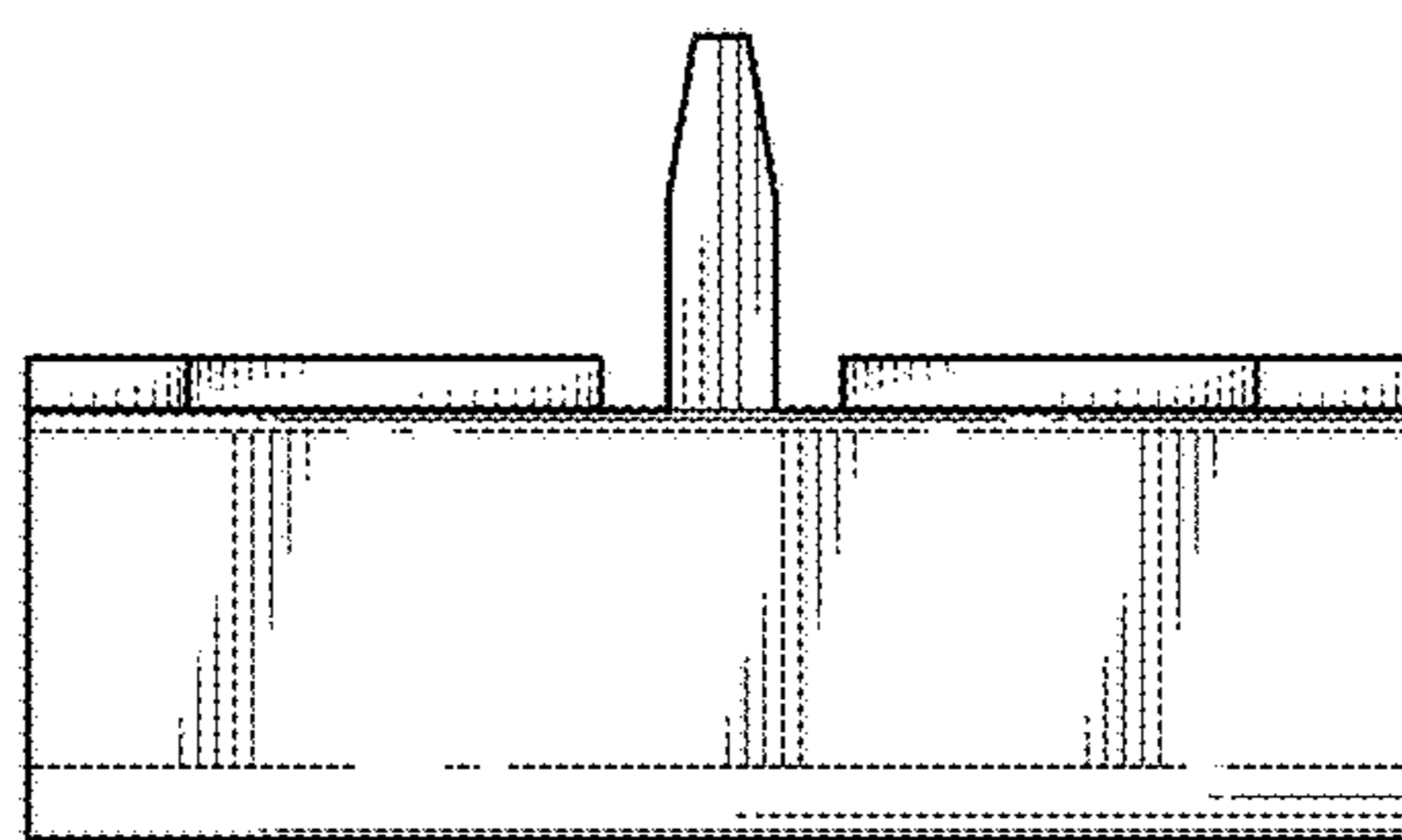


FIG. 8

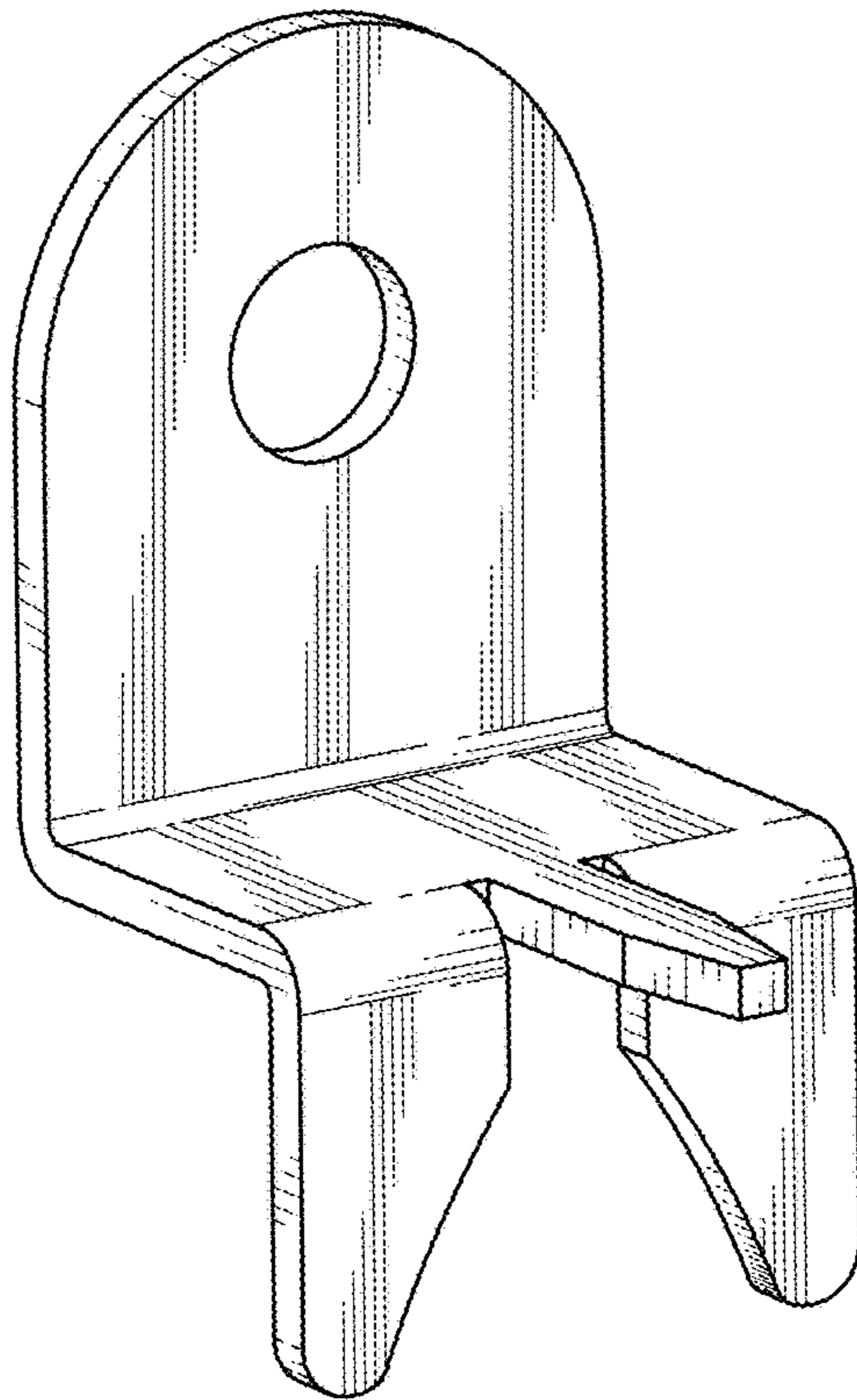


FIG. 9

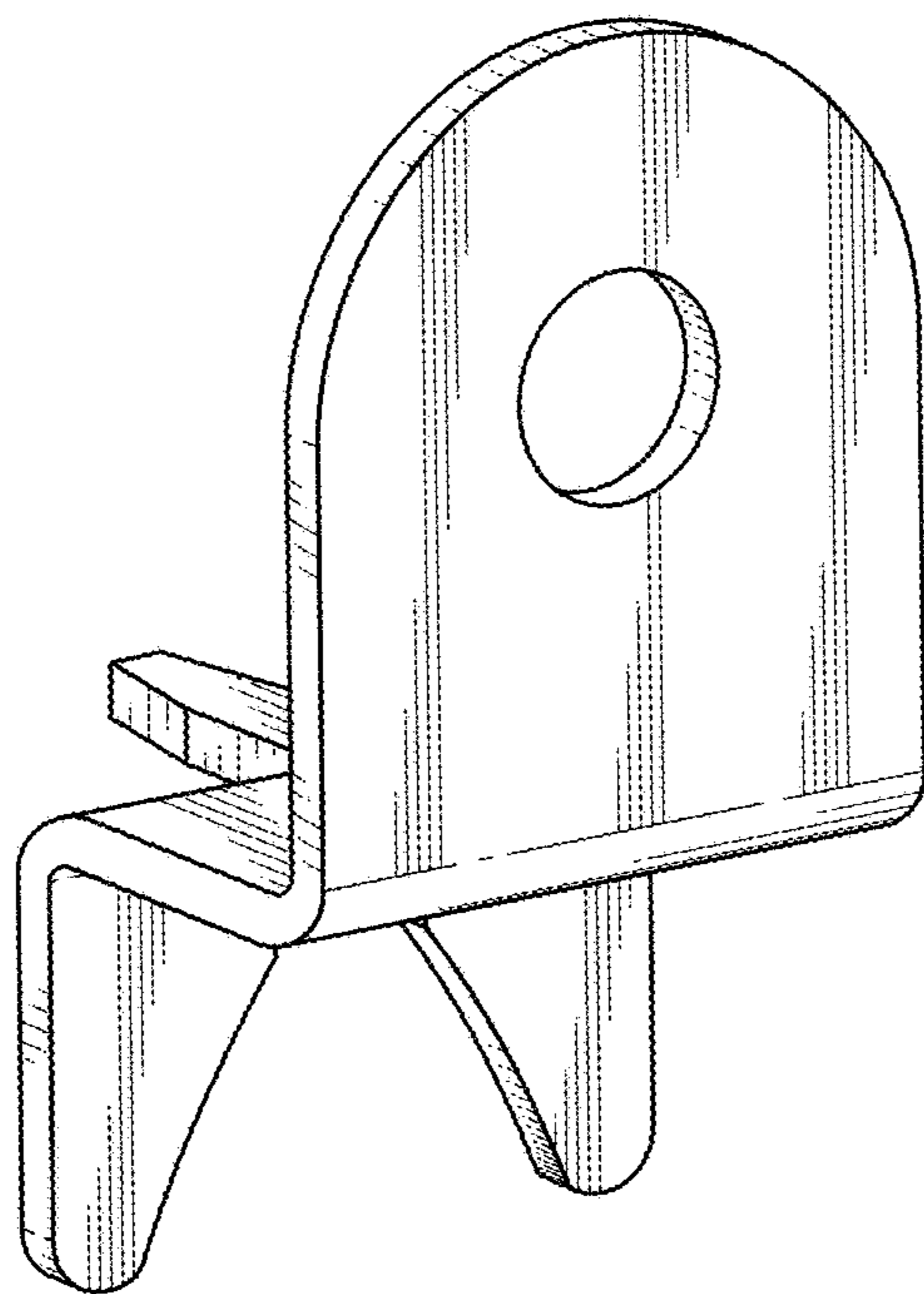


FIG. 10

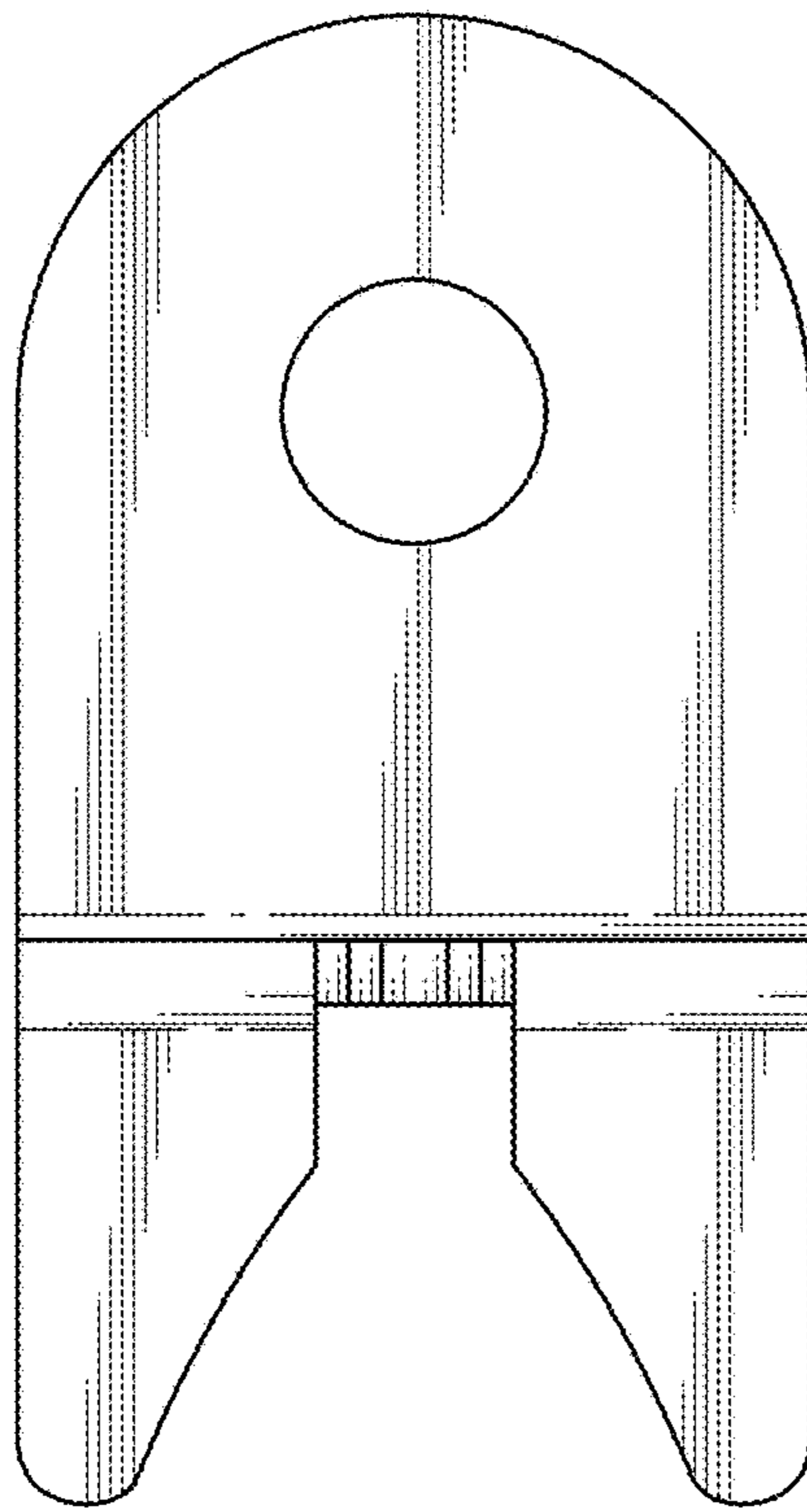


FIG. 11

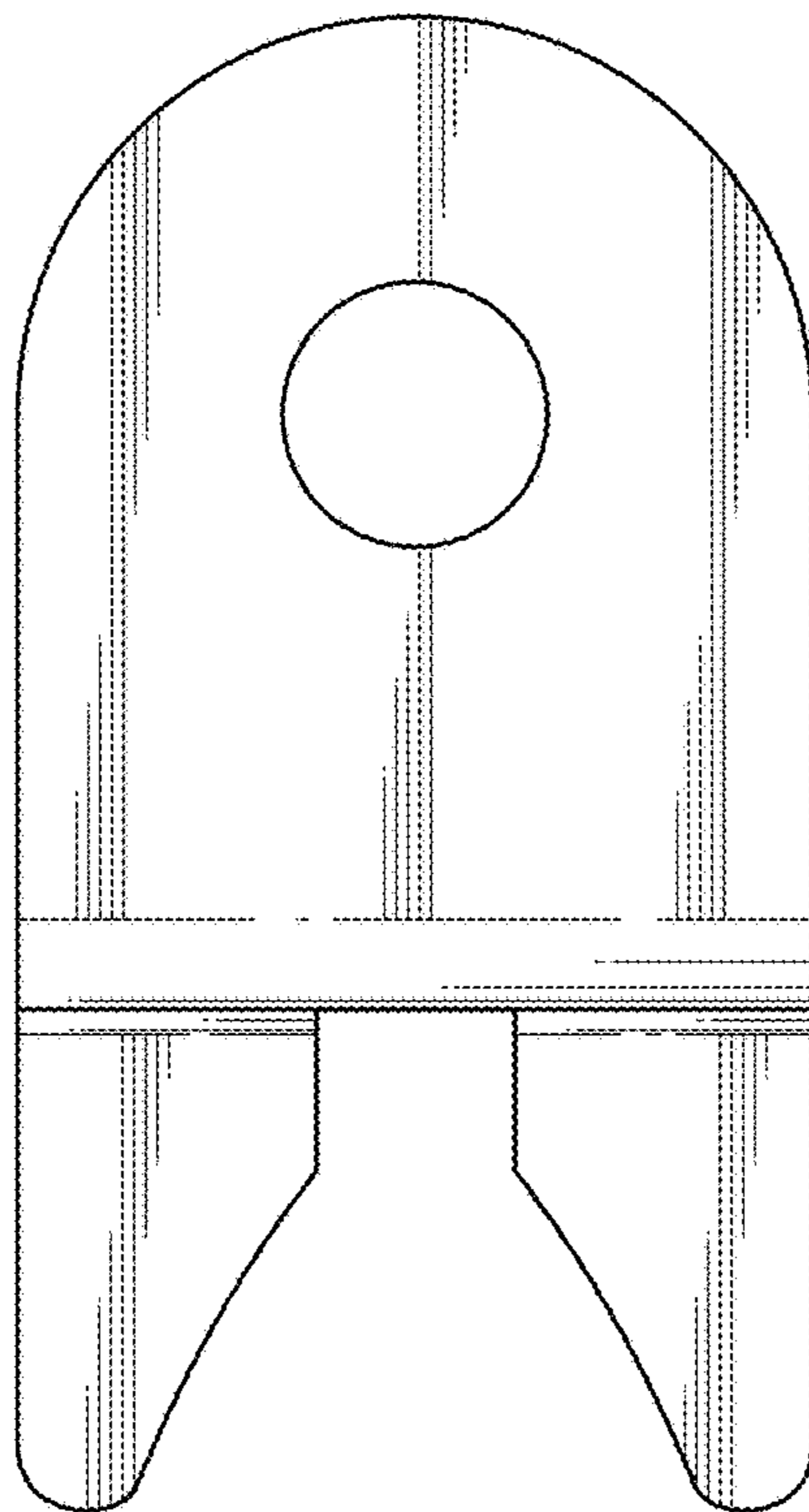


FIG. 12

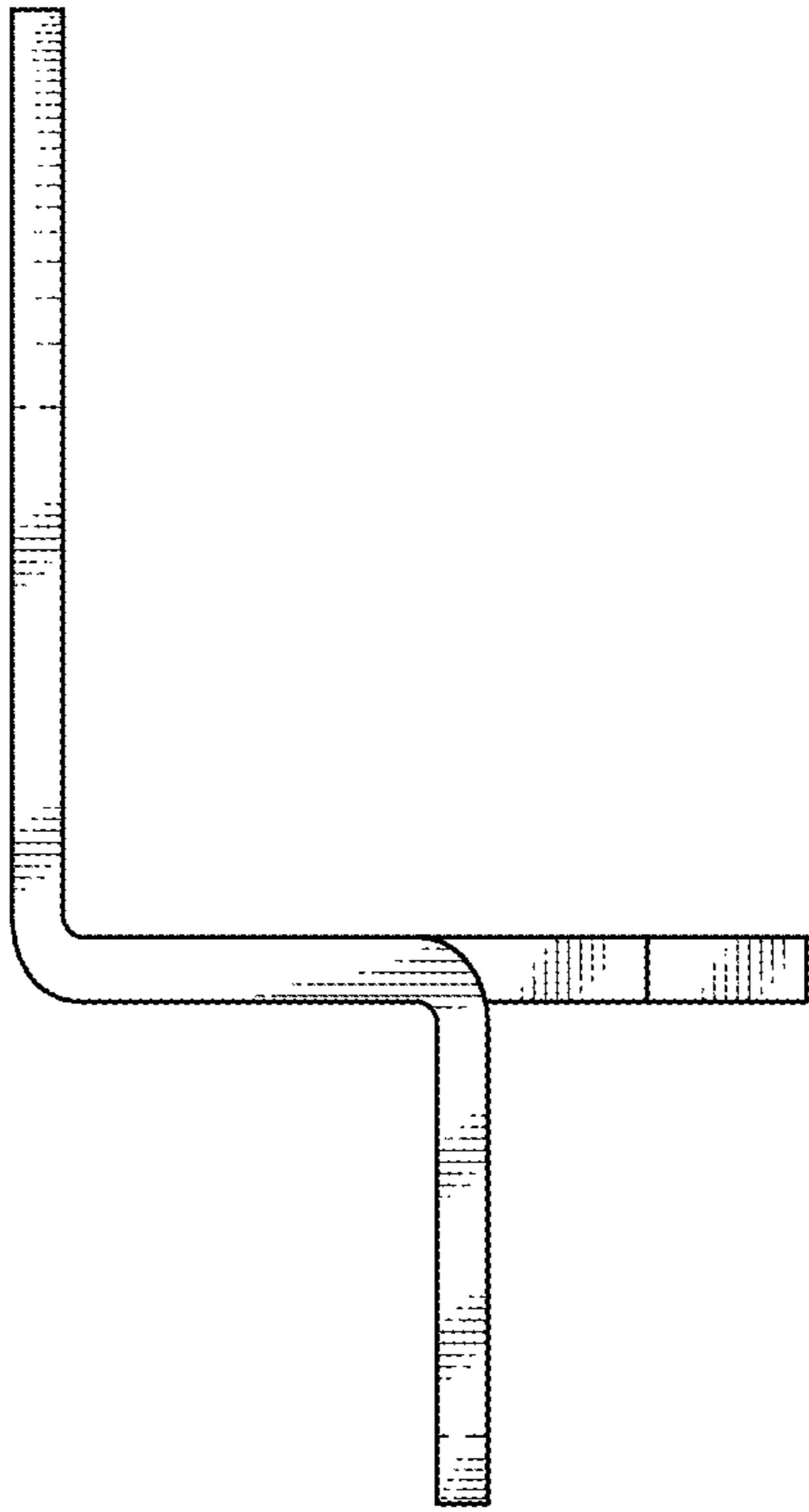


FIG. 13

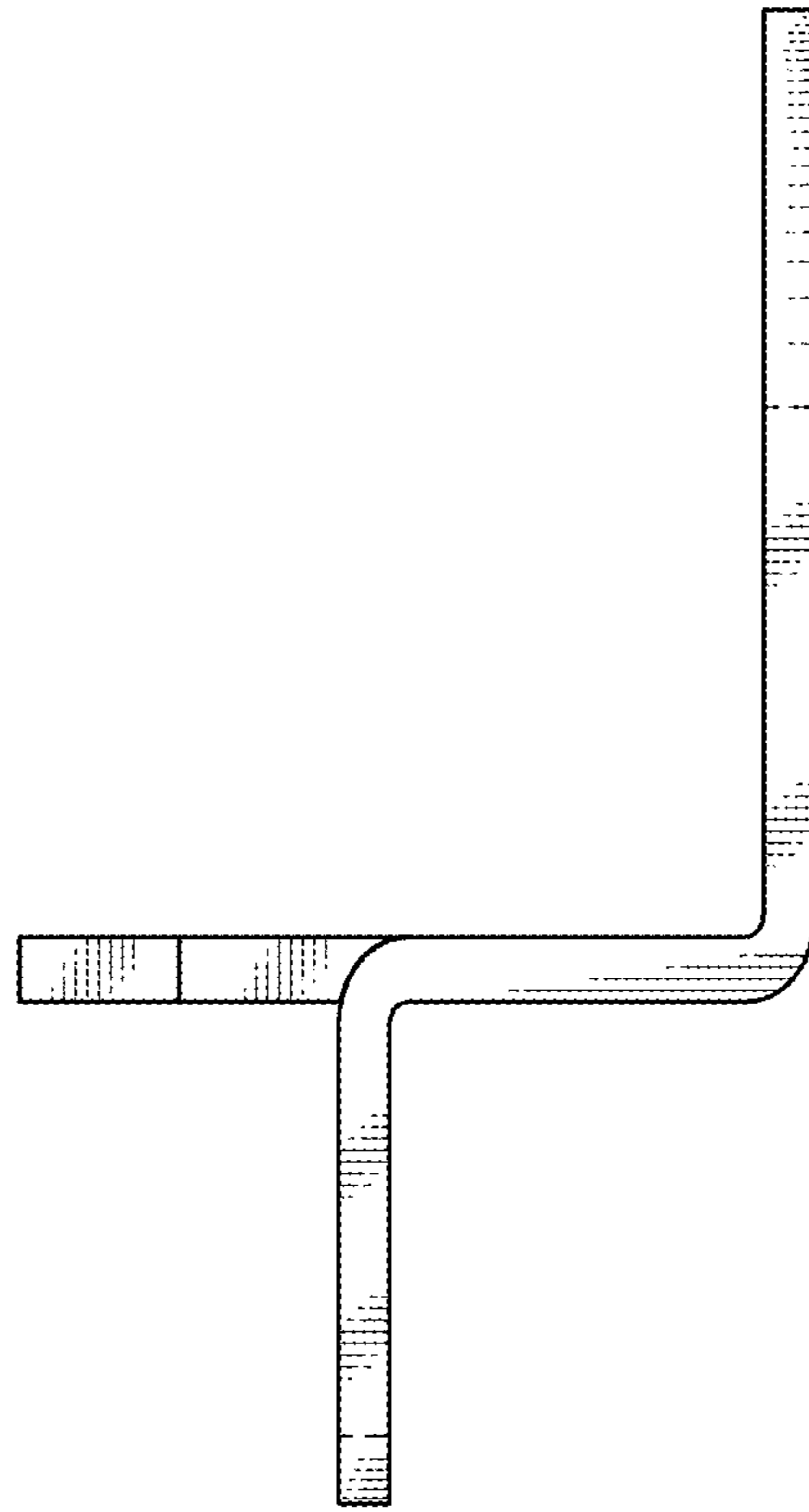


FIG. 14

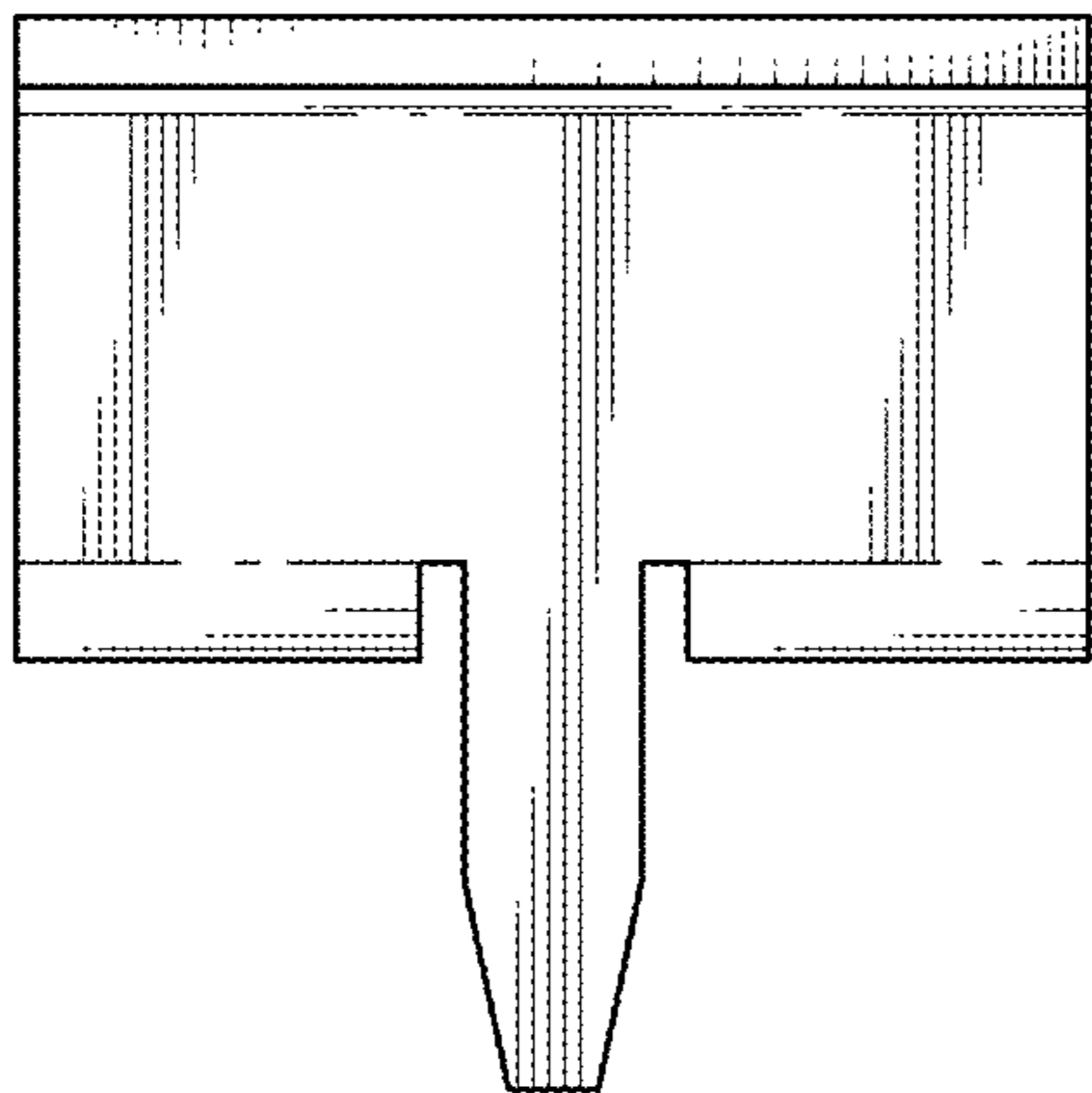


FIG. 15

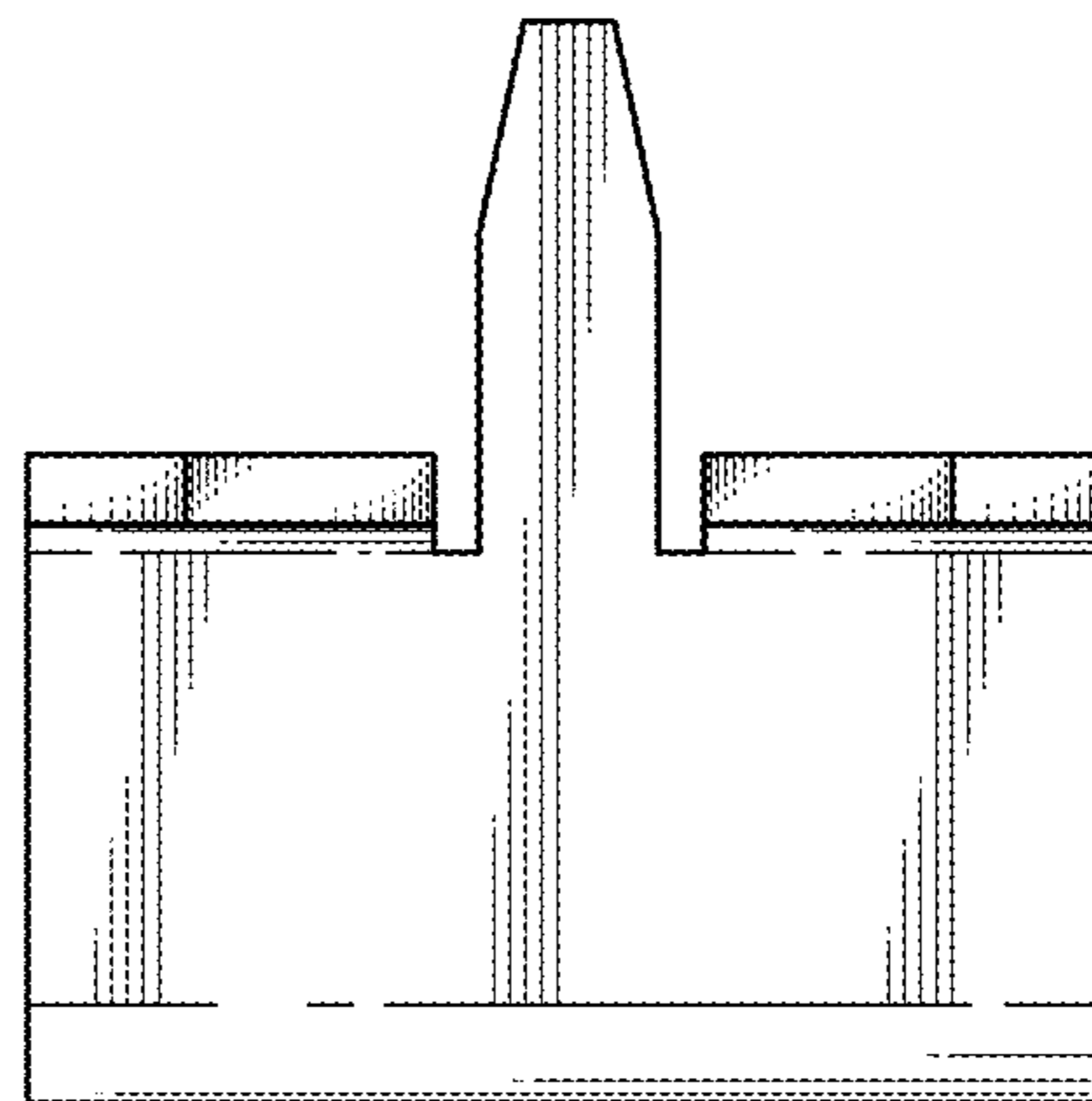


FIG. 16



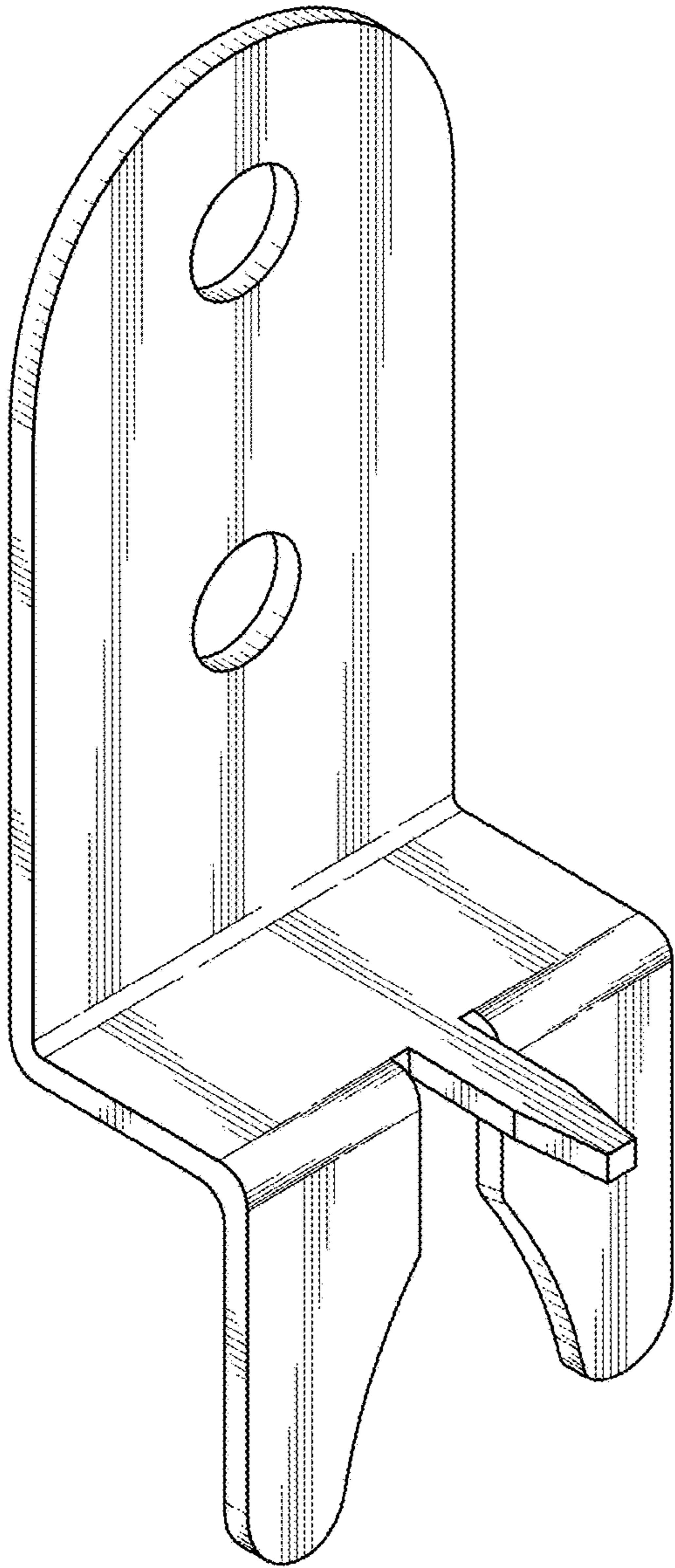


FIG. 17

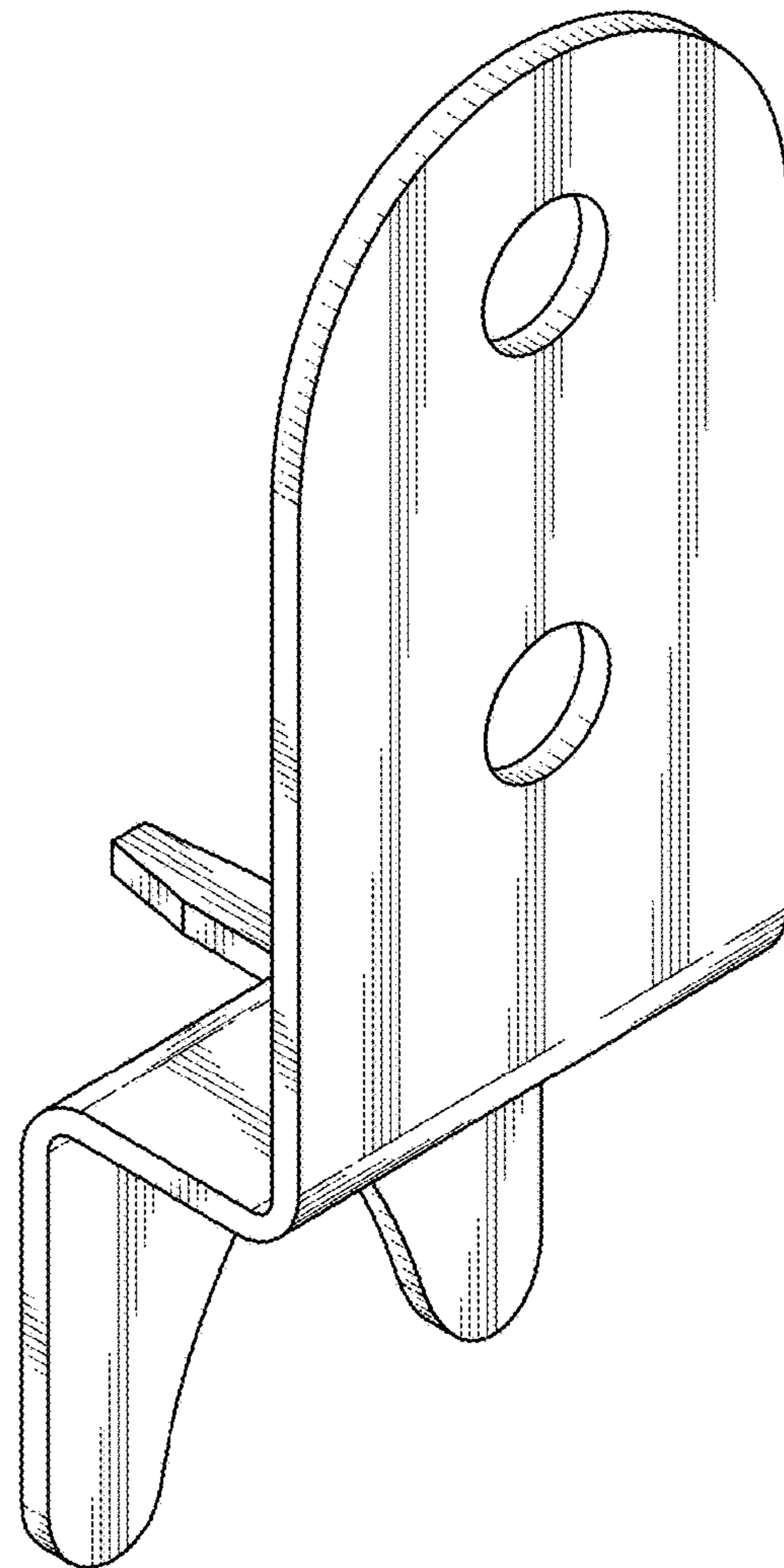


FIG. 18

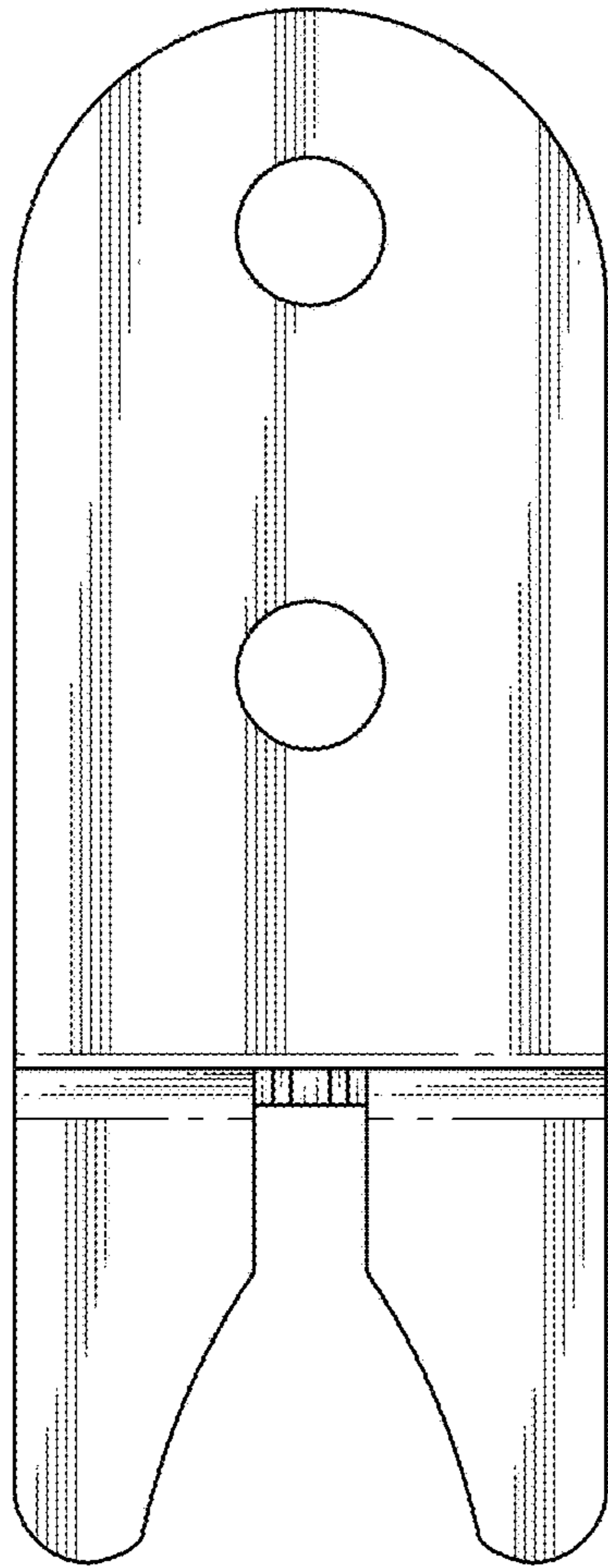


FIG. 19

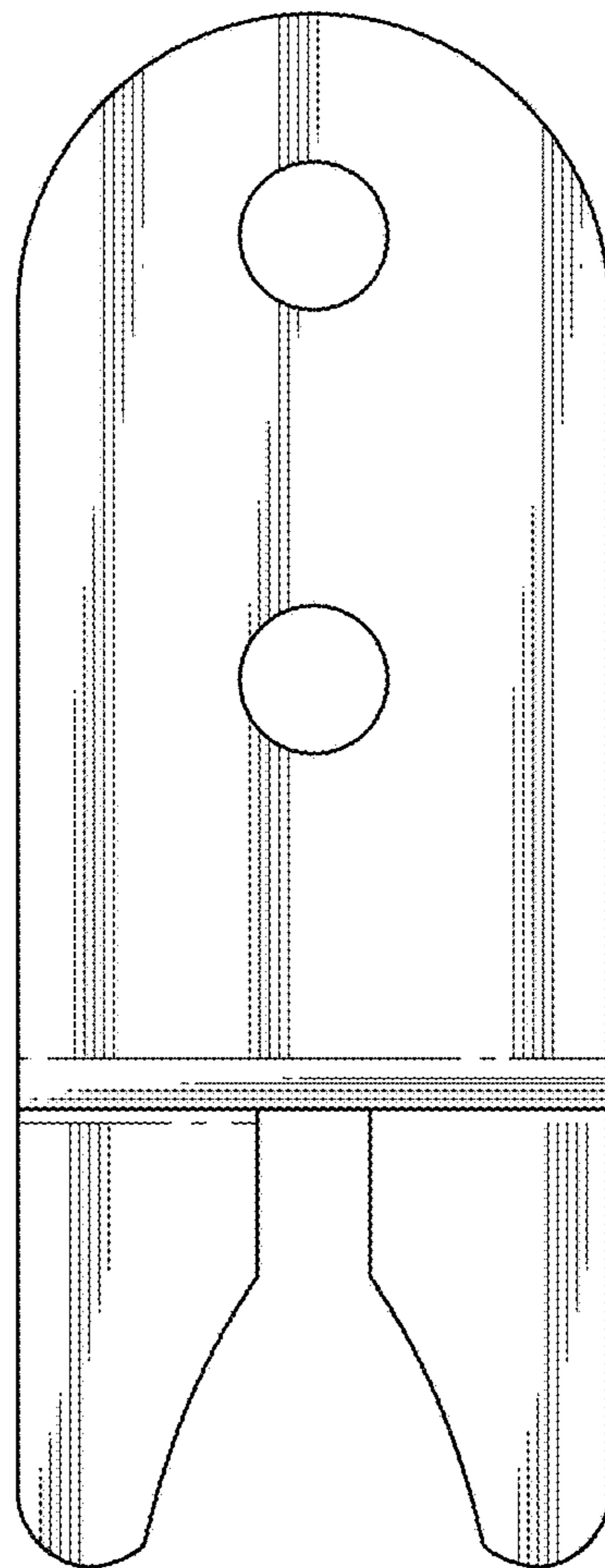


FIG. 20

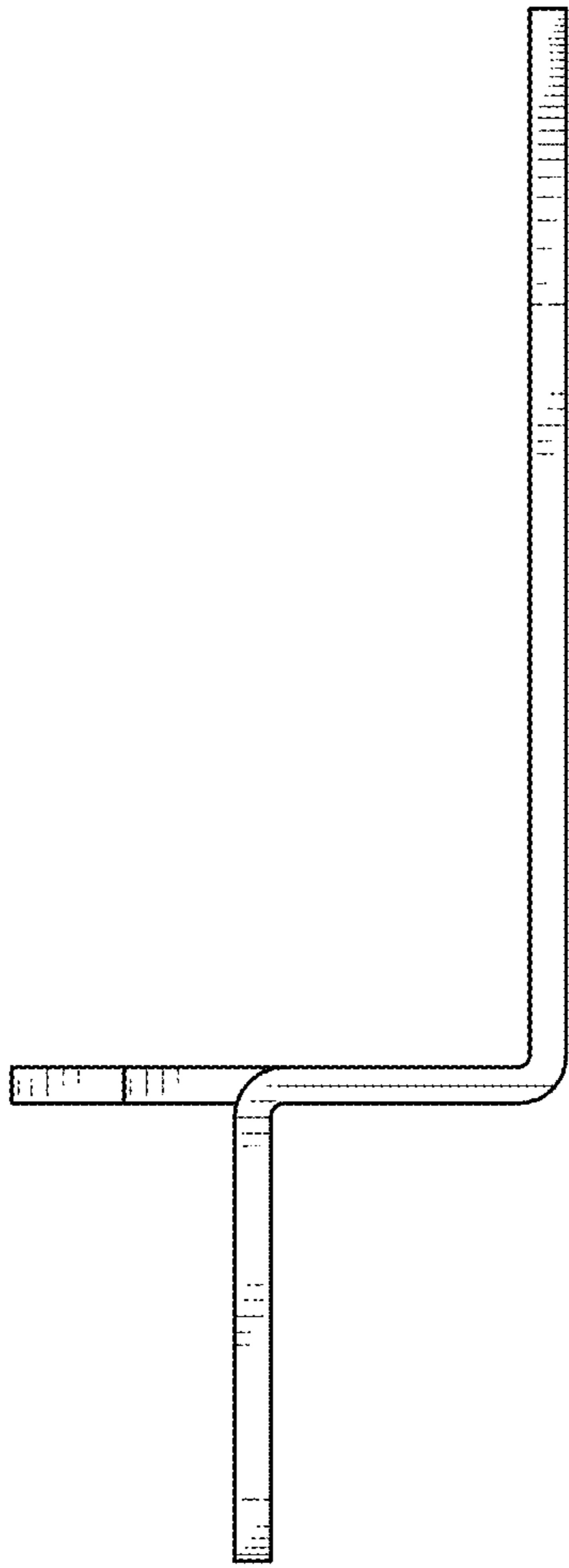


FIG. 21

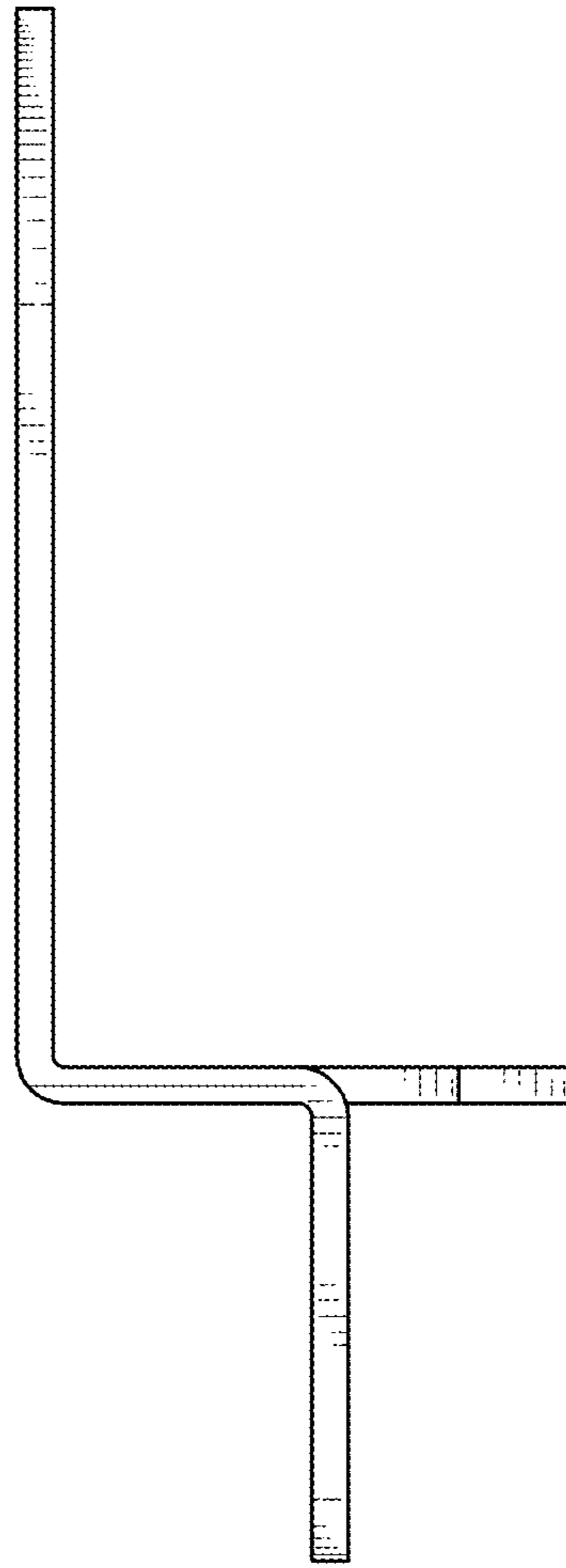


FIG. 22

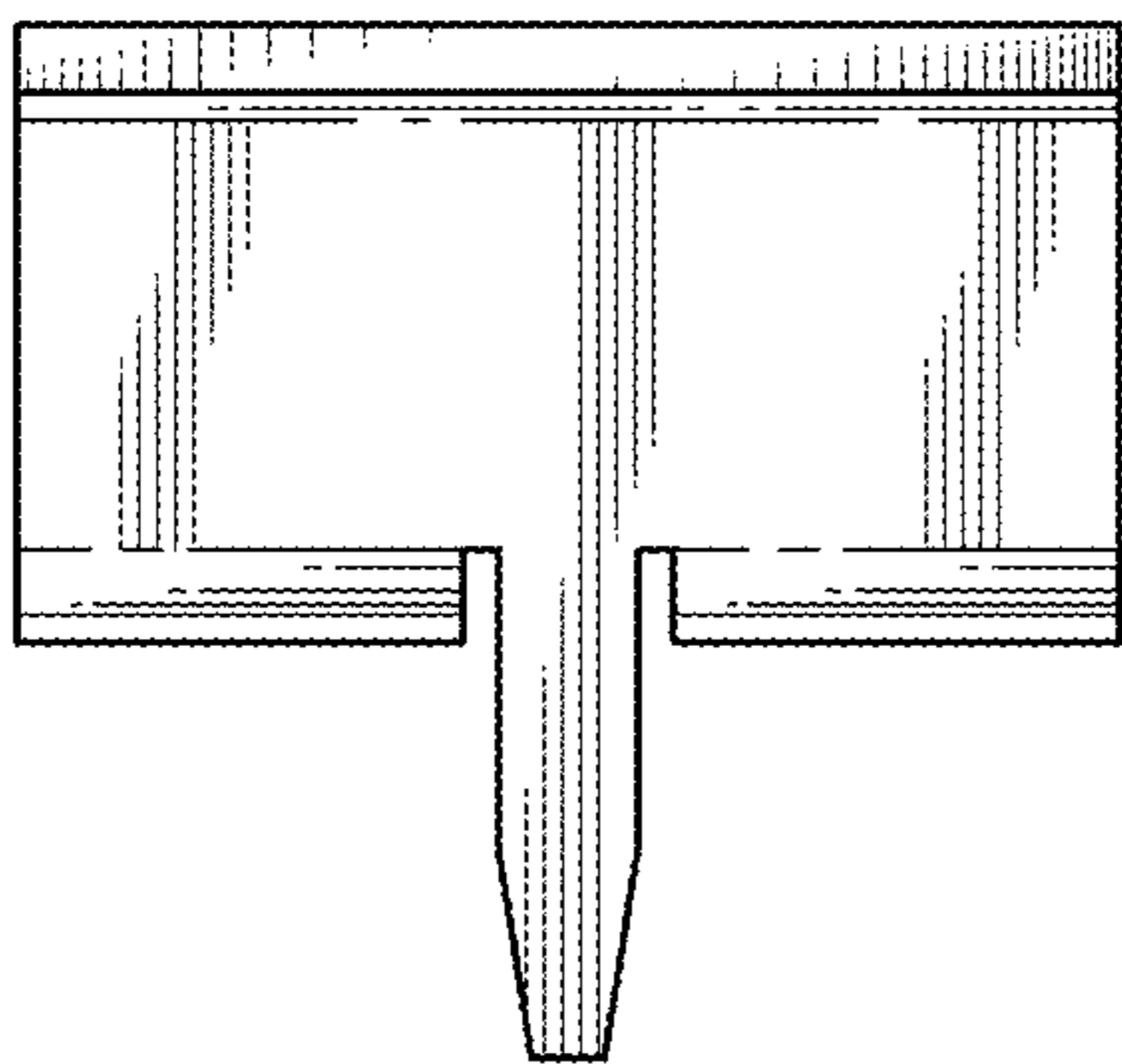


FIG. 23

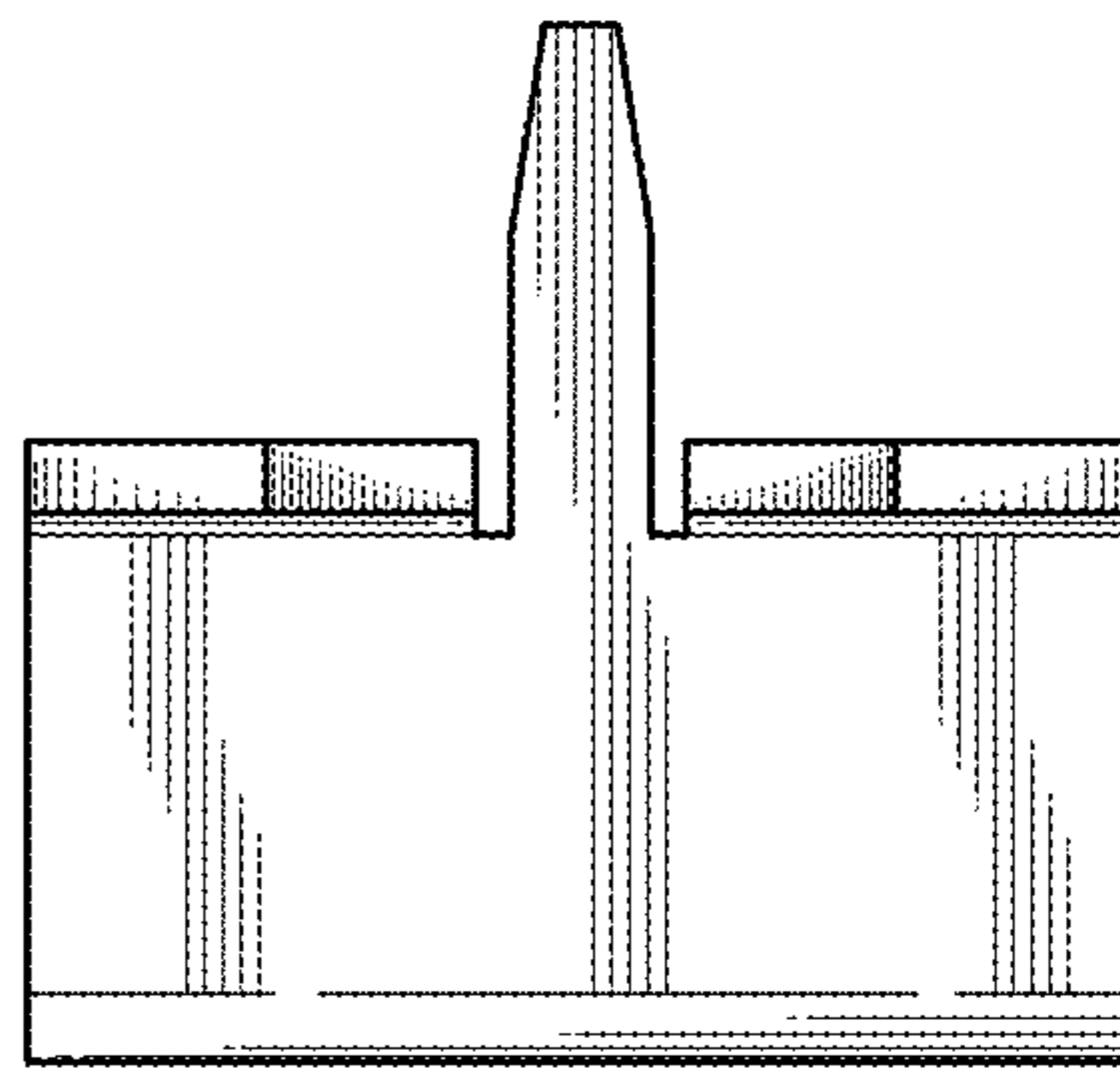


FIG. 24