



US00D833261S

(12) **United States Design Patent**
Kanenari

(10) **Patent No.:** **US D833,261 S**

(45) **Date of Patent:** **** Nov. 13, 2018**

(54) **CORD WINDER**

(71) Applicant: **THE YOKOHAMA RUBBER CO., LTD.**, Minato-ku, Tokyo (JP)

(72) Inventor: **Daisuke Kanenari**, Hiratsuka (JP)

(73) Assignee: **THE YOKOHAMA RUBBER CO., LTD.**, Minato-ku, Tokyo (JP)

(**) Term: **15 Years**

(21) Appl. No.: **29/617,540**

(22) Filed: **Sep. 14, 2017**

(30) **Foreign Application Priority Data**

Mar. 14, 2017 (JP) 2017-005133

(51) **LOC (11) Cl.** **09-06**

(52) **U.S. Cl.**
USPC **D8/356**

(58) **Field of Classification Search**
USPC D8/367, 356, 354, 349
CPC B65H 57/16; B63B 21/045
See application file for complete search history.

(56) **References Cited**

U.S. PATENT DOCUMENTS

8,602,370 B2 * 12/2013 McKenzie A47G 25/1464
248/215
D708,044 S * 7/2014 Komeno D8/356

D732,929 S * 6/2015 Harrow D8/354
D733,534 S * 7/2015 Altrichter D8/356
D736,060 S * 8/2015 Shimizu D8/349
D762,461 S * 8/2016 Kirkham D8/356
D786,048 S * 5/2017 Grewal H04R 1/1033
D807,729 S * 1/2018 Willshare D8/356
D808,250 S * 1/2018 Chang D8/356
D809,901 S * 2/2018 Cardinali D8/356
D815,936 S * 4/2018 Naslund D8/356
D817,743 S * 5/2018 VanDeusen D8/354
D820,069 S * 6/2018 Hack D8/367

* cited by examiner

Primary Examiner — Cynthia R Underwood

(74) *Attorney, Agent, or Firm* — Banner & Witcoff, Ltd.

(57) **CLAIM**

The ornamental design for a cord winder, as shown and described.

DESCRIPTION

FIG. 1 is a first perspective view of a cord winder according to my design showing front side, top side and right side; FIG. 2 is a second perspective view thereof showing front side, bottom side and right side; FIG. 3 is a front view thereof; FIG. 4 is a rear view thereof; FIG. 5 is a right side view thereof; the left side view being a mirror image thereof; FIG. 6 is a top side view thereof; and, FIG. 7 is a bottom view thereof.

1 Claim, 7 Drawing Sheets

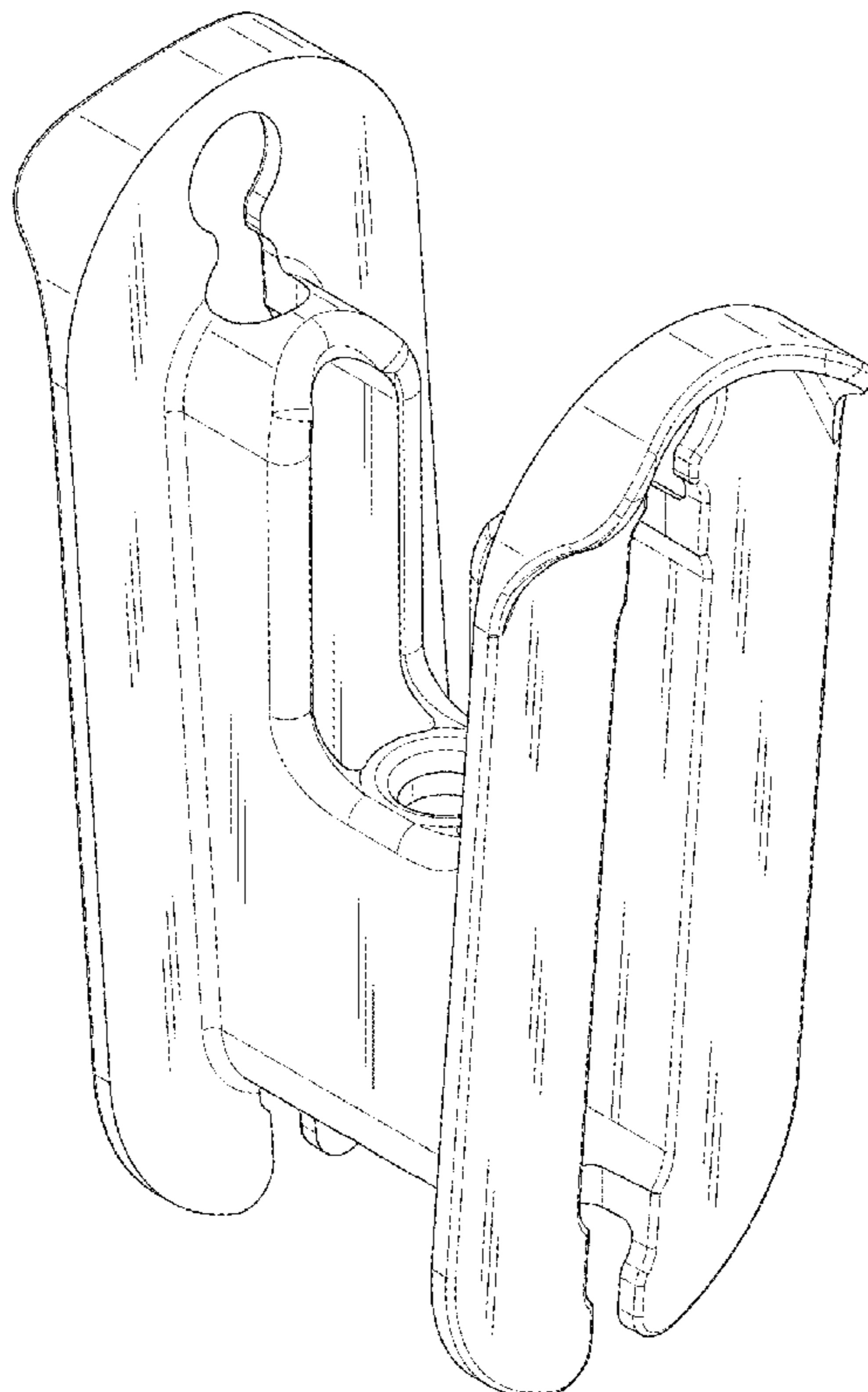


Fig. 1

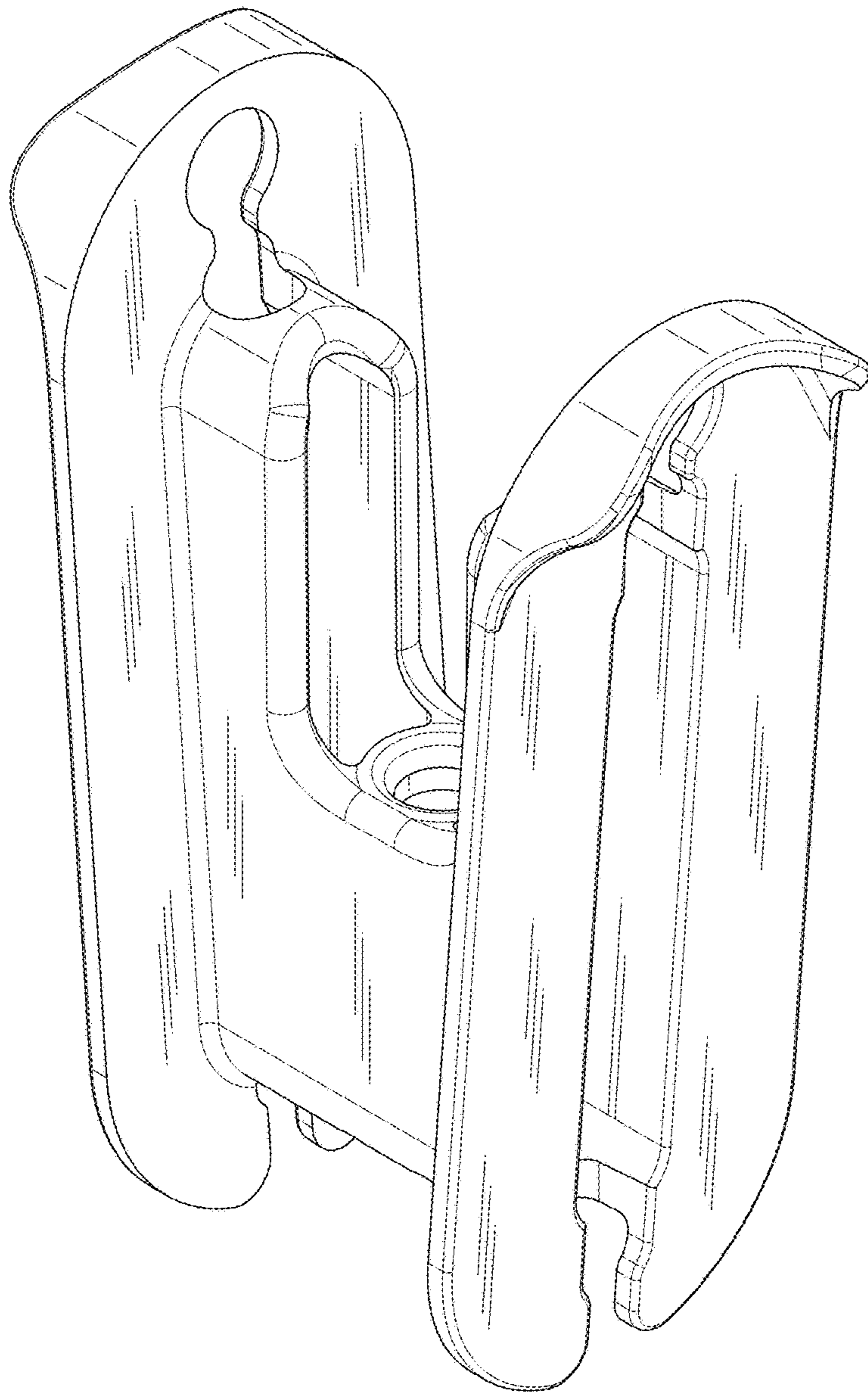


Fig. 2



Fig. 3

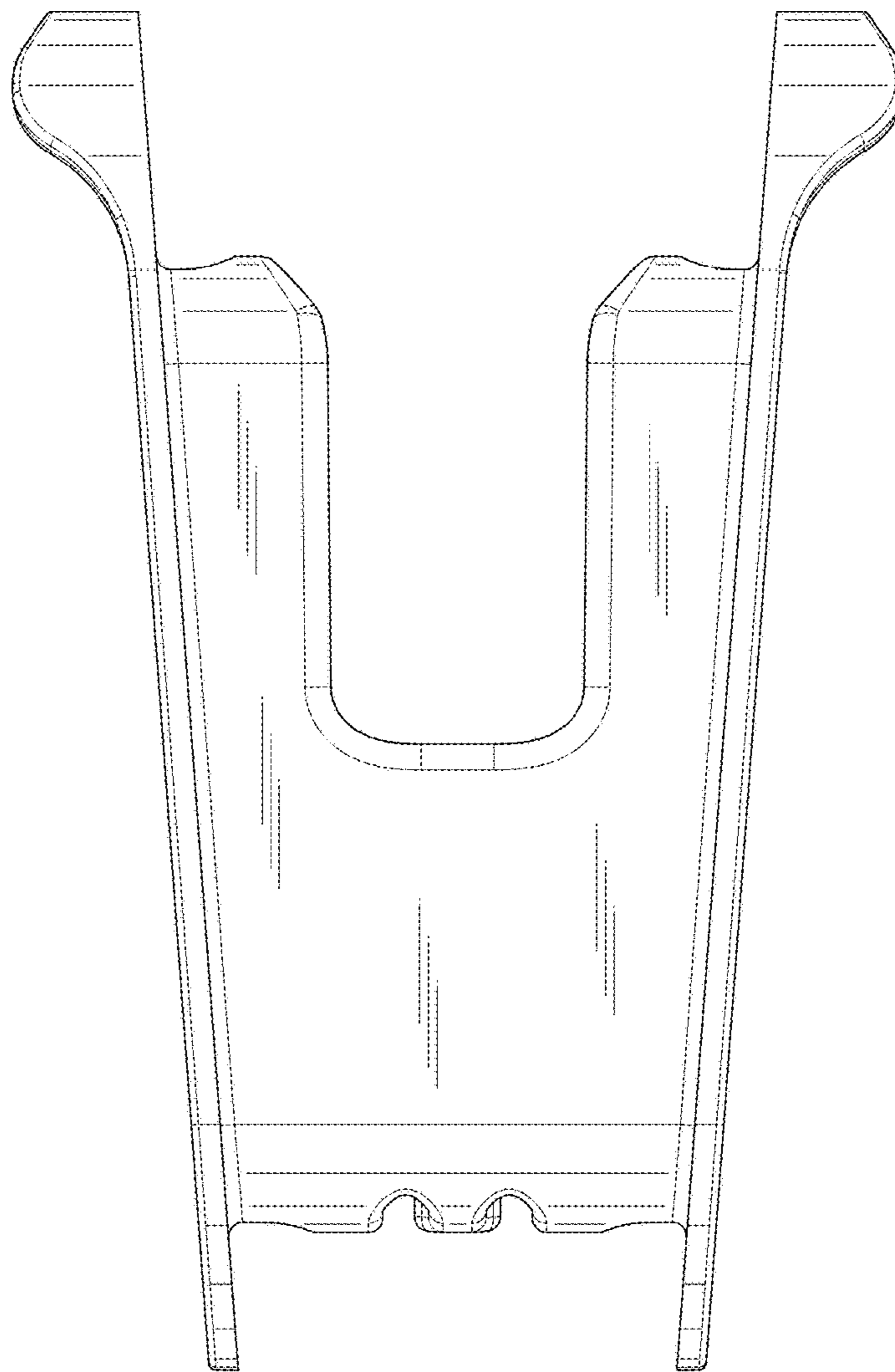


Fig. 4

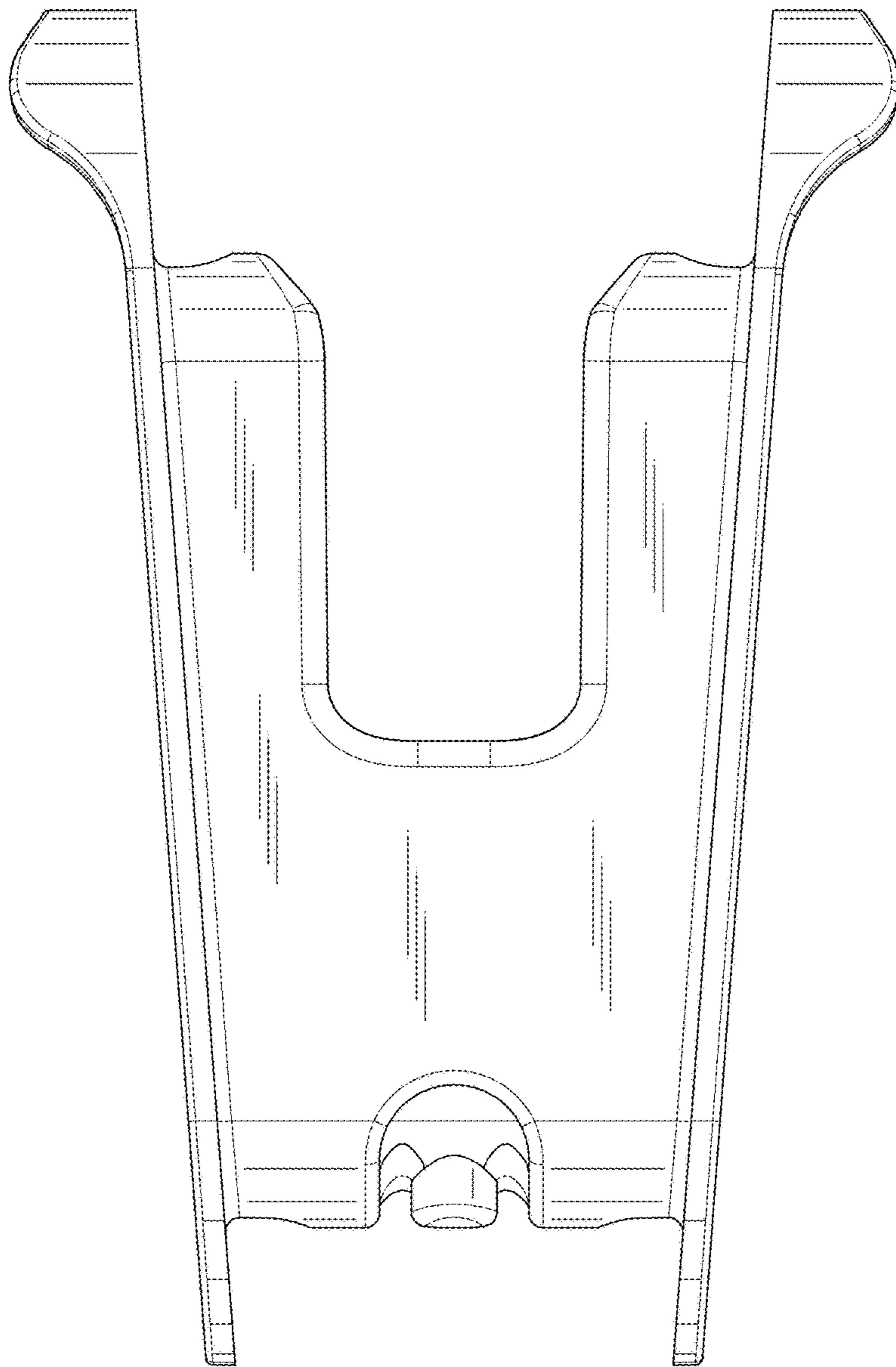


Fig. 5

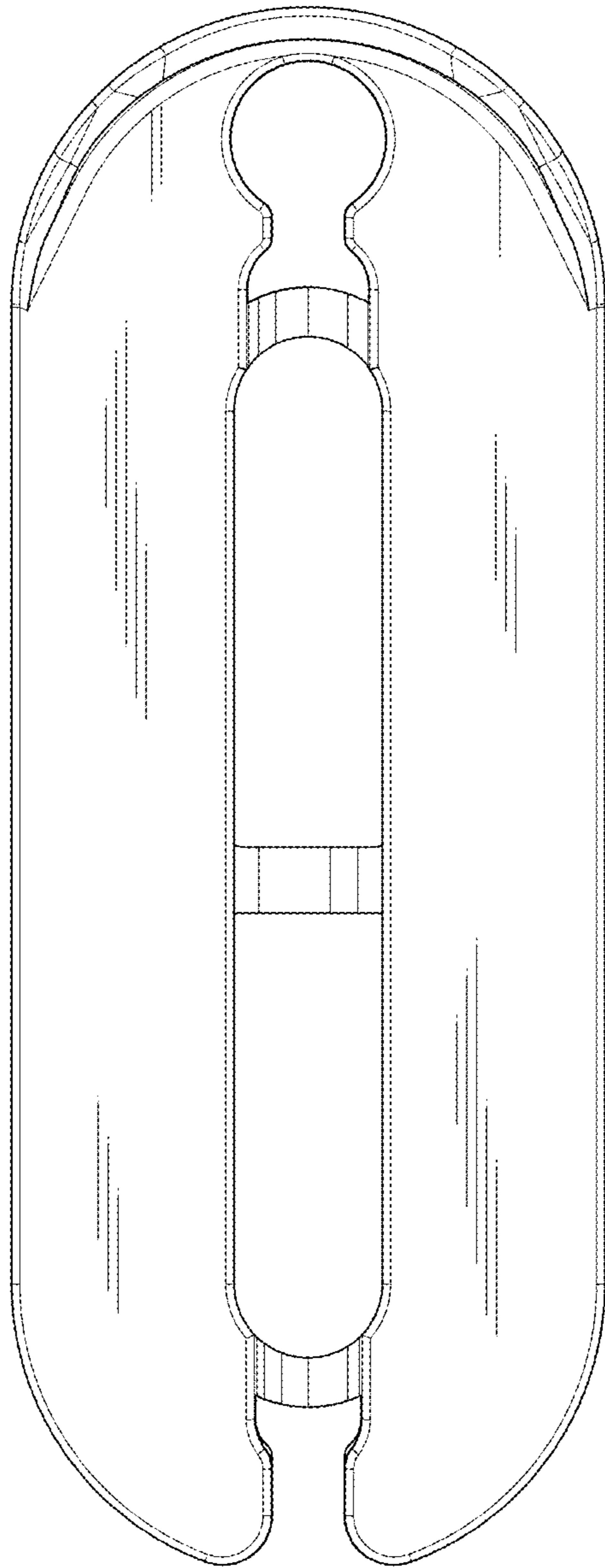


Fig. 6

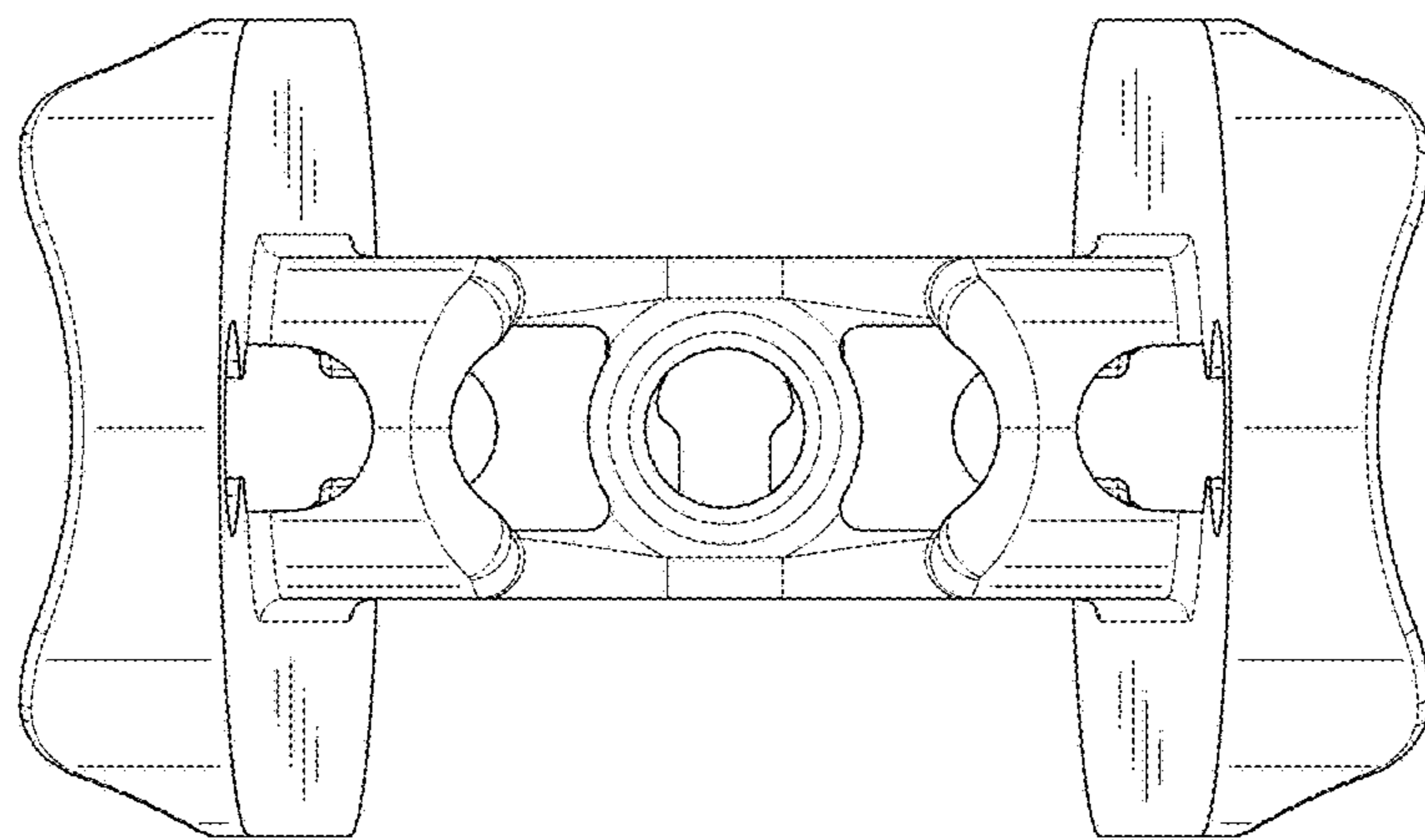


Fig. 7

