



US00D833256S

(12) **United States Design Patent**
Lee et al.

(10) **Patent No.:** **US D833,256 S**
(45) **Date of Patent:** **** Nov. 13, 2018**

- (54) **PADLOCK**
- (71) Applicant: **JMTEK, LLC**, Kent, WA (US)
- (72) Inventors: **Kyu Bong Lee**, Kent, WA (US); **Tai Yiu Ly**, Kent, WA (US)
- (73) Assignee: **JMTEK, LLC**, Kent, WA (US)
- (**) Term: **15 Years**
- (21) Appl. No.: **29/607,522**
- (22) Filed: **Jun. 14, 2017**
- (51) **LOC (11) Cl.** **08-07**
- (52) **U.S. Cl.**
USPC **D8/334**
- (58) **Field of Classification Search**
USPC D8/300–302, 324, 330, 331, 333, 334,
D8/339, 343, 349; 292/348, 350; 70/14,
70/158, 160, 448, 452, 466
CPC E05B 1/0007; E05B 27/00; E05B 37/22;
E05B 37/08
See application file for complete search history.

- 2008/0016922 A1* 1/2008 Yu E05B 35/105
70/21
- 2008/0098774 A1* 5/2008 Huang E05B 35/105
70/21
- 2008/0223088 A1* 9/2008 Yang E05B 35/105
70/21
- 2009/0151402 A1* 6/2009 Lee E05B 19/0005
70/25
- 2014/0352370 A1* 12/2014 Huang E05B 37/0034
70/21
- 2015/0233148 A1* 8/2015 Yu E05B 67/06
70/20
- 2016/0123040 A1* 5/2016 Hanson E05B 67/38
70/56

* cited by examiner

Primary Examiner — Rosemary K Tarcza
Assistant Examiner — Yolanda Robinson
(74) *Attorney, Agent, or Firm* — DWC Law Firm, P.S.;
David Chen

(57) **CLAIM**

The ornamental design for a padlock, as shown and described.

DESCRIPTION

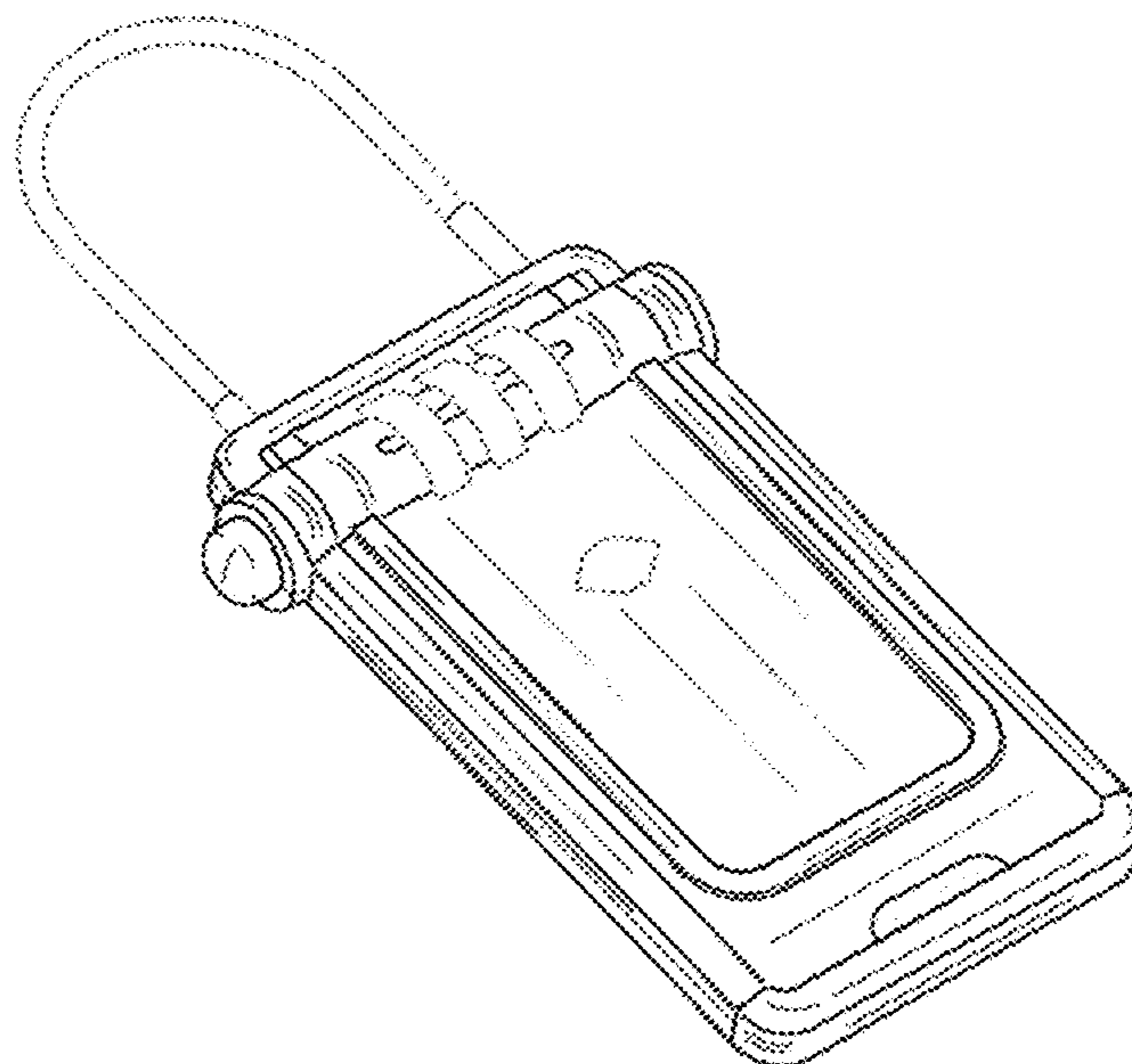
FIG. 1 is a front perspective view of a padlock, showing our new design.
FIG. 2 is a rear perspective view thereof.
FIG. 3 is a front side elevation view thereof.
FIG. 4 is a back side elevation view thereof.
FIG. 5 is a left side elevation view thereof.
FIG. 6 is a right side elevation view thereof.
FIG. 7 is a top plan view thereof; and,
FIG. 8 is a bottom plan view thereof.
The broken lines shown in the drawings illustrate portions of the padlock which form no part of the claimed design.

1 Claim, 7 Drawing Sheets

(56) **References Cited**

U.S. PATENT DOCUMENTS

- 6,513,349 B1* 2/2003 Miao A45C 13/42
206/38
- D516,535 S * 3/2006 Barad D10/121
- 7,251,967 B2* 8/2007 Yang E05B 19/0005
70/25
- D575,626 S * 8/2008 Basche D8/334
- D582,753 S * 12/2008 Basche D8/334
- 9,109,379 B1* 8/2015 Ranchod E05B 67/00
- 9,194,159 B2* 11/2015 Garthe E05B 67/18
- D803,028 S * 11/2017 Lee D8/334
- 2007/0180873 A1* 8/2007 Yen A45C 13/12
70/63



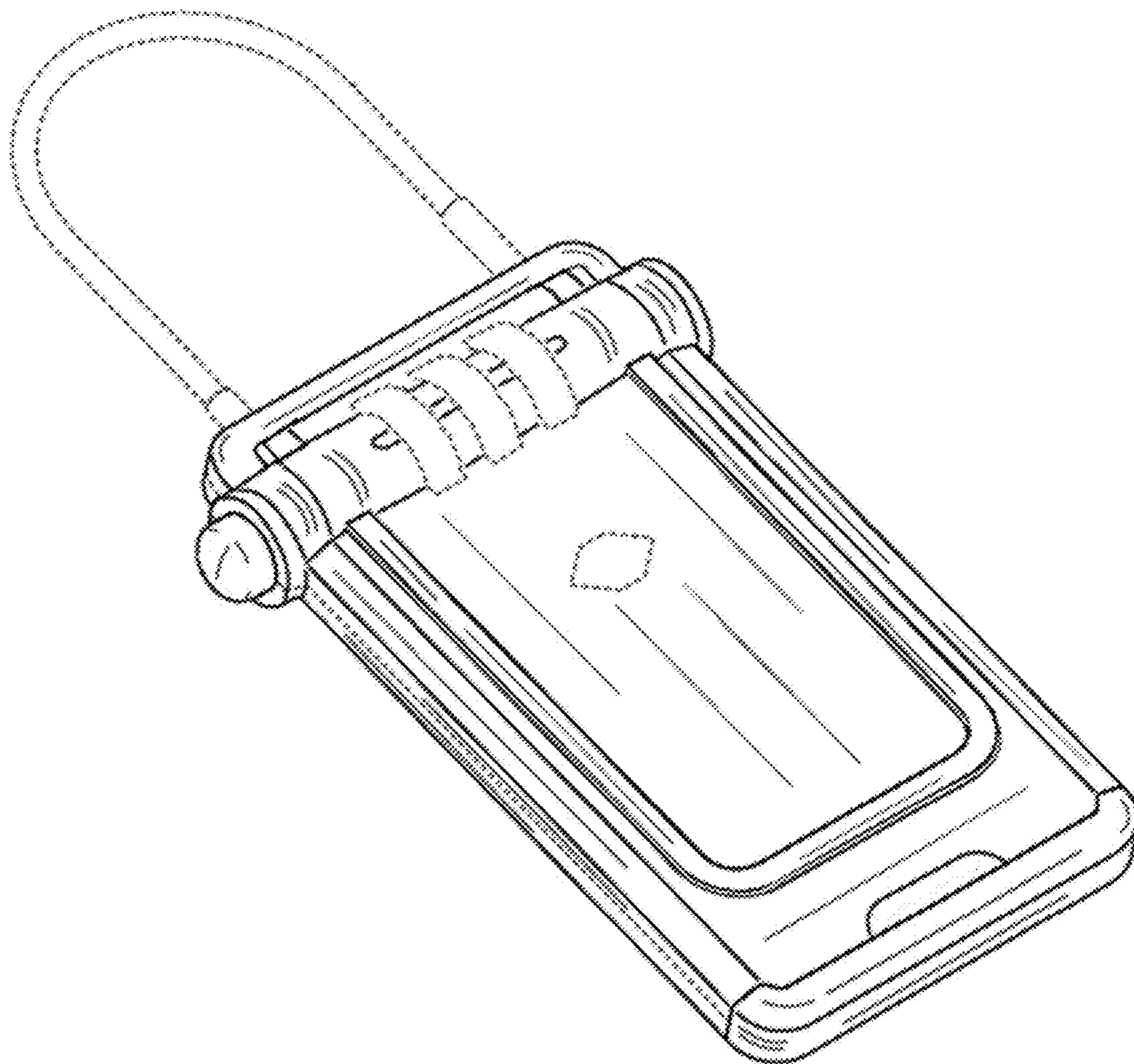


FIG. 1

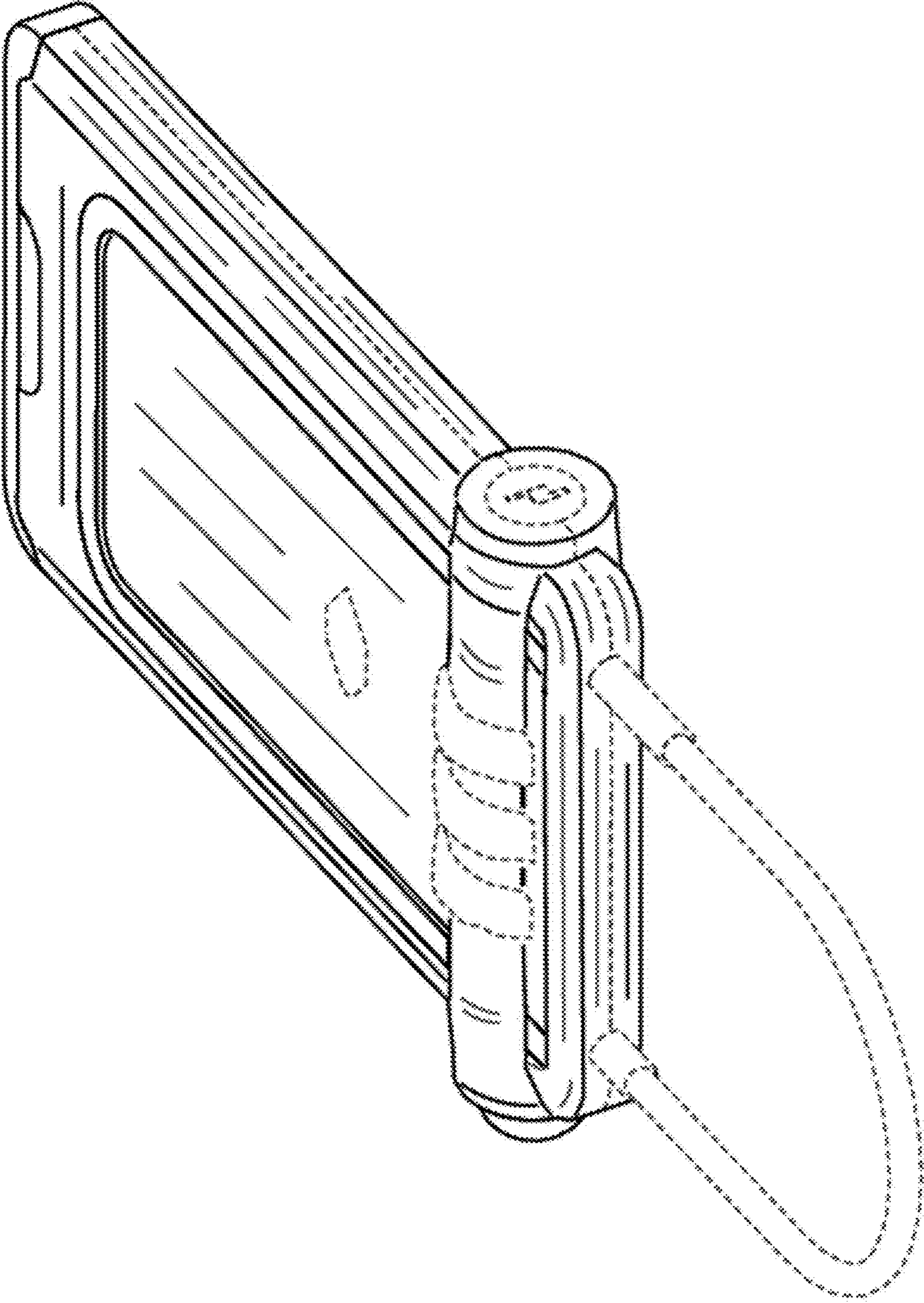


FIG. 2

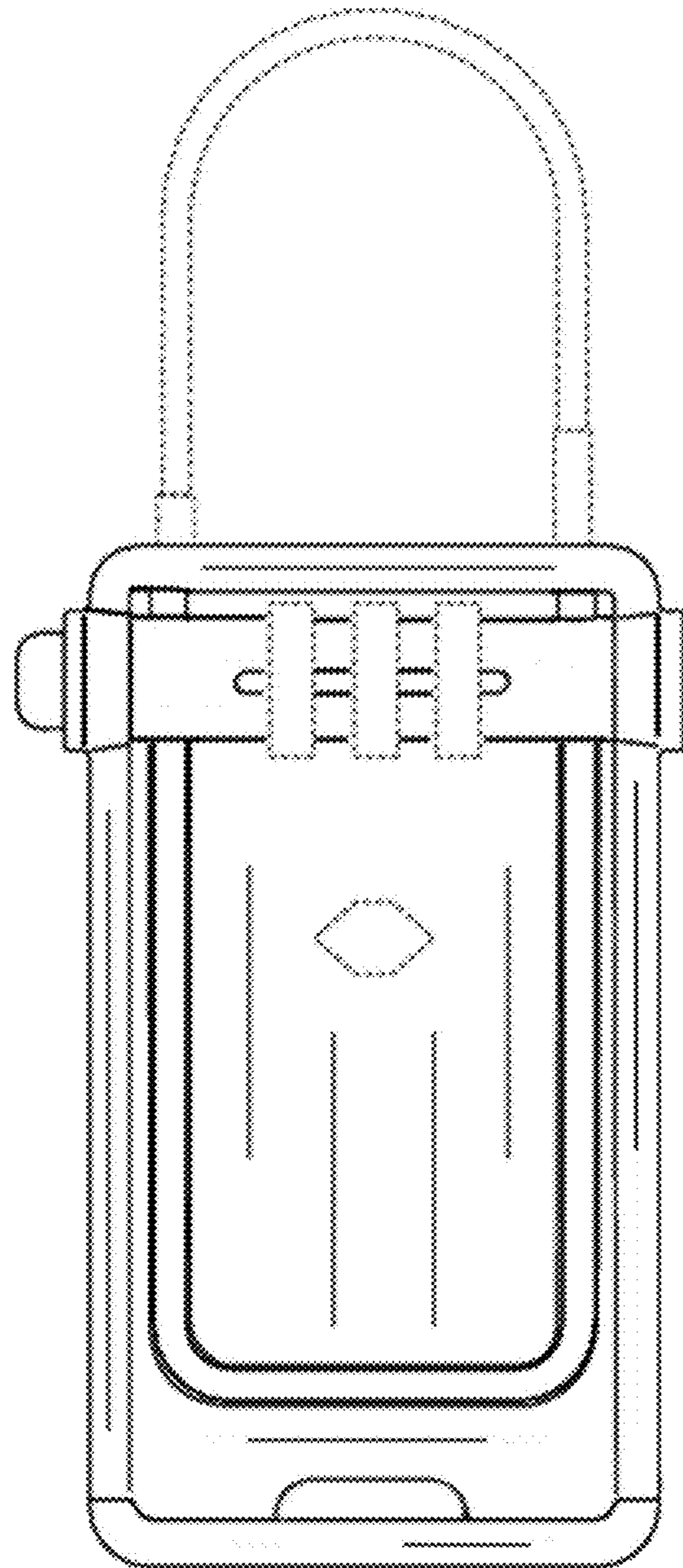


FIG. 3

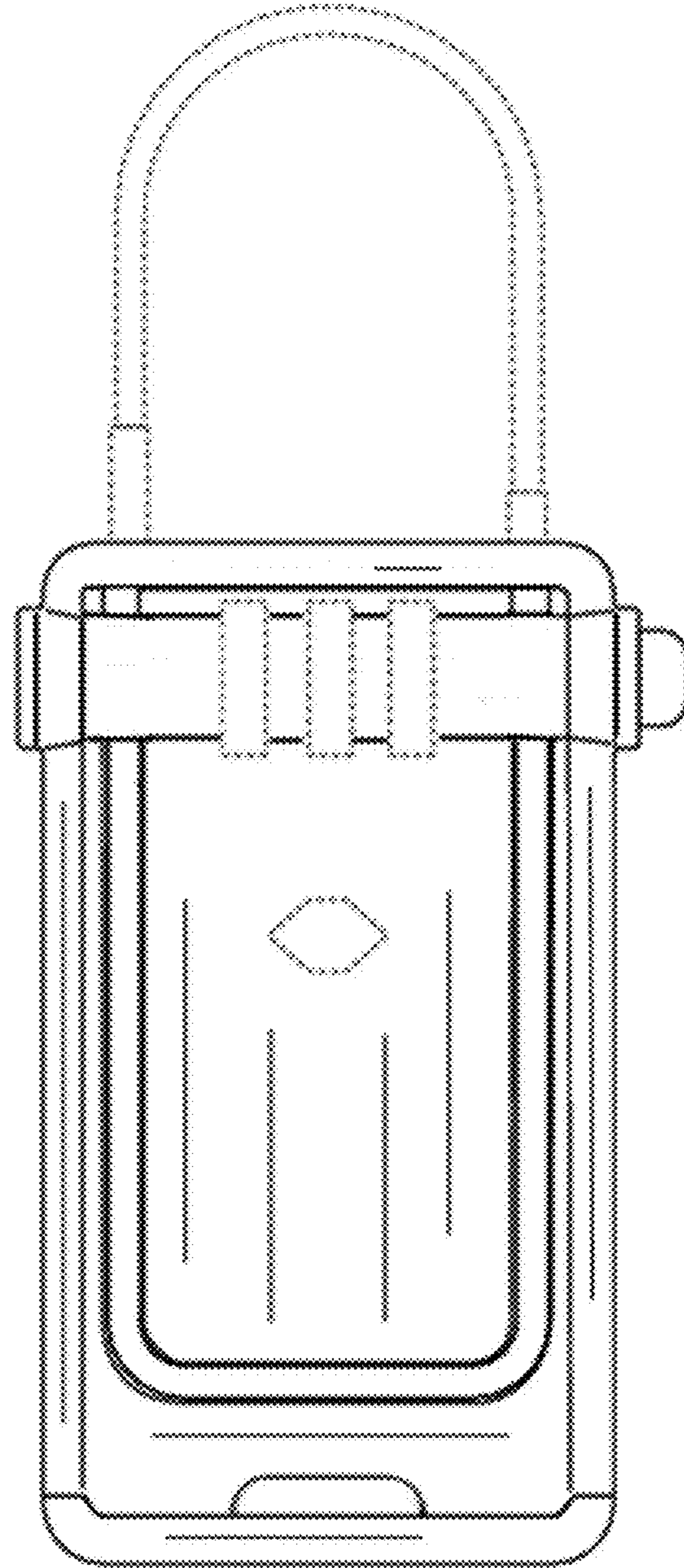


FIG.4

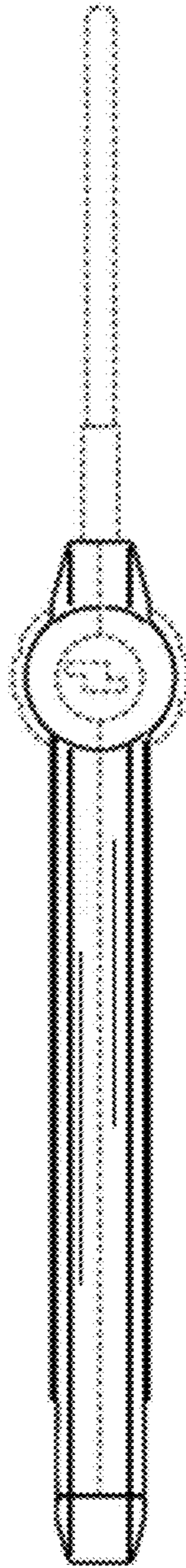


FIG.5

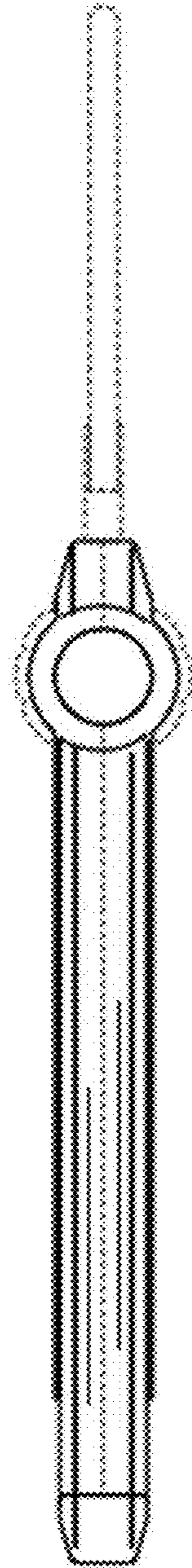


FIG.6

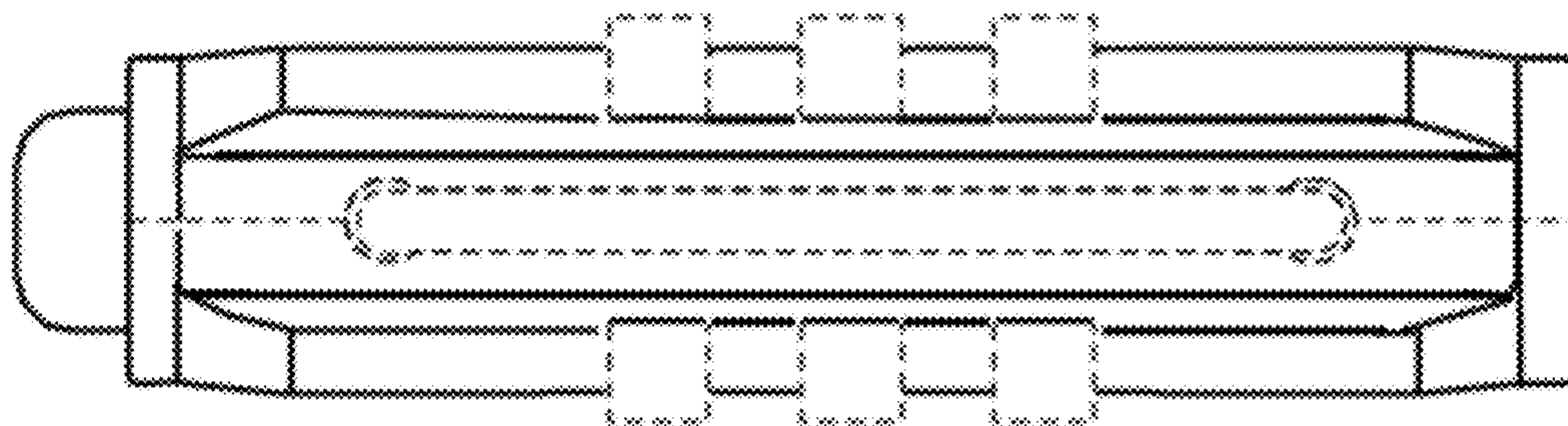


FIG. 7

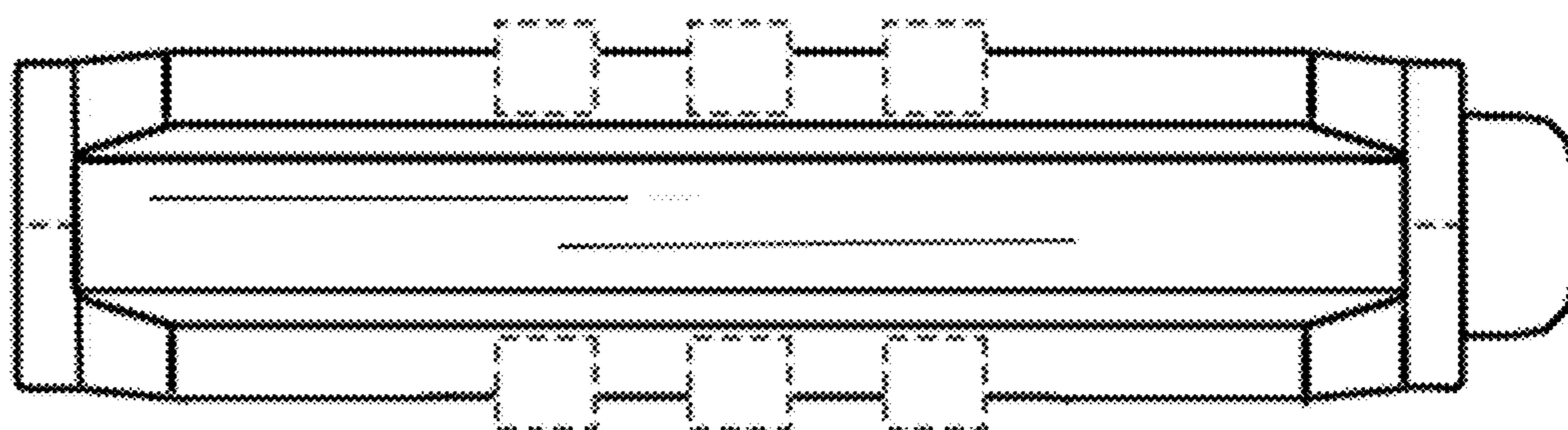


FIG. 8