



US00D833255S

(12) **United States Design Patent** (10) **Patent No.:** **US D833,255 S**
Lee (45) **Date of Patent:** **** Nov. 13, 2018**

(54) **LOCK ESCUTCHEON**
(71) Applicant: **TAIWAN FU HSING INDUSTRIAL CO., LTD.**, Kaohsiung (TW)
(72) Inventor: **Wen-Chieh Lee**, Kaohsiung (TW)
(73) Assignee: **TAIWAN FU HSING INDUSTRIAL CO., LTD.**, Kaohsiung (TW)
(**) Term: **15 Years**

D682,658 S * 5/2013 Cramer D8/331
D684,842 S * 6/2013 Chan D8/331
D705,037 S * 5/2014 Yang D8/331
D729,610 S * 5/2015 Gao D8/331
D736,590 S * 8/2015 Roberts, III D8/330
D736,591 S * 8/2015 Groleski D8/330
D737,661 S * 9/2015 Chan D8/330
D756,748 S * 5/2016 Lu D8/331
D756,749 S * 5/2016 Lu D8/331
D782,282 S * 3/2017 Huang D8/353
D782,283 S * 3/2017 Chiang D8/331
D792,192 S * 7/2017 Huang D8/331
D803,027 S * 11/2017 Huang D8/331

(21) Appl. No.: **29/619,868**

FOREIGN PATENT DOCUMENTS

(22) Filed: **Oct. 3, 2017**

CN 303436148 S 11/2015
TW D151430 S1 1/2013
TW D172583 S 12/2015
TW D173626 S 2/2016

(30) **Foreign Application Priority Data**

Sep. 1, 2017 (TW) 106305048

* cited by examiner

(51) **LOC (11) Cl.** **08-07**

Primary Examiner — Mark A Goodwin

(52) **U.S. Cl.**

(74) *Attorney, Agent, or Firm* — Winston Hsu

USPC **D8/331; D8/353**

(58) **Field of Classification Search**

(57) **CLAIM**

USPC D8/330, 331, 334, 300, 301, 302,
D8/350–353; 70/14, 20–22, 57, 57.1,
70/284–286, 314, DIG. 44; 340/5.21,
340/5.54, 5.65, 5.73, 5.81, 5.85
CPC . E05C 9/004; E05B 9/002; E05B 9/00; E05B
9/02; E05B 37/00; E05B 1/00; E05B
3/00; E05B 47/00; E05B 47/06; E05B
49/00; E05B 15/02; E05B 15/00; E05B
13/103; Y10T 70/8324; Y10T 70/8459;
Y10T 70/8514; Y10T 70/8568

The ornamental design for a lock escutcheon, as shown and described.

See application file for complete search history.

DESCRIPTION

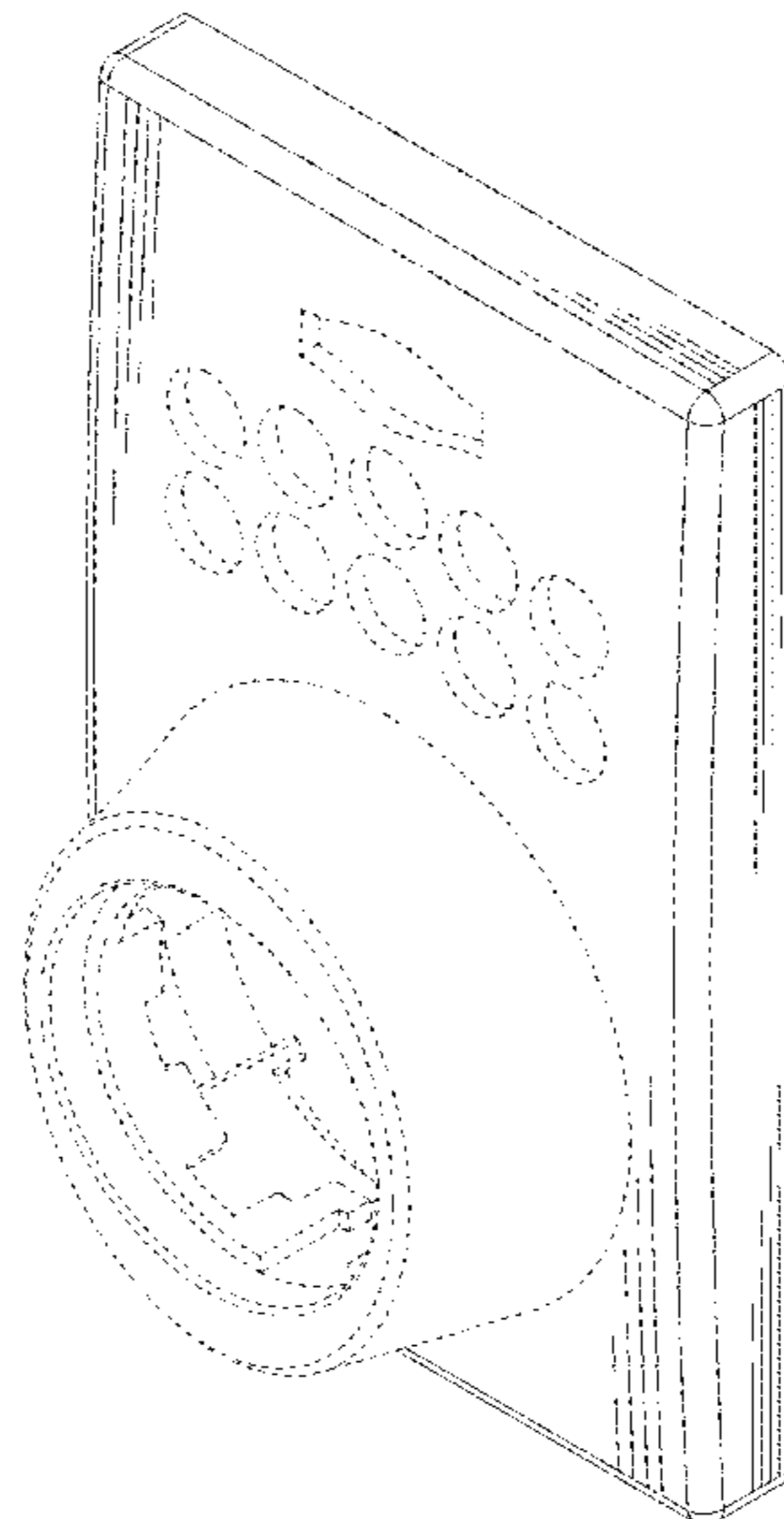
(56) **References Cited**

FIG. 1 is a perspective view of a lock escutcheon showing my new design;
FIG. 2 is a front view thereof;
FIG. 3 is a rear view thereof;
FIG. 4 is a left side view thereof;
FIG. 5 is a right side view thereof;
FIG. 6 is a top view thereof; and,
FIG. 7 is a bottom view thereof.
The broken lines depict portions of the lock escutcheon that form no part of the claimed design.

U.S. PATENT DOCUMENTS

D588,439 S * 3/2009 Lin D8/330
D630,929 S * 1/2011 Downey D8/331
D637,474 S * 5/2011 Schneider D8/330

1 Claim, 6 Drawing Sheets



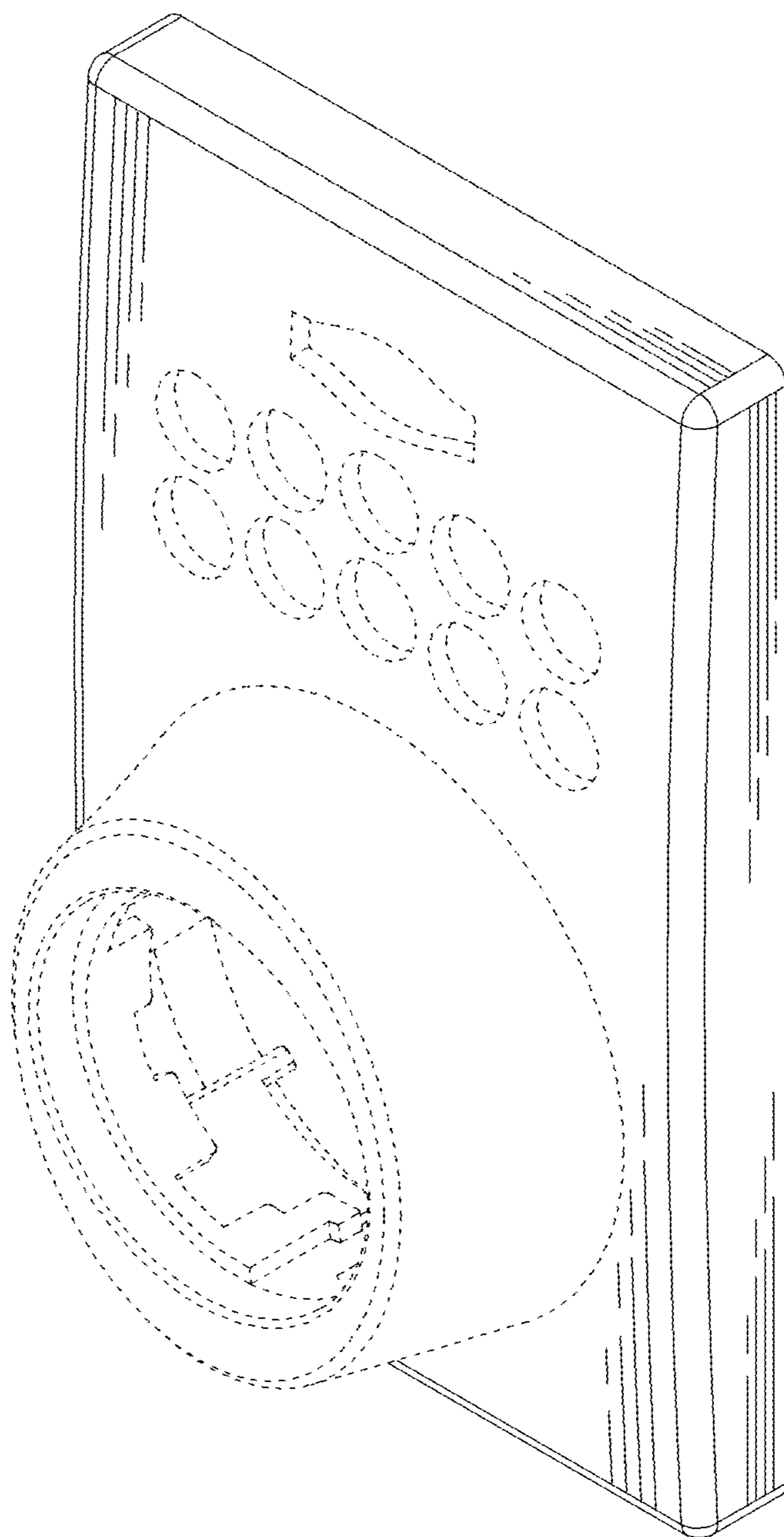


FIG. 1

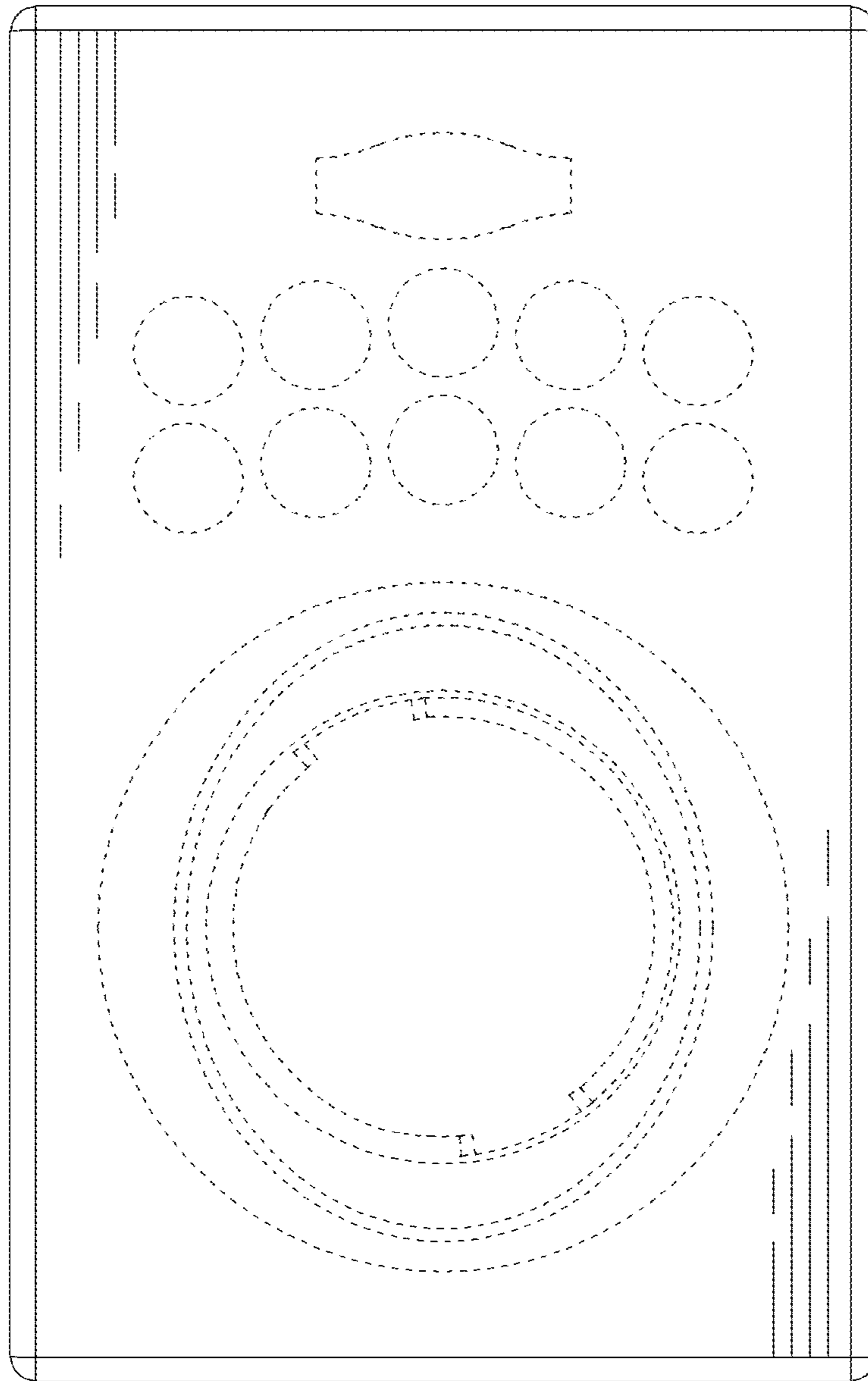


FIG. 2

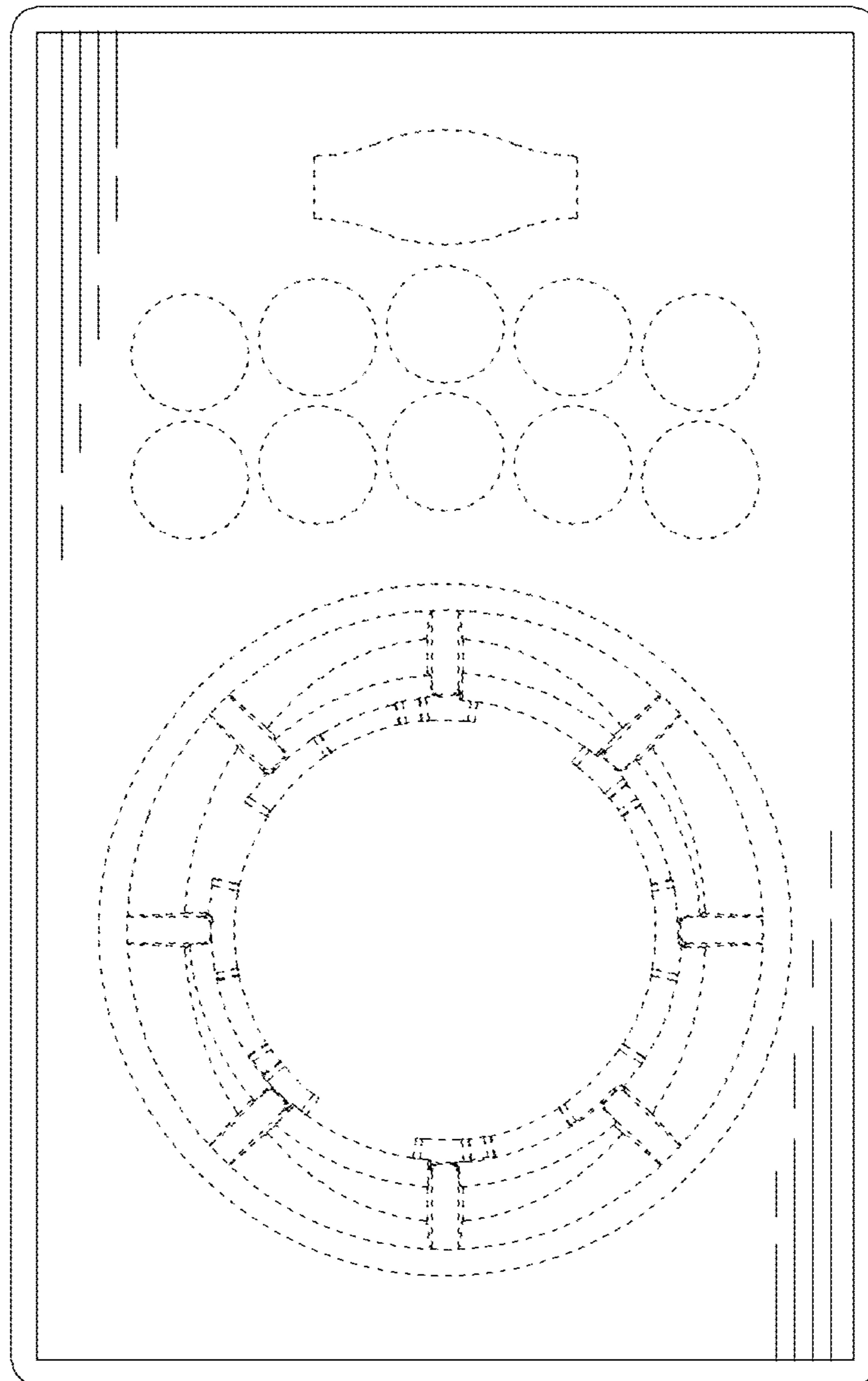


FIG. 3

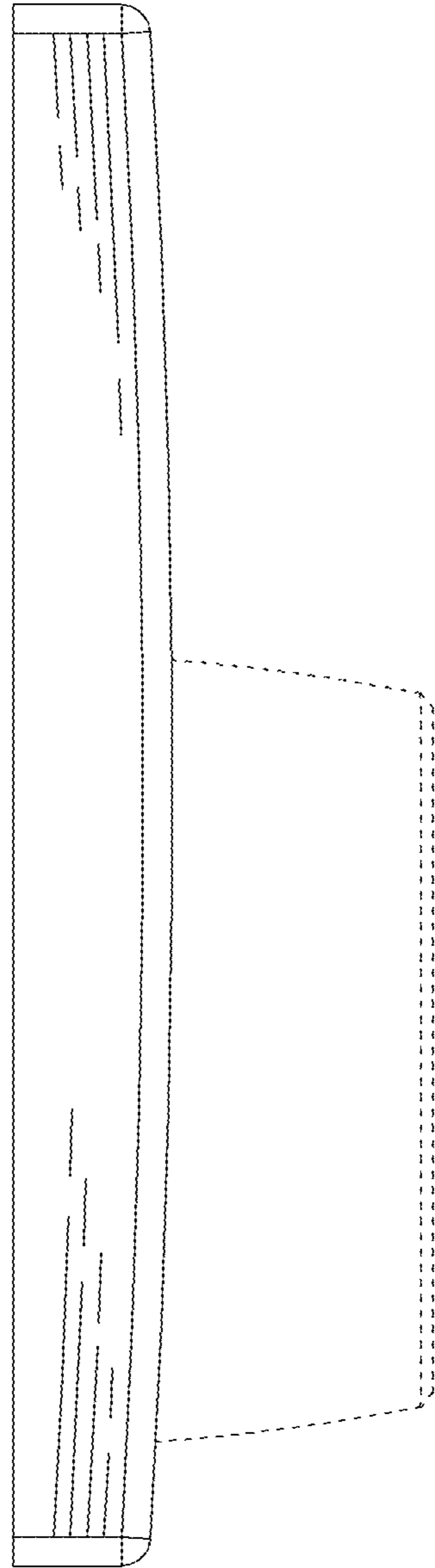


FIG. 4

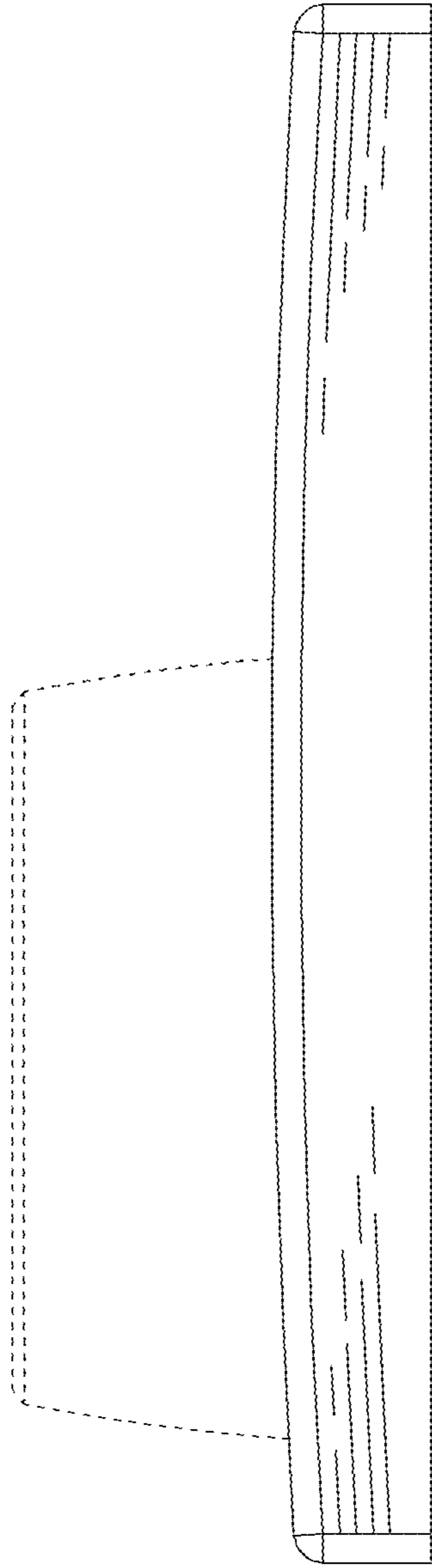


FIG. 5

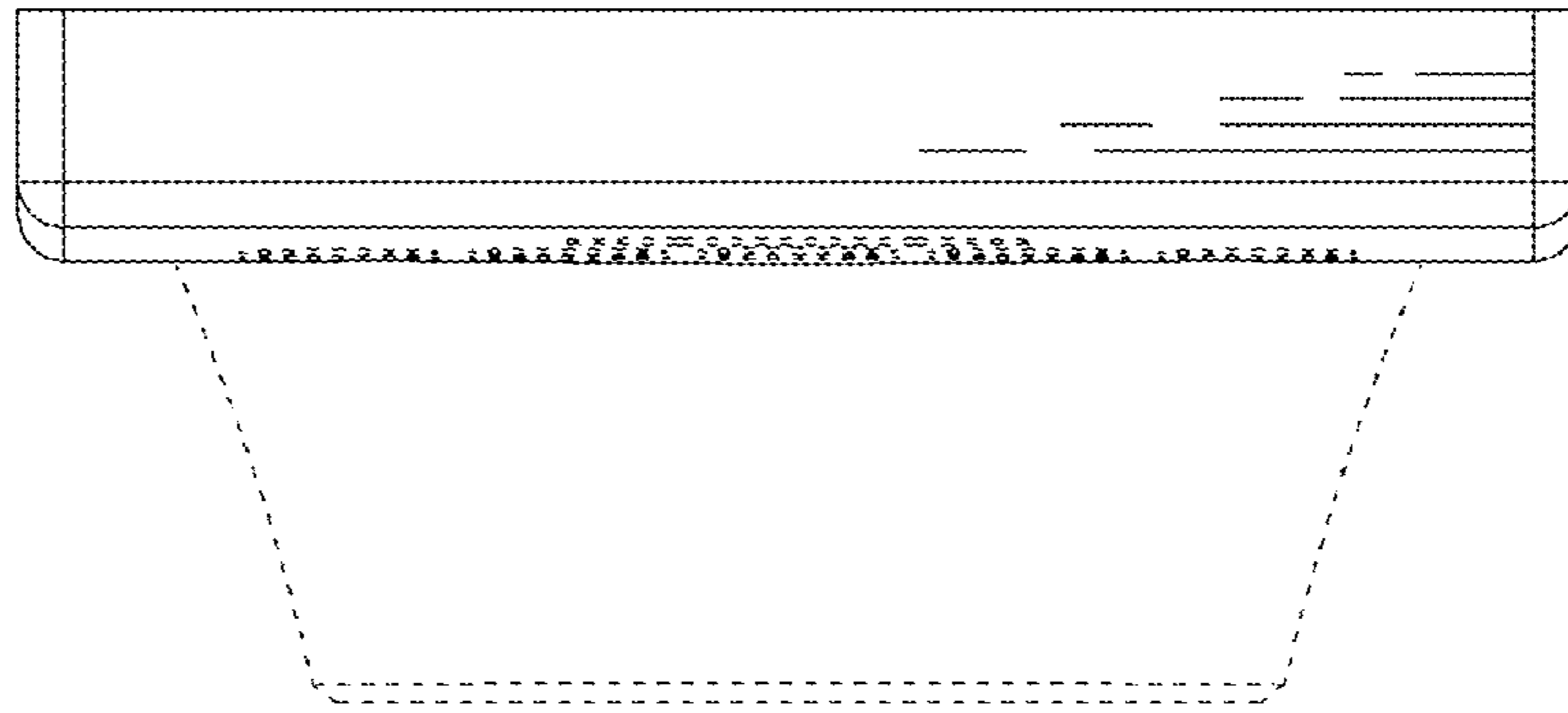


FIG. 6

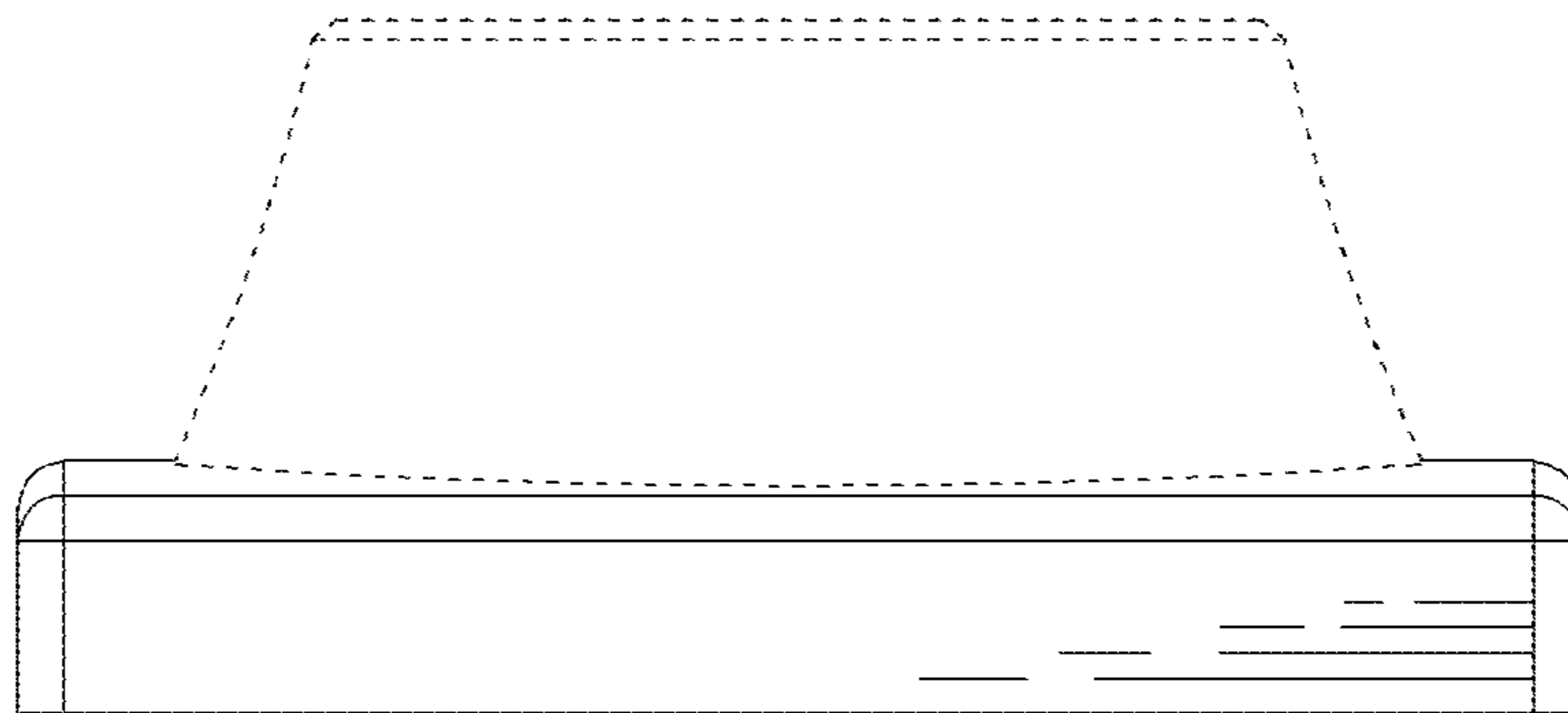


FIG. 7