



US00D833254S

(12) **United States Design Patent** (10) **Patent No.:** **US D833,254 S**
Karnani (45) **Date of Patent:** **** Nov. 13, 2018**

- (54) **ESCUTCHEON FOR A DOOR HANDLE**
- (71) Applicant: **Ashley Norton, Inc.**, Pompton Plains, NJ (US)
- (72) Inventor: **Ashish Karnani**, London (GB)
- (73) Assignee: **Ashley Norton, Inc.**, Pompton Plains, NJ (US)
- (**) Term: **15 Years**
- (21) Appl. No.: **29/606,598**
- (22) Filed: **Jun. 6, 2017**

- 4,688,409 A 8/1987 Oliver et al.
- 4,708,007 A 11/1987 Stoia
- 5,479,802 A 1/1996 Miller
- D374,392 S 10/1996 Malay
- D411,732 S 6/1999 Chamberlain
- 6,279,360 B1 8/2001 Shen
- 6,722,170 B2 4/2004 Squier
- 6,840,070 B1 1/2005 Huang
- D579,760 S 11/2008 Roberts, III
- D626,633 S 11/2010 Montgomery
- D678,752 S 3/2013 Sedwick
- D703,026 S 4/2014 Wu
- D736,590 S 8/2015 Roberts, III et al.
- D737,657 S 9/2015 Nadgouda
- D738,186 S 9/2015 Nadgouda
- D756,747 S 5/2016 Wu et al.
- D756,749 S 5/2016 Lu et al.

(Continued)

Related U.S. Application Data

- (62) Division of application No. 29/515,080, filed on Jan. 20, 2015, now Pat. No. Des. 788,569.
- (51) **LOC (11) Cl.** **08-07**
- (52) **U.S. Cl.**
USPC **D8/330; D8/353**
- (58) **Field of Classification Search**
USPC D8/330, 331, 336, 338, 339, 340, 343, D8/350-353, 300, 301; 70/14, 20, 51, 70/57, 57.1, 91, 107, 141, 472, 277, 70/279.1, 284-286, 314, DIG. 44; 292/2, 292/32, 137, 288, 289, 290, 292
CPC G05B 19/00; G05B 15/00; E05B 49/00; E05B 49/02; E05B 9/00; E05B 17/00; E05B 37/00; E05B 3/00; E05B 13/103; E05B 1/00; E05B 47/00; Y10T 70/8324; Y10T 70/8459; Y10T 70/8514; Y10T 70/8568
See application file for complete search history.

(56) **References Cited**

U.S. PATENT DOCUMENTS

- 3,899,907 A 8/1975 Prah
- D256,915 S 9/1980 Needleman
- D271,374 S 11/1983 Butts
- 4,530,223 A 7/1985 Oliver

OTHER PUBLICATIONS

Restriction Requirement dated Jul. 20, 2016, issued in connection with U.S. Appl. No. 29/515,080 (7 pages).

(Continued)

Primary Examiner — Mark A Goodwin

(74) *Attorney, Agent, or Firm* — McCarter & English, LLP

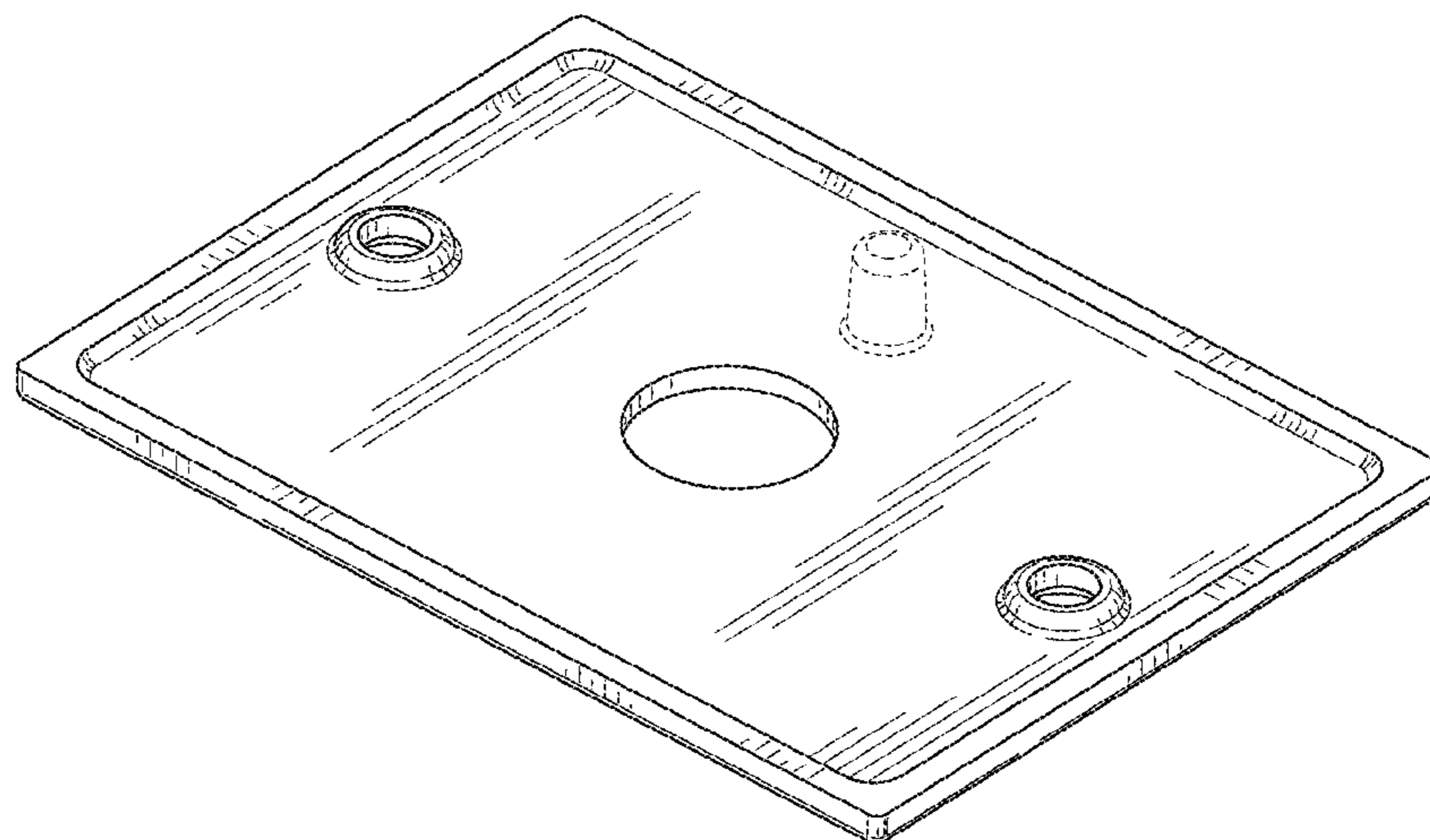
(57) **CLAIM**

The ornamental design for an escutcheon for a door handle, as shown.

DESCRIPTION

FIG. 1 is a perspective view of an escutcheon for a door handle, with broken lines shown for illustrative purposes only and forming no part of the claimed design;
 FIG. 2 is a rear view thereof;
 FIG. 3 is a front view thereof;
 FIG. 4 is a top view thereof;
 FIG. 5 is a bottom view thereof;
 FIG. 6 is a left side view thereof; and,
 FIG. 7 is a right side view thereof.

1 Claim, 4 Drawing Sheets



(56)

References Cited

U.S. PATENT DOCUMENTS

D788,568 S 6/2017 Karnani
D788,569 S 6/2017 Karnani
2004/0201230 A1 10/2004 Wu et al.

OTHER PUBLICATIONS

Restriction Requirement dated Jul. 20, 2016, issued in connection with U.S. Appl. No. 29/515,074 (7 pages).

Notice of Allowance dated Jan. 26, 2017, issued in connection with U.S. Appl. No. 29/515,080 (7 pages).

Notice of Allowance dated Feb. 13, 2017, issued in connection with U.S. Appl. No. 29/515,074 (8 pages).

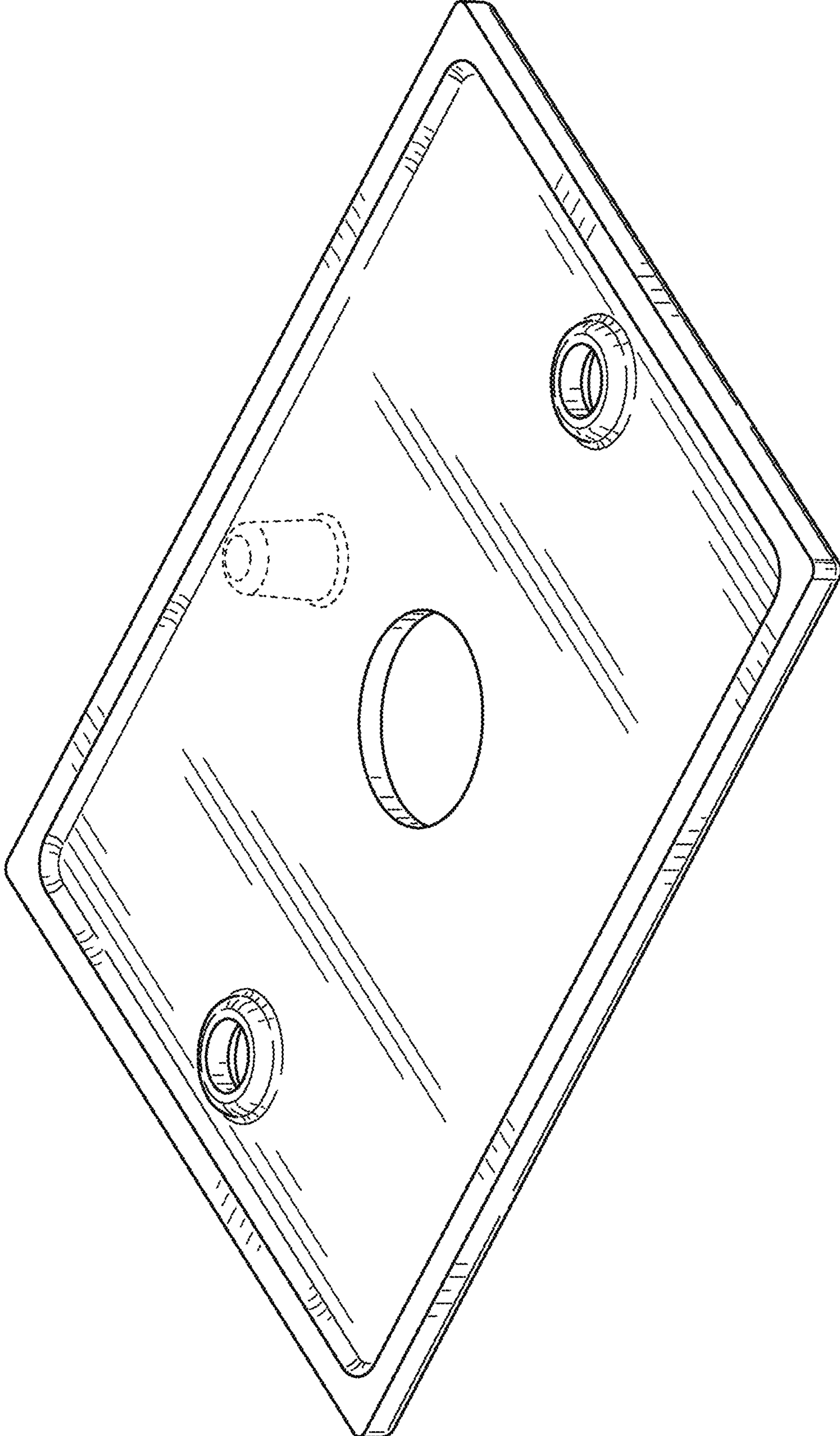


FIG. 1

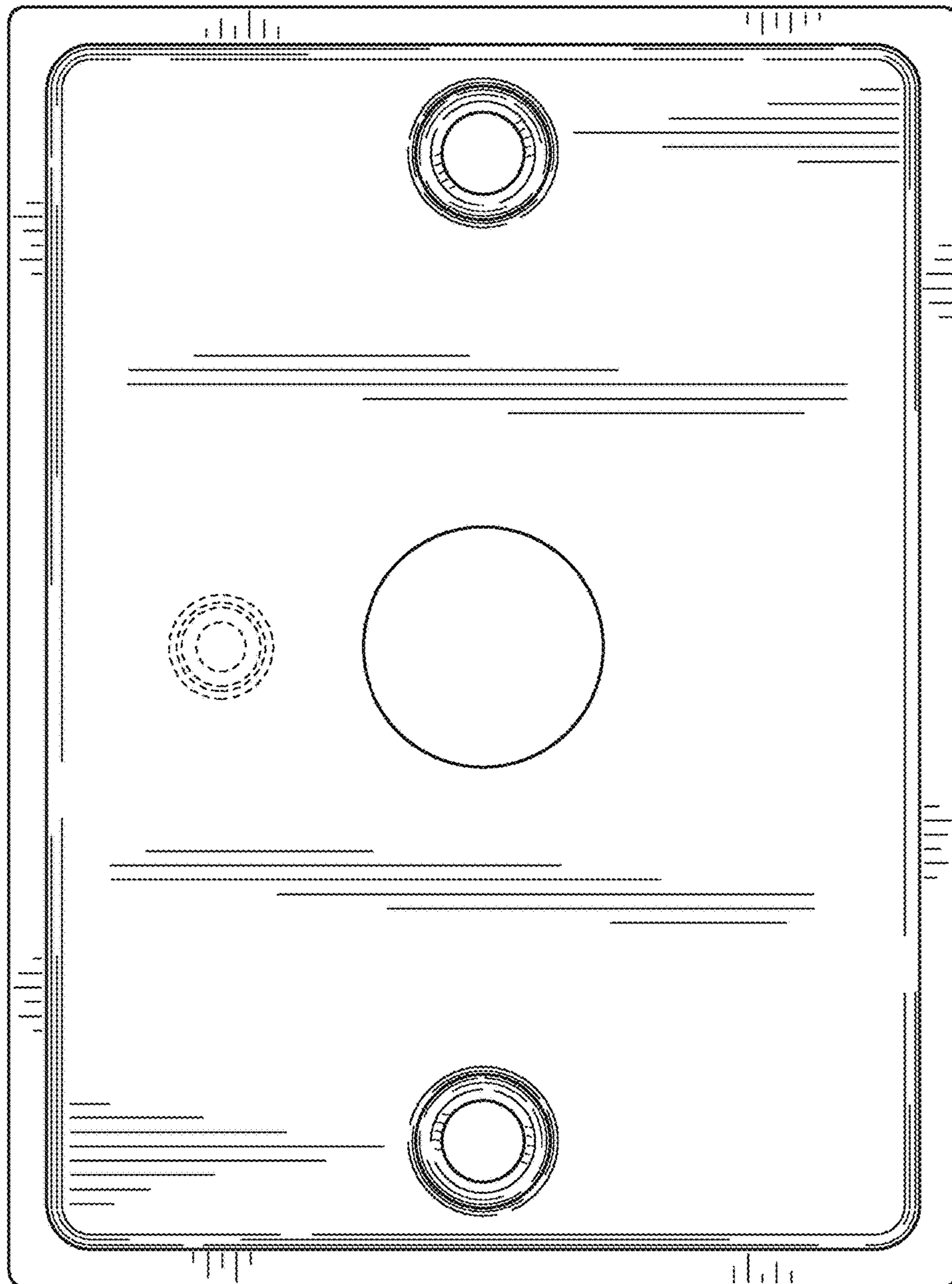


FIG. 2

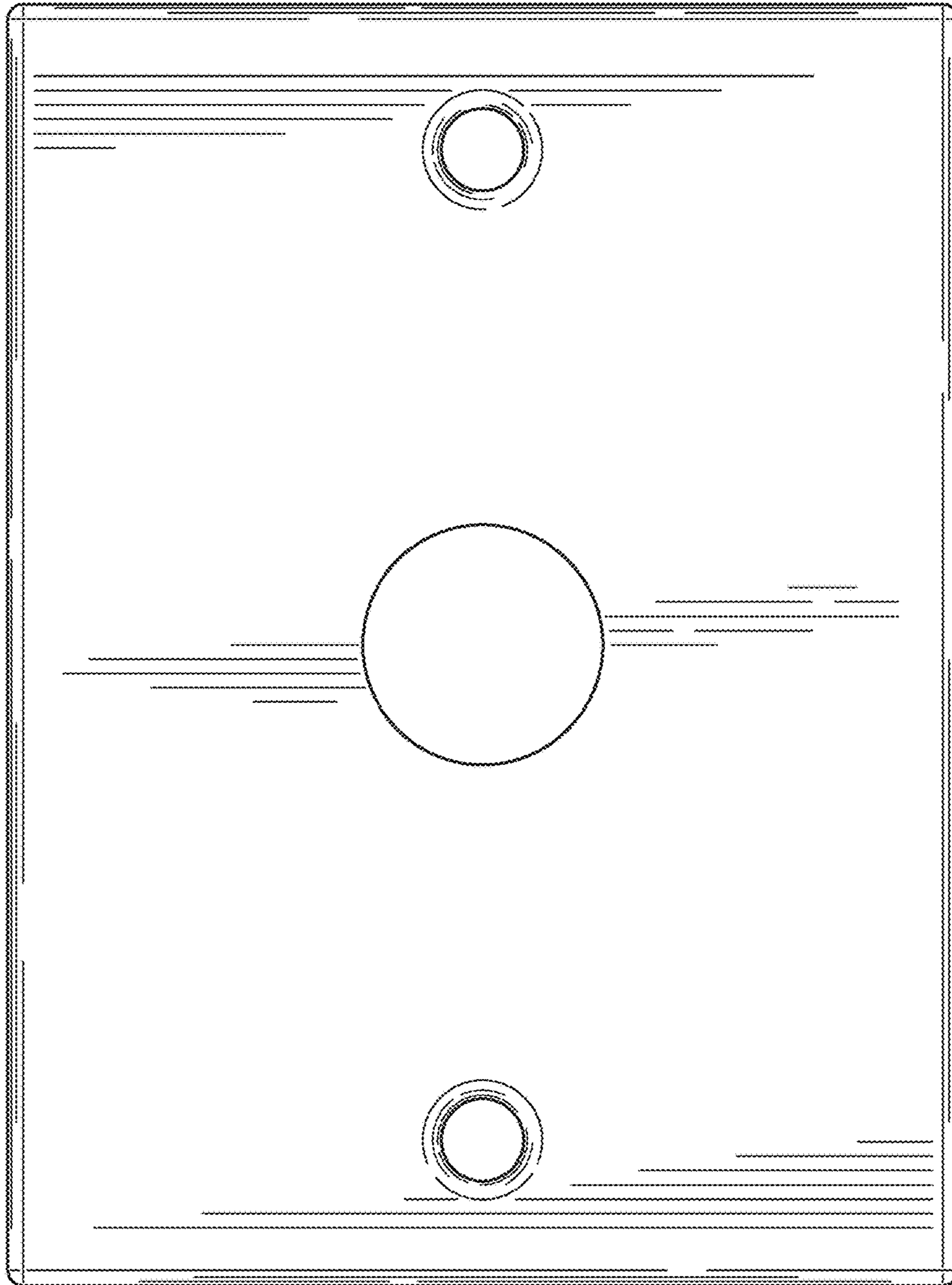


FIG. 3

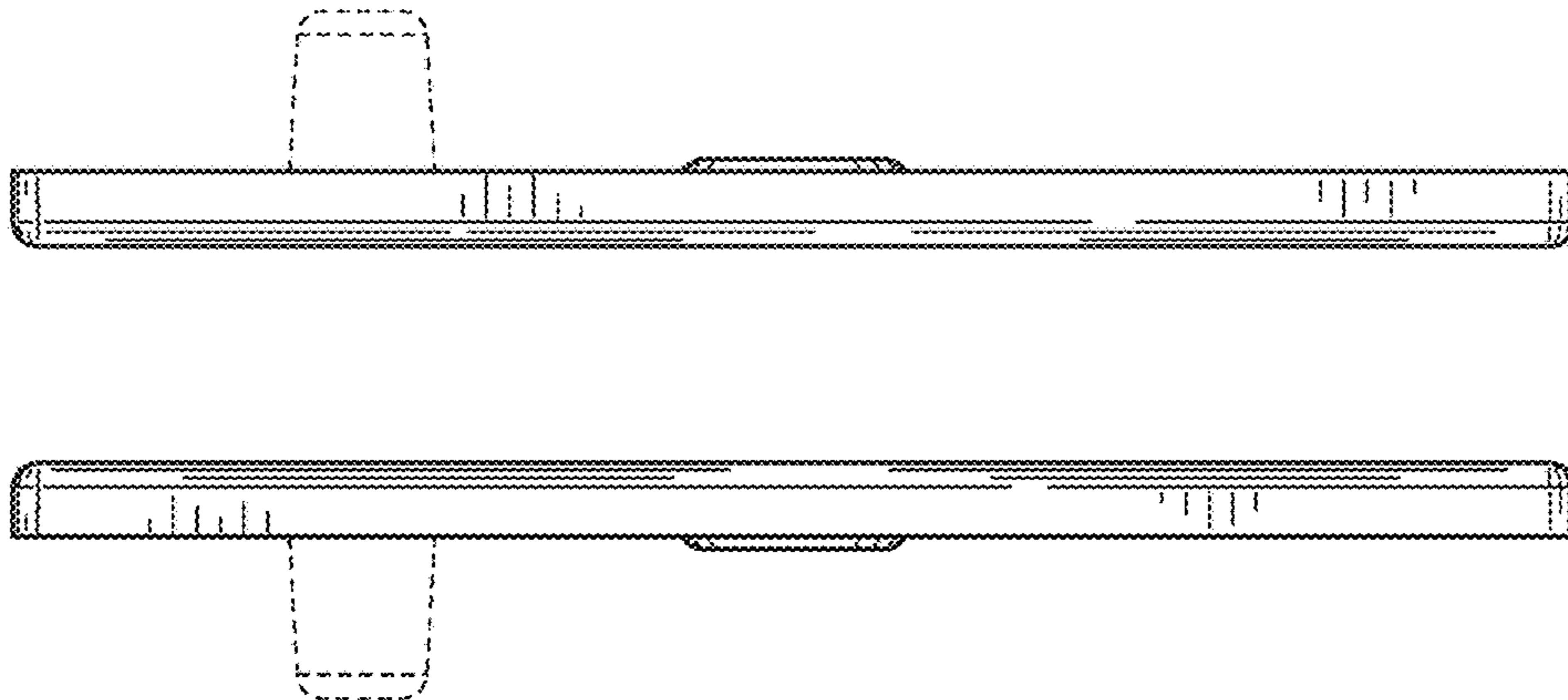


FIG. 4 FIG. 5

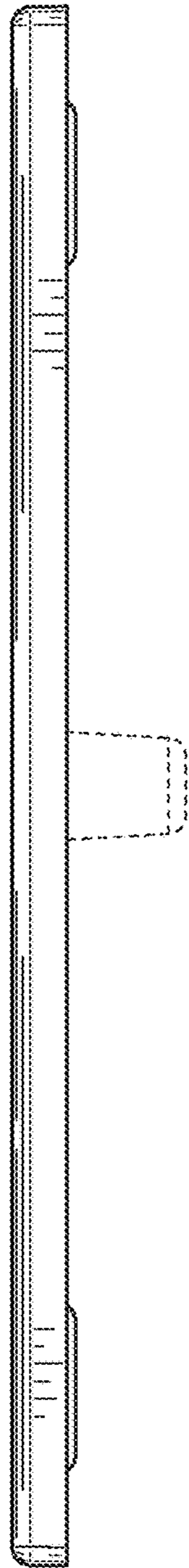


FIG. 6

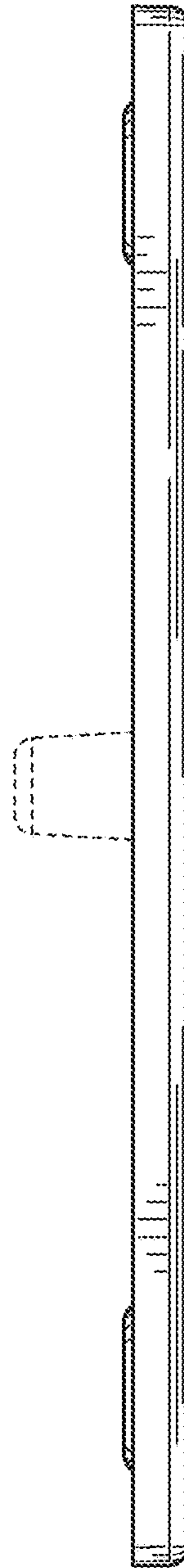


FIG. 7