



US00D833253S

(12) **United States Design Patent** (10) **Patent No.:** **US D833,253 S**
Lowe (45) **Date of Patent:** **** Nov. 13, 2018**

(54) **CABINET HANDLE**

D719,008 S * 12/2014 Han D8/315
D737,654 S * 9/2015 Han D8/316
D779,912 S * 2/2017 Zimmer D8/316

(71) Applicant: **Hardware Resources, Inc.**, Bossier City, LA (US)

* cited by examiner

(72) Inventor: **Stephanie Lowe**, Bossier City, LA (US)

Primary Examiner — Lakiya G Rogers

(73) Assignee: **HARDWARE RESOURCES, INC.**, Bossier City, LA (US)

Assistant Examiner — Harold E Blackwell, II

(74) *Attorney, Agent, or Firm* — Schultz & Associates, P.C.

(**) Term: **15 Years**

(21) Appl. No.: **29/630,351**

(57) **CLAIM**

(22) Filed: **Dec. 20, 2017**

The ornamental design for a cabinet handle, as shown and described.

(51) **LOC (11) Cl.** **08-16**

(52) **U.S. Cl.**
USPC **D8/316**

(58) **Field of Classification Search**
USPC D8/300, 302, 305, 311–321; 16/11 R, 16/111 R, 124
CPC Y10T 16/469; Y10T 16/44; Y10T 16/458; Y10T 16/498; Y10T 16/476; Y10T 16/459; Y10T 16/466; Y10T 16/4713; Y10T 16/4644; Y10T 16/513; Y10T 16/509; Y10T 16/473; Y10T 16/462; Y10T 16/4701
See application file for complete search history.

DESCRIPTION

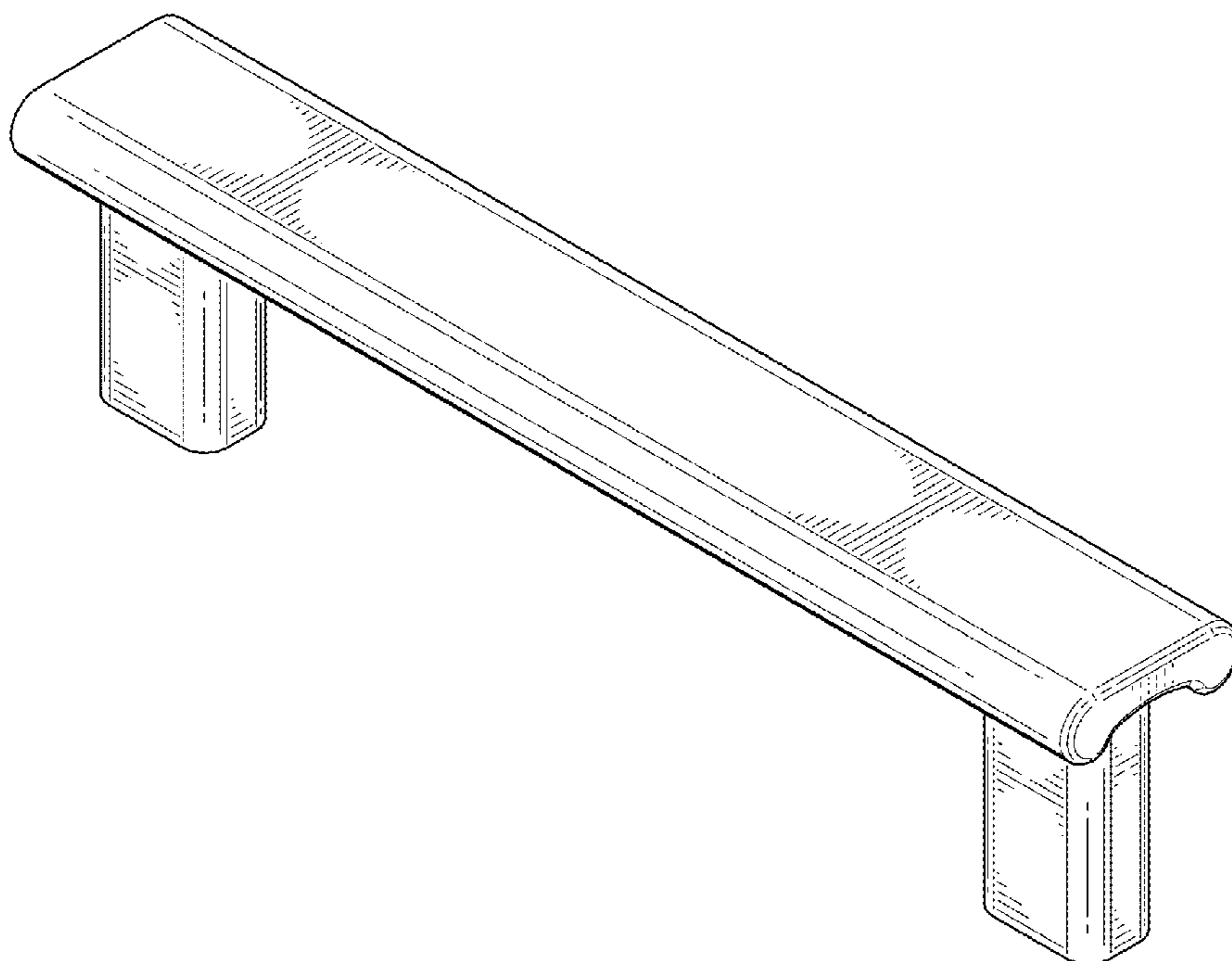
FIG. 1 is a perspective view of a cabinet handle shown independent of environment for ease of disclosure only; FIG. 2 is a side elevation view thereof, shown independent of environment for ease of disclosure only; FIG. 3 is a side elevation view thereof, shown independent of environment for ease of disclosure only; FIG. 4 is top plan view thereof, shown independent of environment for ease of disclosure only; and, FIG. 5 is a bottom plan view thereof, shown independent of environment for ease of disclosure only. The broken lines shown represent unclaimed boundary lines and form no part of the claimed design.

(56) **References Cited**

U.S. PATENT DOCUMENTS

D194,968 S * 4/1963 Stelma D8/317
D561,557 S * 2/2008 McConnell D8/316

1 Claim, 2 Drawing Sheets



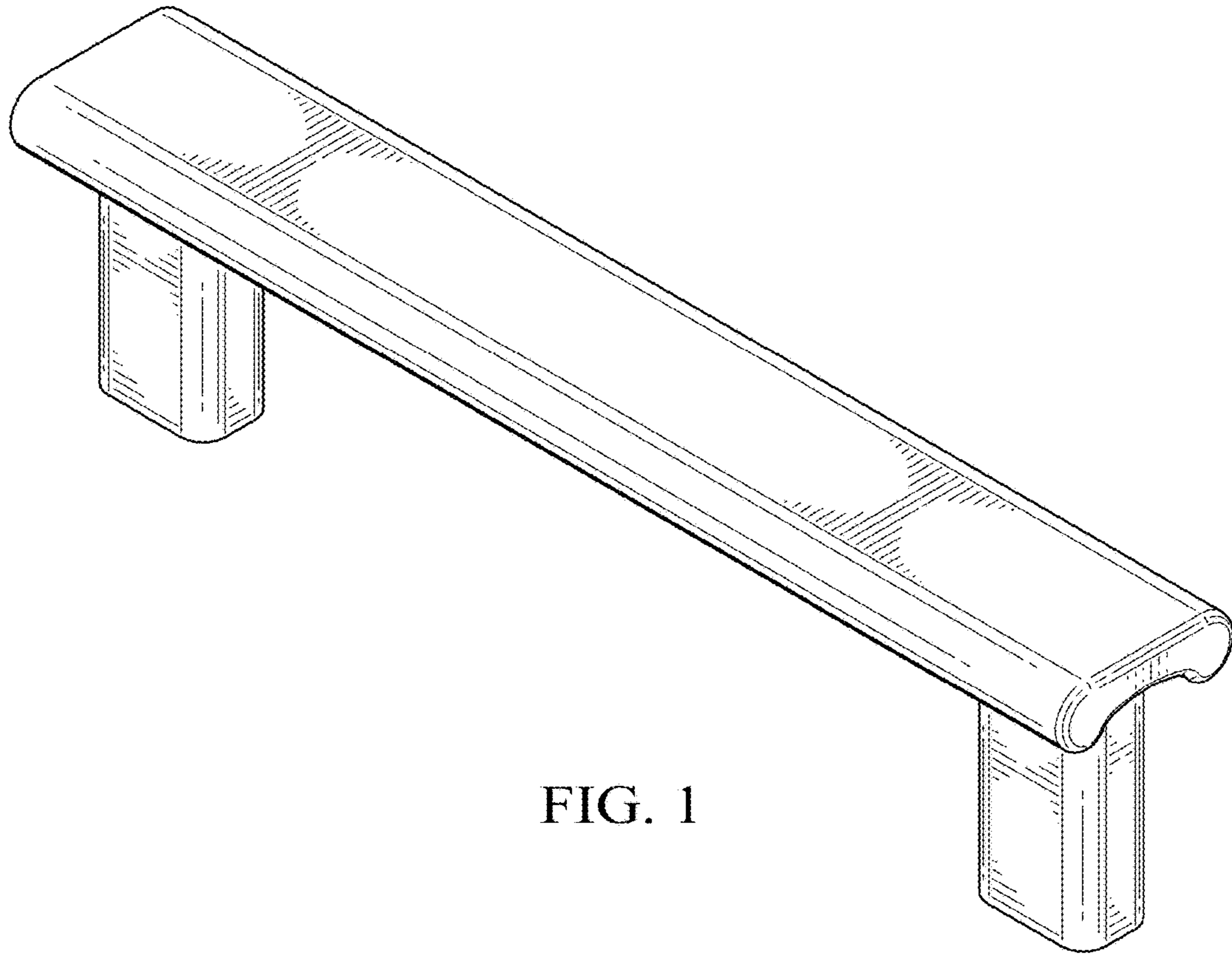


FIG. 1

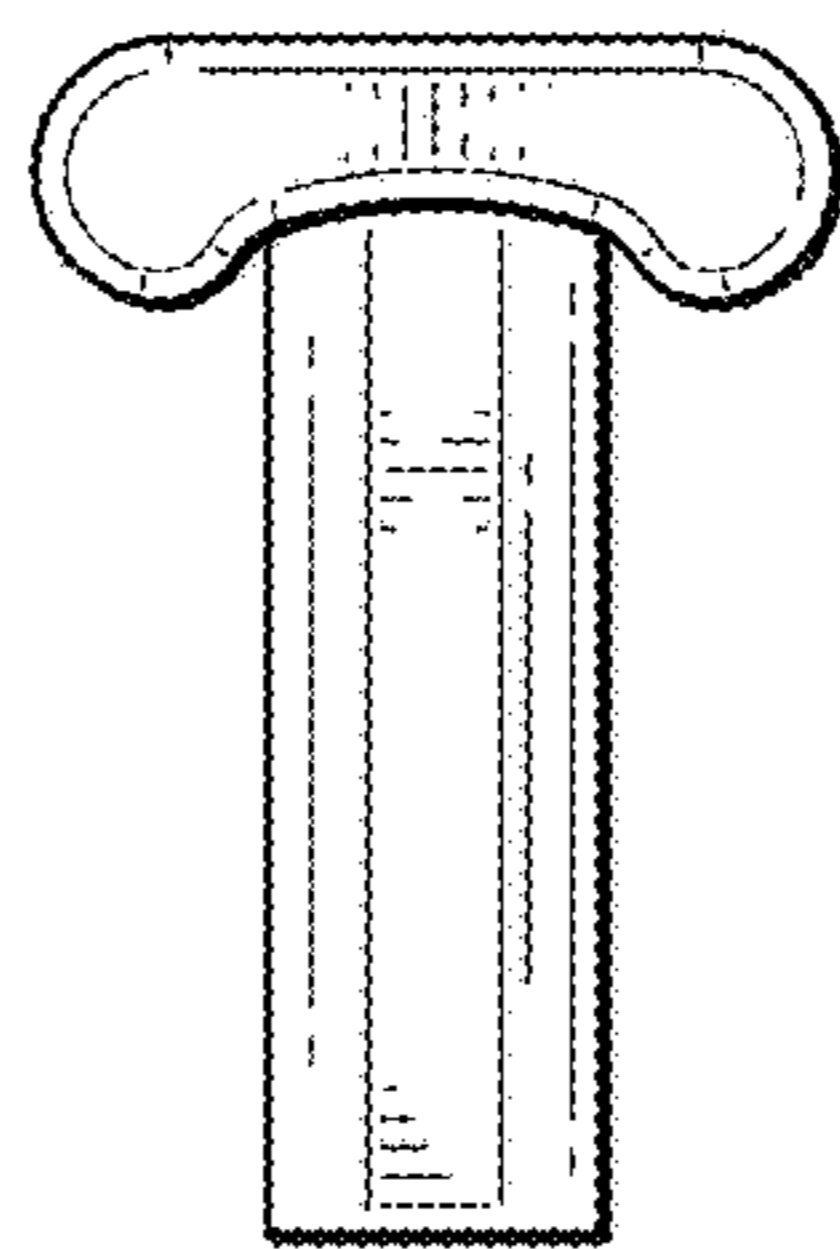


FIG. 2

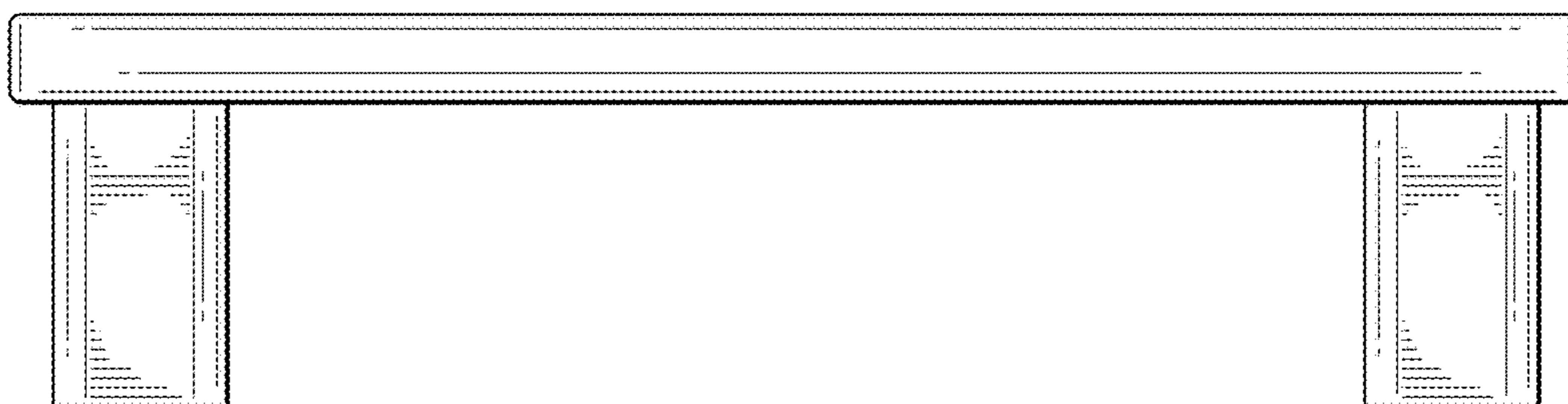


FIG. 3

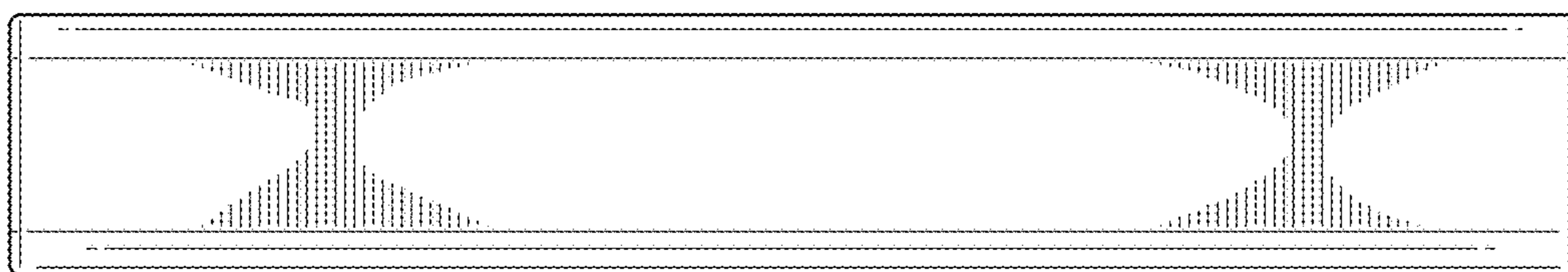


FIG. 4

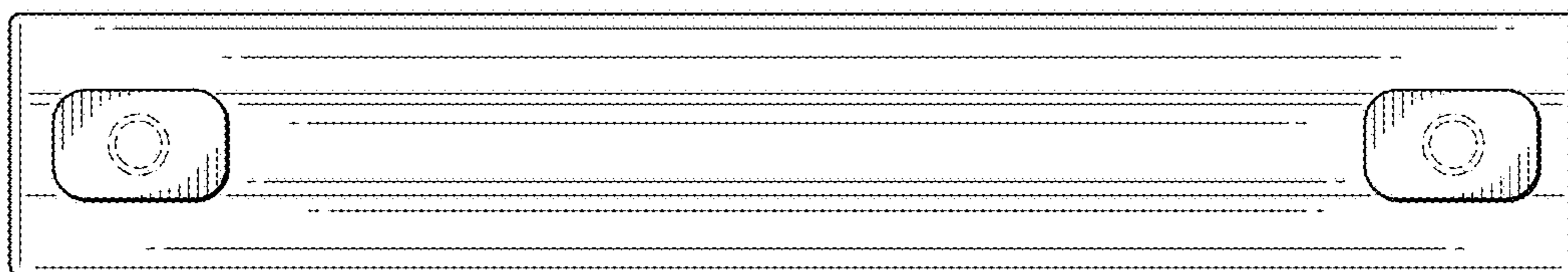


FIG. 5