



US00D833251S

(12) **United States Design Patent** (10) **Patent No.:** **US D833,251 S**
Hall (45) **Date of Patent:** **** Nov. 13, 2018**

(54) **DOOR KNOB**

(71) Applicant: **KINGSWAY ENTERPRISES (UK) LIMITED**, Swanley, Kent (GB)
(72) Inventor: **Benjamin Hall**, Swanley (GB)
(73) Assignee: **Kingsway Enterprises (UK) Limited**, Swanley (GB)

(**) Term: **15 Years**

(21) Appl. No.: **29/622,736**

(22) Filed: **Oct. 19, 2017**

(30) **Foreign Application Priority Data**

May 15, 2017 (GB) 6012652
(51) **LOC (11) Cl.** **08-06**

(52) **U.S. Cl.**
USPC **D8/311**

(58) **Field of Classification Search**
USPC D8/300, 301, 307, 310, 311, 330, 331;
D7/393; D23/250, 252, 254
CPC ... Y10T 16/469; Y10T 16/44; Y10T 74/2084;
Y10T 74/20828; Y10T 74/20822; Y10T
74/20864; Y10T 292/444; Y10T 292/432;
Y10T 292/42; Y10T 16/4713; Y10T
16/4707; Y10T 16/476; Y10T 16/506;
Y10T 74/20876; Y10T 16/4559; Y10T
292/0902; Y10T 292/1028; Y10T 16/459;
Y10T 292/702; Y10T 292/0934; Y10T
137/7069; Y10T 292/1083; Y10T
403/7062; Y10T 292/1078; Y10T
292/1024; Y10T 74/20396; Y10T
292/0968; Y10T 292/1085; Y10T
292/1061; Y10T 292/1047; Y10T
292/854; Y10T 403/60; Y10S 16/30

See application file for complete search history.

(56) **References Cited**

U.S. PATENT DOCUMENTS

D225,204	S	*	11/1972	Kendrick	D8/311
D498,657	S	*	11/2004	Milrud	D8/311
D511,669	S	*	11/2005	Miller	D8/300
D521,314	S	*	5/2006	Ball	D7/393
D559,206	S	*	1/2008	Neveu	D13/174
D628,457	S	*	12/2010	Bengtson	D8/311
D634,602	S	*	3/2011	Bengtson	D8/311
D642,042	S	*	7/2011	Kim	D8/311
D710,673	S	*	8/2014	Boo	G05G 1/10
						D8/311
D734,093	S	*	7/2015	Munari	D7/393
D752,920	S	*	4/2016	Boo	D7/393
D766,698	S	*	9/2016	Vergin	D8/311
D766,699	S	*	9/2016	Vergin	D8/311
D786,651	S	*	5/2017	Shoemaker	D8/311
2009/0151505	A1	*	6/2009	Castillo	G05G 1/12
						74/553
2013/0228038	A1	*	9/2013	Klimecki	G05G 1/105
						74/553
2017/0352505	A1	*	12/2017	Wang	H01H 19/14

* cited by examiner

Primary Examiner — Lauren R Calve
(74) *Attorney, Agent, or Firm* — Erise IP, P.A.

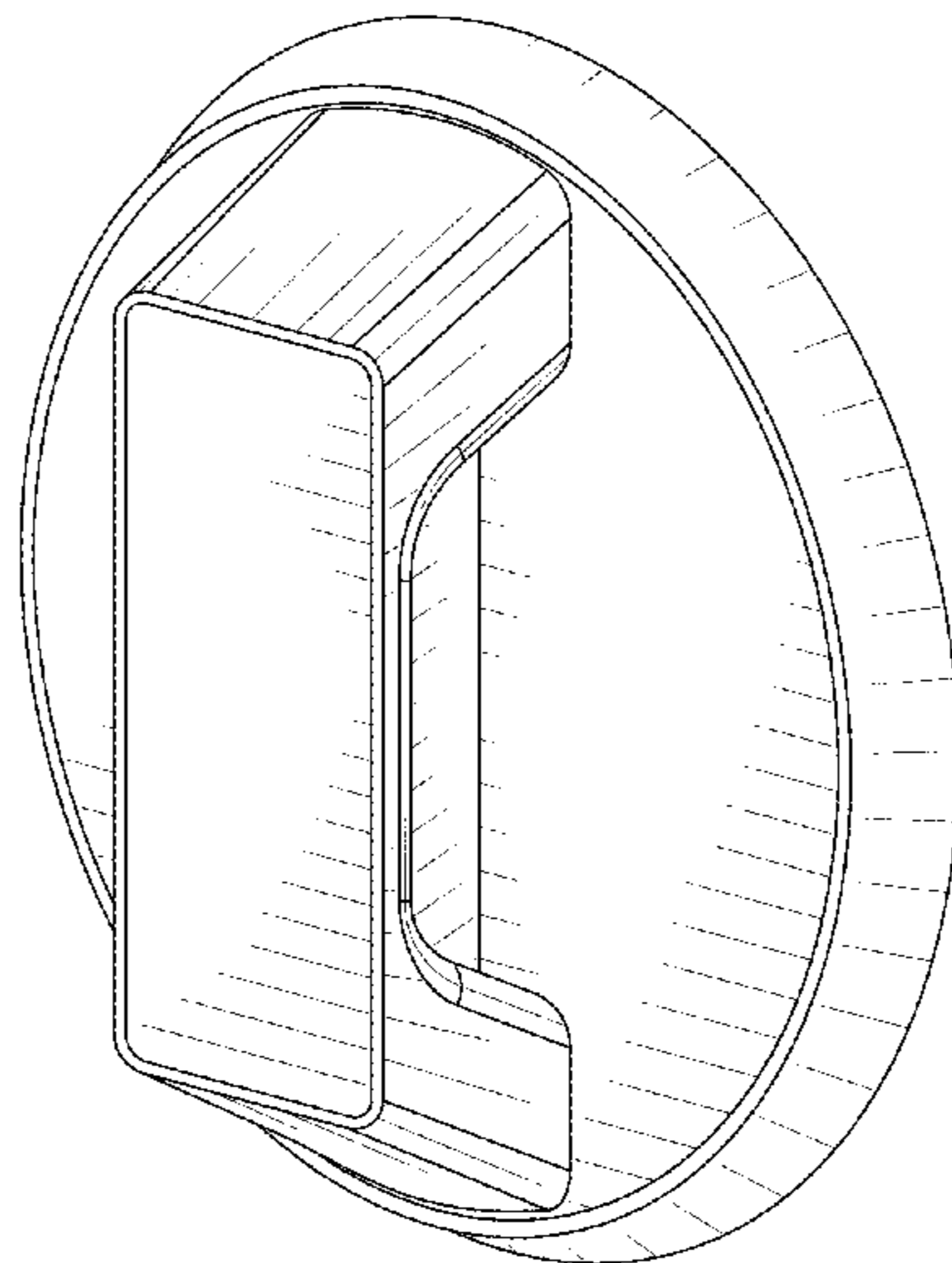
(57) **CLAIM**

The ornamental design for a door knob, as shown and described.

DESCRIPTION

FIG. 1 is a perspective view of a door knob embodying the design;
FIG. 2 is a front view thereof;
FIG. 3 is a left side view thereof;
FIG. 4 is a right side view thereof;
FIG. 5 is a top view thereof; and,
FIG. 6 is a bottom view thereof.

1 Claim, 6 Drawing Sheets



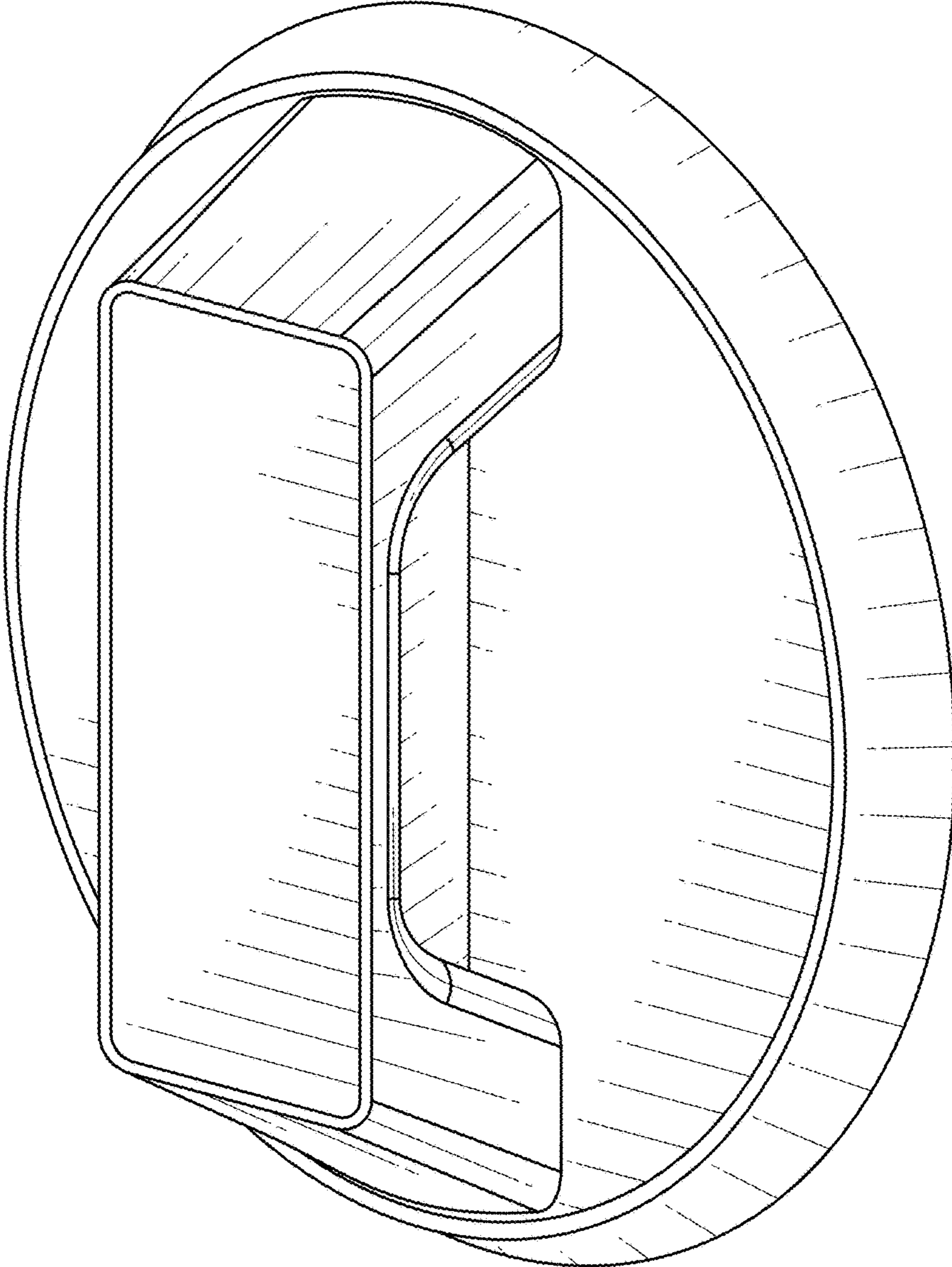


FIG. 1

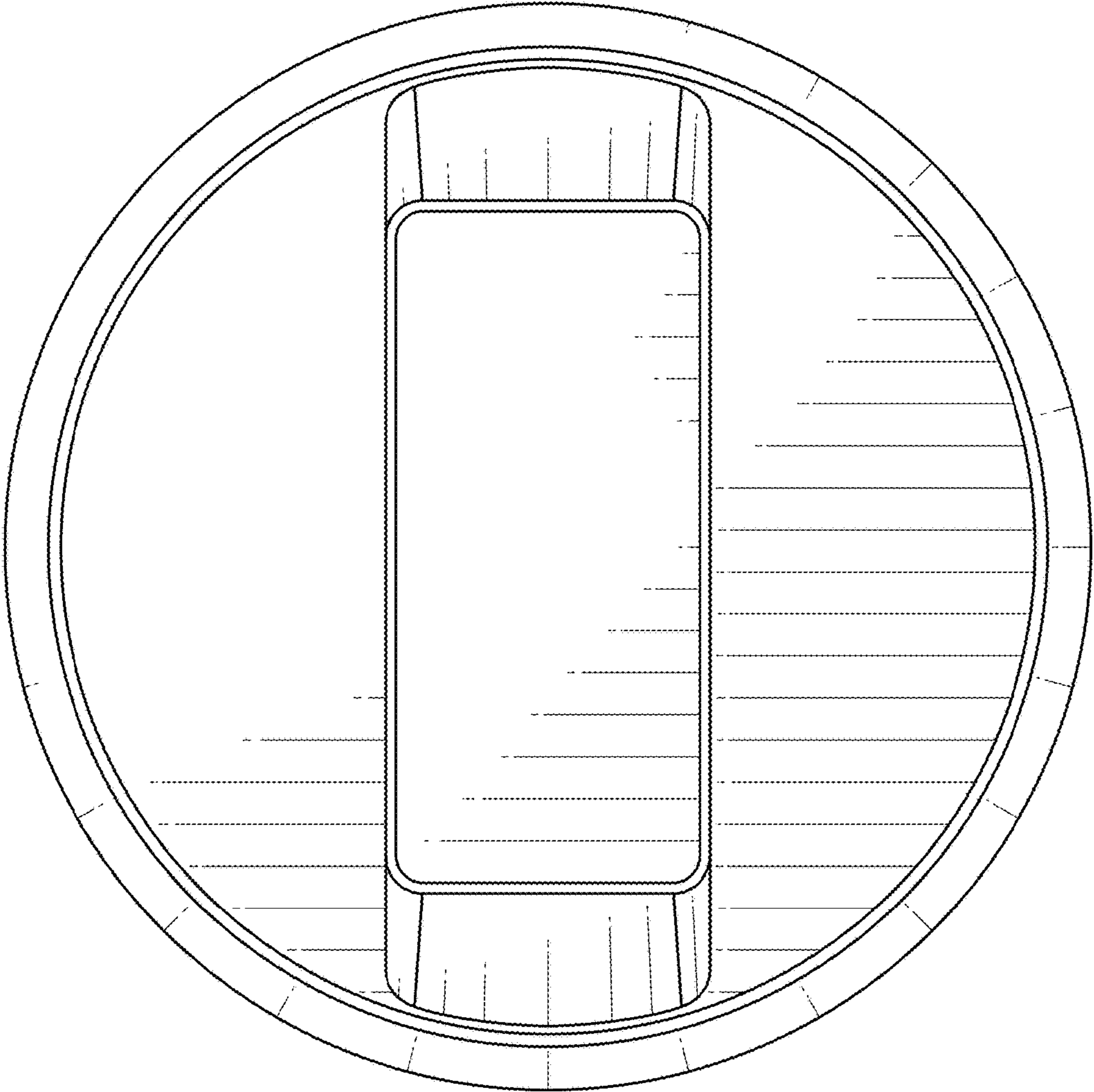


FIG. 2

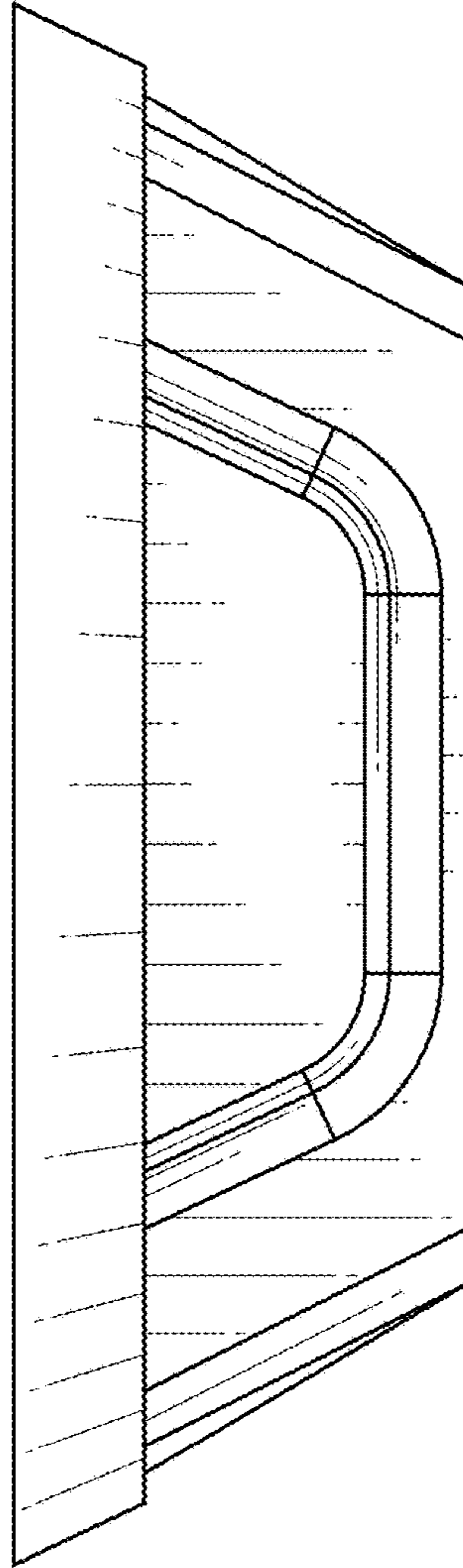


FIG. 3

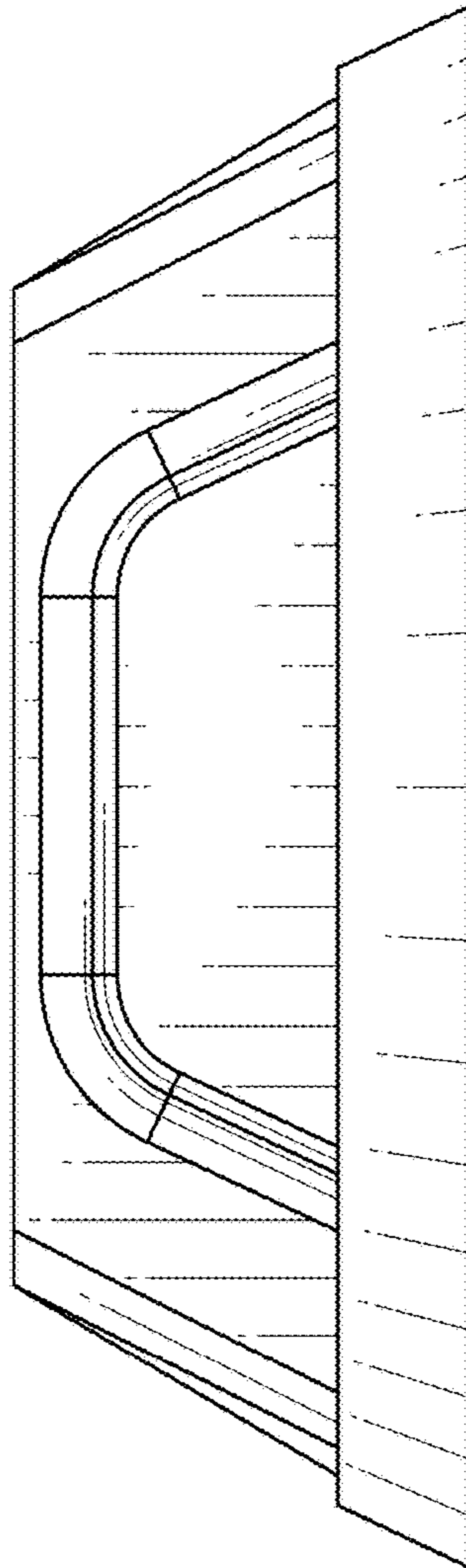


FIG. 4

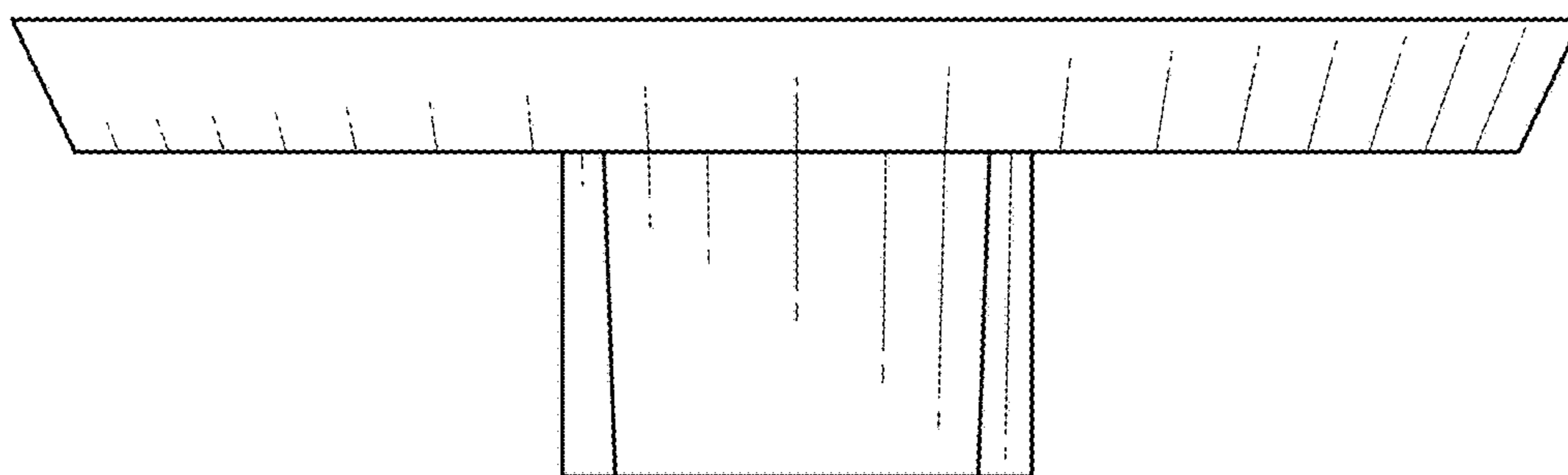


FIG. 5

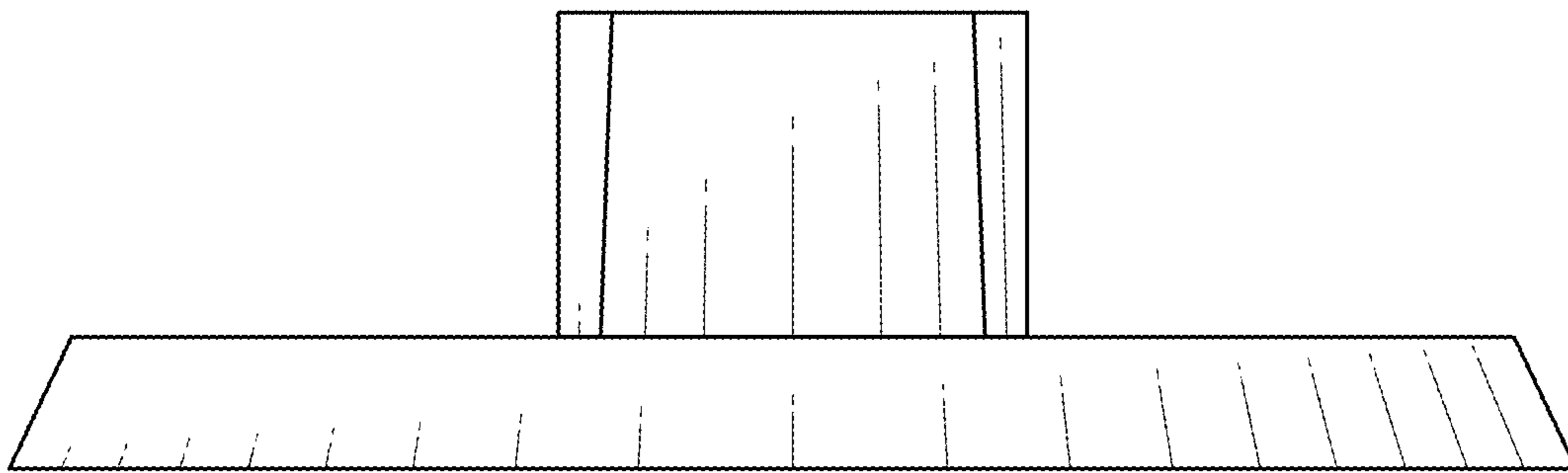


FIG. 6