



US00D833250S

(12) **United States Design Patent** (10) **Patent No.:** **US D833,250 S**
Lowe (45) **Date of Patent:** **** Nov. 13, 2018**

(54) **CABINET KNOB**
(71) Applicant: **Hardware Resources, Inc.**, Bossier City, LA (US)
(72) Inventor: **Stephanie Lowe**, Bossier City, LA (US)
(73) Assignee: **HARDWARE RESOURCES, INC.**, Bossier, LA (US)
(**) Term: **15 Years**
(21) Appl. No.: **29/630,346**
(22) Filed: **Dec. 20, 2017**
(51) **LOC (11) Cl.** **08-06**
(52) **U.S. Cl.**
USPC **D8/307**
(58) **Field of Classification Search**
USPC D8/300, 307, 310; D7/393; D23/250, D23/252, 254
CPC ... Y10T 292/57; Y10T 16/469; Y10T 292/82; Y10T 74/2084; Y10T 292/85; Y10T 16/458; Y10T 16/506; Y10T 70/5155; Y10T 16/46; Y10T 16/4559; Y10T 74/20828; Y10T 70/8541; Y10T 74/20612; Y10T 16/459; Y10T 16/487; Y10T 70/5389; Y10T 16/462; Y10T 16/4636; E05B 1/0007; E05B 3/00; Y10S 16/30; Y10S 292/53; Y10S 292/27
See application file for complete search history.

2,679,913 A * 6/1954 Scott E05B 1/0015 16/414
4,790,208 A * 12/1988 Johnson G05G 1/12 16/441
5,255,413 A * 10/1993 Sabo A47B 95/02 16/417
5,722,119 A * 3/1998 Wang E05B 1/0015 16/441
D570,184 S * 6/2008 Ricereto D8/307
D579,303 S * 10/2008 Schneider D8/307
D602,331 S * 10/2009 Owens D8/307
D643,276 S * 8/2011 Roe D8/307
D671,794 S * 12/2012 Rae D7/393
D708,040 S * 7/2014 Han A47B 95/02 D8/307
D728,342 S * 5/2015 Han D8/307
D764,254 S * 8/2016 Zimmer D8/307
D772,683 S * 11/2016 Han D8/307
D776,511 S * 1/2017 Eads D8/307
D786,648 S * 5/2017 Zimmer D8/307

* cited by examiner

Primary Examiner — Lauren R Calve
(74) *Attorney, Agent, or Firm* — Schultz & Associates, P.C.

(57) **CLAIM**

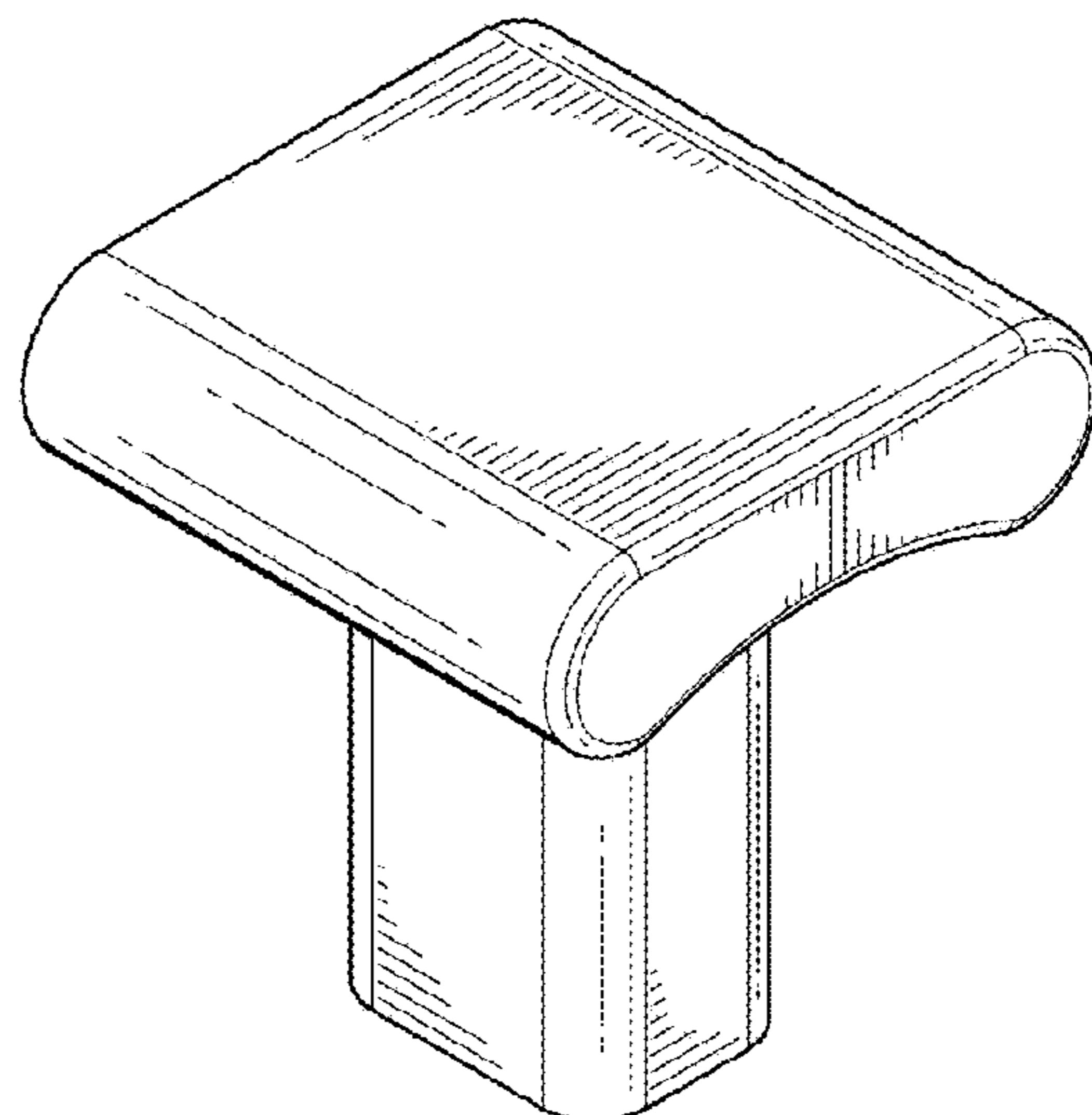
The ornamental design for a cabinet knob, as shown and described.

DESCRIPTION

FIG. 1 is a perspective view of a cabinet knob; FIG. 2 is a side elevation view thereof; FIG. 3 is a second side elevation view thereof; FIG. 4 is a top plan view thereof; and, FIG. 5 is a bottom plan view thereof. The broken lines shown represent unclaimed boundary lines and form no part of the claimed design.

1 Claim, 2 Drawing Sheets

(56) **References Cited**
U.S. PATENT DOCUMENTS
1,918,243 A * 7/1933 Wanpouille B65D 39/16 220/521
2,190,192 A * 2/1940 Raymond E05B 1/0015 16/417



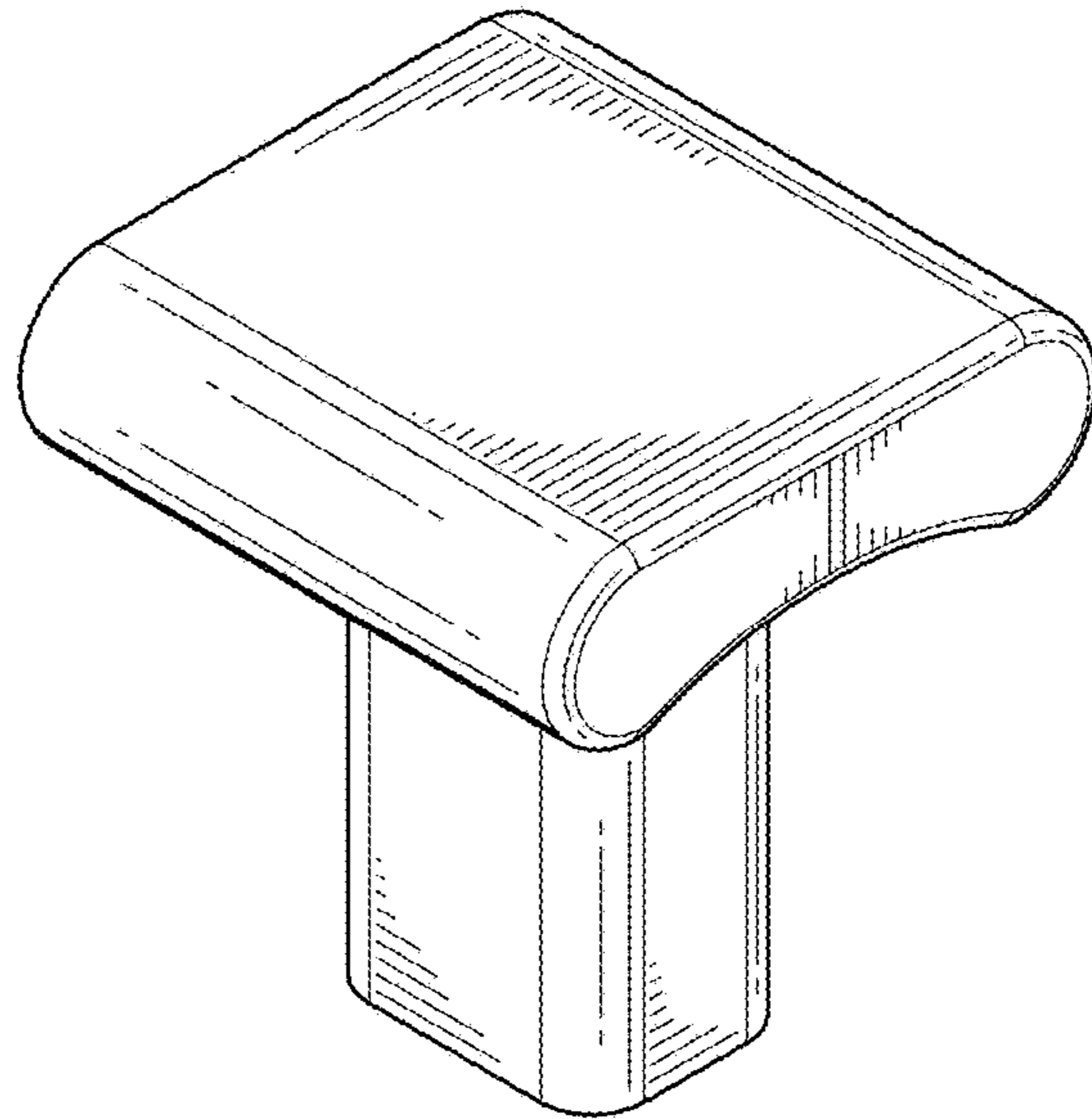


FIG. 1

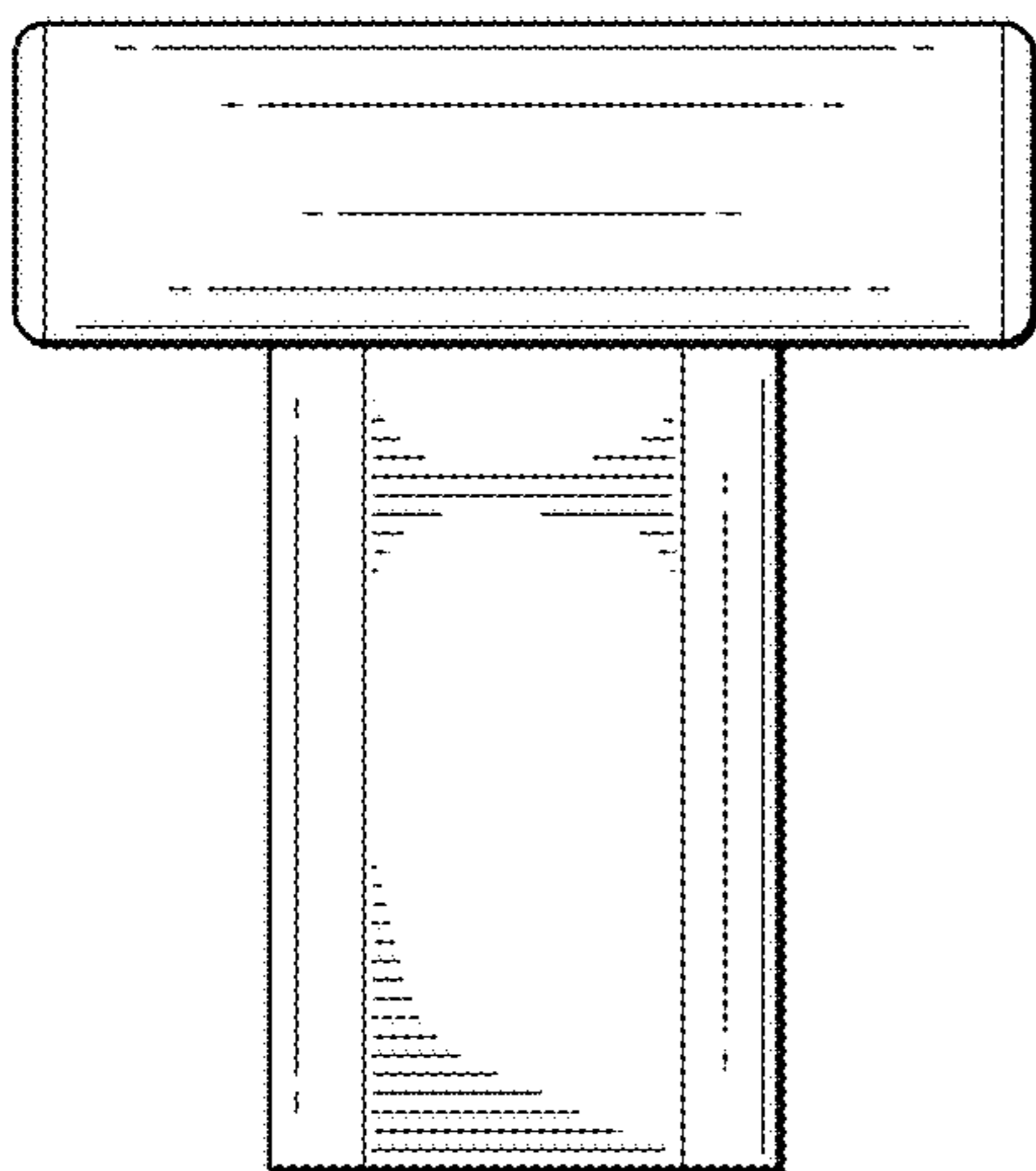


FIG. 2

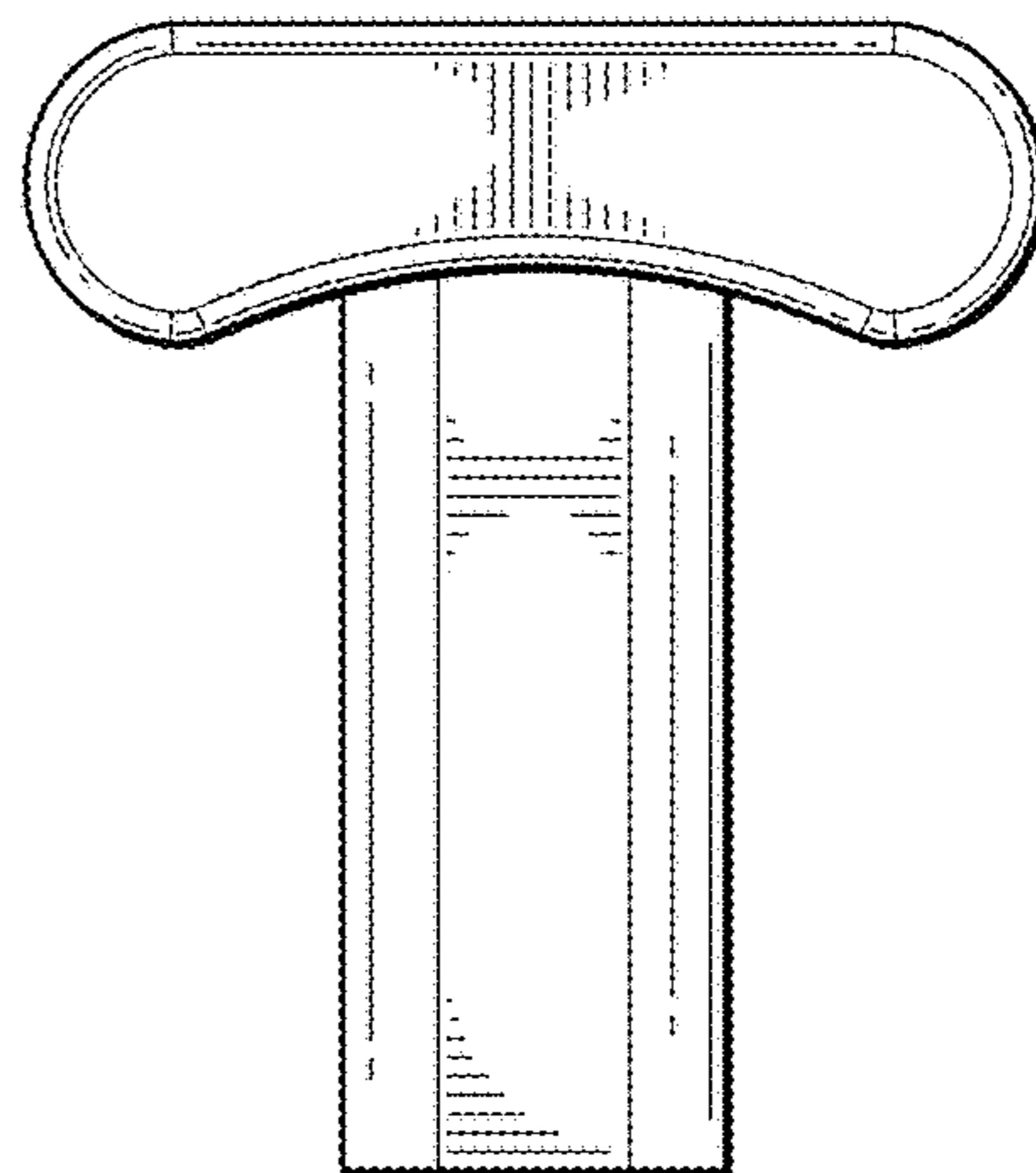


FIG. 3

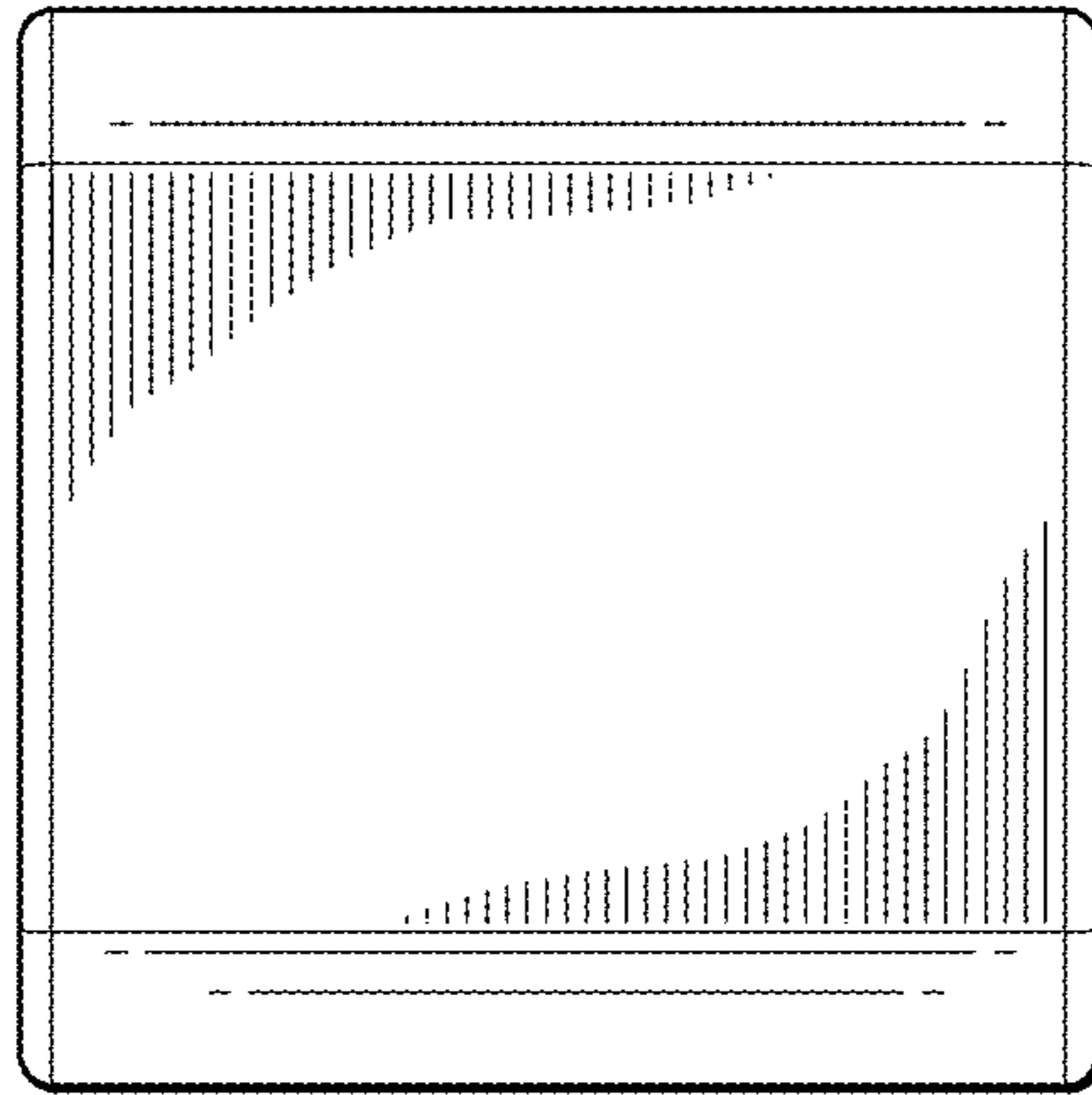


FIG. 4

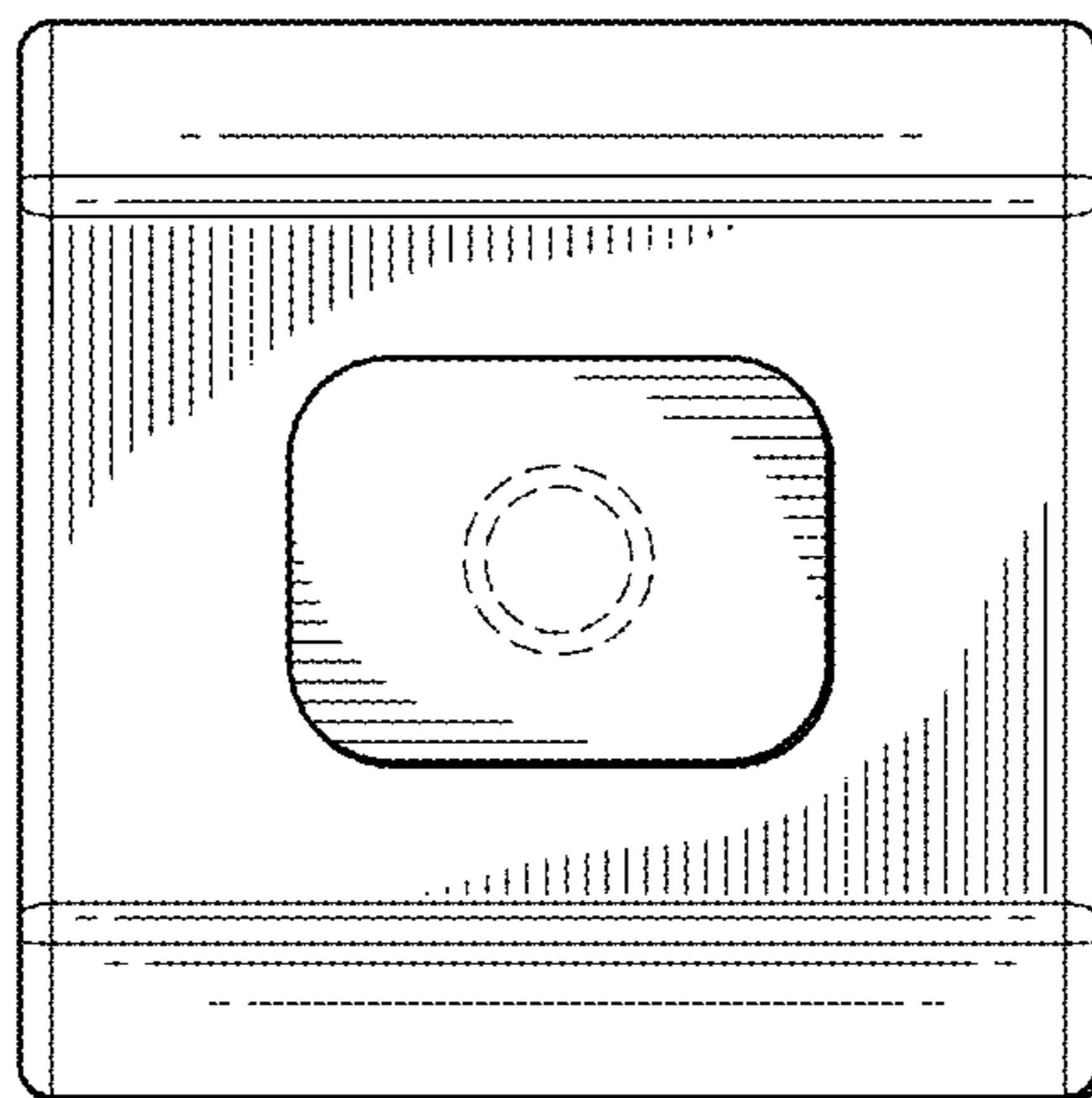


FIG. 5