



US00D833248S

(12) **United States Design Patent**
Ma

(10) **Patent No.:** **US D833,248 S**

(45) **Date of Patent:** **** Nov. 13, 2018**

(54) **DOOR HANDLE**

(71) Applicant: **Centor Design Pty Ltd**, Eagle Farm (AU)

(72) Inventor: **Matthew Ma**, Eagle Farm (AU)

(73) Assignee: **Centor Design Pty Ltd**, Eagle Farm (AU)

(**) Term: **14 Years**

(21) Appl. No.: **29/477,412**

(22) Filed: **Dec. 20, 2013**

(51) **LOC (11) Cl.** **08-06**

(52) **U.S. Cl.**
USPC **D8/302**

(58) **Field of Classification Search**
USPC D8/107, 300-303, 307, 310-317; 70/91, 70/101, 102; 292/36, 37, 101, 138, 140, 292/143, 145, 152, 336.3, 348, 357, 292/DIG. 46

CPC Y10T 292/57; Y10T 292/0839; Y10T 292/1022; Y10T 292/1016; Y10T 292/084; Y10T 292/0951; Y10T 70/5155; Y10T 292/1014; Y10T 292/102; Y10T 70/5832; Y10T 70/5761; Y10T 292/103; Y10T 70/5199; Y10T 16/458; Y10T 70/8541; Y10T 292/0994; Y10T 292/0977; Y10T 292/0997; Y10T 292/1015; Y10T 292/0836; Y10T 292/1083; Y10T 292/0844; Y10T 70/5173; Y10T 292/097; Y10T 292/1041; Y10T 70/8568; Y10T 292/108; Y10T 292/0934; Y10T 292/0917; Y10T 292/0806; Y10T 292/0846; Y10T 29/49826; Y10T 292/0902; Y10T 292/0964; Y10T 292/089; Y10T 74/20732; Y10T 292/0956; Y10T 292/0959; Y10T 292/0968; Y10T 292/0949; Y10T 292/1049; Y10T 292/1075; Y10T 292/0891; Y10T 292/0918; Y10T 292/0962; Y10T

70/8459; Y10T 292/42; Y10T 70/5389; Y10T 292/0826; Y10T 292/0831; Y10T 292/0925; Y10T 292/1013; Y10T 292/0854; Y10T 292/0944; Y10S 292/46; Y10S 292/31;

(Continued)

(56) **References Cited**

U.S. PATENT DOCUMENTS

262,398 A 8/1882 Gerald
490,448 A 1/1893 Lugin
520,065 A 5/1894 Lugin

(Continued)

FOREIGN PATENT DOCUMENTS

BE 902207 A 8/1985
CA 2027827 4/1991

(Continued)

Primary Examiner — Lauren R Calve

(74) *Attorney, Agent, or Firm* — Wells St. John P.S.

(57) **CLAIM**

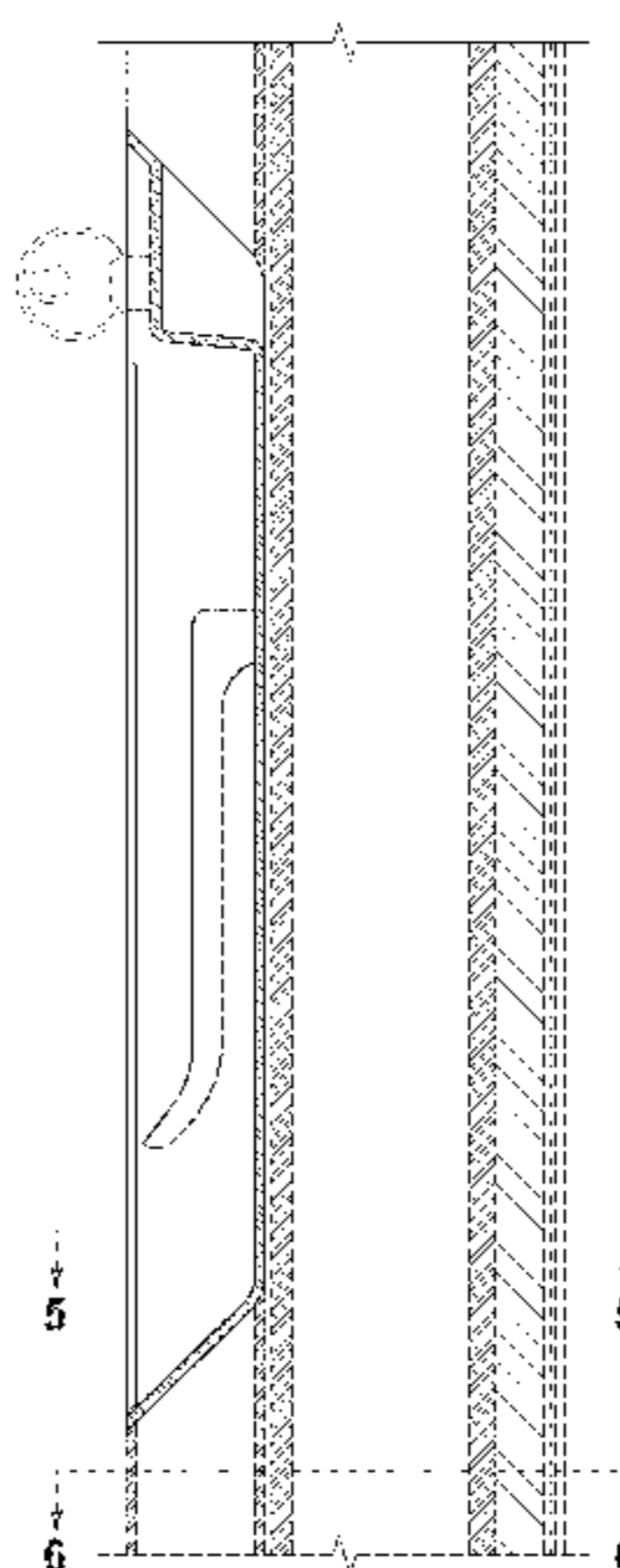
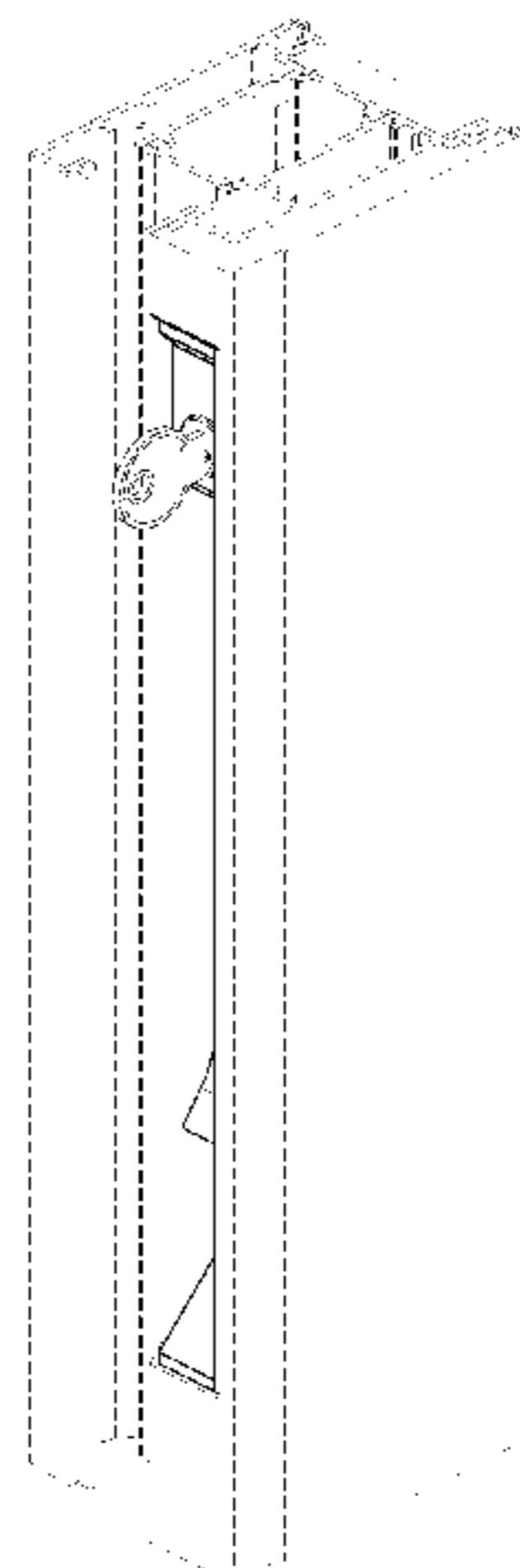
I claim the ornamental design for a door handle, as shown and described.

DESCRIPTION

FIG. 1 is a perspective view of a door handle according to the present design;
FIG. 2 is a second perspective view thereof;
FIG. 3 is a sectional view thereof, taken along lines 3-3 of FIG. 4;
FIG. 4 is a front view thereof;
FIG. 5 is a second sectional view thereof, taken along lines 5-5 of FIG. 3; and,
FIG. 6 is a third sectional view thereof, taken along lines 6-6 of FIG. 3.

The broken lines shown represent unclaimed matter and form no part of the claimed design.

1 Claim, 5 Drawing Sheets



(58) **Field of Classification Search**
 CPC Y10S 292/53; E05B 85/16; E05B 3/06;
 E05B 85/10
 See application file for complete search history.

| | | | |
|--------------|-----|--------|---------------------------|
| 2004/0154758 | A1 | 8/2004 | Cheng |
| 2005/0051283 | A1 | 3/2005 | Chatellard |
| 2005/0077017 | A1 | 4/2005 | Ramsey |
| 2005/0161175 | A1 | 7/2005 | Tussinger |
| 2006/0090858 | A1 | 5/2006 | Heidenreich |
| 2008/0062516 | A1 | 3/2008 | Stewart et al. |
| 2008/0148790 | A1* | 6/2008 | Friese et al. 70/101 |
| 2008/0163988 | A1 | 7/2008 | Hicks et al. |

(56) **References Cited**

U.S. PATENT DOCUMENTS

| | | | |
|-----------|------|---------|-------------------------------|
| 1,121,898 | A | 12/1914 | Davis |
| 1,134,328 | A | 4/1915 | Gambon |
| 1,330,447 | A | 2/1920 | Pech |
| 1,385,131 | A | 7/1921 | Horn |
| 1,594,812 | A | 8/1926 | Blackburn |
| 1,760,612 | A | 5/1930 | Trott |
| 1,964,114 | A * | 6/1934 | Gerlach et al. 292/36 |
| 2,013,500 | A | 9/1935 | O'Connor |
| 3,386,489 | A | 6/1968 | Denton et al. |
| 3,556,573 | A * | 1/1971 | Miller 292/143 |
| 4,406,519 | A | 9/1983 | Shaw |
| 4,691,753 | A | 9/1987 | Baier |
| 4,819,295 | A | 4/1989 | Kaftan |
| 4,823,859 | A | 4/1989 | Park |
| 5,390,596 | A | 2/1995 | Farr |
| 5,522,314 | A | 6/1996 | Newman, Jr. |
| 5,659,999 | A | 8/1997 | Benson |
| 5,758,704 | A | 6/1998 | Elrod |
| 6,742,565 | B2 | 6/2004 | Badley |
| 6,938,666 | B1 | 9/2005 | Ulriksen |
| D520,334 | S * | 5/2006 | Christie D8/313 |
| 7,240,400 | B2 | 7/2007 | Bonham |
| 7,710,646 | B2 | 5/2010 | Stewart et al. |
| 8,381,557 | B2 * | 2/2013 | Mak 70/277 |
| 8,496,277 | B2 * | 7/2013 | Commons et al. 292/336.3 |
| D792,186 | S * | 7/2017 | Key D8/302 |

FOREIGN PATENT DOCUMENTS

| | | |
|----|-------------------|---------|
| CN | 2237105 | 10/1996 |
| DE | 3936913 | 5/1991 |
| DE | 19807541 | 7/1999 |
| EP | 0207040 | 12/1986 |
| EP | 0429898 | 6/1991 |
| EP | 0911476 A1 | 10/1997 |
| EP | 0911476 B1 | 10/1997 |
| EP | 07718977 | 11/2012 |
| EP | 13179466 | 12/2013 |
| FR | 2546225 | 11/1984 |
| FR | 2558518 | 7/1985 |
| FR | 2563860 | 11/1985 |
| FR | 2594173 A1 | 8/1987 |
| FR | 2686372 | 7/1993 |
| JP | 9303068 | 11/1997 |
| JP | 10-72988 | 3/1998 |
| WO | WO 1987/004485 | 7/1987 |
| WO | WO | 8/2007 |
| | PCT/AU2007/000731 | |
| WO | WO | 2/2008 |
| | PCT/AU2007/000731 | |
| WO | WO | 5/2008 |
| | PCT/AU2007/000731 | |

* cited by examiner

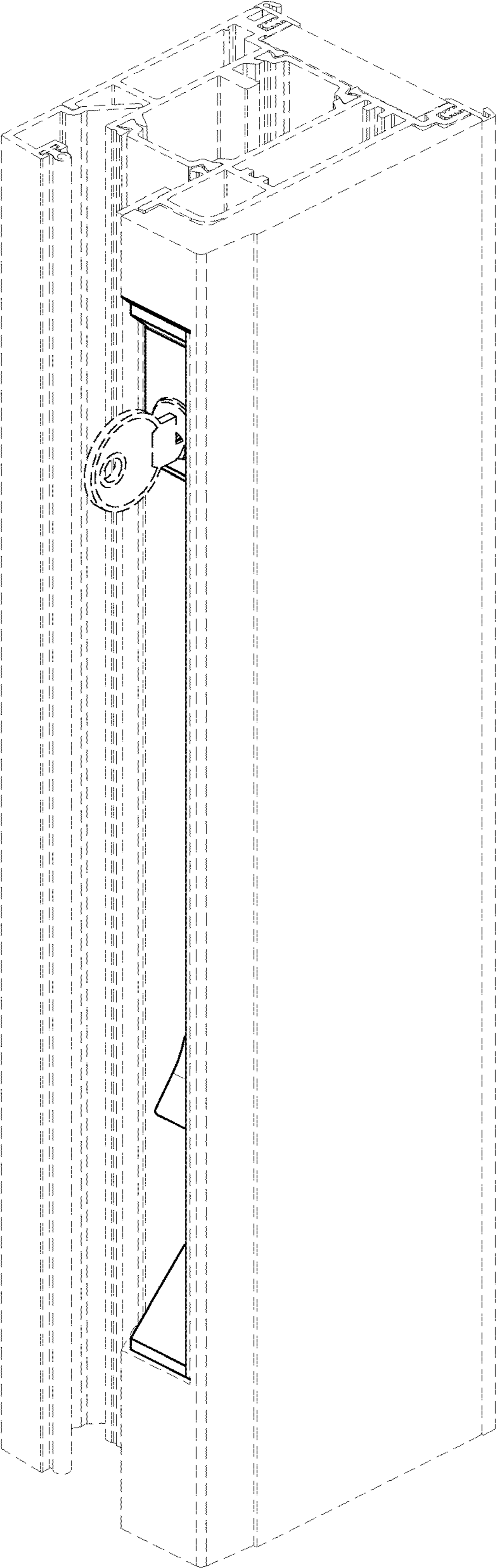


FIG. 1

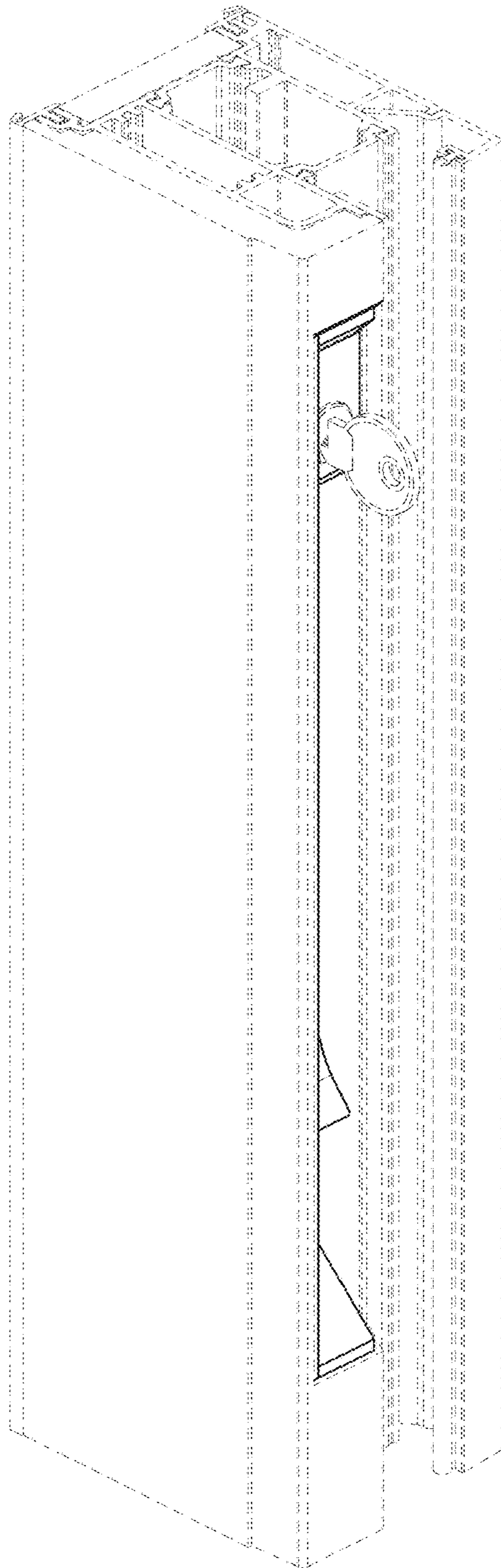


FIG. 2

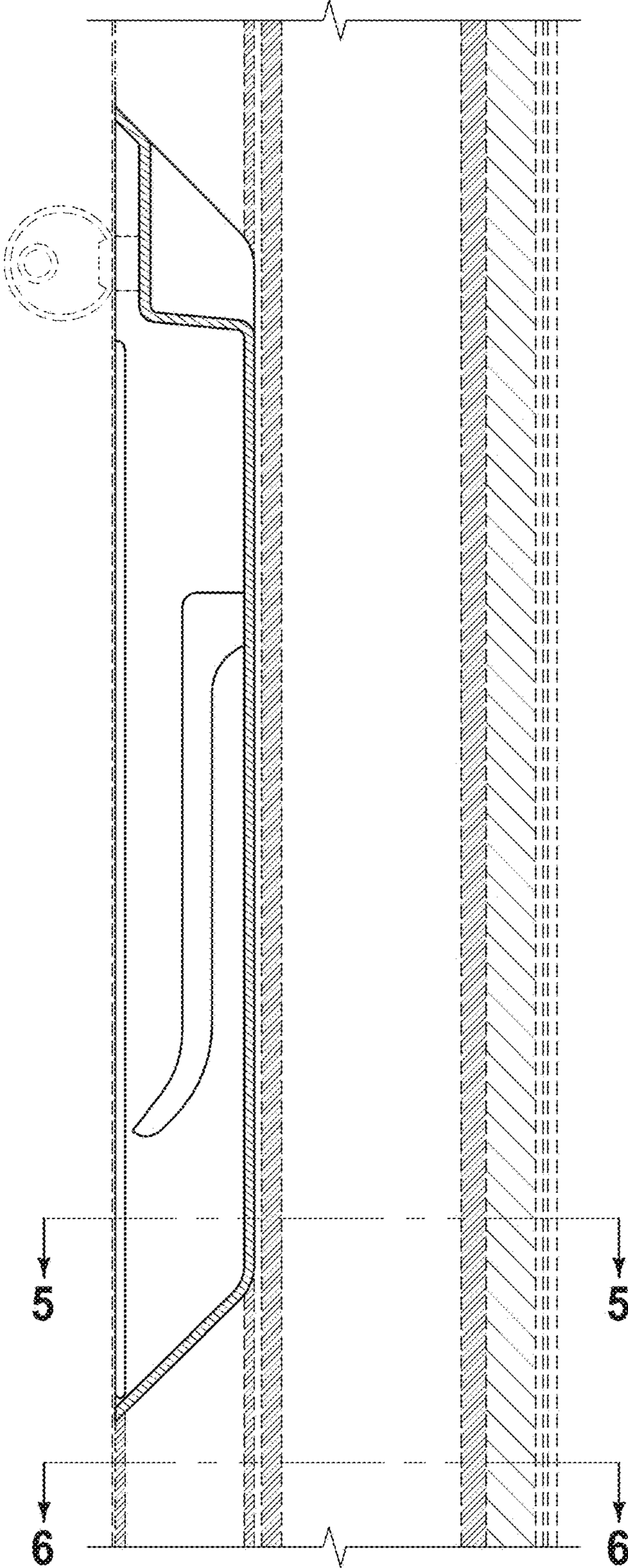


FIG. 3

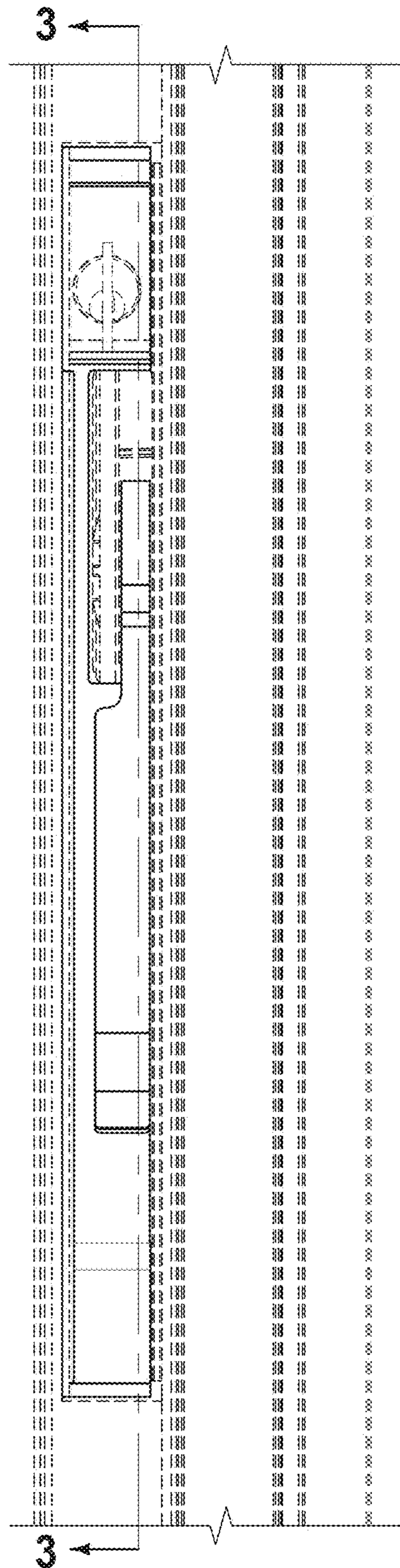


FIG. 4

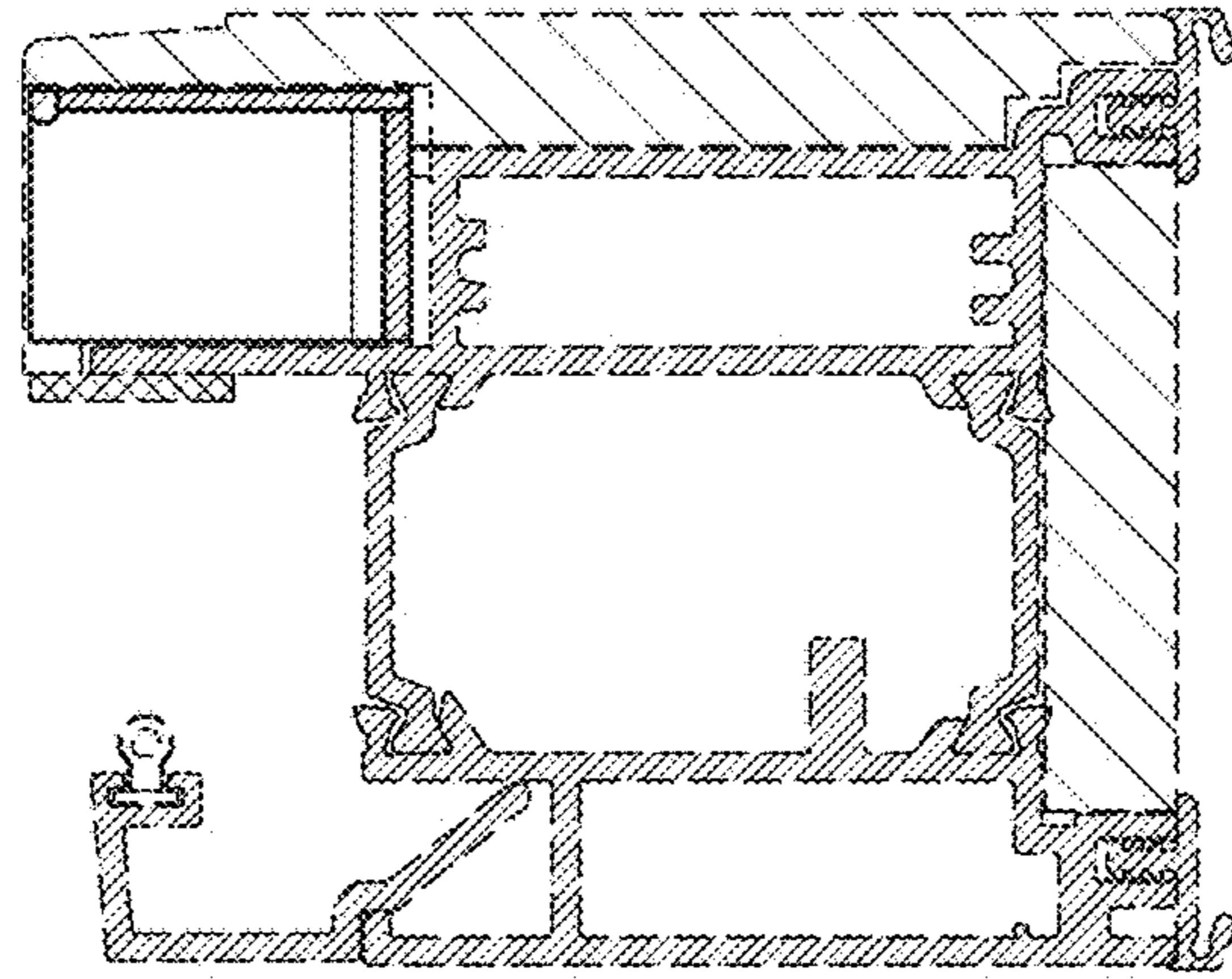


FIG. 5

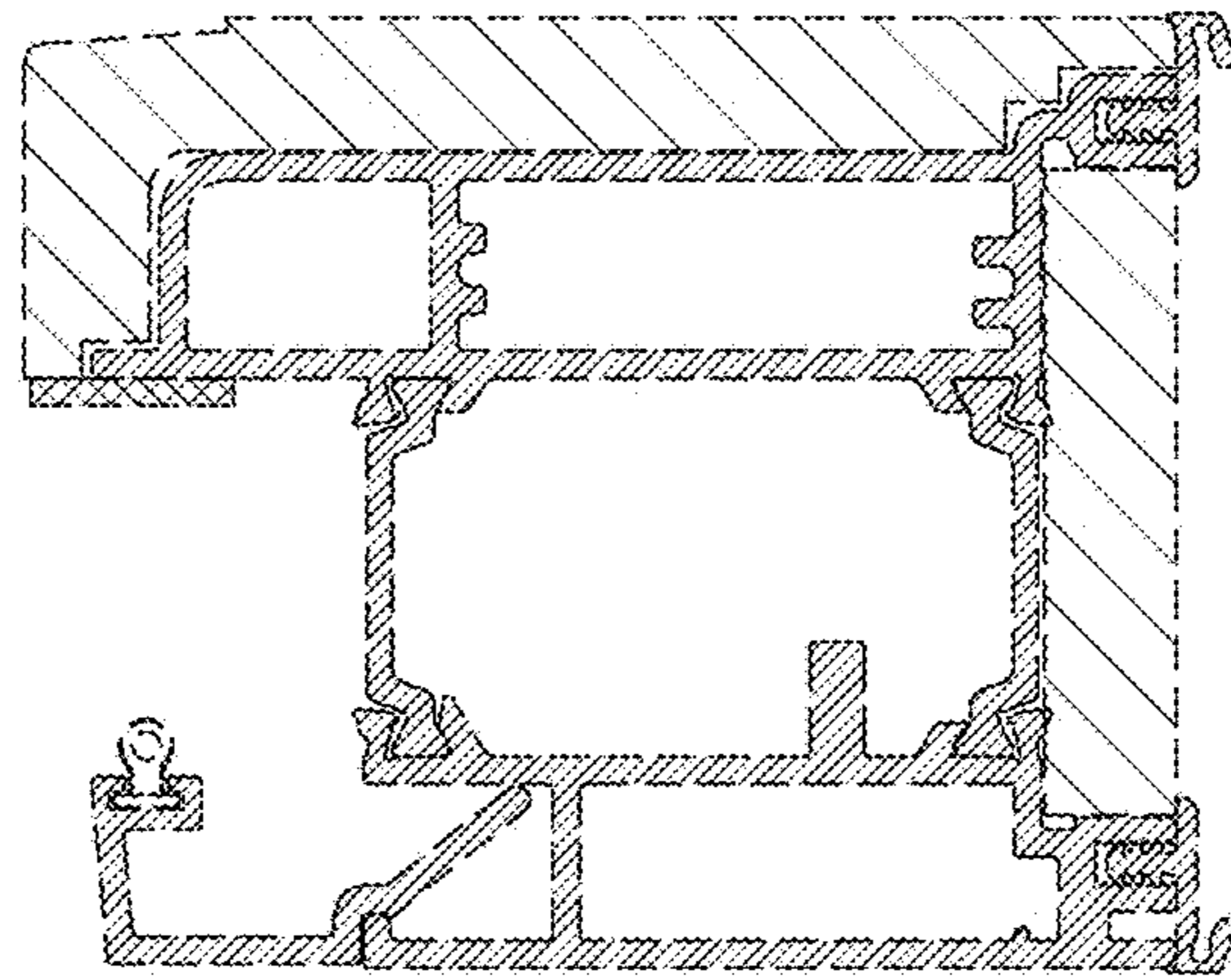


FIG. 6