



US00D833247S

(12) **United States Design Patent**
Huang

(10) **Patent No.:** **US D833,247 S**

(45) **Date of Patent:** **** Nov. 13, 2018**

(54) **SCREWDRIVER BIT**

(71) Applicant: **Mei-Hua Huang**, Tainan (TW)

(72) Inventor: **Mei-Hua Huang**, Tainan (TW)

(**) Term: **15 Years**

(21) Appl. No.: **29/584,932**

(22) Filed: **Nov. 18, 2016**

(51) **LOC (11) Cl.** **08-04**

(52) **U.S. Cl.**
USPC **D8/86**

(58) **Field of Classification Search**
USPC D8/14, 82, 86, 70, 105
CPC B25B 23/0035; B25B 23/0042; B25B
15/001; B25B 15/003; B25B 15/005;
B25B 15/002; B25B 15/008; B25B
15/004; B25B 15/02; B25B 15/04; B25B
17/00; B25B 27/18

See application file for complete search history.

5,555,781 A * 9/1996 Pool B25B 13/481
81/177.5

6,575,057 B1 * 6/2003 Ploeger B25B 13/48
81/441

D522,821 S * 6/2006 Hsieh D8/29

D614,931 S * 5/2010 Su D8/86

D769,690 S * 10/2016 Campbell, II F16B 23/003
D8/86

2013/0068075 A1 * 3/2013 Stiebitz F16B 23/003
81/460

2016/0059391 A1 * 3/2016 Hettich B25B 15/005
81/460

2016/0061246 A1 * 3/2016 Campbell B25B 15/004
81/436

* cited by examiner

Primary Examiner — Philip S Hyder

(74) *Attorney, Agent, or Firm* — Rosenberg, Klein & Lee

(57) **CLAIM**

The ornamental design for a screwdriver bit, as shown and described.

DESCRIPTION

FIG. 1 is a perspective view of a screwdriver bit showing my new design;

FIG. 2 is a front elevational view thereof;

FIG. 3 is a rear elevational view thereof;

FIG. 4 is a left side elevational view thereof;

FIG. 5 is a right side elevational view thereof;

FIG. 6 is a top plan view thereof; and,

FIG. 7 is a sectional view of 7-7 in FIG. 6.

The broken lines shown in the drawings illustrate portions of the screwdriver bit that form no part of the claimed design.

1 Claim, 7 Drawing Sheets

(56) **References Cited**
U.S. PATENT DOCUMENTS

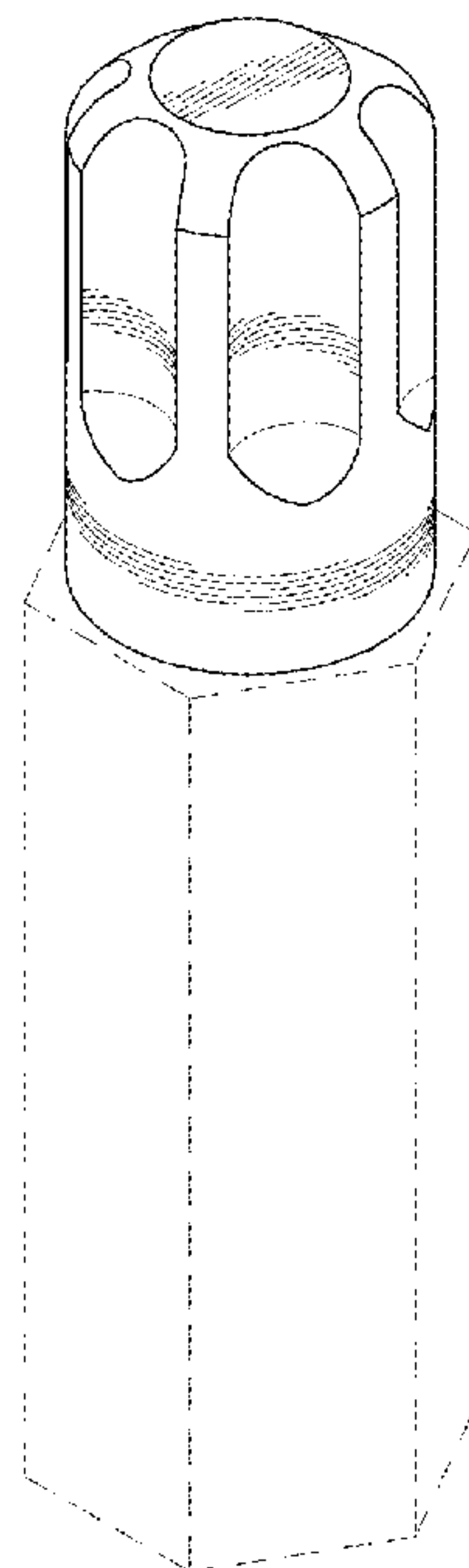
3,354,757 A * 11/1967 Grimm B25B 13/04
411/410

4,685,823 A * 8/1987 Lopez F16D 1/06
29/558

5,019,080 A * 5/1991 Hemer A61B 17/8615
411/402

5,237,893 A * 8/1993 Ryder B25B 23/108
81/436

5,291,811 A * 3/1994 Goss B25B 13/065
411/404



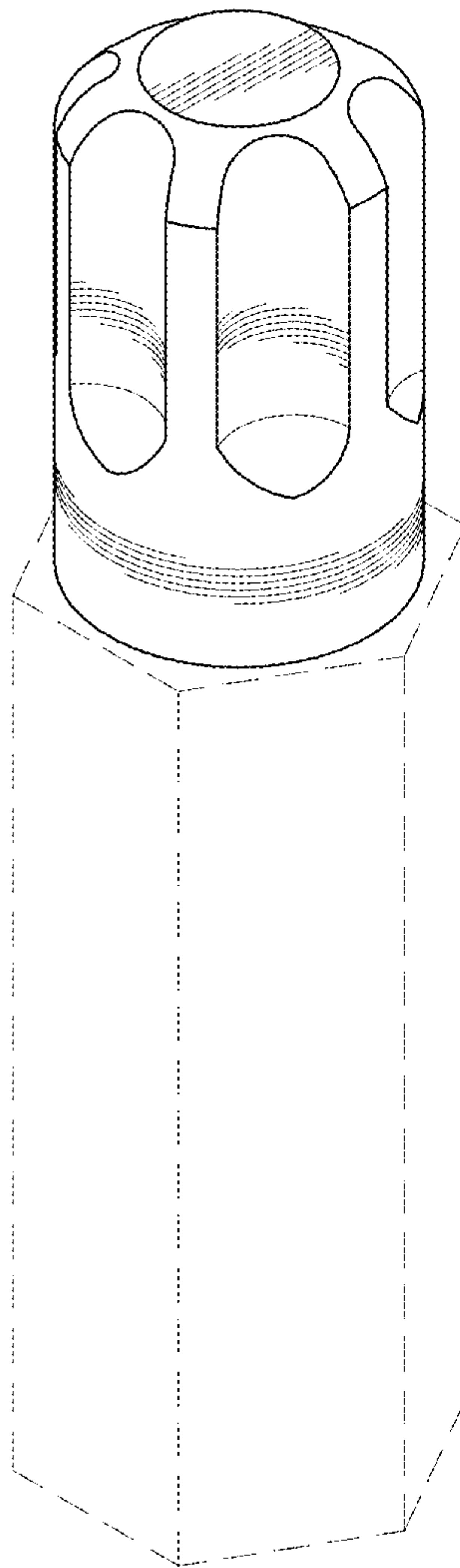


FIG. 1

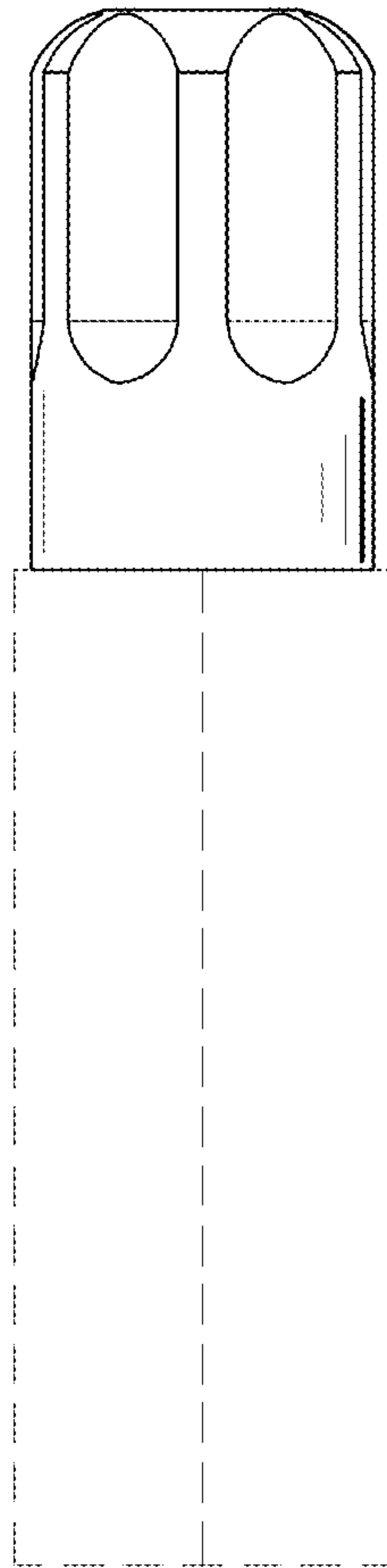


FIG. 2

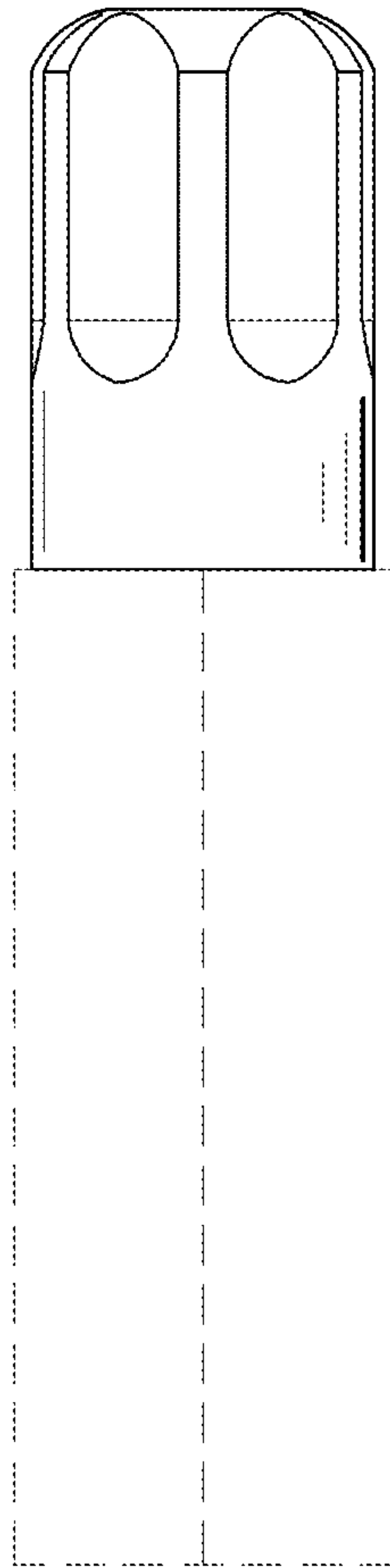


FIG. 3

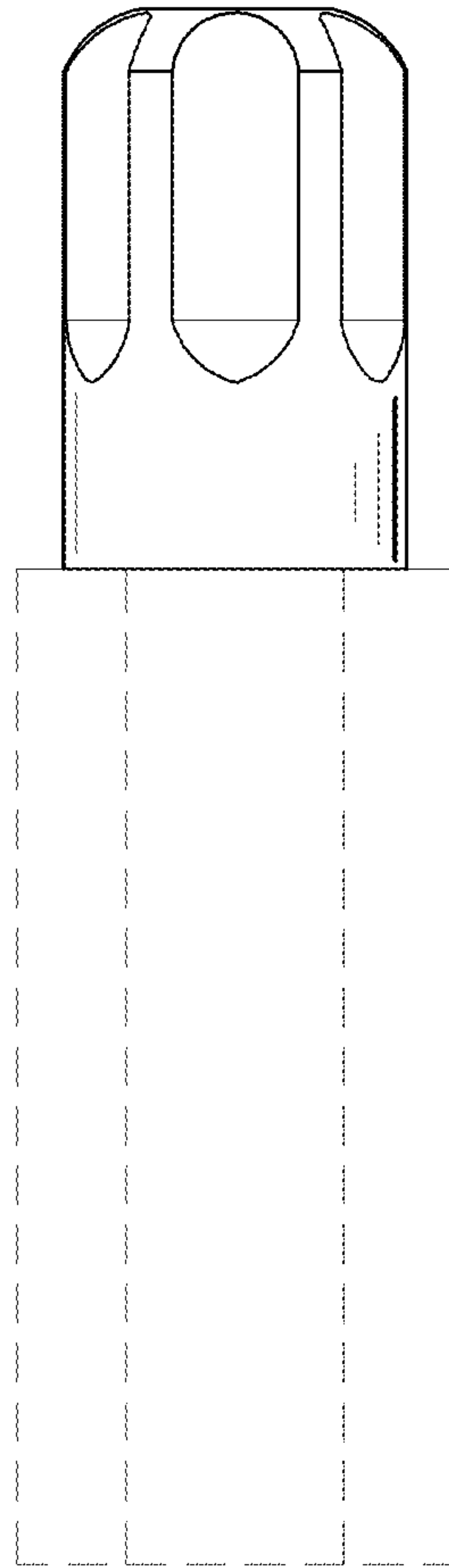


FIG. 4

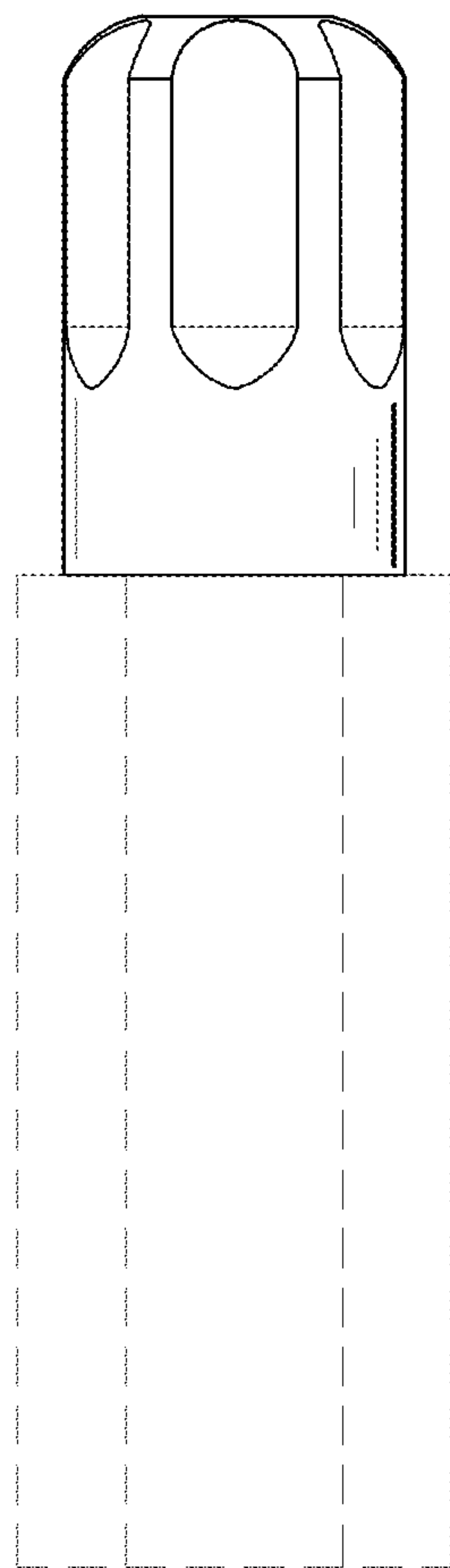


FIG. 5

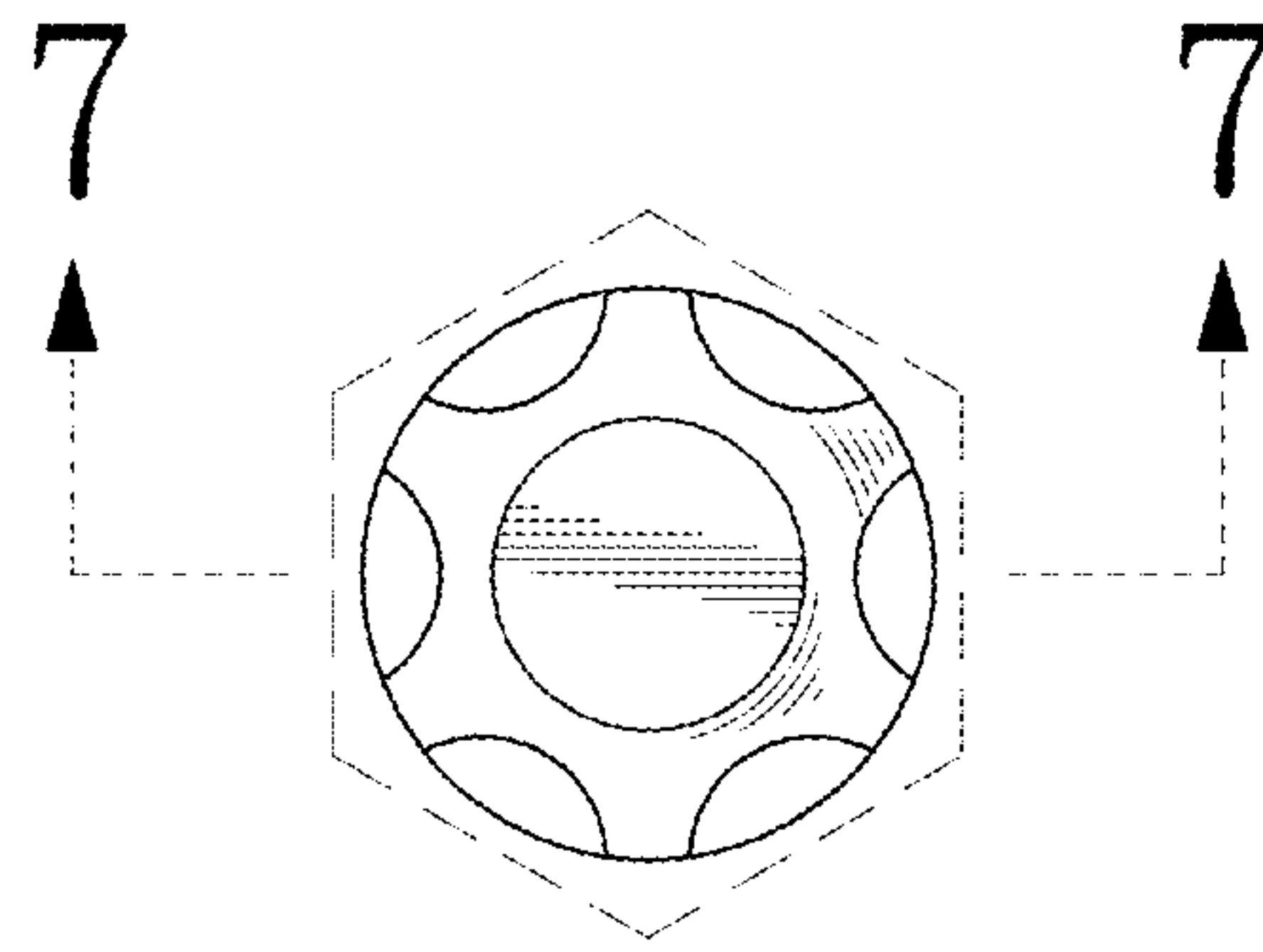


FIG. 6

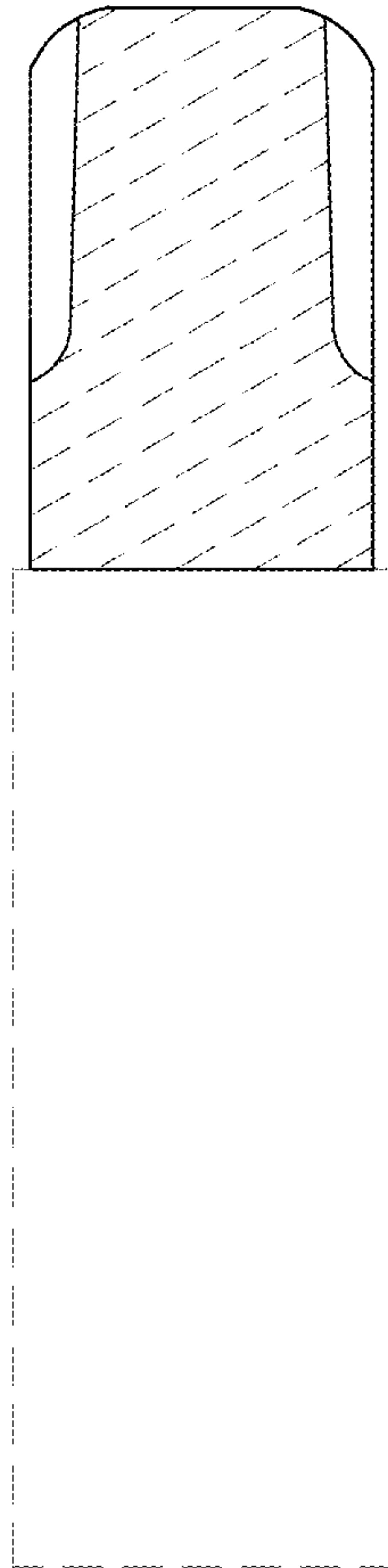


FIG. 7