



US00D833246S

(12) **United States Design Patent** (10) **Patent No.:** **US D833,246 S**  
**West et al.** (45) **Date of Patent:** **\*\* Nov. 13, 2018**

(54) **HAMMER**  
(71) Applicant: **Estwing Manufacturing Company, Inc.**, Rockford, IL (US)  
(72) Inventors: **Joshua D. West**, Rockford, IL (US); **Robert H. Youngren**, Stillman Valley, IL (US)  
(73) Assignee: **Estwing Manufacturing Company, Inc.**, Rockford, IL (US)  
(\*\*) Term: **15 Years**  
(21) Appl. No.: **29/601,815**  
(22) Filed: **Apr. 26, 2017**

D672,218 S \* 12/2012 Youngren ..... D8/78  
D683,608 S \* 6/2013 Trice ..... A62B 3/005  
D8/78  
D716,628 S \* 11/2014 West ..... D8/78  
D730,134 S \* 5/2015 Youngren ..... D8/47  
2014/0103276 A1\* 4/2014 Fegan ..... B25G 1/102  
254/26 R

(Continued)

*Primary Examiner* — Philip S Hyder  
(74) *Attorney, Agent, or Firm* — Quarles & Brady LLP

(57) **CLAIM**

The ornamental design for a hammer, as shown and described.

**DESCRIPTION**

FIG. 1 is an isometric view of a front, top, and left side of an ornamental design for a hammer;  
FIG. 2 is a left side elevational view of the hammer of FIG. 1;  
FIG. 3 is a right side elevational view of the hammer of FIG. 1;  
FIG. 4 is a rear elevational view of the hammer of FIG. 1;  
FIG. 5 is a front elevational view of the hammer of FIG. 1;  
FIG. 6 is a top plan view of the hammer of FIG. 1; and,  
FIG. 7 is a bottom plan view of the hammer of FIG. 1.  
The boundaries of the side walls of the hammer are defined between the disclosed solid lines and the farthest-most shade lines along the side walls. Further, the boundaries of the top wall of the hammer are defined between the disclosed solid lines and the farthest-most shade lines along the top wall of the head. The dash-dash-dash-dash lines are for the purpose of illustrating environmental structure and form no part of the claimed design. The dash-dot-dash lines depict boundary lines of the design and form no part of the claimed design.

**Related U.S. Application Data**

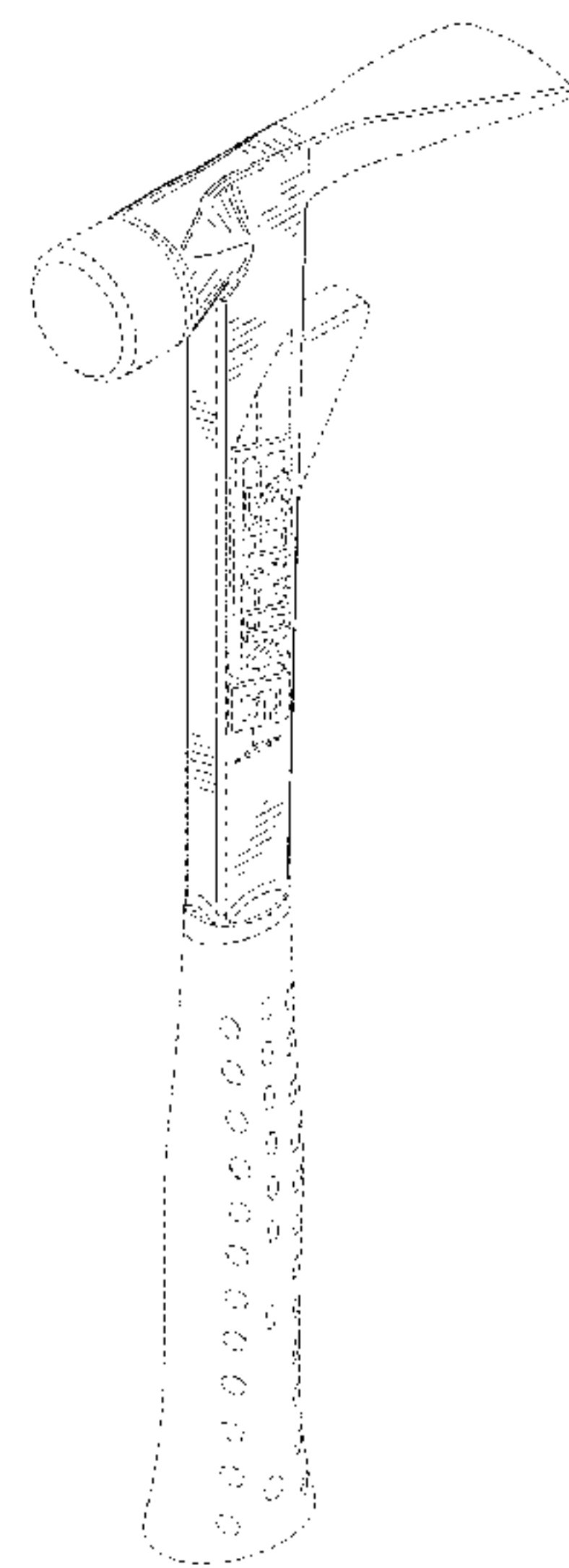
(62) Division of application No. 29/493,110, filed on Jun. 5, 2014, now Pat. No. Des. 788,562.  
(51) **LOC (11) Cl.** ..... **08-02**  
(52) **U.S. Cl.**  
USPC ..... **D8/78**  
(58) **Field of Classification Search**  
USPC ..... D8/75-81; D22/117; 81/19-26, 81/489-490; 254/26 R  
CPC .... B23K 9/28; B25F 1/00; B25D 1/00; B25D 1/02; B25D 1/04; B25D 1/045; B25D 1/06; B25D 1/12; B25G 1/02  
See application file for complete search history.

**References Cited**

**U.S. PATENT DOCUMENTS**

D271,275 S \* 11/1983 Richilano ..... D8/26  
D303,208 S \* 9/1989 Chung ..... D8/75  
D549,064 S \* 8/2007 Youngren ..... D8/75  
D549,066 S \* 8/2007 Youngren ..... D8/78

**1 Claim, 5 Drawing Sheets**



(56)

**References Cited**

U.S. PATENT DOCUMENTS

2014/0165787	A1 *	6/2014	Lombardi .....	B25G 1/02
				81/22
2015/0251303	A1 *	9/2015	Flosi .....	B25D 1/12
				81/22

\* cited by examiner

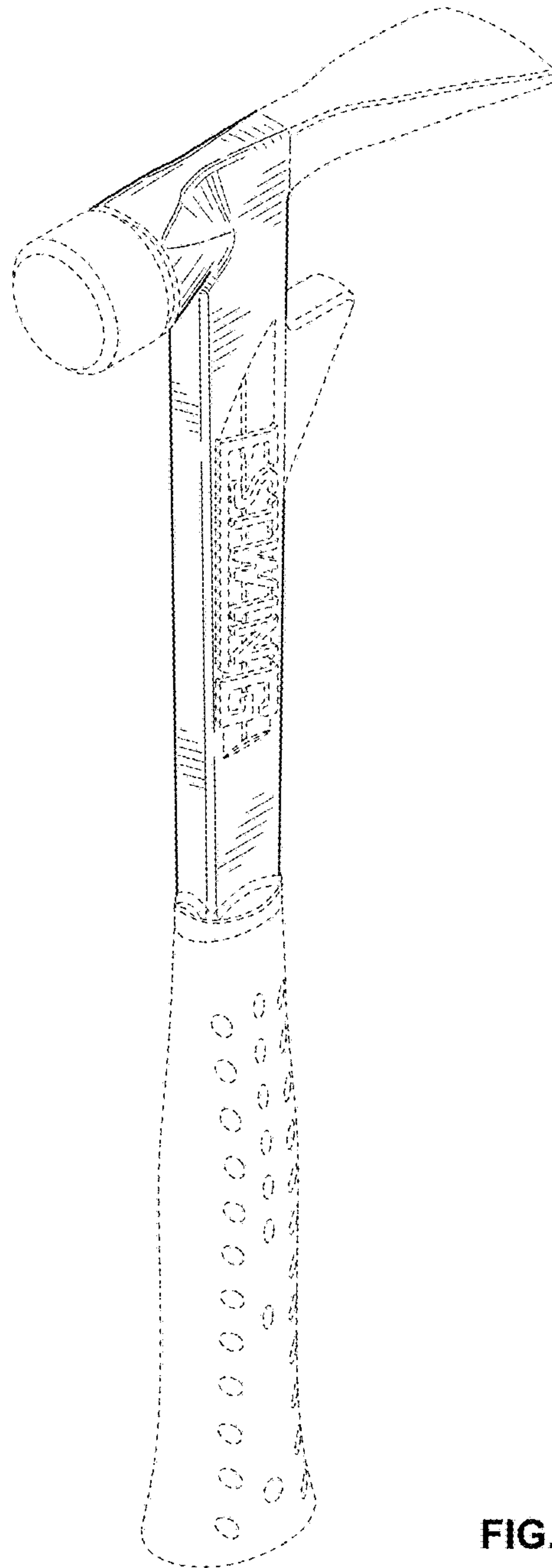


FIG. 1

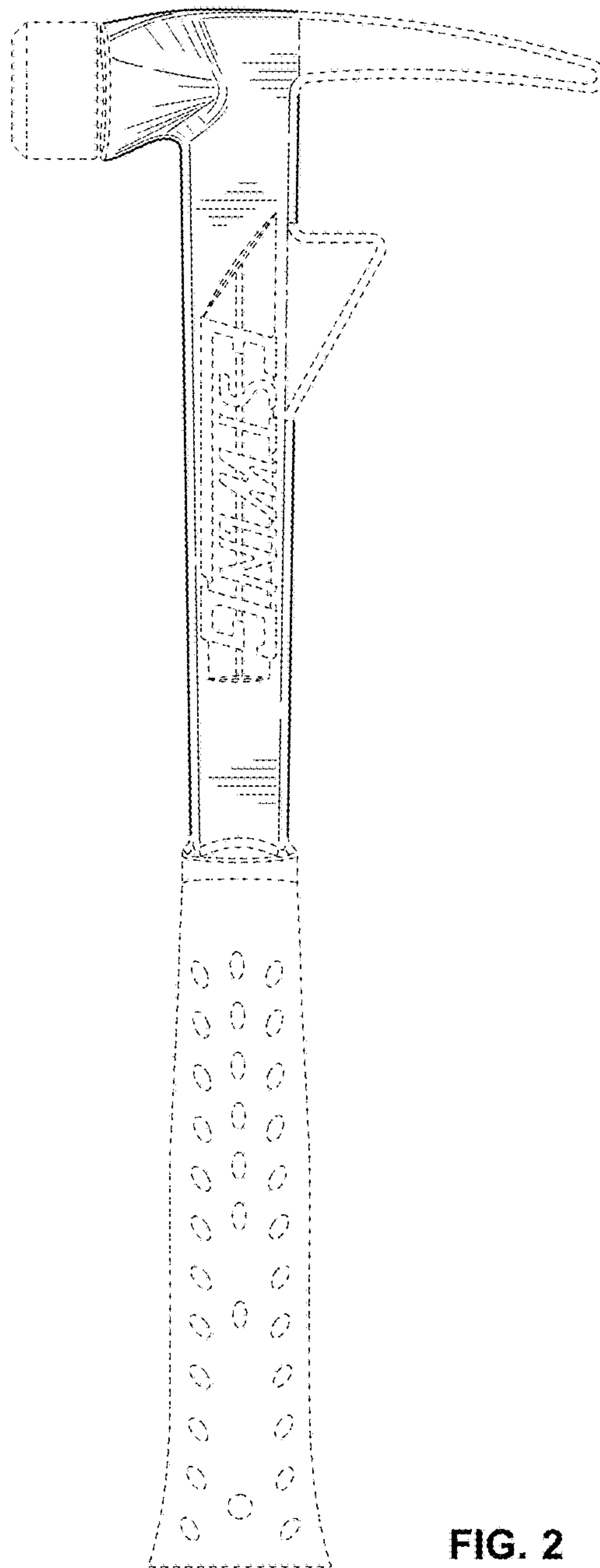


FIG. 2

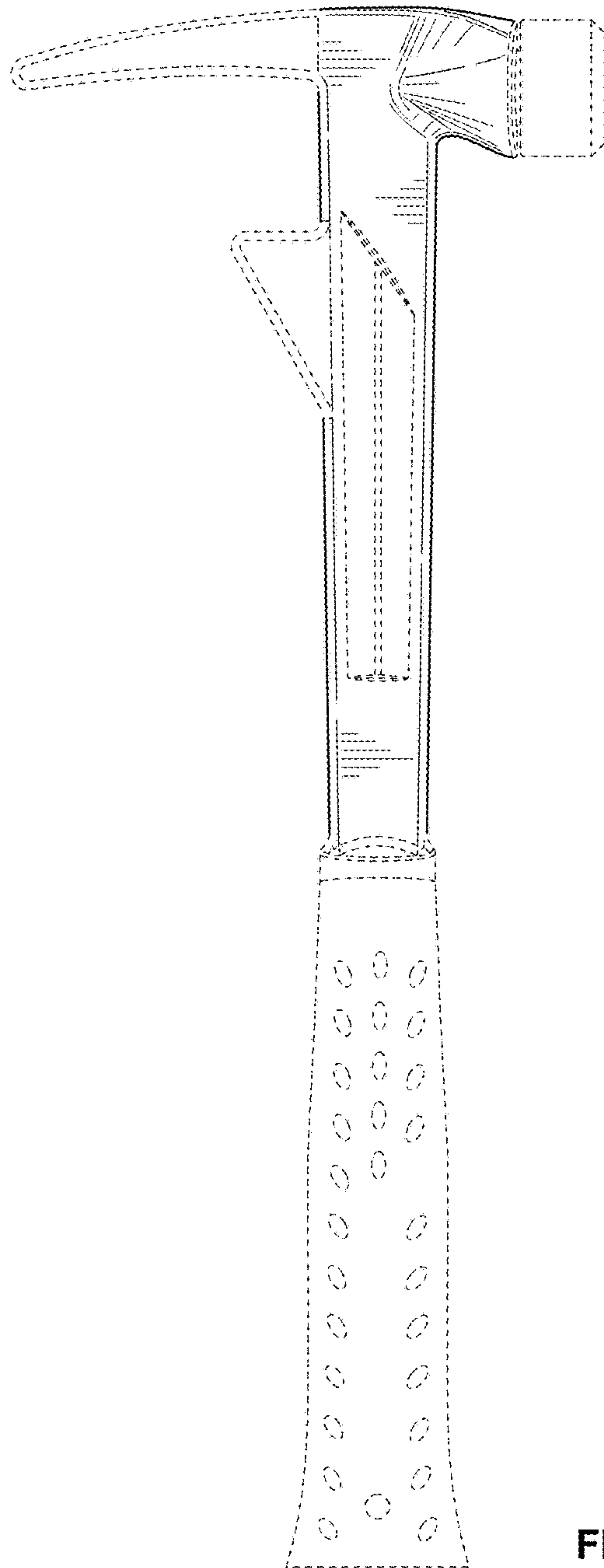


FIG. 3

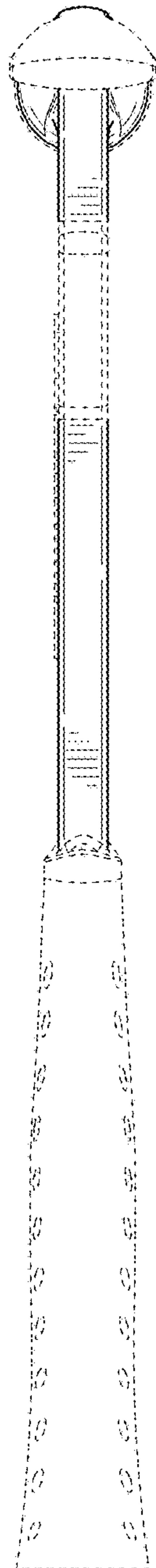


FIG. 4

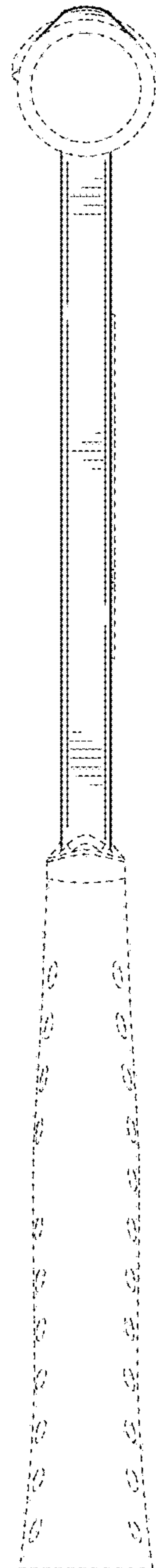


FIG. 5

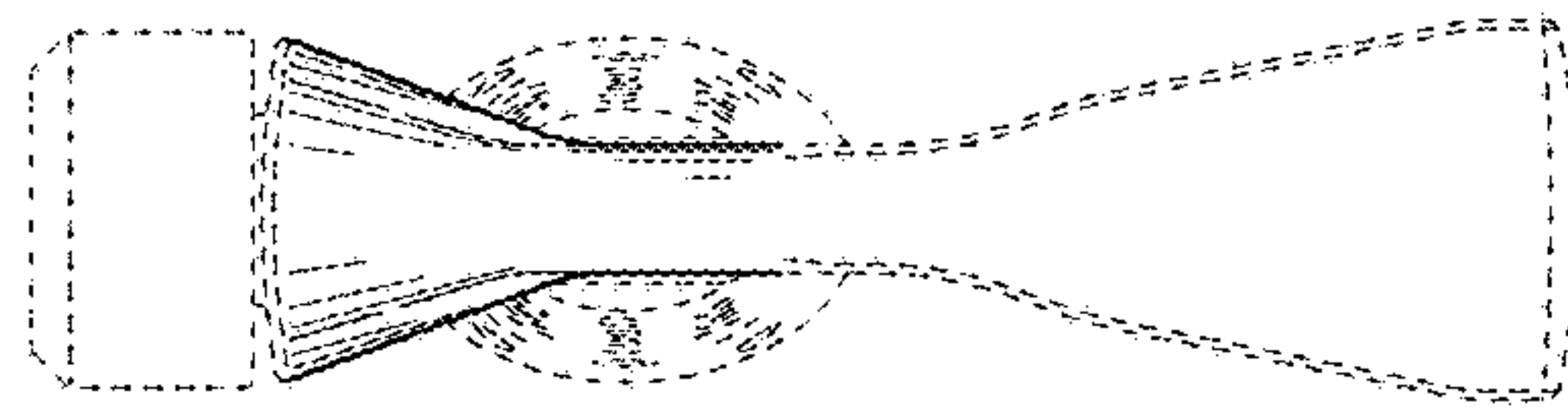


FIG. 6

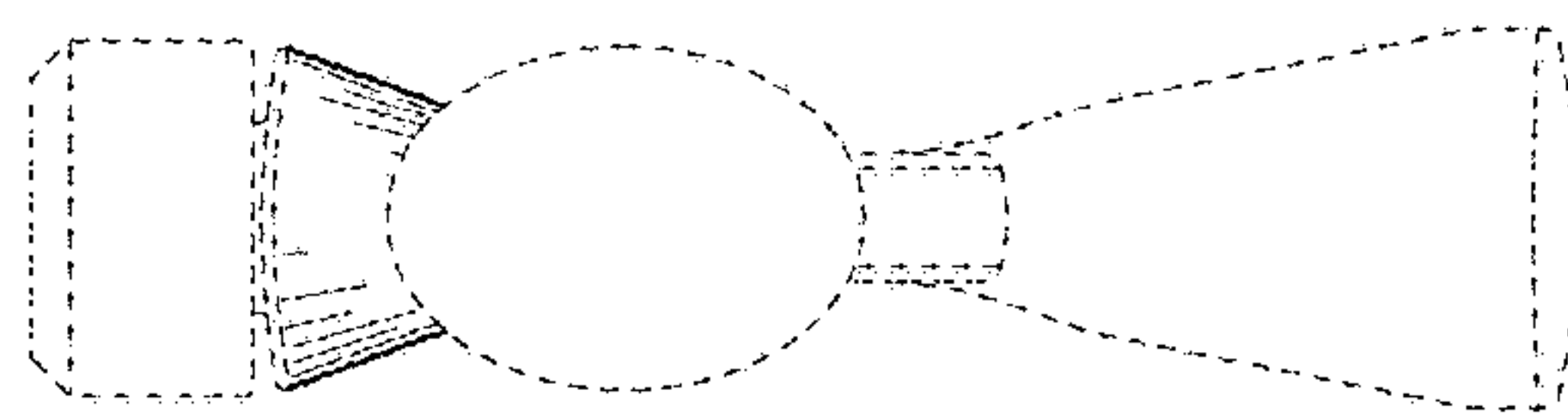


FIG. 7