



US00D833243S

(12) **United States Design Patent**
Jaeger

(10) **Patent No.:** **US D833,243 S**

(45) **Date of Patent:** **** Nov. 13, 2018**

- (54) **BUTTON APPLICATOR DEVICE**
- (71) Applicant: **Janet Jaeger**, Crown Point, IN (US)
- (72) Inventor: **Janet Jaeger**, Crown Point, IN (US)
- (**) Term: **15 Years**
- (21) Appl. No.: **29/619,836**
- (22) Filed: **Oct. 2, 2017**
- (51) **LOC (11) Cl.** **08-05**
- (52) **U.S. Cl.**
USPC **D8/52**
- (58) **Field of Classification Search**
USPC D8/4, 5, 51-58
CPC .. B25B 7/123; B25B 7/12; B25B 7/10; B25B
7/02; B25B 7/14; B25B 7/16; B25B 7/04
See application file for complete search history.

- 3,923,229 A * 12/1975 Kruger A41H 37/006
227/144
- 3,984,041 A * 10/1976 LePage A41H 37/006
227/144
- D558,003 S * 12/2007 Lai D8/5
- D575,123 S * 8/2008 Jonasson D8/52
- D581,231 S * 11/2008 Williams D8/52
- D777,542 S * 1/2017 Foote D8/52
- 2011/0114693 A1 * 5/2011 Lin B25B 7/02
227/15

* cited by examiner

Primary Examiner — Deanna L Pratt

(74) *Attorney, Agent, or Firm* — IPS Legal Group, P.A.

(57) **CLAIM**

An ornamental design for a button applicator device, as shown.

DESCRIPTION

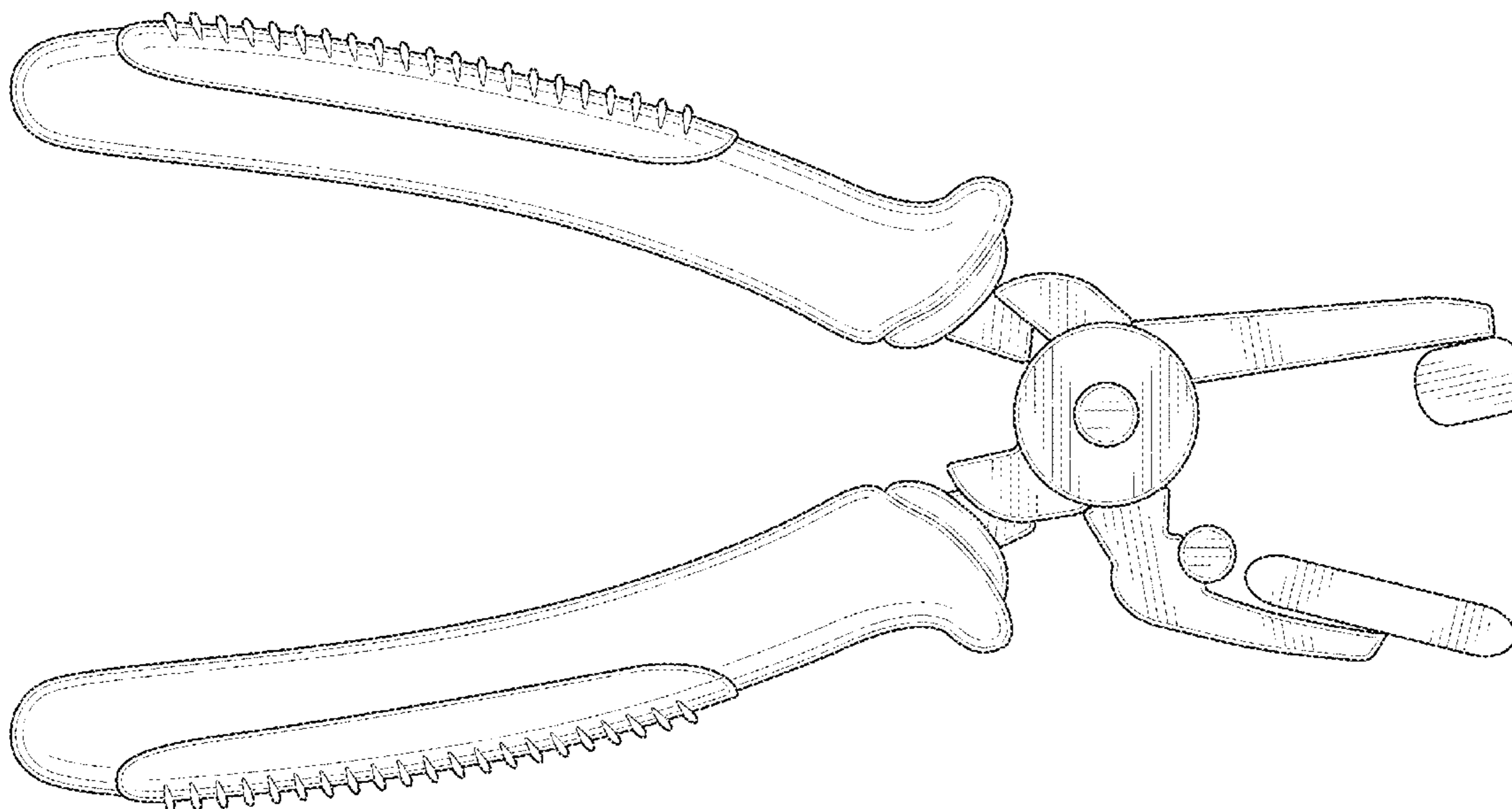
FIG. 1 is a perspective view of the present invention.
 FIG. 2 is a right view of the present invention.
 FIG. 3 is a left view of the present invention.
 FIG. 4 is a top view of the present invention.
 FIG. 5 is a bottom view of the present invention.
 FIG. 6 is a front view of the present invention; and,
 FIG. 7 is a back view of the present invention.

1 Claim, 5 Drawing Sheets

(56) **References Cited**

U.S. PATENT DOCUMENTS

- D58,467 S * 7/1921 Durham D8/58
- 3,019,442 A * 2/1962 Hoeckele A41H 37/006
227/141
- 3,250,450 A * 5/1966 Le Page A41H 37/006
227/144



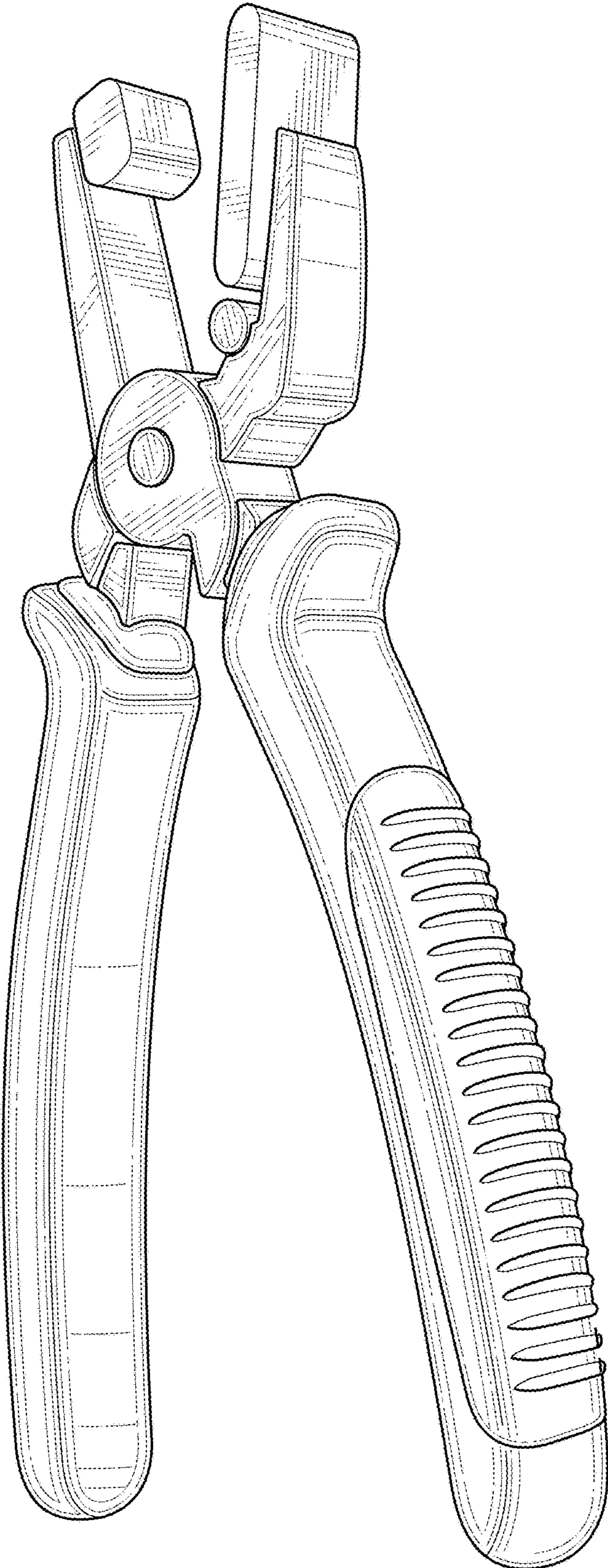


FIG. 1

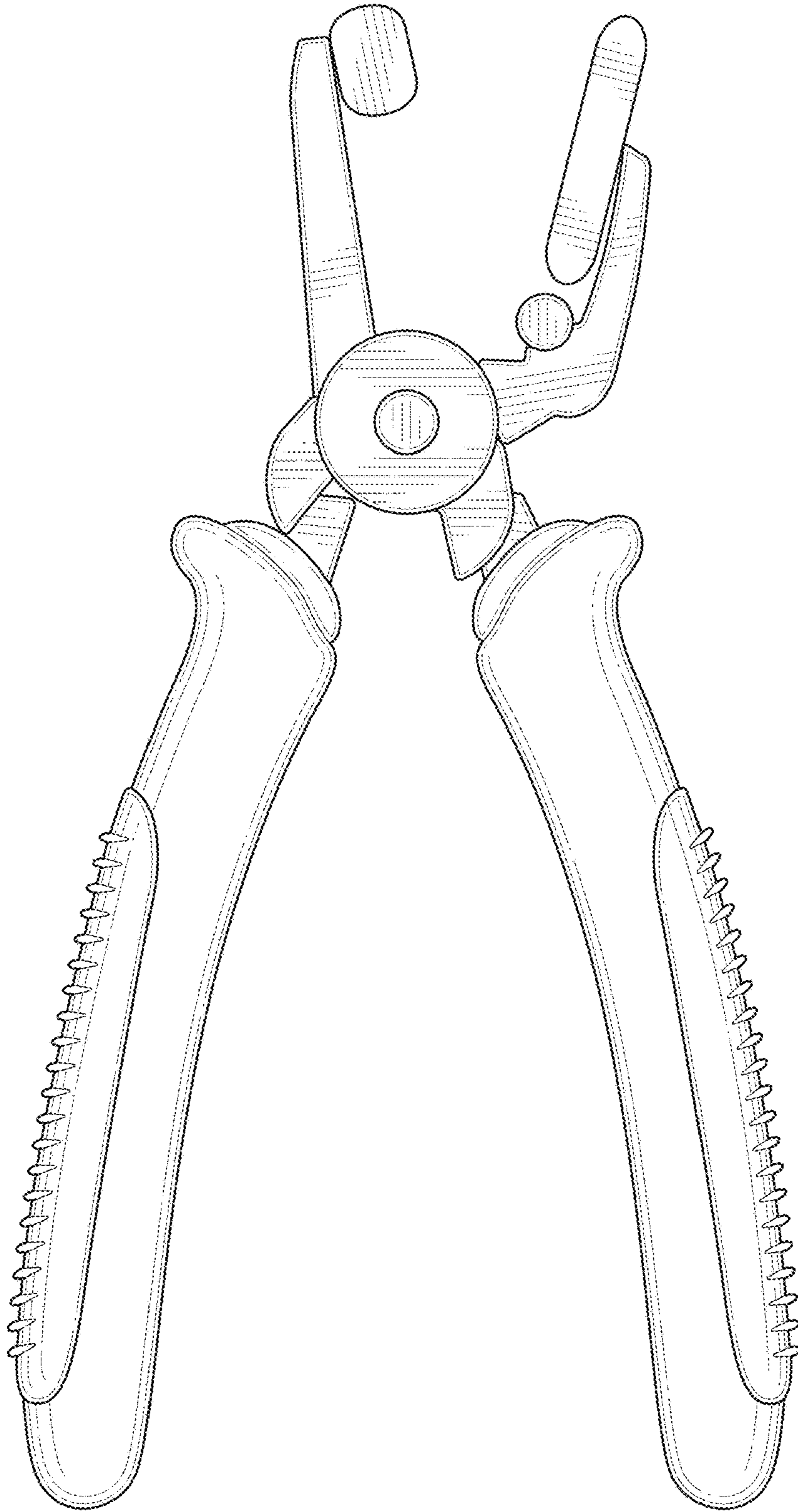


FIG. 2

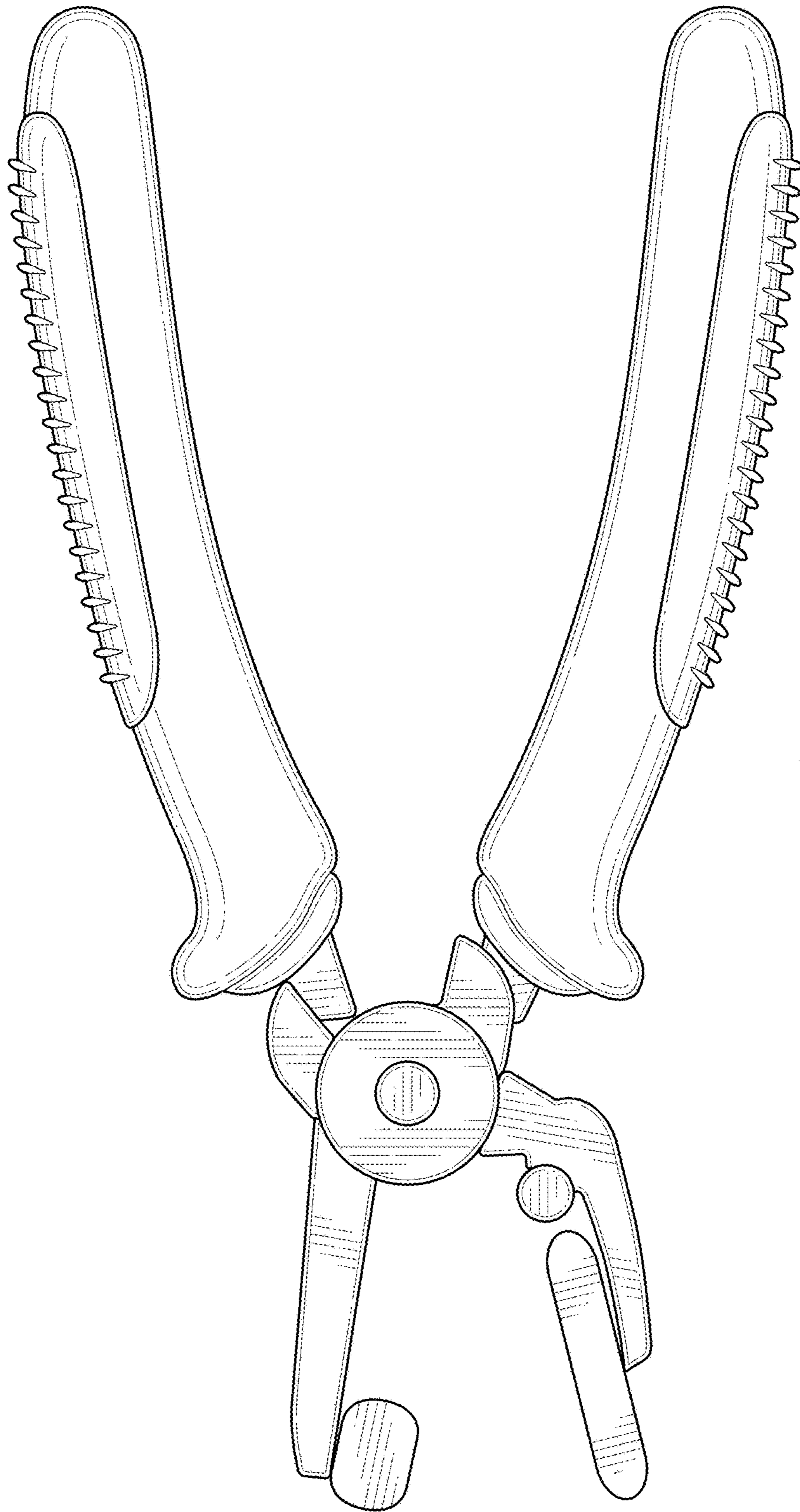


FIG. 3

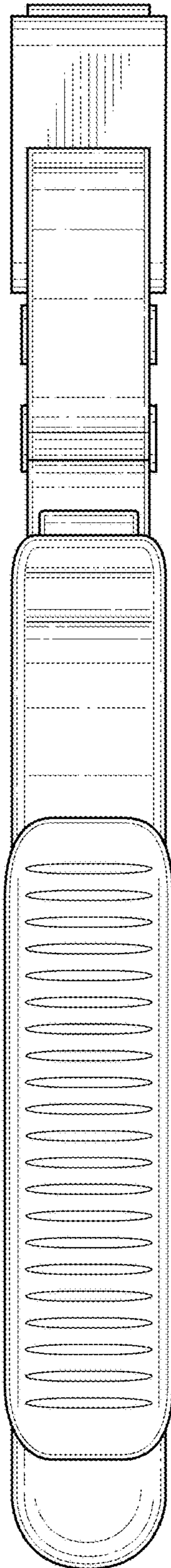


FIG. 4

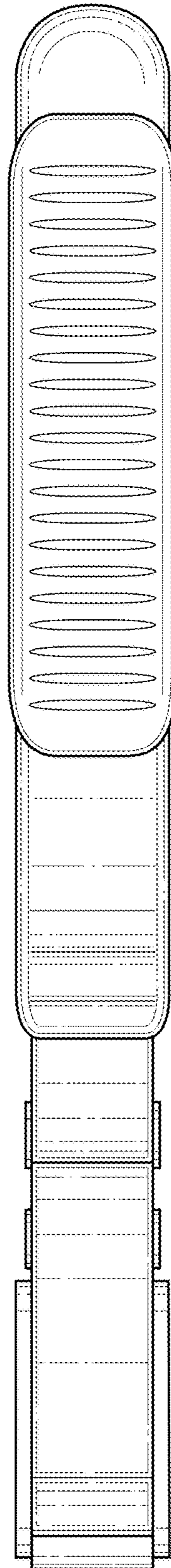


FIG. 5

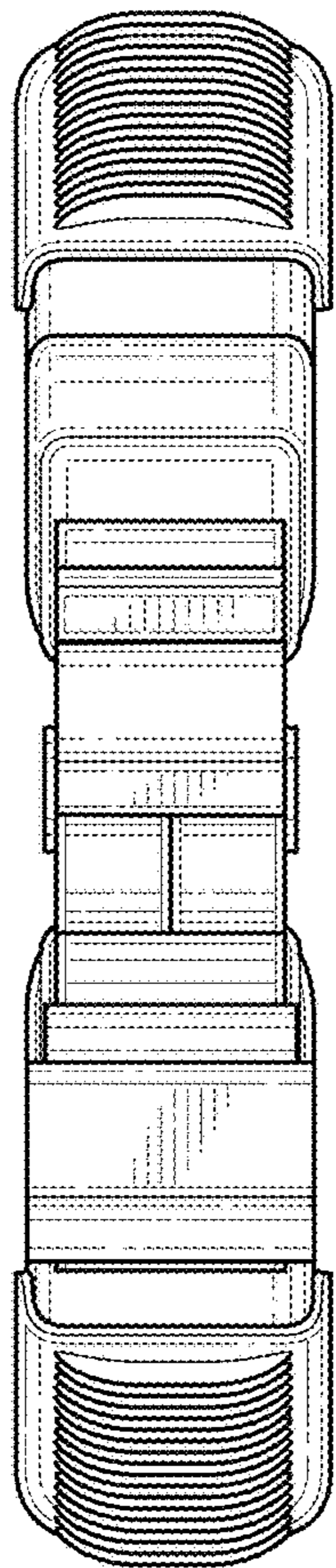


FIG. 6

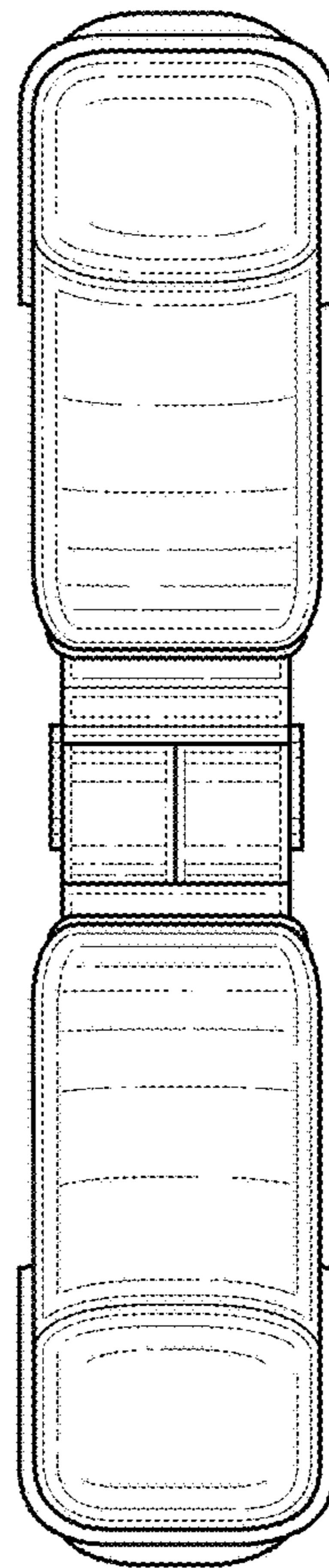


FIG. 7