



US00D833240S

(12) **United States Design Patent**
Goldstein

(10) **Patent No.:** **US D833,240 S**

(45) **Date of Patent:** **** Nov. 13, 2018**

(54) **COMBINED KNIFE AND BOTTLE OPENER**

(71) Applicant: **Avraham Goldstein**, Flushing, NY
(US)

(72) Inventor: **Avraham Goldstein**, Flushing, NY
(US)

(**) Term: **15 Years**

(21) Appl. No.: **29/610,916**

(22) Filed: **Jul. 17, 2017**

(51) **LOC (11) Cl.** **08-05**

(52) **U.S. Cl.**
USPC **D8/19**

(58) **Field of Classification Search**
USPC ... D8/16, 19, 17, 18, 21, 33, 34, 35, 40, 43,
D8/105; D2/743, 853; D11/212
CPC .. A45F 2200/0575; B25B 13/54; B25F 5/027;
F16G 13/16; F16L 33/02; F16L 33/22;
F16L 35/00

See application file for complete search history.

(56) **References Cited**

U.S. PATENT DOCUMENTS

- 2,810,194 A * 10/1957 Unsinger B26B 1/046
30/155
- 3,673,687 A * 7/1972 Phillips B26B 3/00
30/294
- D256,217 S * 8/1980 Korn D8/98
- D323,967 S * 2/1992 Talbot D8/98
- D352,440 S * 11/1994 Perigny D8/98
- D407,283 S * 3/1999 Schwab D8/33
- D576,003 S * 9/2008 Patrizio B67B 7/0429
D8/40
- D589,589 S * 3/2009 McCloudry D22/149
- D721,564 S * 1/2015 Purnomohadi D8/98
- D730,446 S * 5/2015 Busch D19/121
- D731,272 S * 6/2015 Salvat D8/34

- 9,114,968 B2 * 8/2015 Manger B67B 7/403
- D801,142 S * 10/2017 Cornu D8/40
- D801,148 S * 10/2017 Yu Chen D8/98

(Continued)

OTHER PUBLICATIONS

StatGear, Growler—Guthook/Bottle Opener, posted Oct. 25, 2017,
[retrieved Jun. 21, 2018]. Retrieved from Internet, <URL: <http://www.statgeartools.com/growler-guthook-bottle-opener/#reviews>>.*

(Continued)

Primary Examiner — Barbara Fox
Assistant Examiner — Kristin E Reed

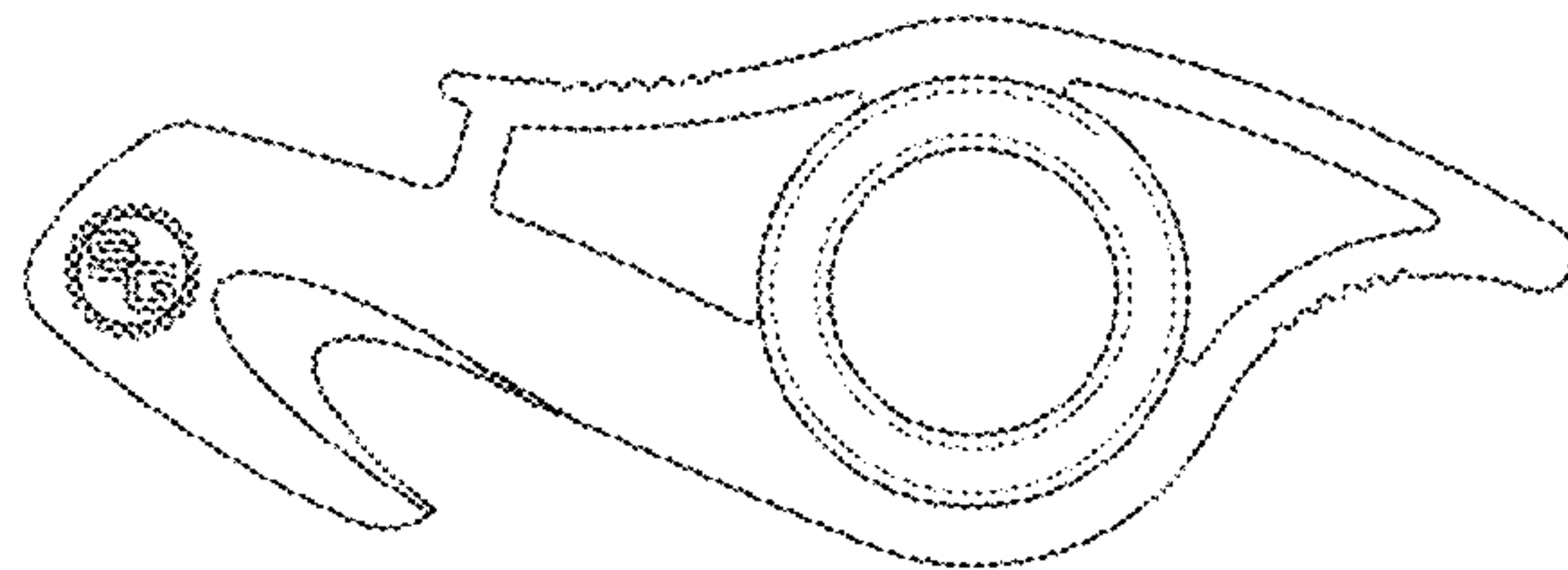
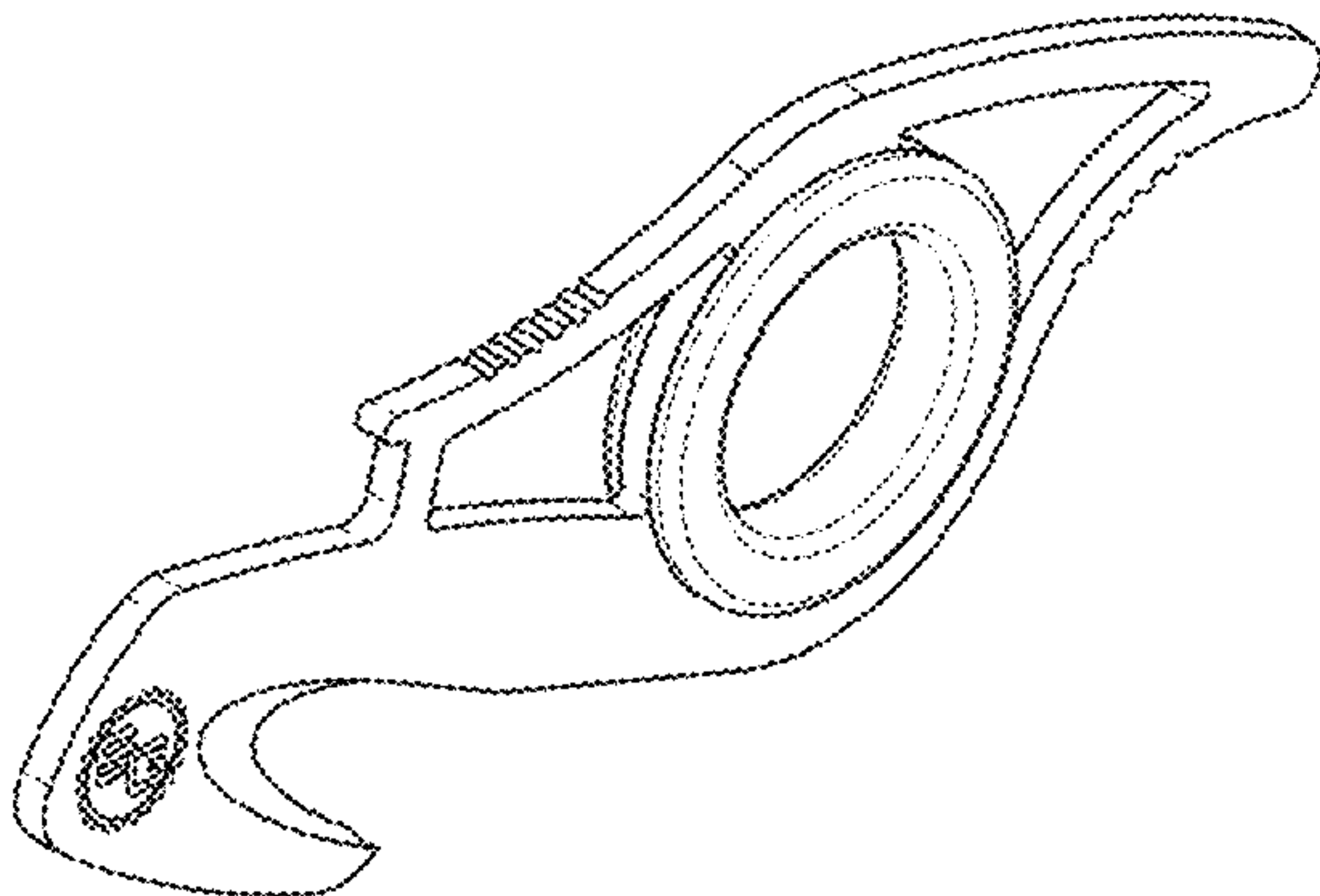
(57) **CLAIM**

I claim the ornamental design for and combined knife and bottle opener, as shown and described.

DESCRIPTION

FIG. 1 is a first perspective view of a combined knife and bottle opener showing the claimed design;
 FIG. 2 is a second perspective view of the combined knife and bottle opener of FIG. 1;
 FIG. 3 is a third perspective view of the combined knife and bottle opener of FIG. 1;
 FIG. 4 is a fourth perspective view of the combined knife and bottle opener of FIG. 1;
 FIG. 5 is a left side view of the combined knife and bottle opener of FIG. 1;
 FIG. 6 is a right side view of the combined knife and bottle opener of FIG. 1;
 FIG. 7 is a top side view of the combined knife and bottle opener of FIG. 1;
 FIG. 8 is a bottom side view of the combined knife and bottle opener of FIG. 1;
 FIG. 9 is a front side view of the combined knife and bottle opener of FIG. 1; and,
 FIG. 10 is a back side view of the combined knife and bottle opener of FIG. 1.

1 Claim, 10 Drawing Sheets



(56)

References Cited

U.S. PATENT DOCUMENTS

D807,725 S * 1/2018 Chalfant D8/105
2015/0197022 A1 * 7/2015 Pelton B26B 29/025
30/153

OTHER PUBLICATIONS

Buck 499SSG1 PackLite Guthook, 420HC, Stainless, posted Oct. 10, 2012, [retrieved Jun. 21, 2018]. Retrieved from Internet, <URL: <https://www.knifeworks.com/buck-paklite-guthook-stainless-steel.html> >.*

Shot Show 2017: Day 2 Live Coverage, posted Jan. 18, 2017, [retrieved Jun. 21, 2018]. Retrieved from Internet, <URL: <https://www.itstactical.com/centcom/its-information/shot-show-2017-day-2-live-coverage/> >.*

* cited by examiner

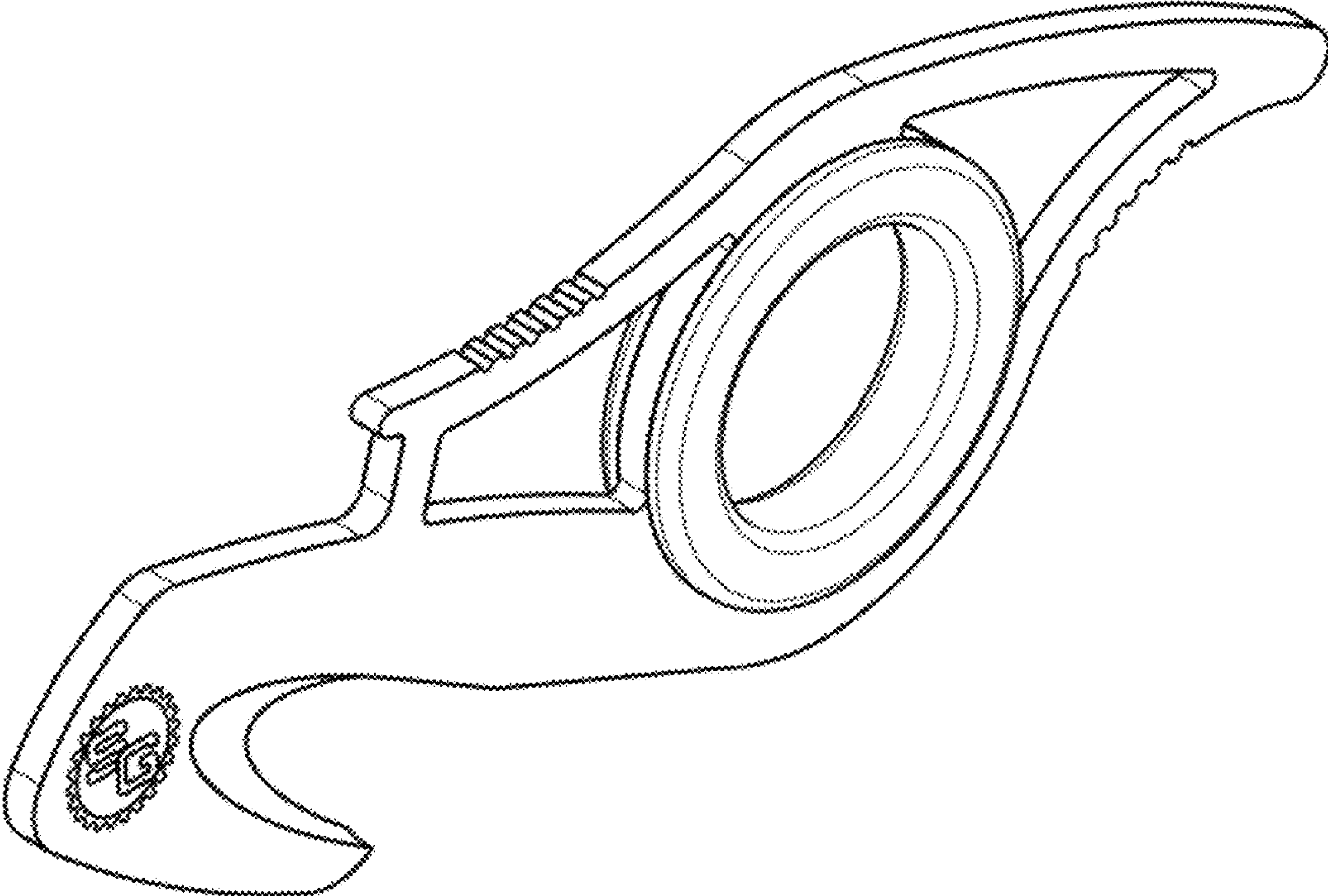


FIGURE 1

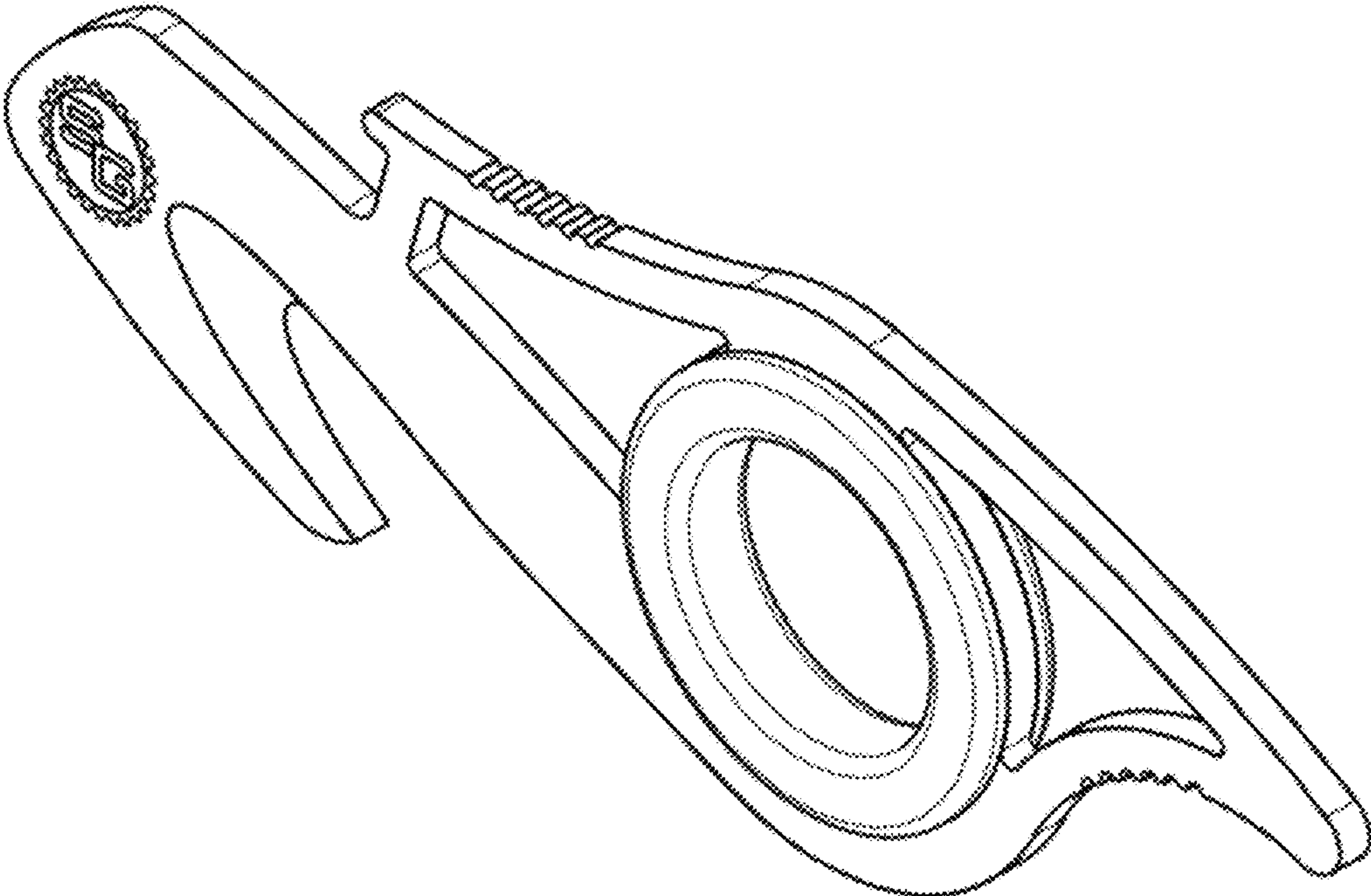


FIGURE 2

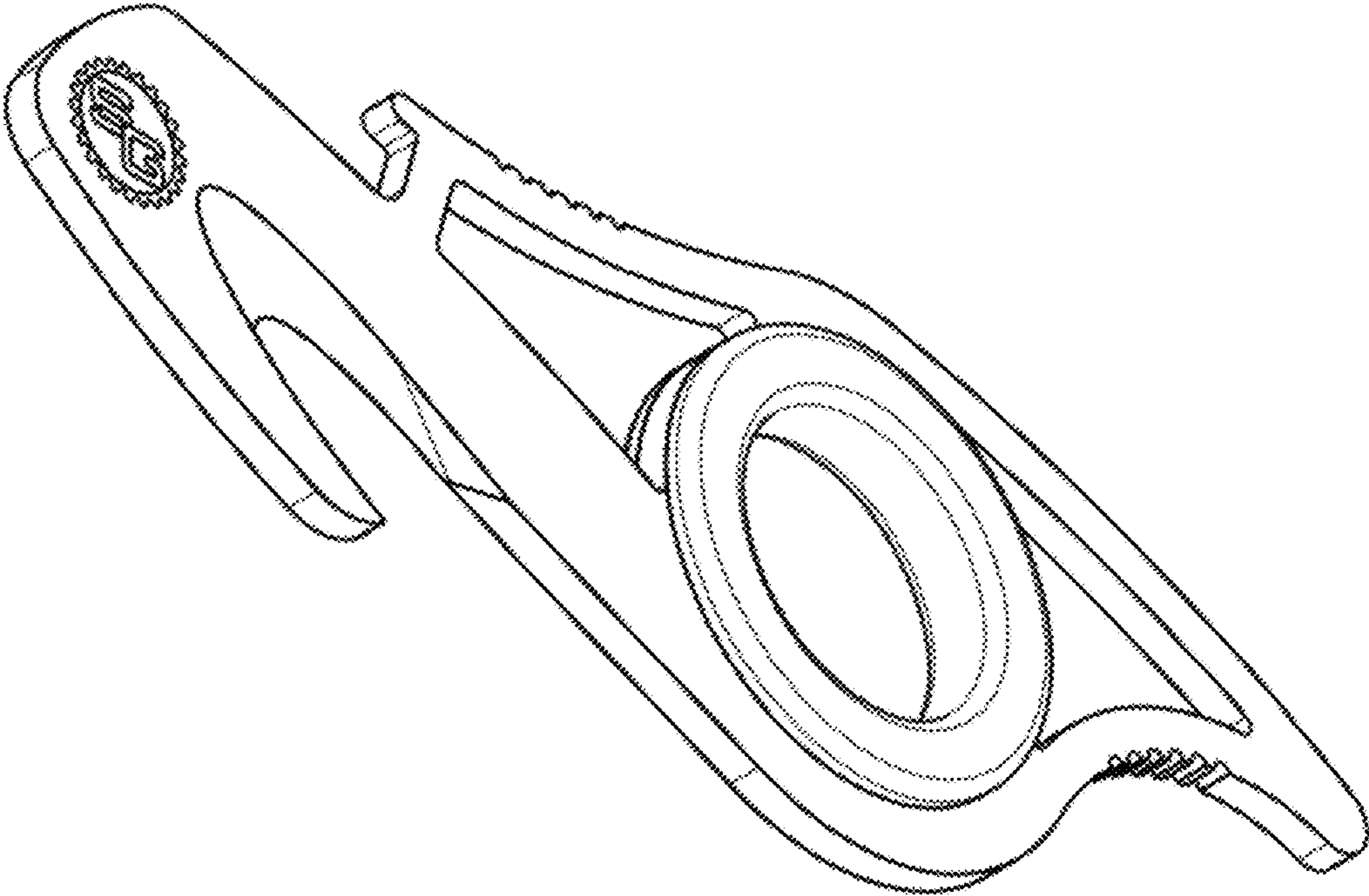


FIGURE 3

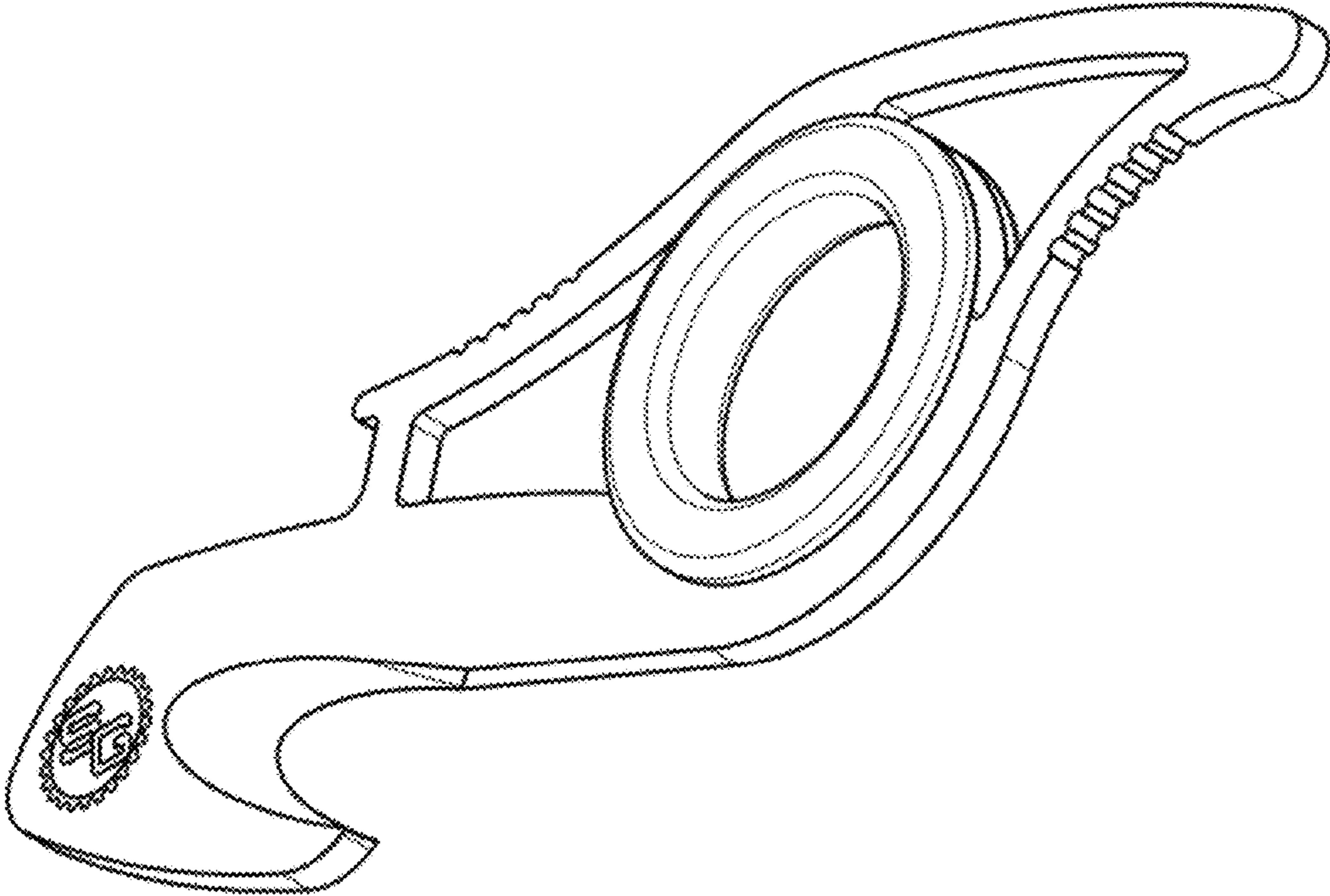


FIGURE 4

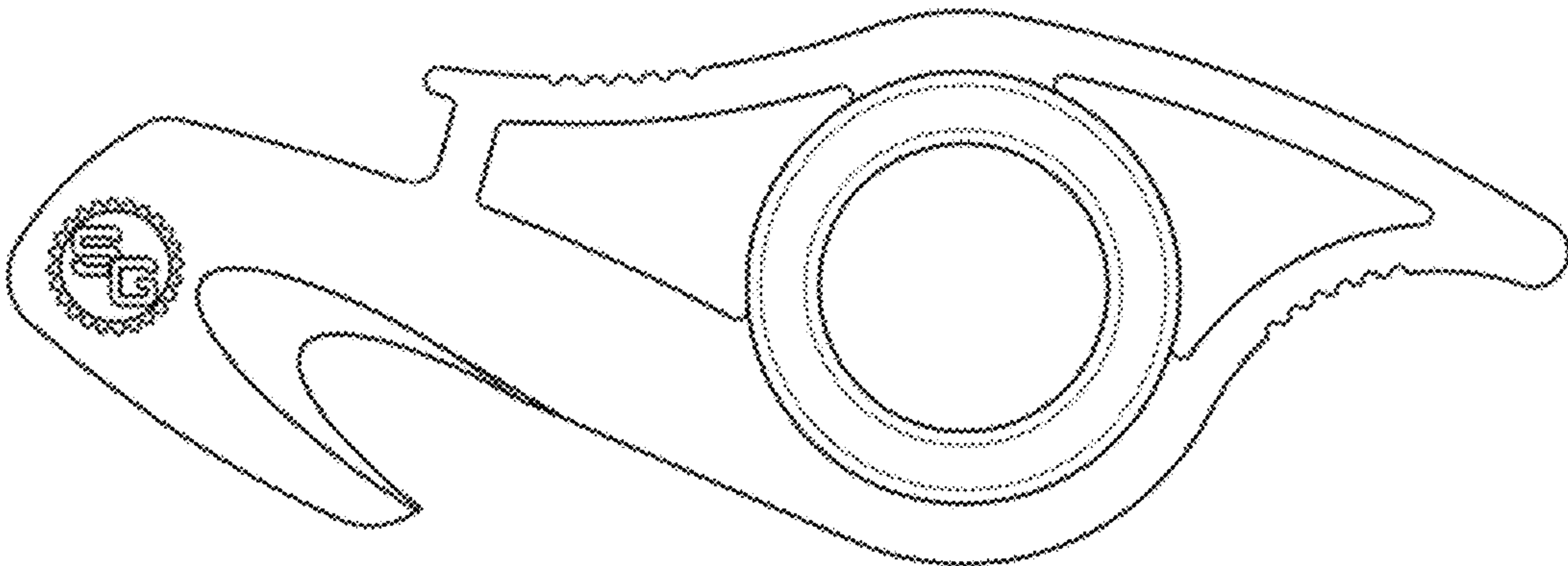


FIGURE 5

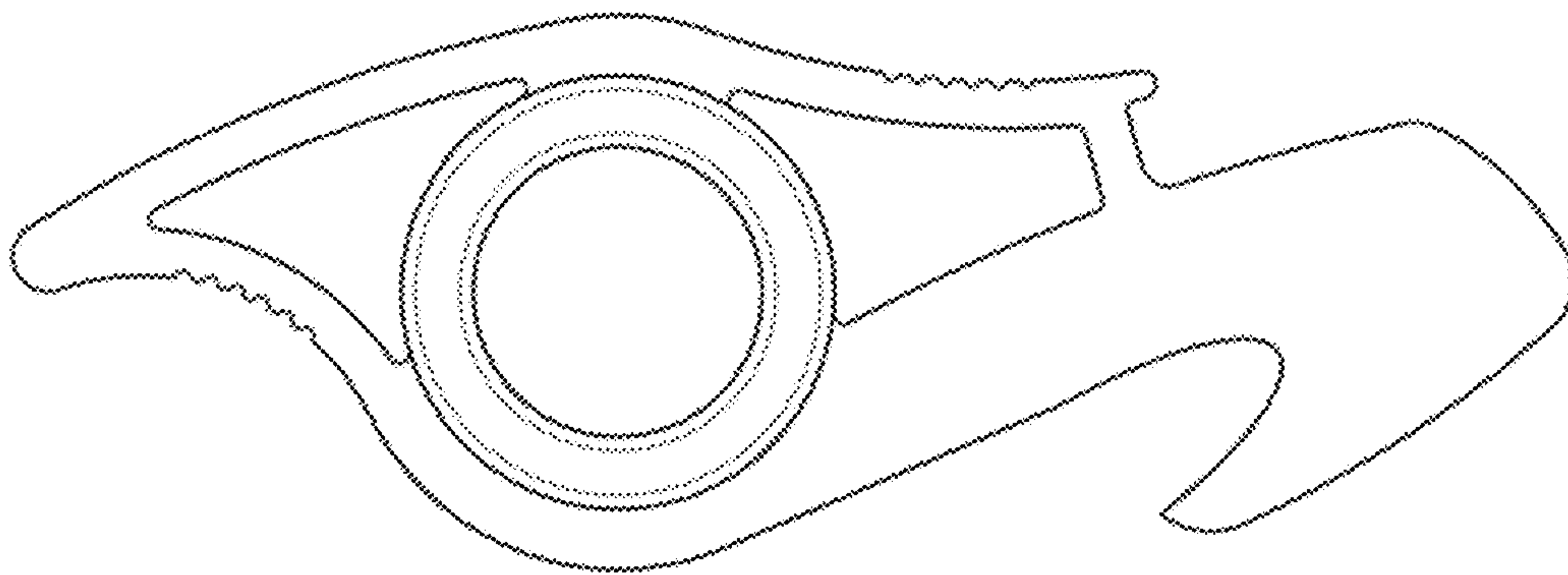


FIGURE 6

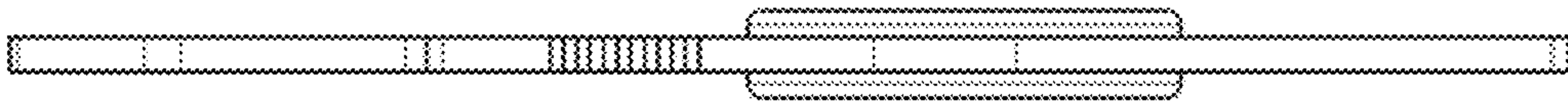


FIGURE 7

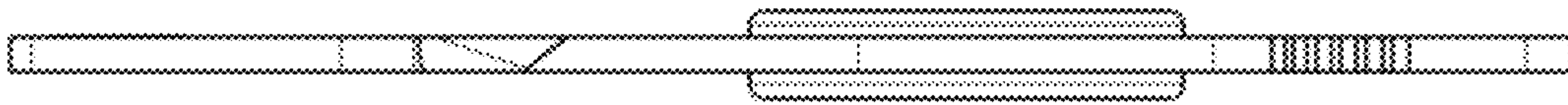


FIGURE 8

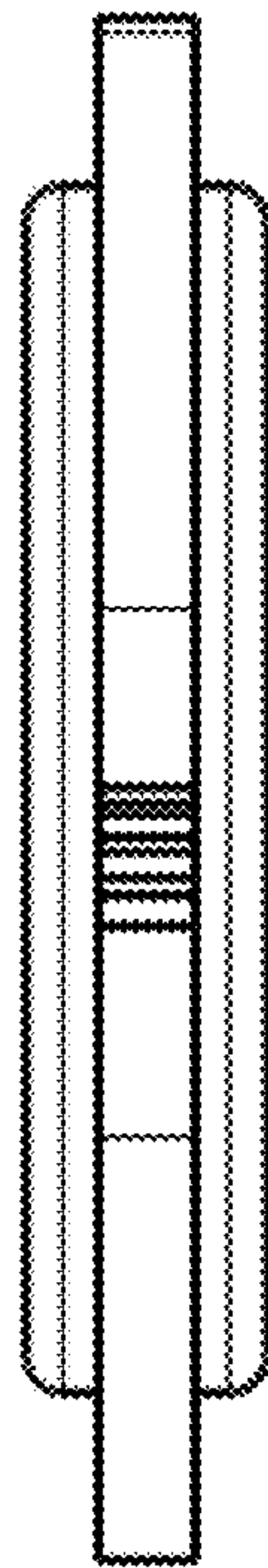


FIGURE 9

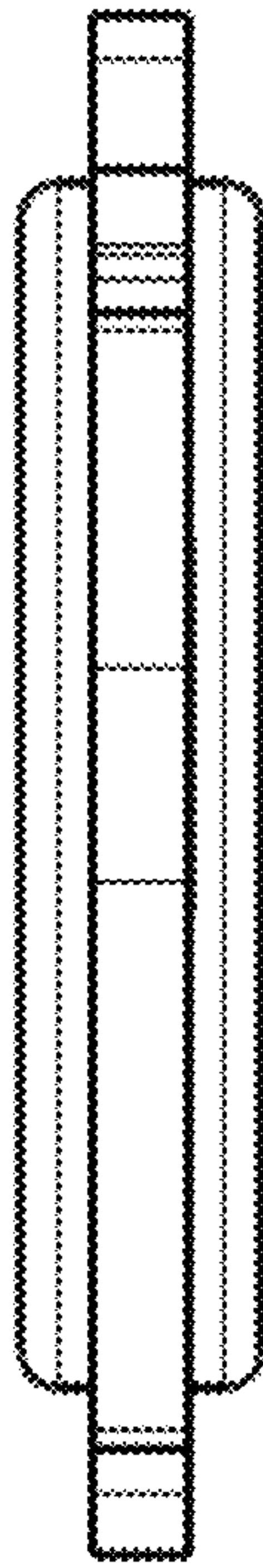


FIGURE 10