



US00D833239S

(12) **United States Design Patent**
Ferguson

(10) **Patent No.:** **US D833,239 S**

(45) **Date of Patent:** **** Nov. 13, 2018**

(54) **WEED EATER HEAD**

(71) Applicant: **Marcus Ferguson**, Hixson, TN (US)

(72) Inventor: **Marcus Ferguson**, Hixson, TN (US)

(**) Term: **15 Years**

(21) Appl. No.: **29/620,589**

(22) Filed: **Mar. 6, 2017**

Related U.S. Application Data

(62) Division of application No. 14/545,211, filed on Apr. 8, 2015.

(51) **LOC (11) Cl.** **08-01**

(52) **U.S. Cl.**
USPC **D8/8**

(58) **Field of Classification Search**
USPC D8/1, 8; D11/139
CPC A01D 34/416; A01D 34/4161; A01D
34/4165; A01D 34/4162; A01D 34/733
See application file for complete search history.

(56) **References Cited**

U.S. PATENT DOCUMENTS

- 6,112,416 A * 9/2000 Bridges A01D 34/736
30/276
- D496,840 S * 10/2004 Iacona D8/8
- D681,705 S * 5/2013 Skinner D15/139
- 9,363,946 B2 * 6/2016 Pellenc A01D 34/416
- 9,986,682 B2 * 6/2018 Skinner A01D 34/4166

OTHER PUBLICATIONS

Yard Gear, Shakespeare Ugly Head, 2018, YardGear.com, <http://www.yardgear.com/node/8.html> (Year: 2018).*

* cited by examiner

Primary Examiner — Sheryl Lane

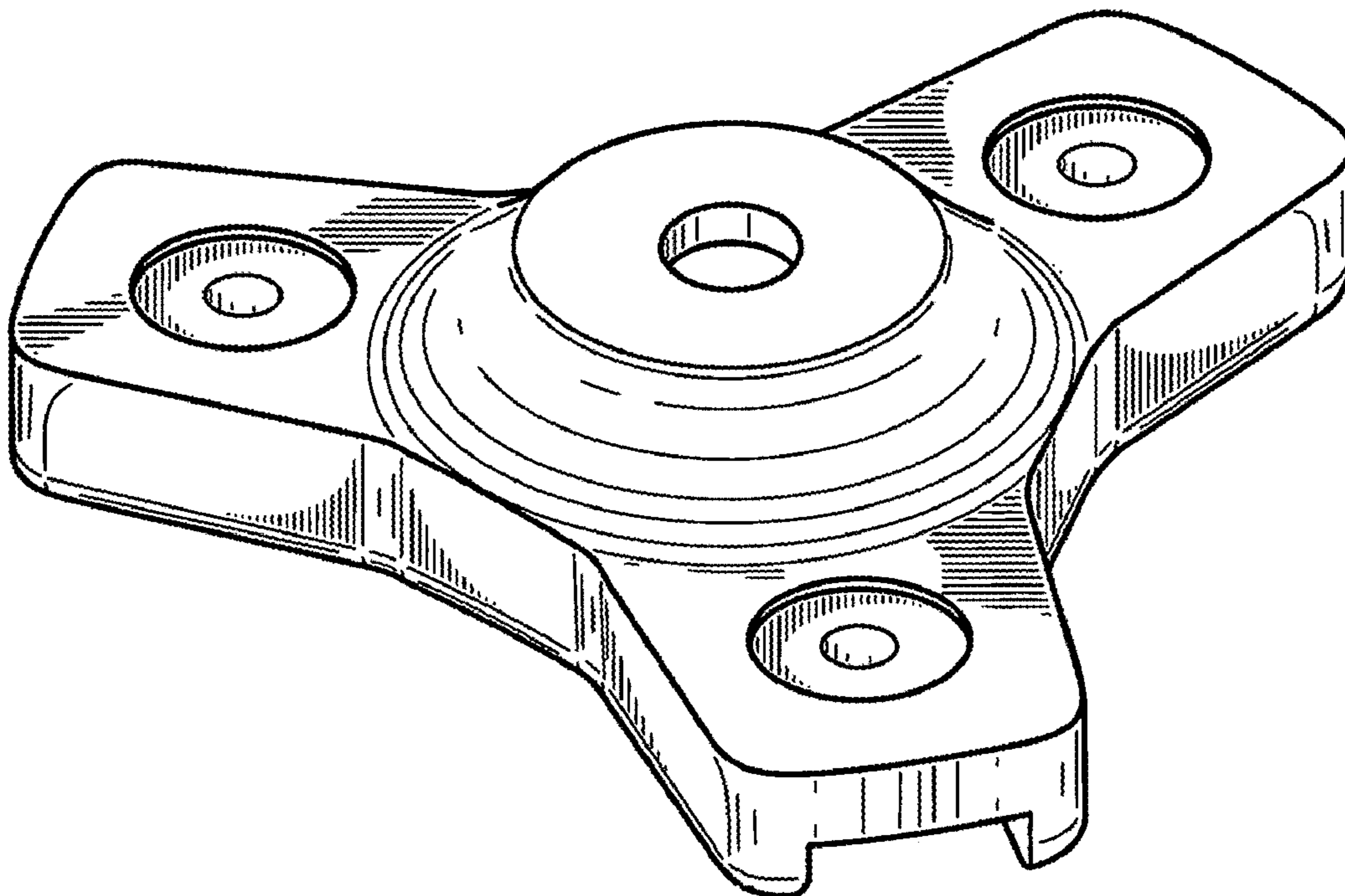
(57) **CLAIM**

The ornamental design for a weed eater head, as shown and described.

DESCRIPTION

FIG. 1 is a top perspective view of a weed eater head of the present invention;
 FIG. 2 is a bottom perspective view of the weed eater head shown in FIG. 1;
 FIG. 3 is a left side view of the weed eater head shown in FIG. 1;
 FIG. 4 is a right-side view of the weed eater head shown in FIG. 1;
 FIG. 5 is a front view of the weed eater head shown in FIG. 1;
 FIG. 6 is a rear view of the weed eater head shown in FIG. 1;
 FIG. 7 is a top view of the weed eater head shown in FIG. 1; and,
 FIG. 8 is a bottom view of the weed eater head shown in FIG. 1.

1 Claim, 4 Drawing Sheets



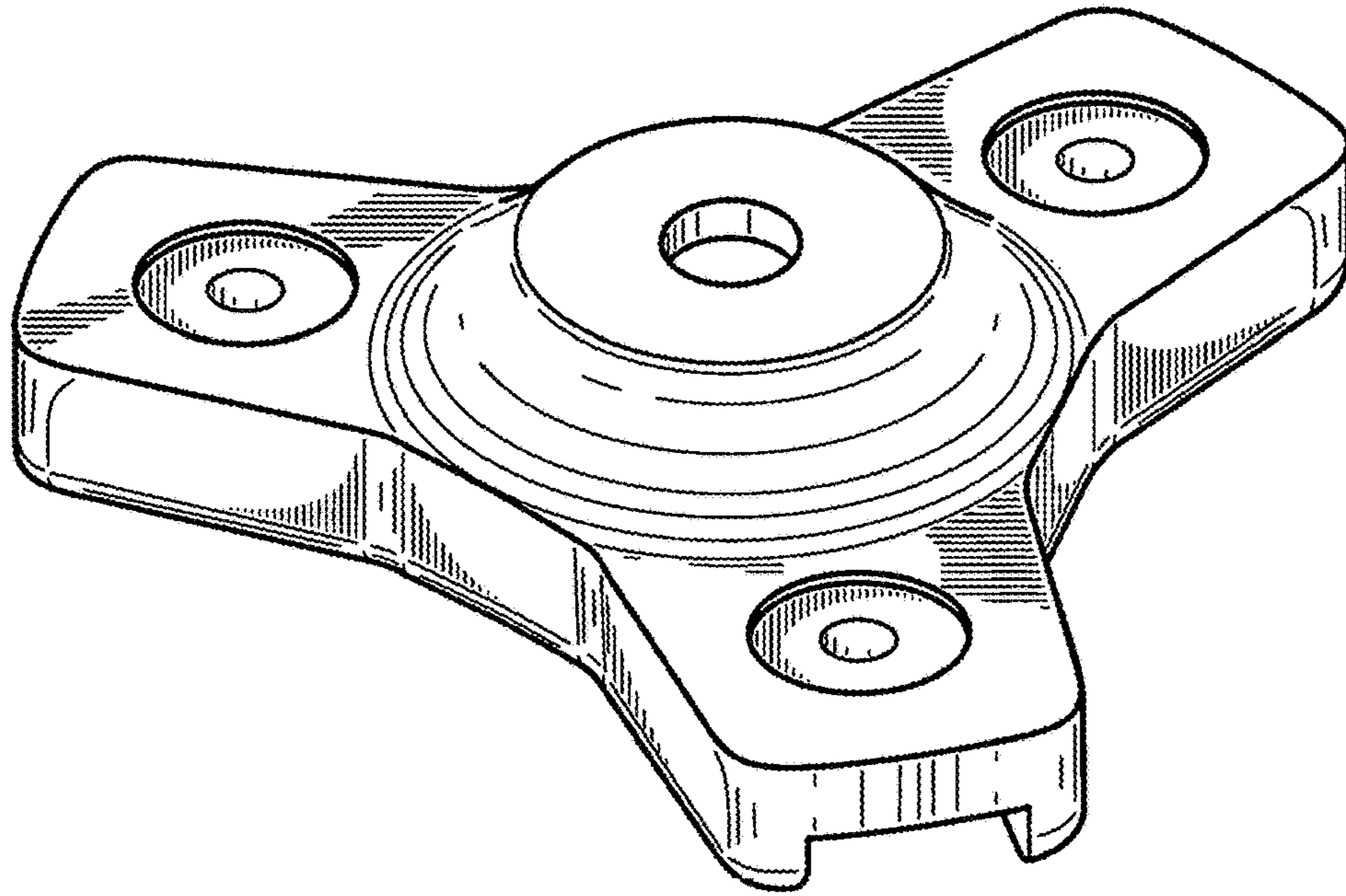


FIG. 1

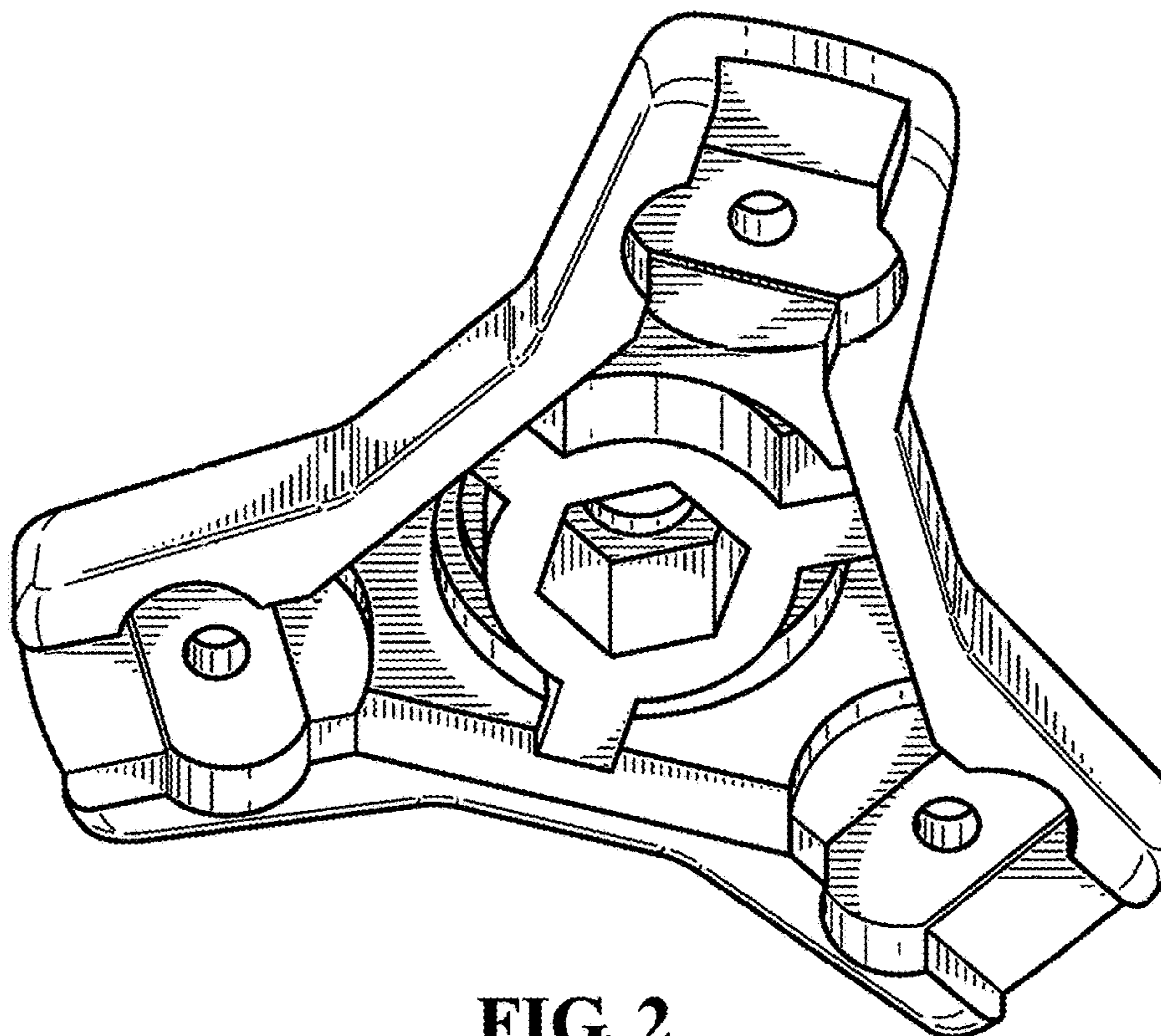


FIG. 2

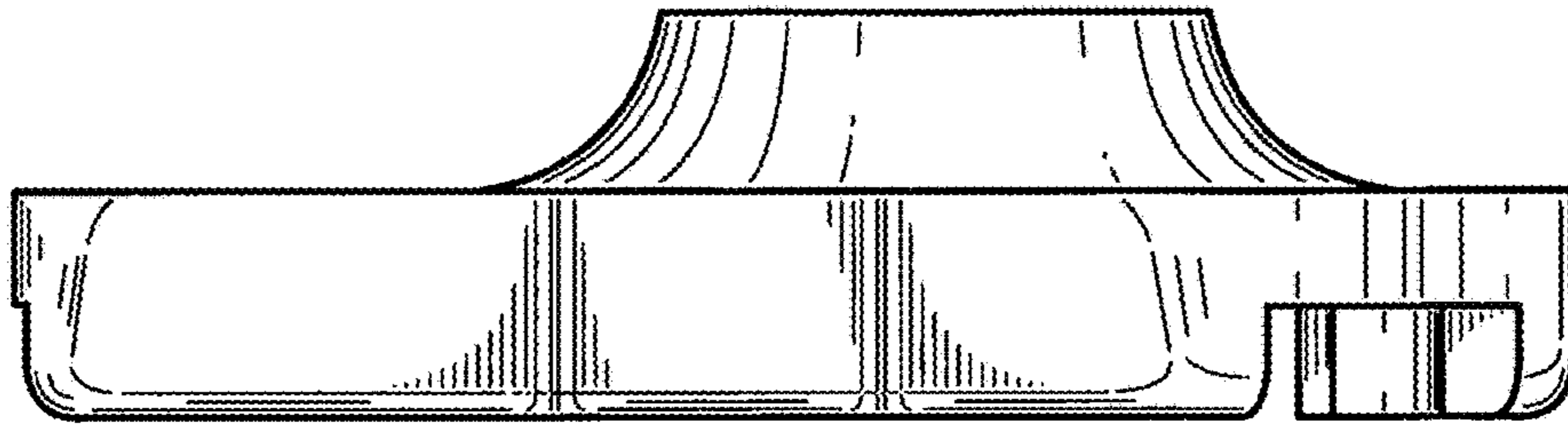


FIG. 3

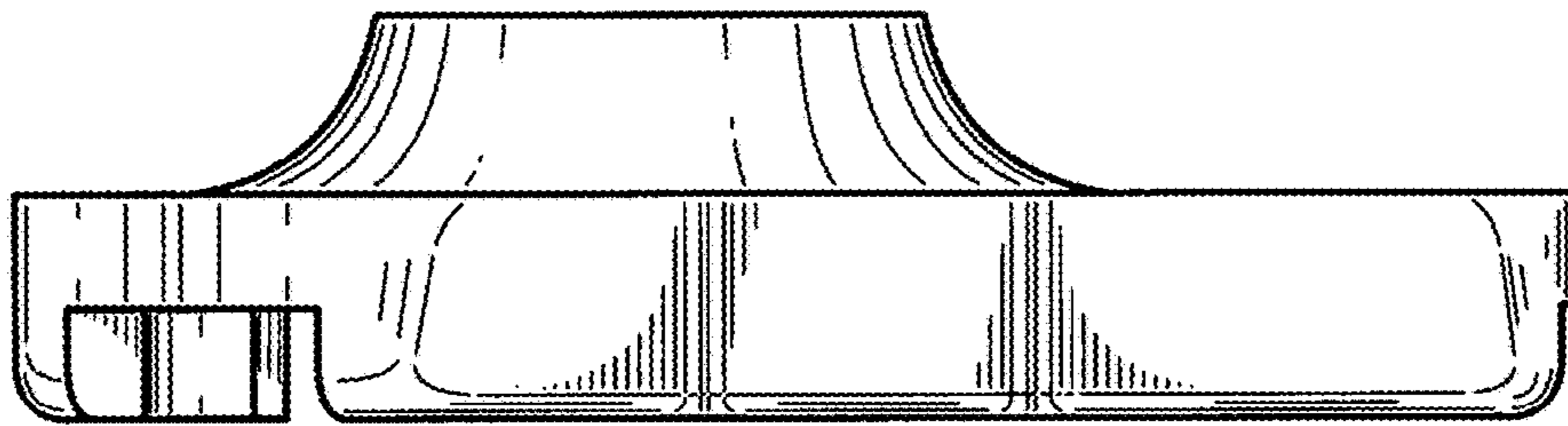


FIG. 4

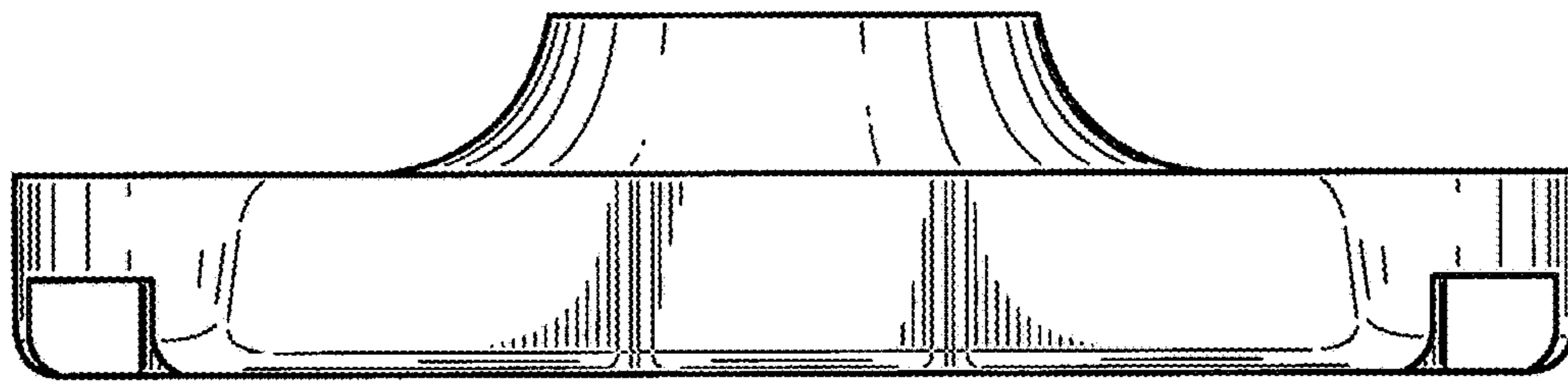


FIG. 5

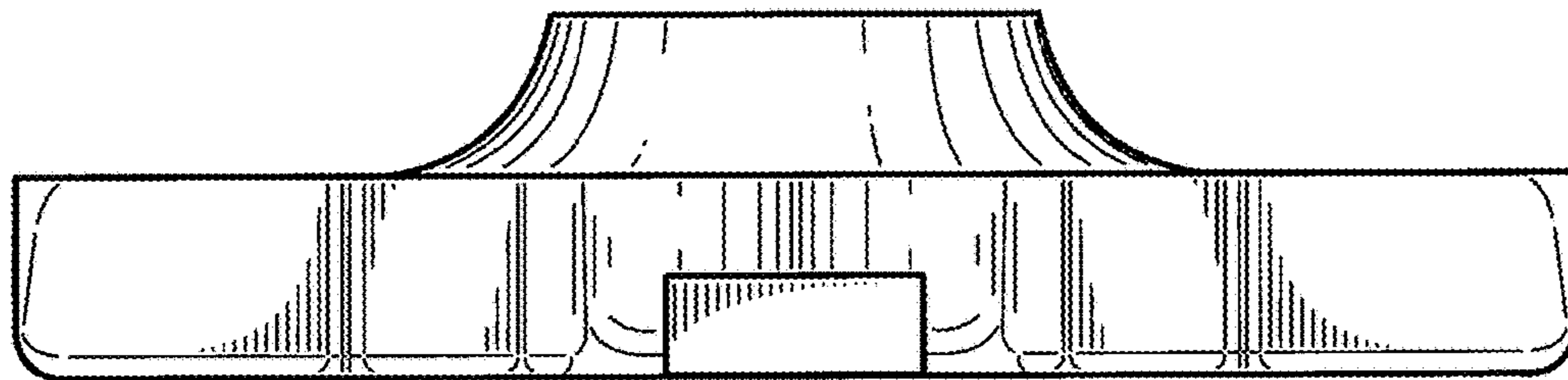


FIG. 6

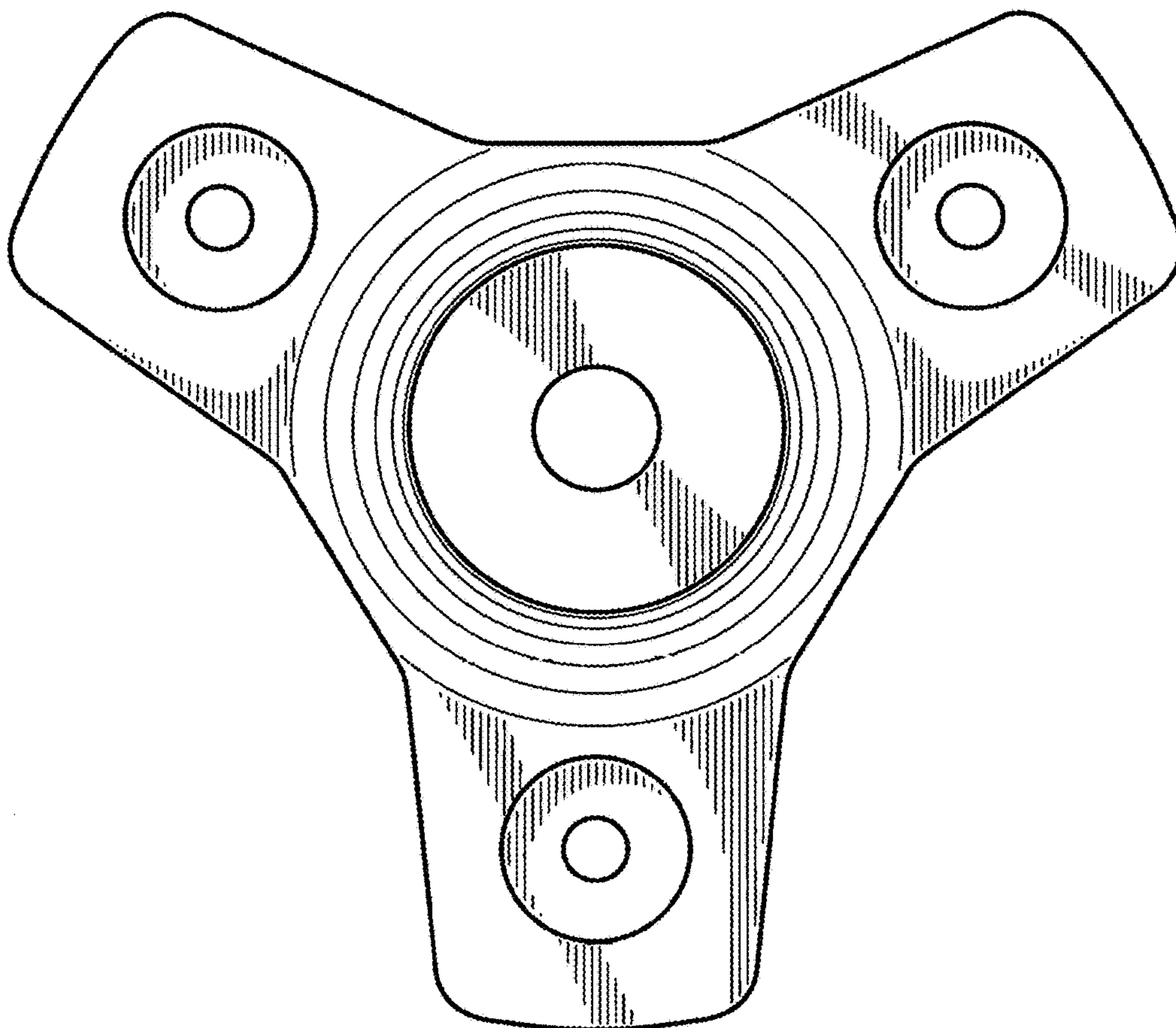


FIG. 7

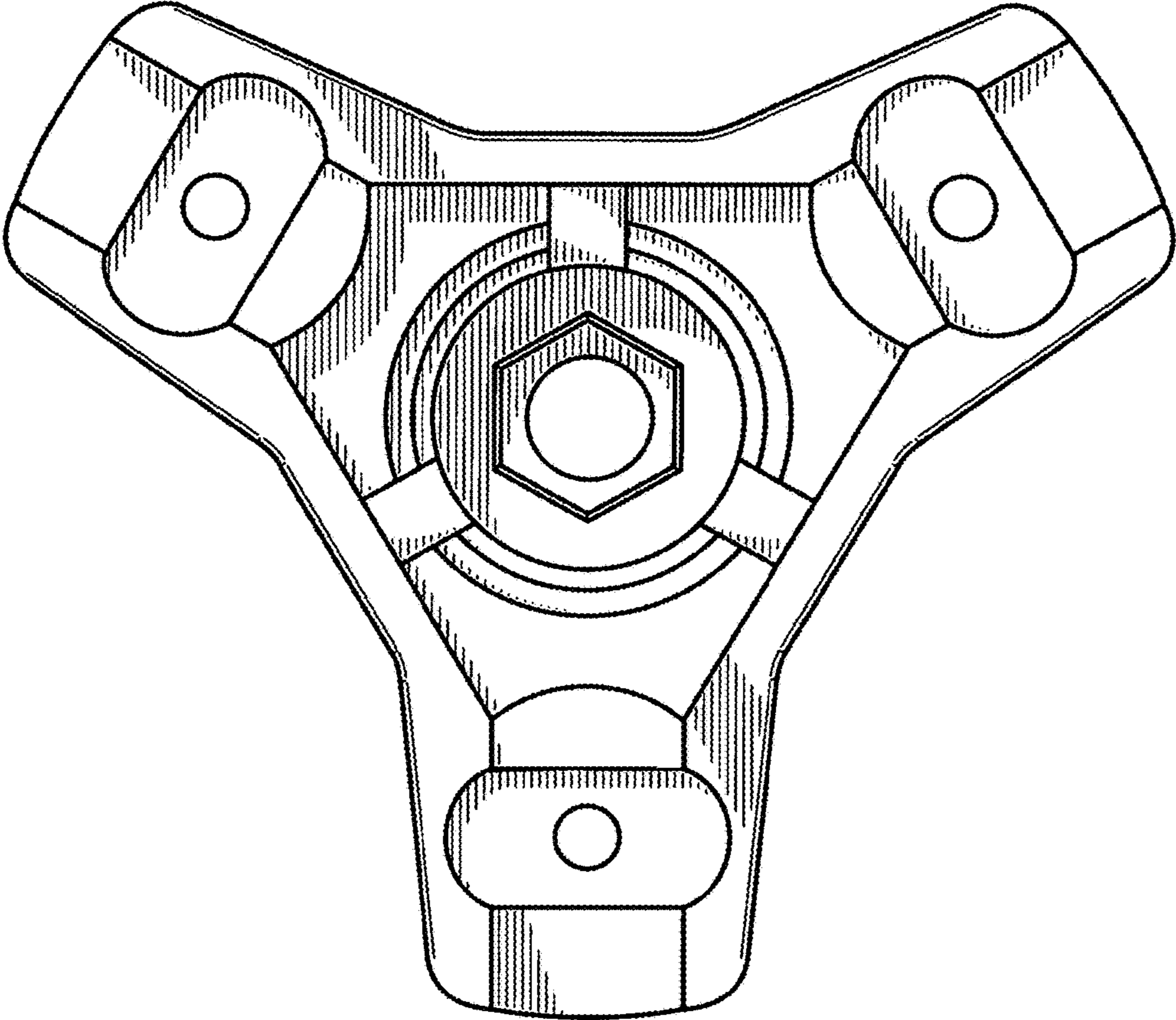


FIG. 8