



US00D833238S

(12) **United States Design Patent**
Ciudaj

(10) **Patent No.:** **US D833,238 S**

(45) **Date of Patent:** **** *Nov. 13, 2018**

(54) **IRRIGATION DEVICE**

(71) Applicant: **DEEP ROOT IRRIGATION, LLC**,
Angwin, CA (US)

(72) Inventor: **Jeffrey Ciudaj**, Angwin, CA (US)

(73) Assignee: **DEEP ROOT IRRIGATION, LLC**,
Angwin, CA (US)

(*) Notice: This patent is subject to a terminal disclaimer.

(**) Term: **15 Years**

(21) Appl. No.: **29/568,411**

(22) Filed: **Jun. 17, 2016**

Related U.S. Application Data

(63) Continuation-in-part of application No. 15/048,686, filed on Feb. 19, 2016, now Pat. No. 9,609,812, which is a continuation-in-part of application No. 14/318,480, filed on Jun. 27, 2014, now abandoned.

(51) **LOC (11) Cl.** **08-01**

(52) **U.S. Cl.**
USPC **D8/1**

(58) **Field of Classification Search**
USPC D8/1, 2; D23/213, 214, 217, 218
CPC A01G 29/122; A01G 29/00; A01G 29/06
See application file for complete search history.

(56) **References Cited**

U.S. PATENT DOCUMENTS

- 4,745,706 A * 5/1988 Muza A01G 9/122
47/47
- 5,605,010 A * 2/1997 Furlong A01G 29/00
47/47
- 5,901,497 A * 5/1999 Bulvin A01G 9/122
47/47
- D479,302 S * 9/2003 Chen D23/213
- D541,606 S * 5/2007 Griffin D8/1

- D567,899 S * 4/2008 Rigolio D23/213
- 7,862,254 B2 * 1/2011 Jin Hyun A01G 27/005
405/39
- D674,255 S * 1/2013 Evans D8/1
- D714,907 S * 10/2014 Spraw D23/213

(Continued)

Primary Examiner — Sheryl Lane

(74) *Attorney, Agent, or Firm* — Kevin Schraven; Anooj Patel; Hankin Patent Law, APC

(57) **CLAIM**

The ornamental design for an irrigation device, as shown and described.

DESCRIPTION

FIG. 1 is a top perspective view of an irrigation device showing my new design, portions of the irrigation device being broken away to indicate indeterminate length.

FIG. 2 is a bottom perspective view thereof, portions of the irrigation device being broken away to indicate indeterminate length.

FIG. 3 is a front elevational view thereof, portions of the irrigation device being broken away to indicate indeterminate length.

FIG. 4 is a rear elevational view thereof, portions of the irrigation device being broken away to indicate indeterminate length.

FIG. 5 is a left side elevational view thereof, portions of the irrigation device being broken away to indicate indeterminate length.

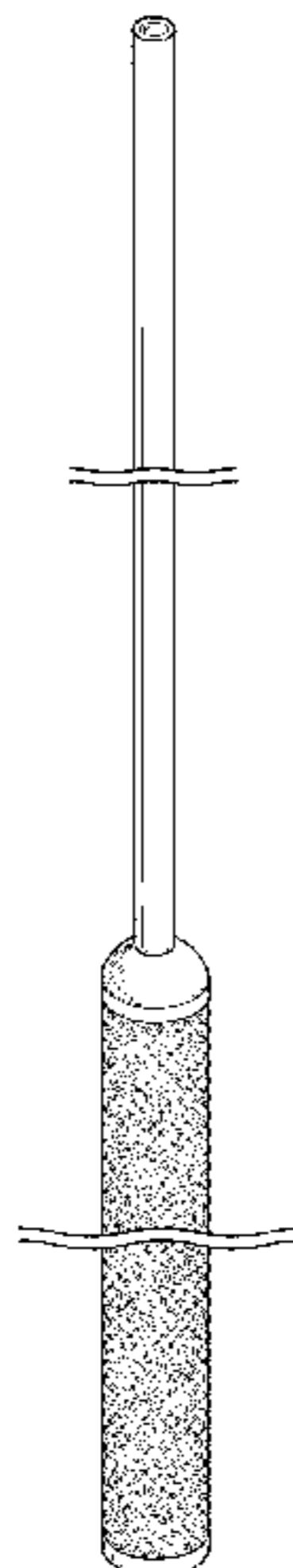
FIG. 6 is a right side elevational view thereof, portions of the irrigation device being broken away to indicate indeterminate length.

FIG. 7 is a top plan view thereof; and,

FIG. 8 is a bottom plan view thereof.

The irrigation device is shown with two symbolic breaks. Any portion between these break lines forms no part of the claimed design. The broken lines of the interior of the irrigation device forms no part of the claimed design.

1 Claim, 8 Drawing Sheets



(56)

References Cited

U.S. PATENT DOCUMENTS

D715,897 S * 10/2014 Spraw D23/213
D757,896 S * 5/2016 Aquilina D23/214
9,609,812 B2 * 4/2017 Ciudaj A01G 29/00
2006/0053704 A1 * 3/2006 Zayeratabat E02D 27/42
52/165
2011/0219684 A1 * 9/2011 Ciudaj A01G 29/00
47/48.5
2012/0260568 A1 * 10/2012 King A01G 29/00
47/48.5
2015/0373934 A1 * 12/2015 Ciudaj A01G 29/00
405/43
2016/0165819 A1 * 6/2016 Ciudaj A01G 29/00
47/48.5
2016/0227718 A1 * 8/2016 Matthews A01G 29/00
2016/0286745 A1 * 10/2016 Riffe A01G 29/00

* cited by examiner

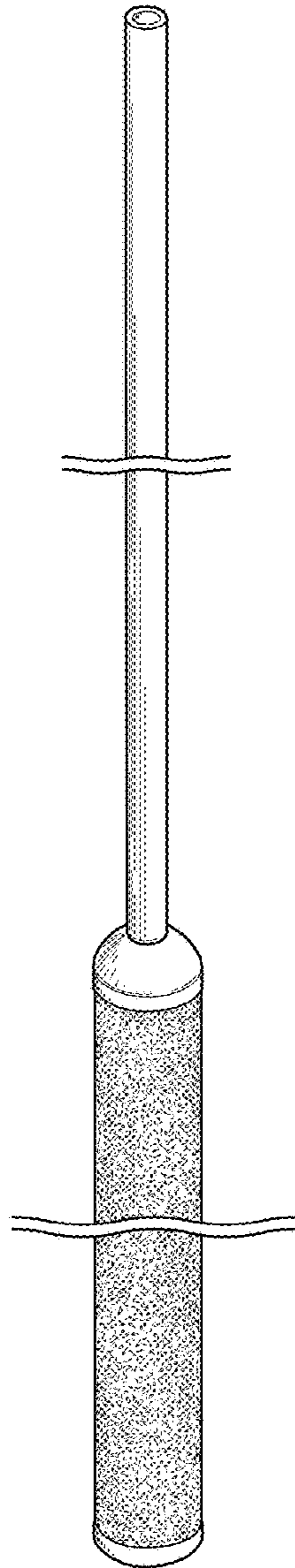


Fig. 1

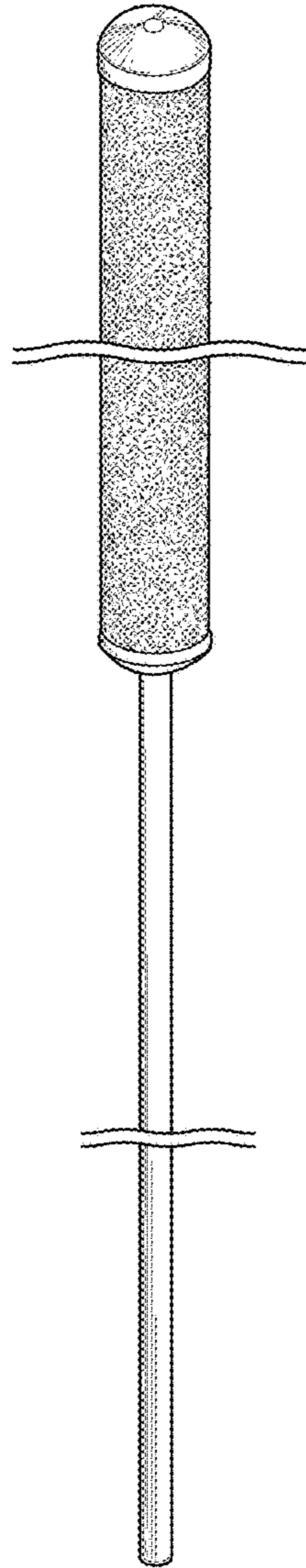


Fig.2

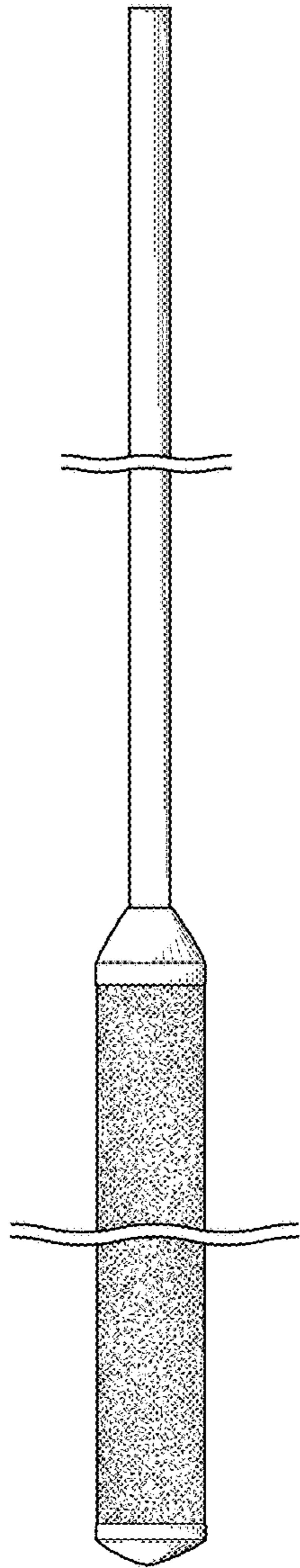


Fig.3

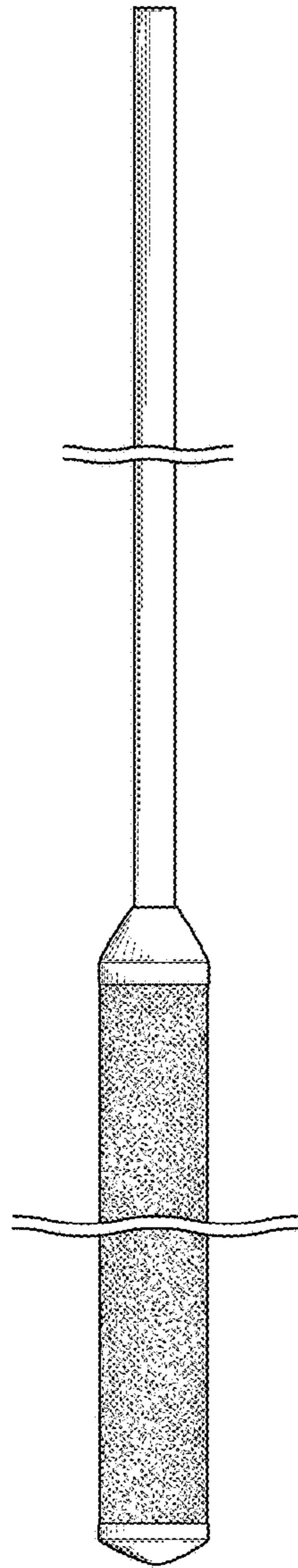


Fig.4

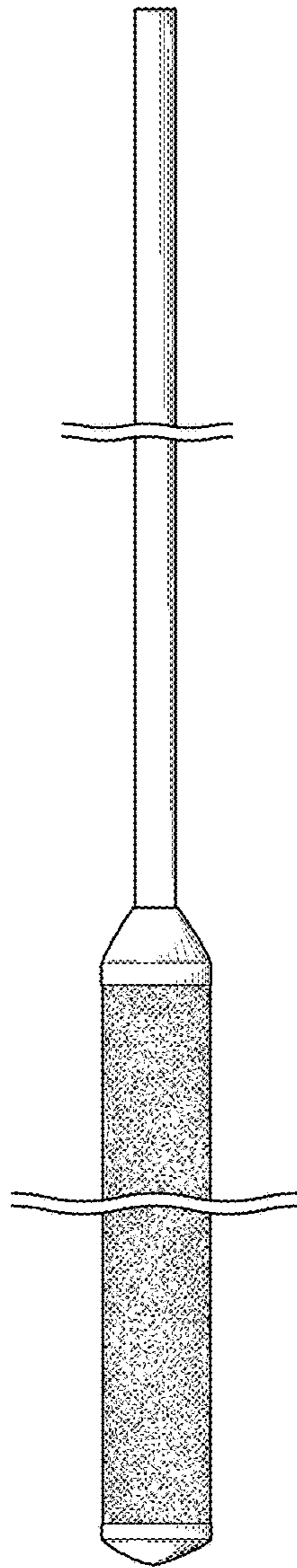


Fig. 5

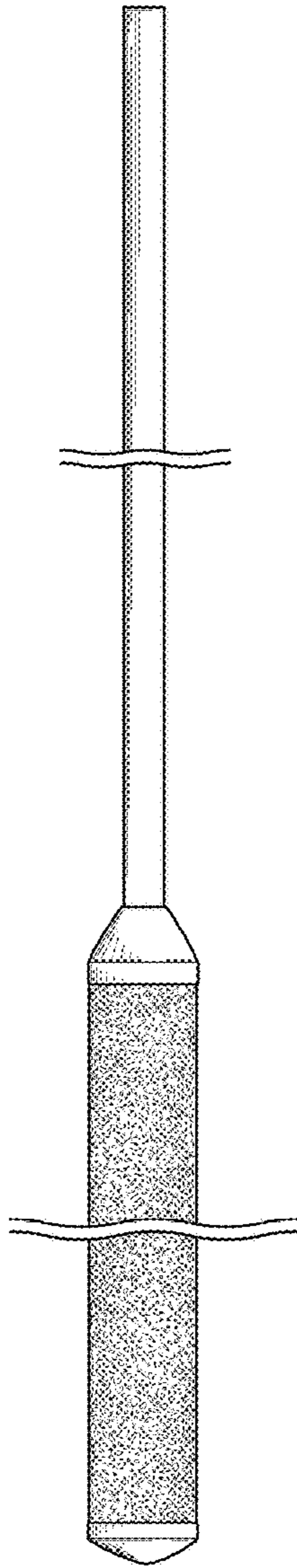


Fig.6

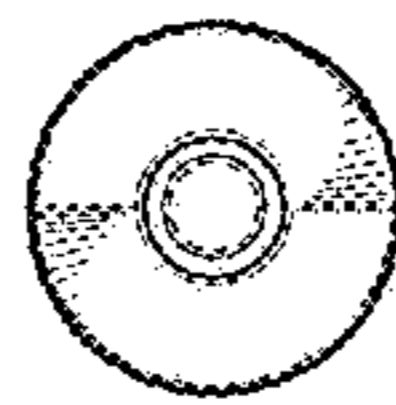


Fig.7

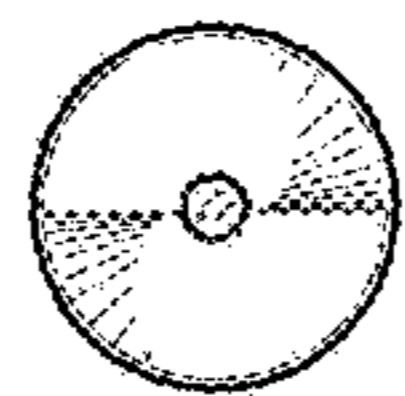


Fig.8