



US00D833237S

(12) **United States Design Patent** (10) **Patent No.:** **US D833,237 S**
Parr (45) **Date of Patent:** **** Nov. 13, 2018**

- (54) **COMBINED SHEAR BLADE, RAKE, AND HOOK**
- (71) Applicant: **Michael K. Parr**, Lake Stevens, WA (US)
- (72) Inventor: **Michael K. Parr**, Lake Stevens, WA (US)
- (**) Term: **15 Years**
- (21) Appl. No.: **29/527,708**
- (22) Filed: **May 21, 2015**
- (51) **LOC (11) Cl.** **08-01**
- (52) **U.S. Cl.**
USPC **D8/1; D8/13**
- (58) **Field of Classification Search**
USPC D8/1, 13, 6
CPC A01D 9/00; A01D 9/02; Y10T 403/4974; E04D 15/003
See application file for complete search history.

(56) **References Cited**

U.S. PATENT DOCUMENTS

998,407	A *	7/1911	Schwandt	A01D 9/00
					7/115
1,216,926	A *	2/1917	Bell	A01D 9/00
					279/90
1,417,901	A *	5/1922	Hembree	A01D 9/00
					279/90
1,772,181	A *	8/1930	Hightower	A01D 9/02
					403/246
1,974,027	A *	9/1934	Knick	A01D 9/02
					15/145
2,688,511	A *	9/1954	Pelletier	A01D 9/02
					294/59
D331,353	S *	12/1992	Valentine	D8/13
D398,203	S *	9/1998	Naccarato	D8/13
D411,788	S *	7/1999	Watson	D8/13
D429,977	S *	8/2000	Claxton	D8/13

D430,464	S *	9/2000	Claxton	D8/13
D507,944	S *	8/2005	Crews	D8/13
D562,650	S *	2/2008	Thornton	D8/13
D565,367	S *	4/2008	Buscher	D8/13
D568,698	S *	5/2008	Buscher	D8/13
D682,642	S *	5/2013	Baker	D8/13
D721,552	S *	1/2015	VanderWoude	D8/13
D725,446	S *	3/2015	Zupan	D8/13
D725,447	S *	3/2015	Gonzalez	D8/13
9,149,925	B1 *	10/2015	Van Valin	B25G 1/102

(Continued)

Primary Examiner — Sheryl Lane

(74) *Attorney, Agent, or Firm* — AEON Law, PLLC; Adam L. K. Philipp; David V. H. Cohen

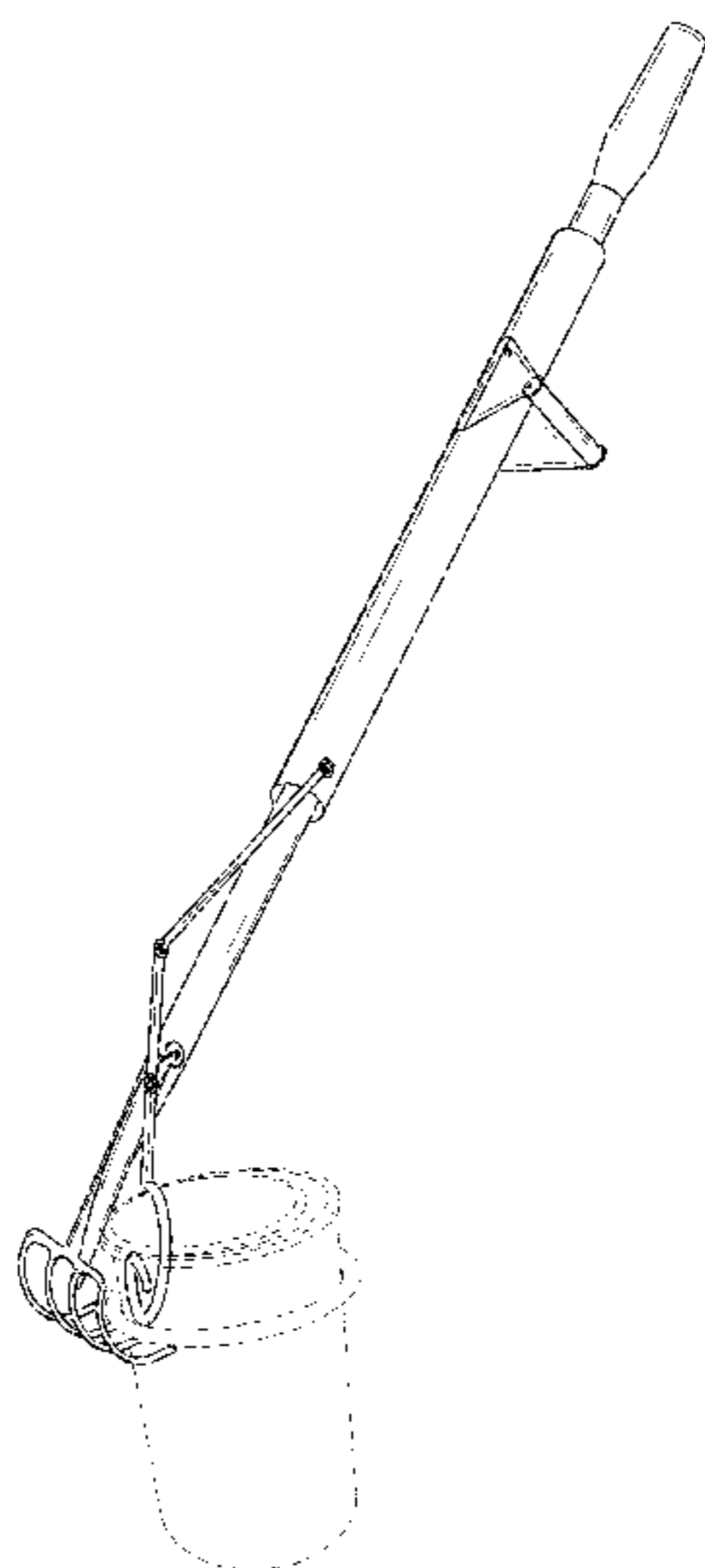
(57) **CLAIM**

I claim, the ornamental design for a combined shear blade, rake, and hook, as shown and described.

DESCRIPTION

FIG. 1 is a perspective view of a garden tool in a closed position showing my new design and illustrative buckets; FIG. 2 is a front right side perspective view of a garden tool in an open position; FIG. 3 is a rear left side perspective view of the garden tool in an open position; FIG. 4 is a bottom plan view taken from the lowermost side of FIG. 7; FIG. 5 is a side elevation view taken from the left side of FIG. 7; FIG. 6 is a side elevation view taken from the right side of FIG. 7; FIG. 7 is a front elevation view; FIG. 8 is a back plan view of FIG. 7; and FIG. 9 is a top plan view taken from the uppermost side of FIG. 7; and, FIG. 10 is an enlarged partial perspective view thereof. The buckets shown in broken lines show environment and form no part of the claimed design.

1 Claim, 5 Drawing Sheets



(56)

References Cited

U.S. PATENT DOCUMENTS

2014/0292009 A1* 10/2014 Hudson A01D 9/00
294/55.5
2016/0366816 A1* 12/2016 Pilgrim A01D 11/04

* cited by examiner

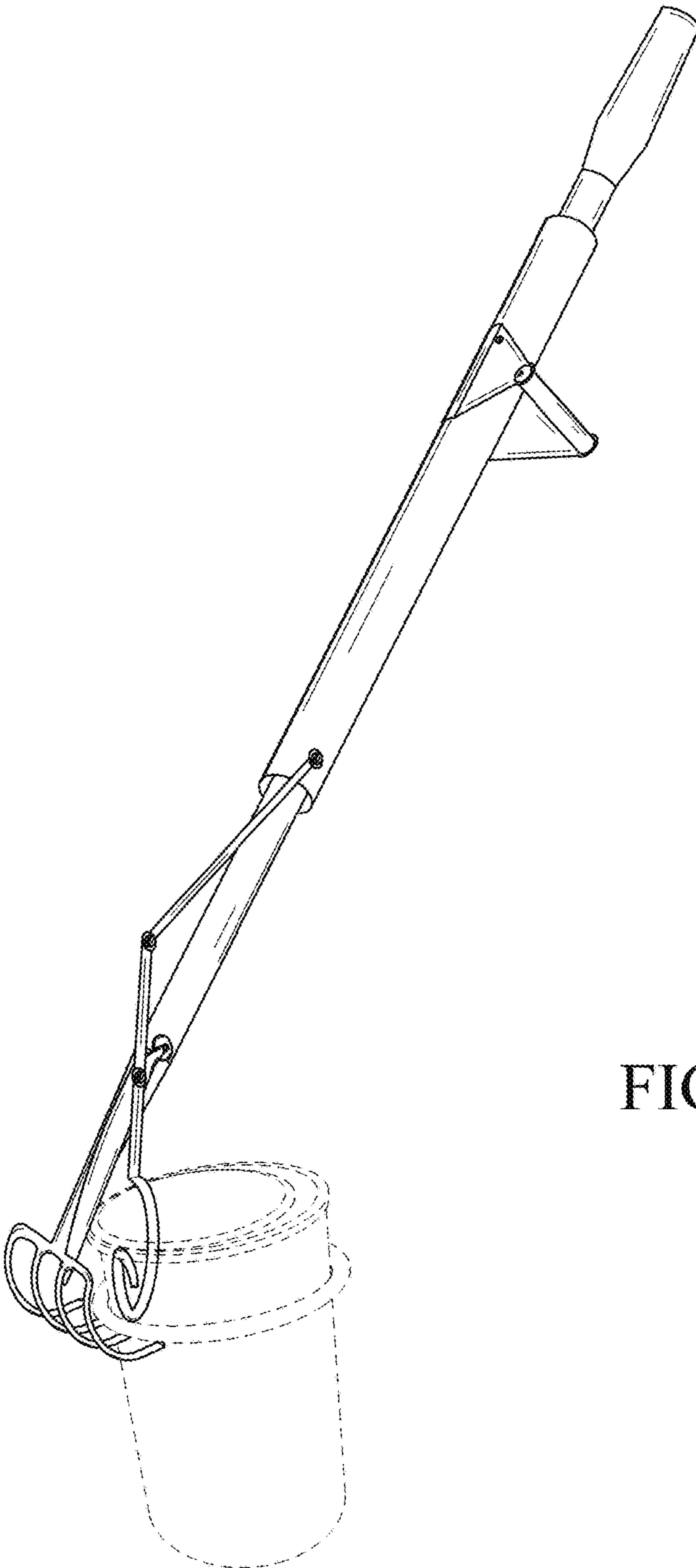


FIG. 1

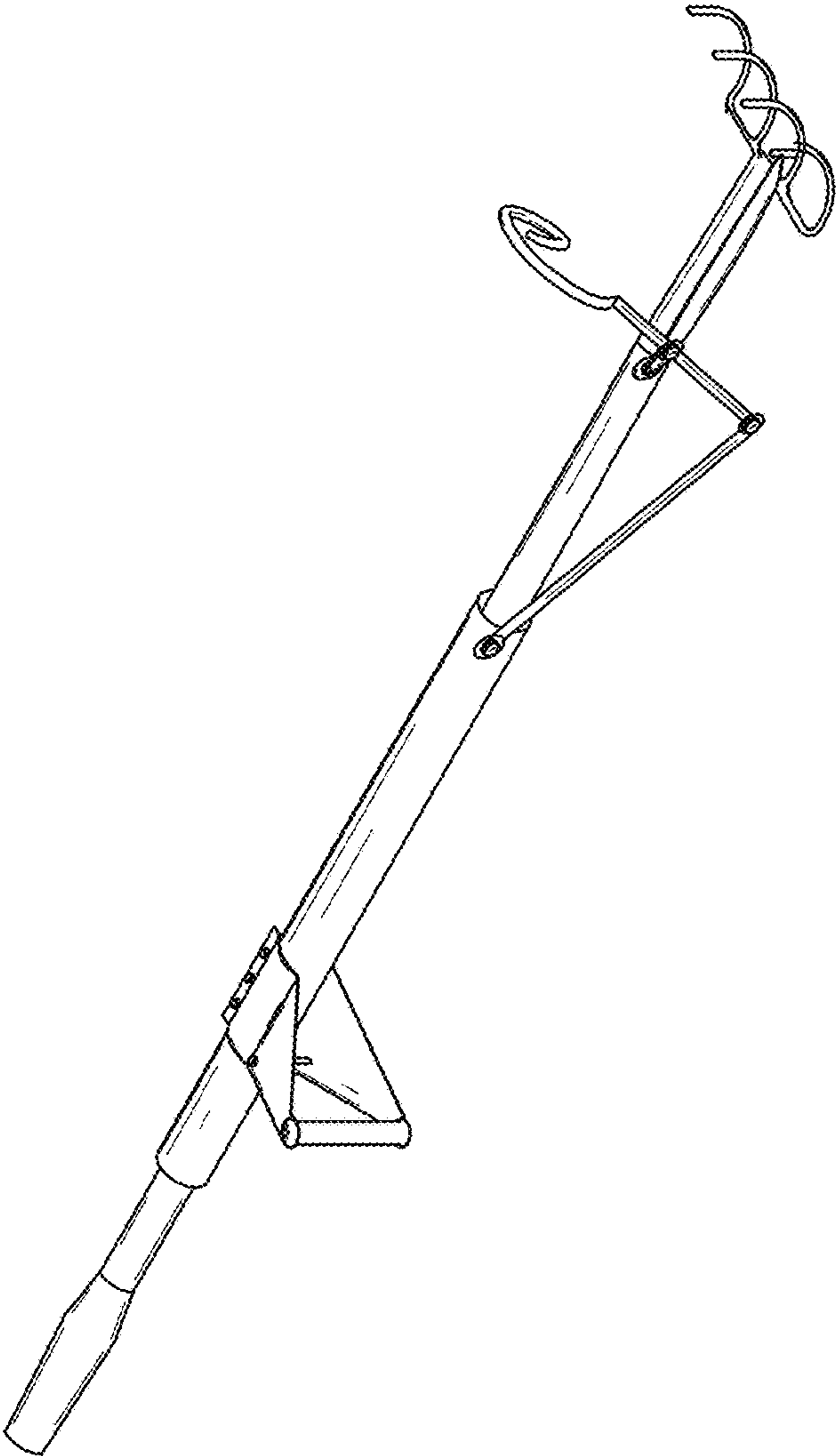


FIG. 2

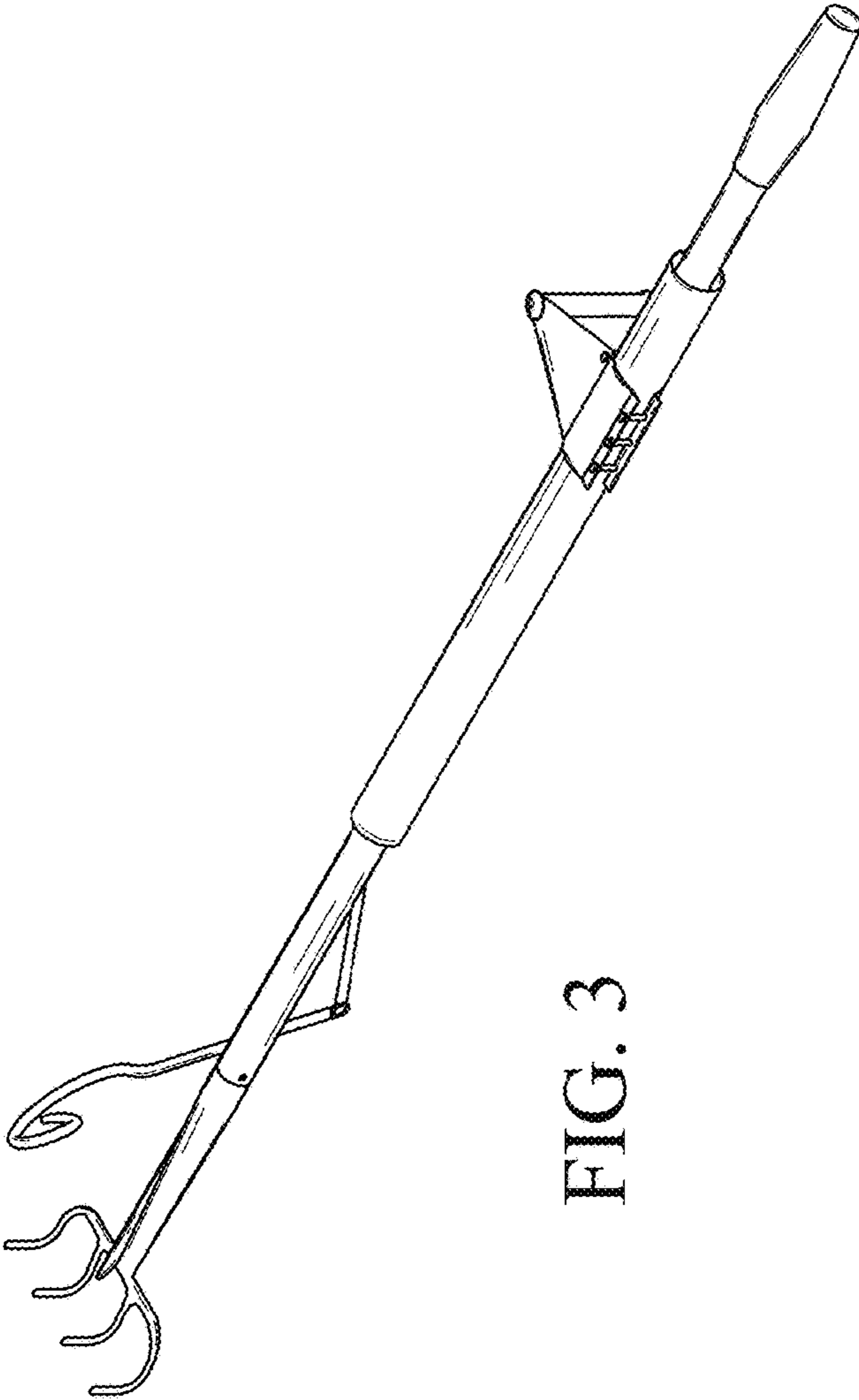


FIG. 3

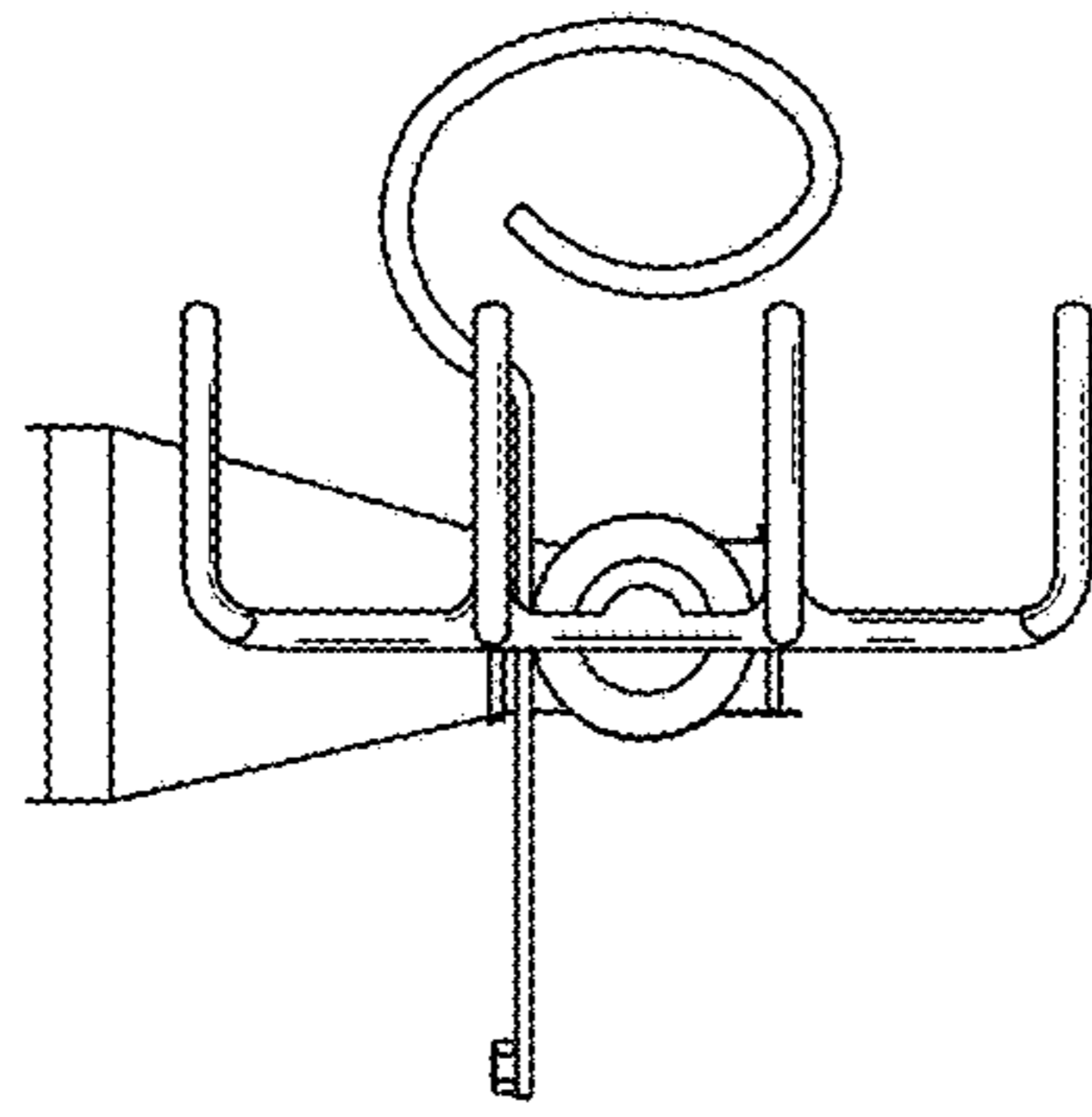


FIG. 4

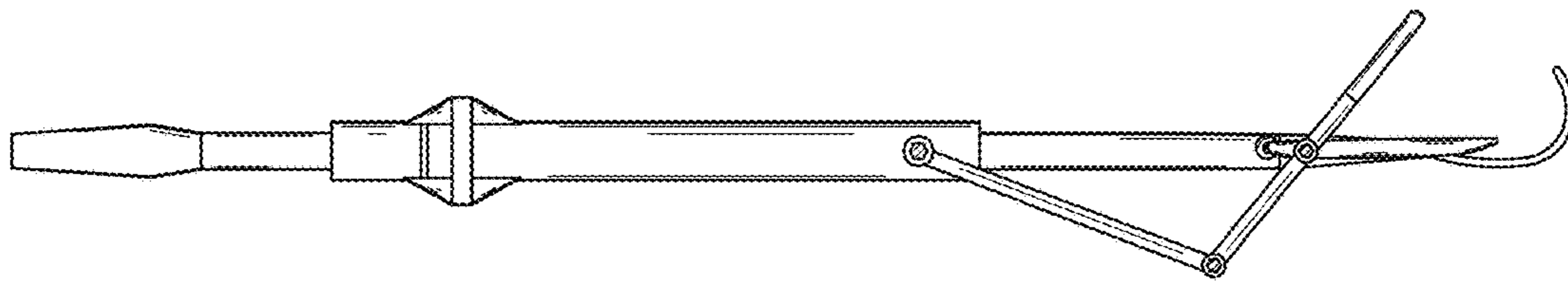


FIG. 5

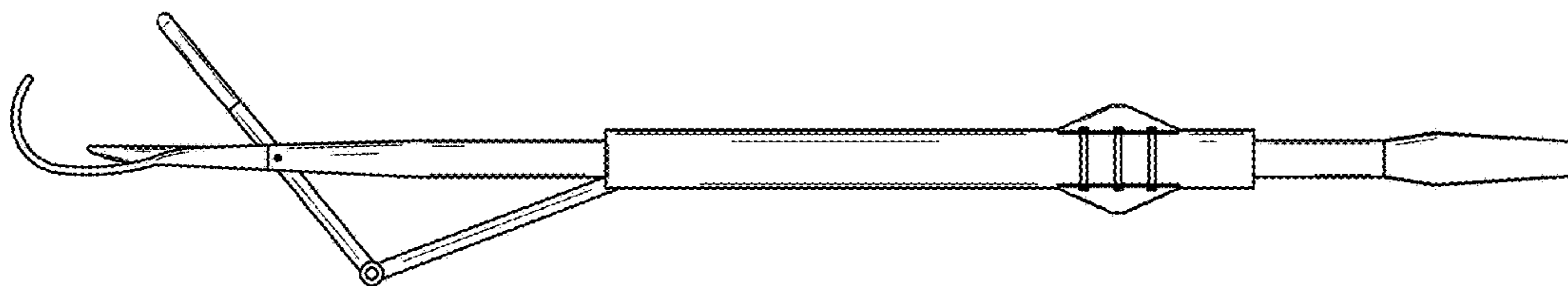


FIG. 6

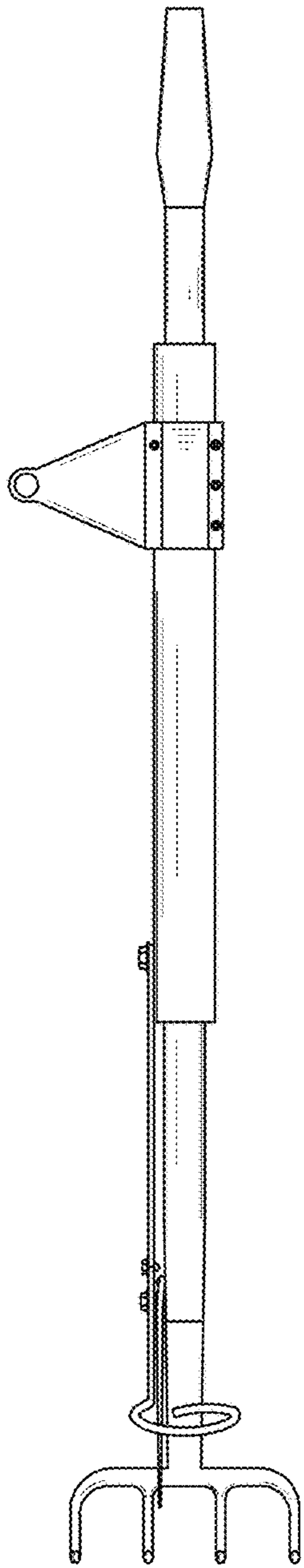


FIG. 7

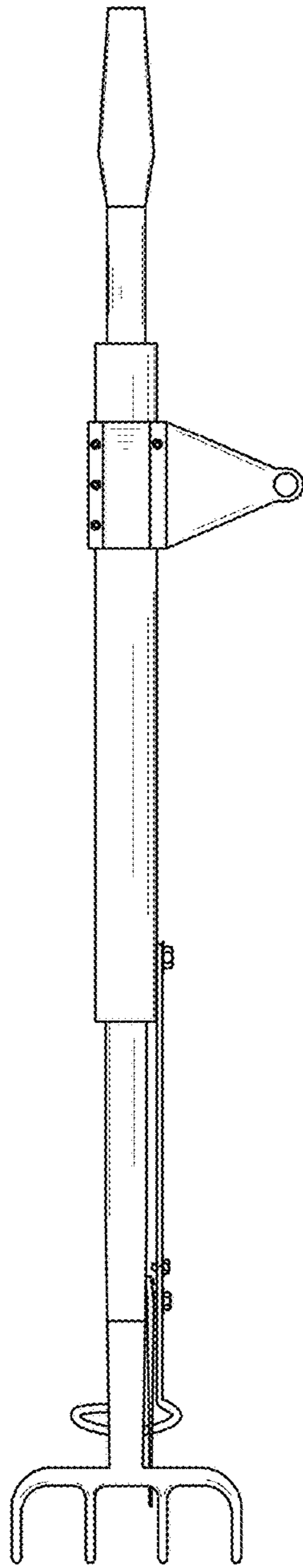


FIG. 8

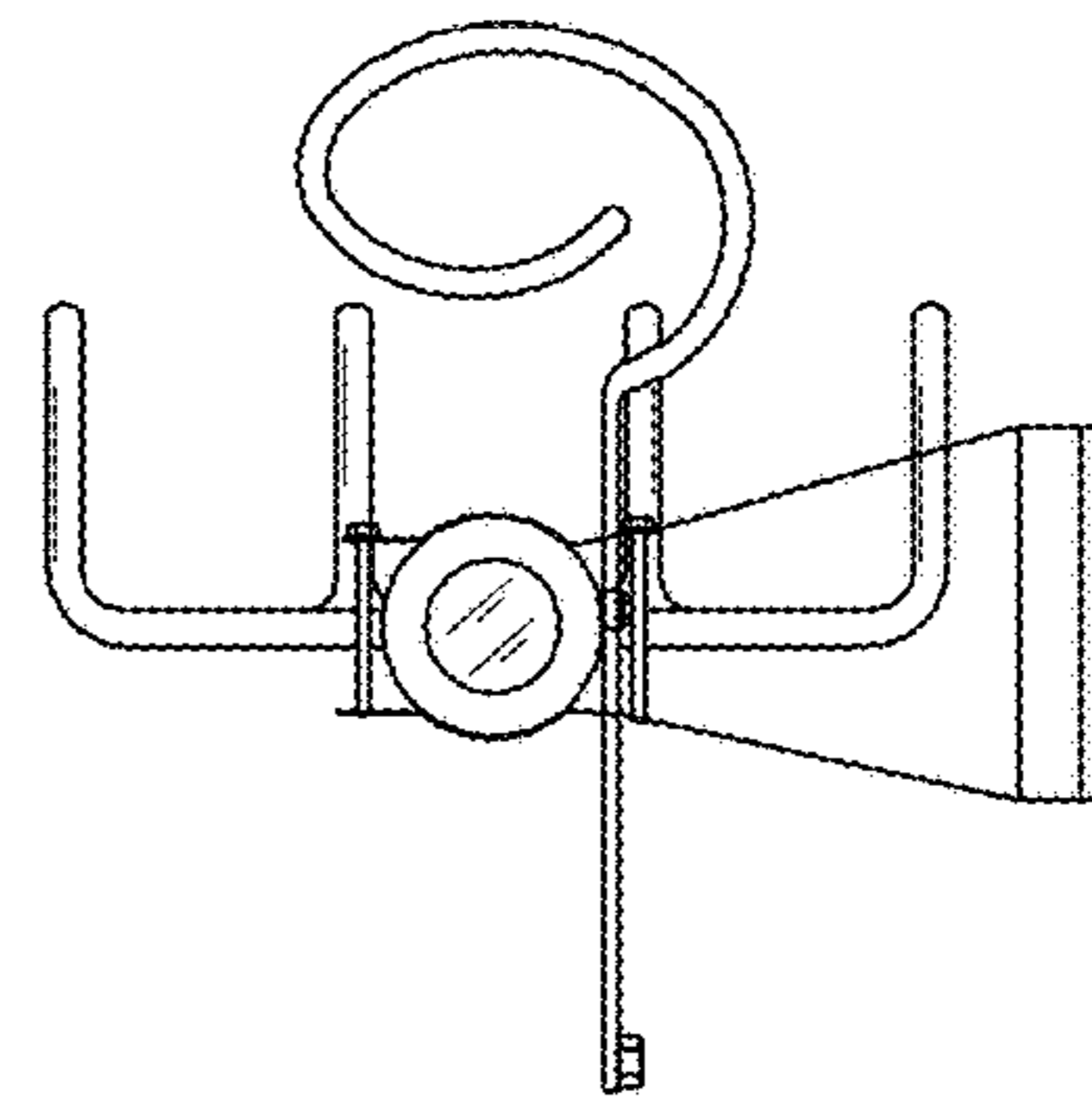


FIG. 9

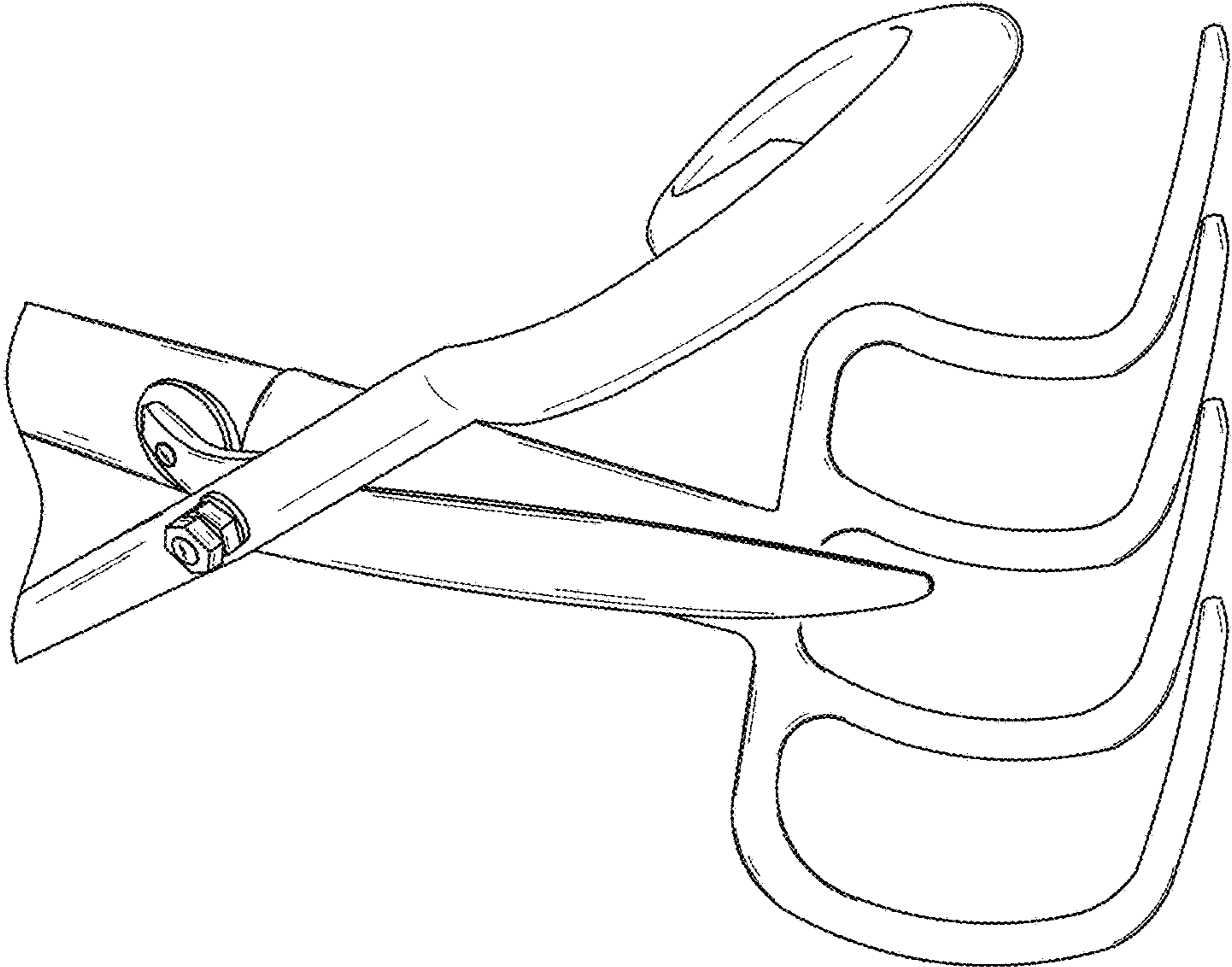


FIG. 10