



US00D833235S

(12) **United States Design Patent** (10) **Patent No.:** **US D833,235 S**  
**Phillips-Solomon** (45) **Date of Patent:** **\*\* Nov. 13, 2018**

(54) **POTATO SLICING RACK**

- (71) Applicant: **Charcoal Companion Incorporated**, Berkeley, CA (US)
- (72) Inventor: **Kwame Phillips-Solomon**, Emeryville, CA (US)
- (73) Assignee: **Charcoal Companion Incorporated**, Berkeley, CA (US)
- (\*\*) Term: **15 Years**
- (21) Appl. No.: **29/609,331**
- (22) Filed: **Jun. 29, 2017**
- (51) **LOC (11) Cl.** ..... **07-04**
- (52) **U.S. Cl.**  
USPC ..... **D7/673; D7/393**
- (58) **Field of Classification Search**  
USPC ..... D7/672-676, 693, 381  
CPC ..... B26B 29/063; B26D 1/553; B26D 1/30; A21C 15/04; A21C 11/106; A47J 36/00  
See application file for complete search history.

(56) **References Cited**

U.S. PATENT DOCUMENTS

1,764,235	A *	6/1930	Wilmking	.....	B26B 29/063
					83/467.1
2,592,657	A *	4/1952	Cierley	.....	A21C 11/106
					83/543
3,163,192	A *	12/1964	Lupoli	.....	B26D 1/553
					99/538
3,561,511	A *	2/1971	Kummer	.....	B26D 1/553
					83/597
3,999,293	A	12/1976	Zubrycki		
4,140,340	A *	2/1979	Cloutier	.....	A47J 43/18
					269/295
4,964,323	A *	10/1990	Fortney	.....	B26B 29/063
					83/167
5,067,241	A	11/1991	Goodman		
5,386,755	A *	2/1995	Schneider	.....	B26B 29/063
					30/289

(Continued)

OTHER PUBLICATIONS

Outset 76179 Spiral Cutter for Hot Dogs and Wieners [online], site visited [Jun. 29, 2017]. Available from Internet URL: <http://outsetinc.com/item/76179>.

*Primary Examiner* — Terry A Wallace

(74) *Attorney, Agent, or Firm* — Beeson Skinner Beverly, LLP

(57) **CLAIM**

The ornamental design for a potato slicing rack, as shown and described.

**DESCRIPTION**

FIG. 1 is an upper left front perspective view of a potato slicing rack showing my new design;

FIG. 2 is a front elevational view thereof, the rear elevational view being a mirror image;

FIG. 3 is a left side elevational view thereof;

FIG. 4 is a right side elevational view thereof;

FIG. 5 is a sectional view of thereof taken along line 5-5 in FIG. 4;

FIG. 6 is a top plan view thereof;

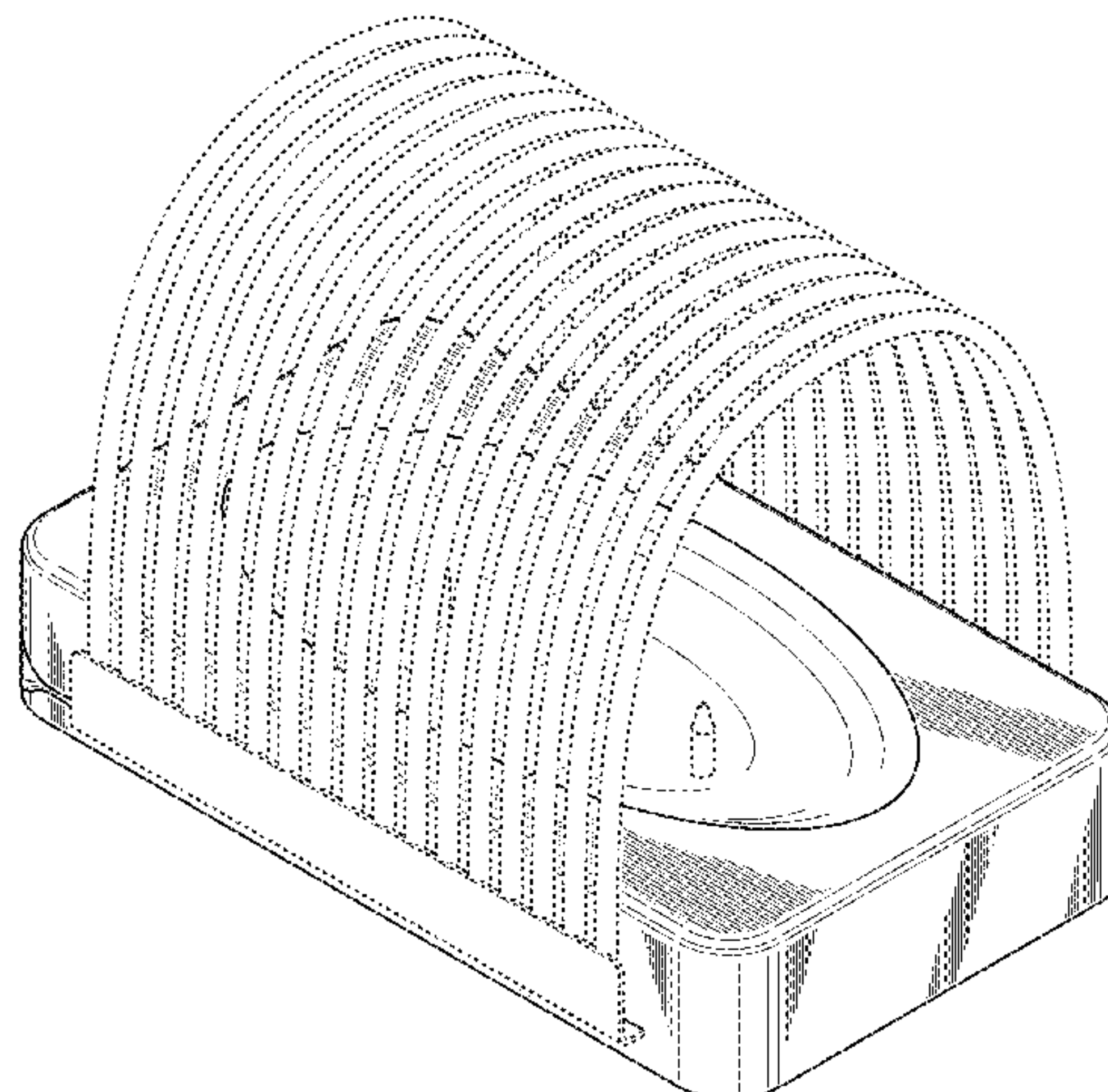
FIG. 7 is a bottom plan view thereof;

FIG. 8 is another upper left front perspective view thereof, with the cutting guide of the potato slicing rack removed; and,

FIG. 9 is another front elevational view thereof, with the cutting guide of the potato slicing rack removed.

The broken lines in FIGS. 1 to 7 showing a cutting guide of the potato slicing rack form no part of the claimed design. The broken lines in FIGS. 1, 5, 6 and 8 showing potato anchoring pins on the base of the potato slicing rack form no part of the claimed design. The broken lines in FIG. 7 on the bottom of the potato slicing rack represent the boundary of the claimed design; the area within this boundary forms no part of the claimed design.

**1 Claim, 5 Drawing Sheets**



(56)

**References Cited**

U.S. PATENT DOCUMENTS

5,692,424 A \* 12/1997 Wallace ..... A47J 36/00  
83/167  
5,907,989 A \* 6/1999 Sie ..... B26B 29/063  
116/200  
6,018,876 A 2/2000 Hodges  
D635,409 S \* 4/2011 Coffey ..... D7/674  
8,122,804 B2 \* 2/2012 Noguchi ..... G01N 1/06  
83/607  
D662,790 S \* 7/2012 Rugprayoon ..... D7/674  
8,272,631 B2 \* 9/2012 Gannon ..... A47J 17/10  
269/90  
8,448,552 B2 \* 5/2013 Hoffman ..... B26B 29/063  
30/165  
2004/0016131 A1 \* 1/2004 Hayashi ..... B26B 29/063  
30/302  
2004/0025651 A1 \* 2/2004 Bachman ..... A21C 15/04  
83/13  
2006/0225547 A1 \* 10/2006 Stanojevic ..... B26D 1/553  
83/13  
2010/0175568 A1 \* 7/2010 Fritz-Jung ..... B26D 1/30  
99/537  
2014/0054836 A1 \* 2/2014 Chen ..... B26B 29/063  
269/288

\* cited by examiner

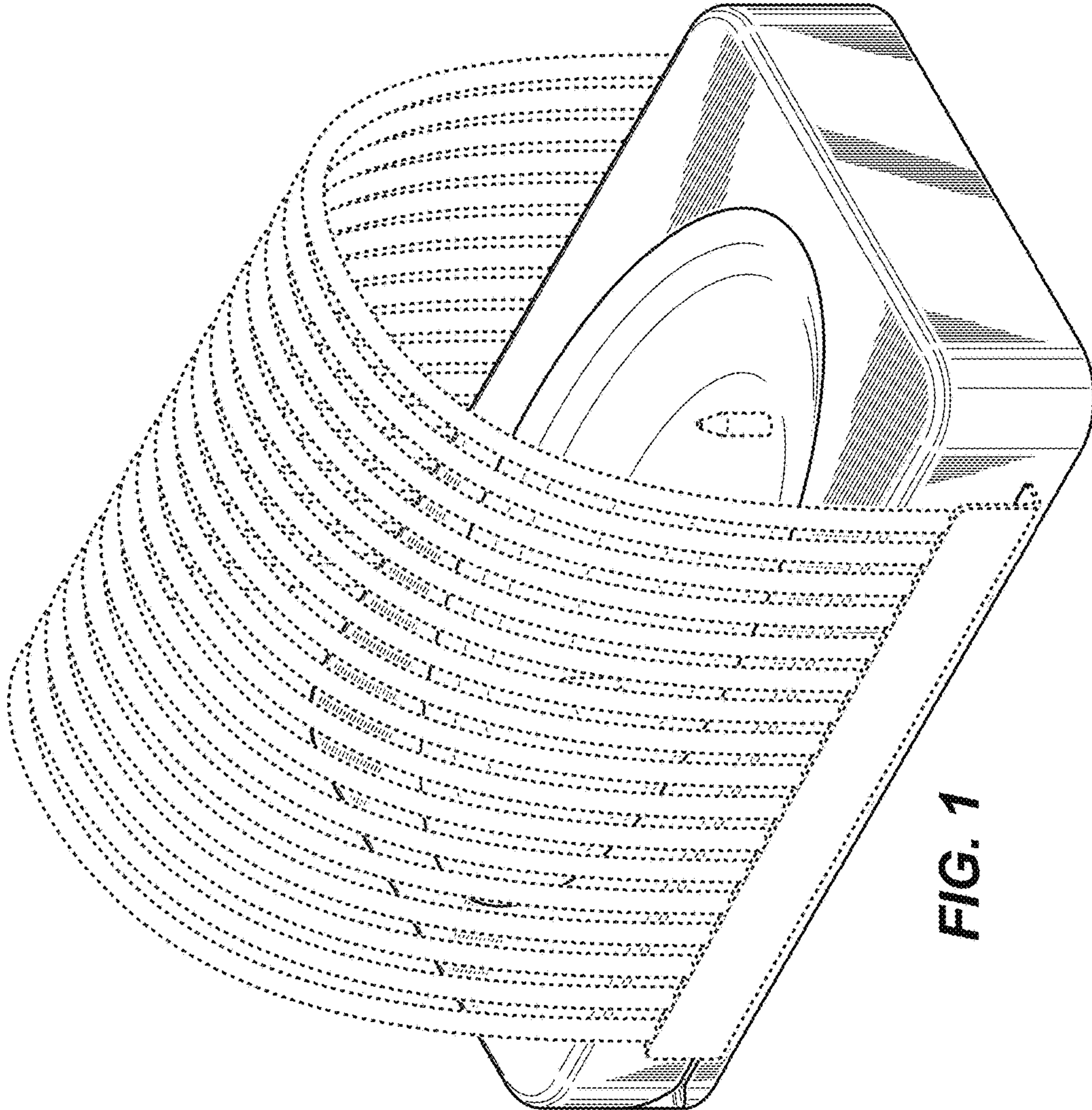
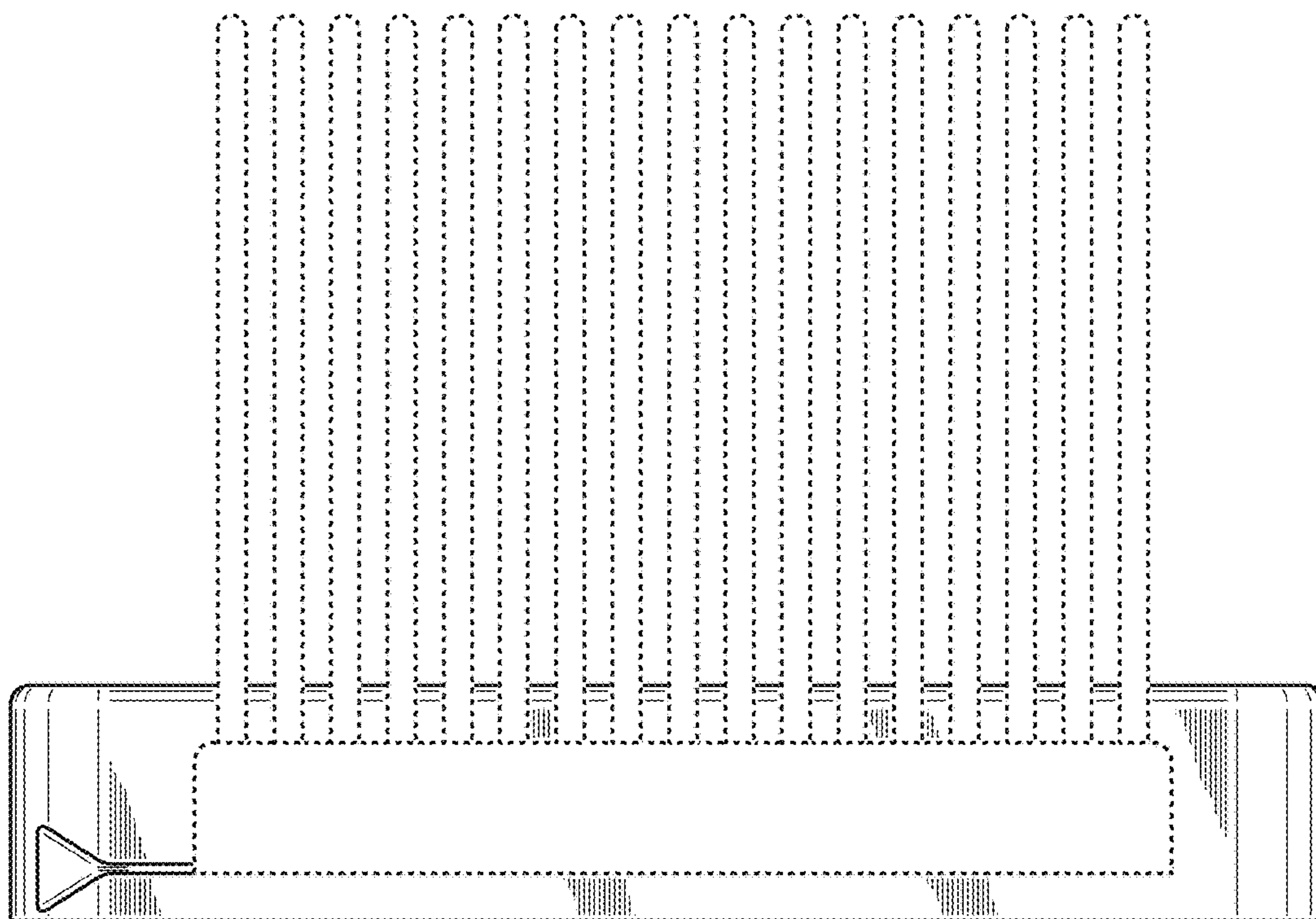
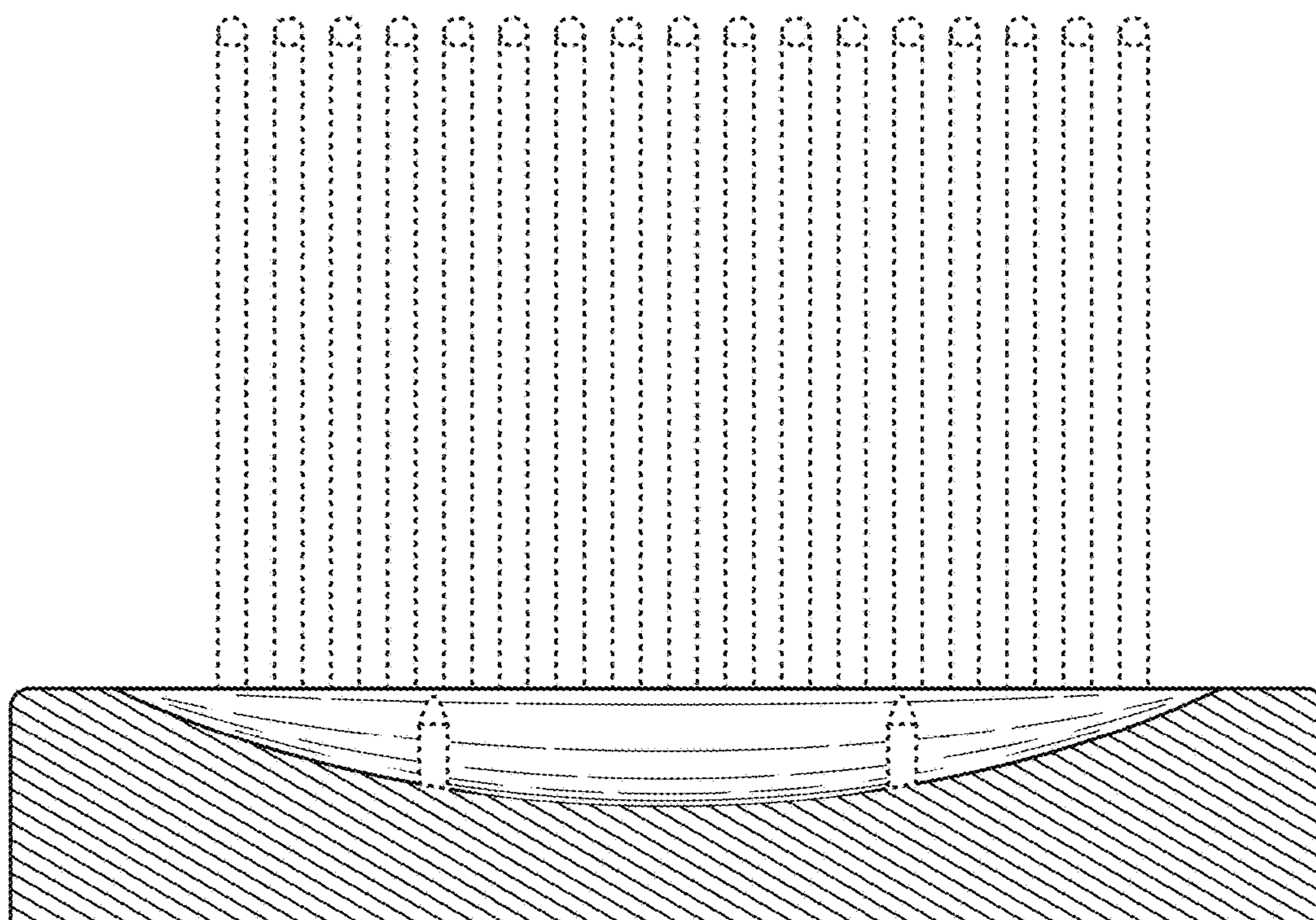


FIG. 1

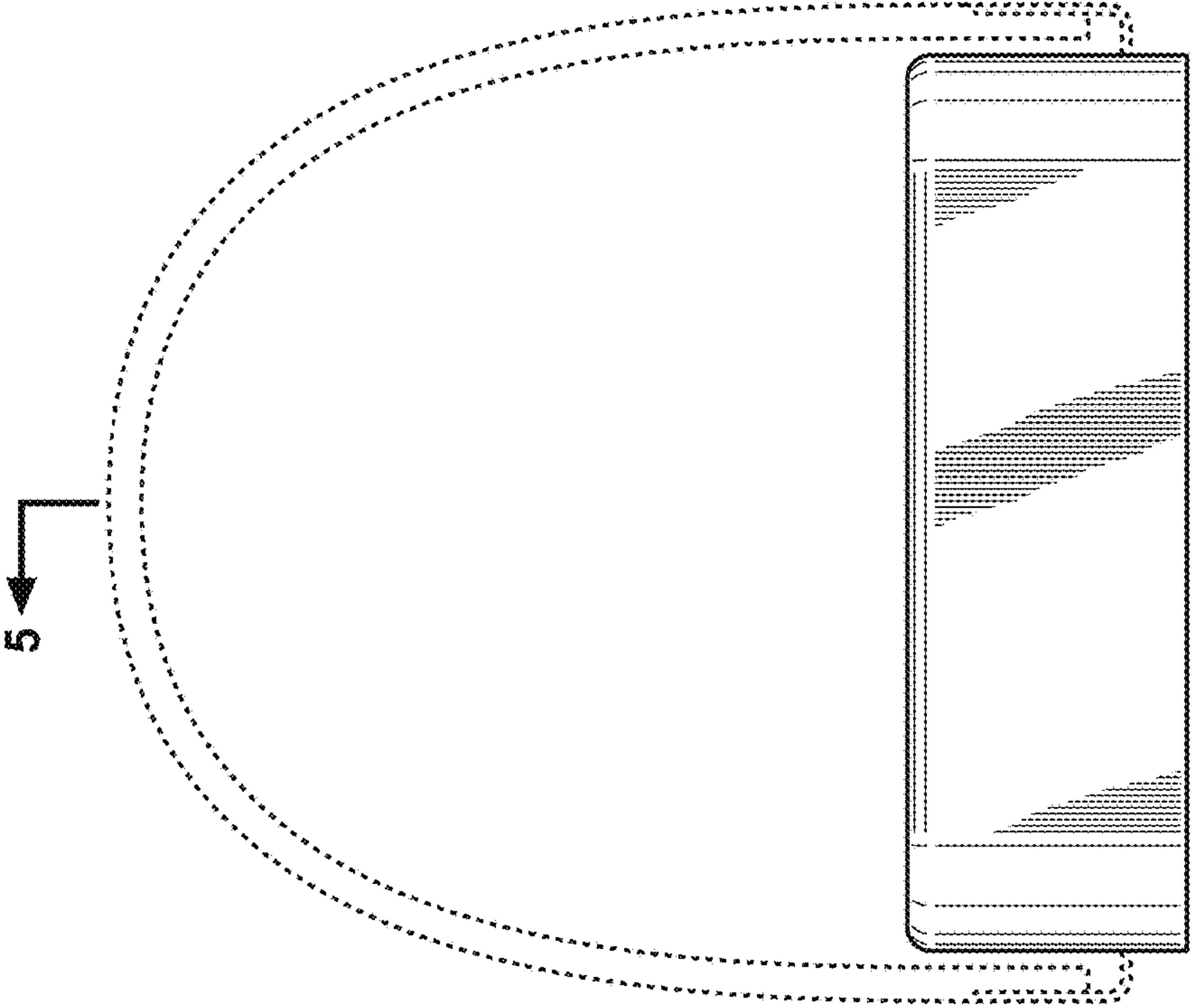




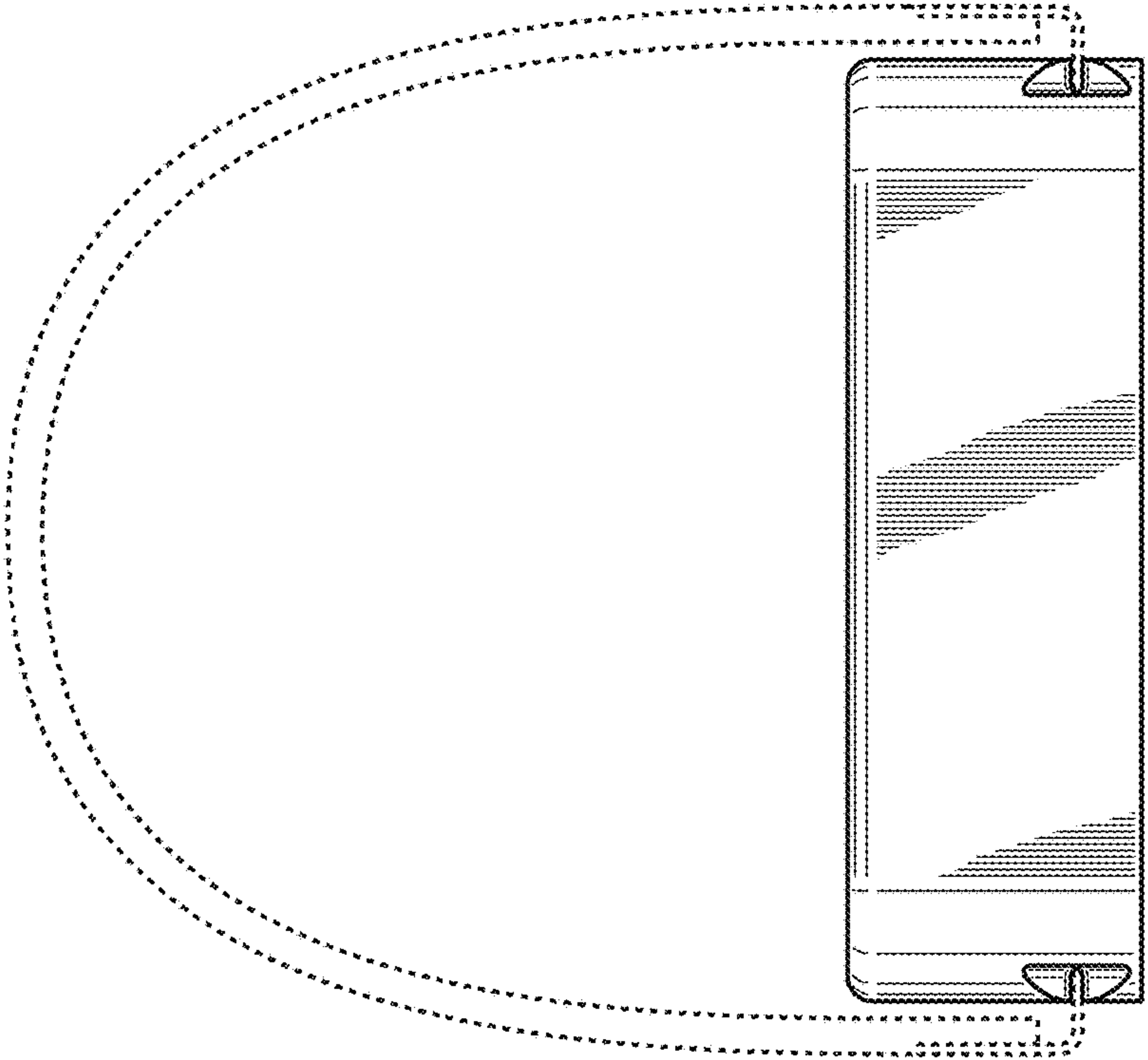
**FIG. 2**



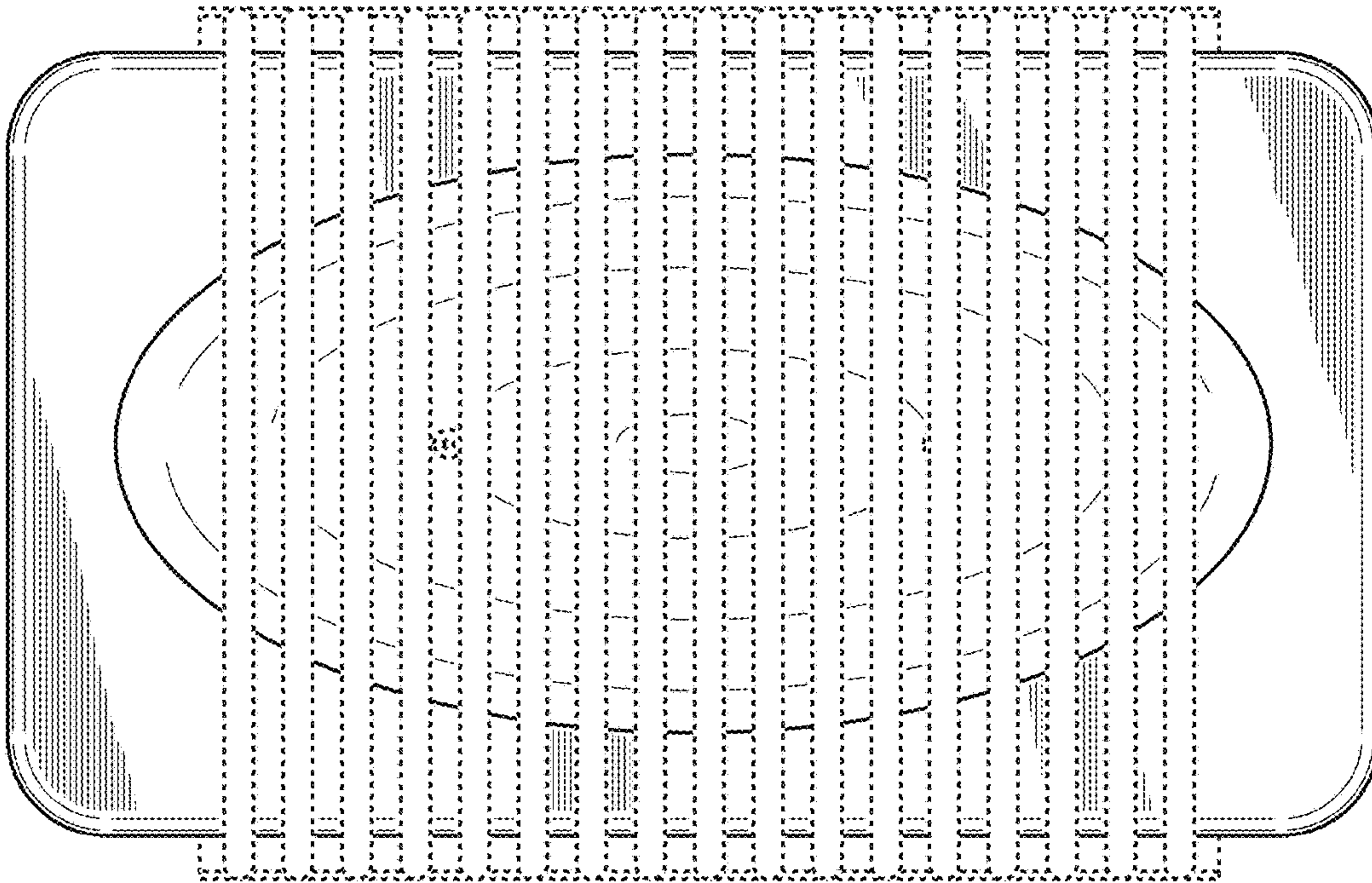
**FIG. 5**



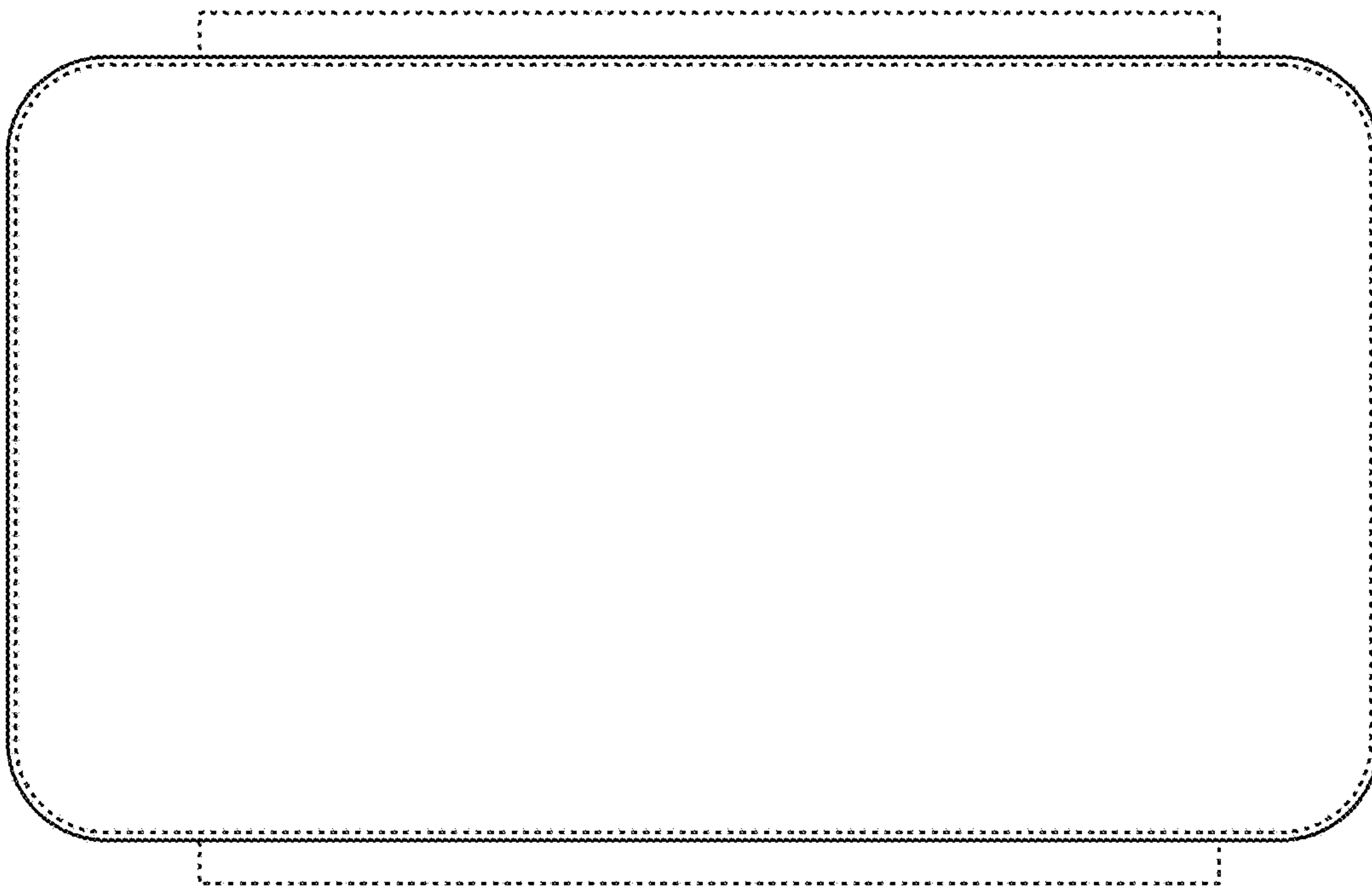
**FIG. 4**



**FIG. 3**



**FIG. 6**



**FIG. 7**



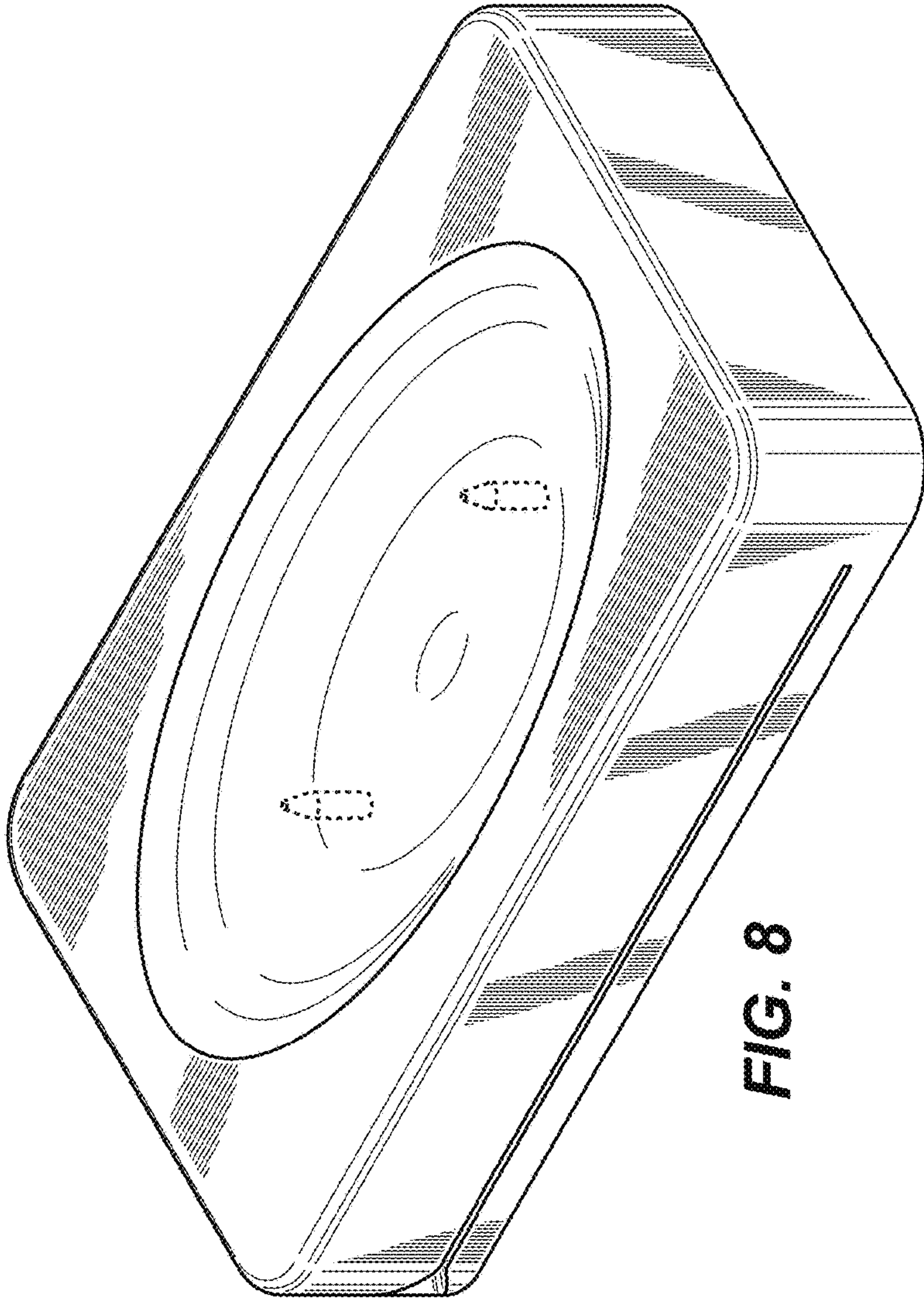


FIG. 8

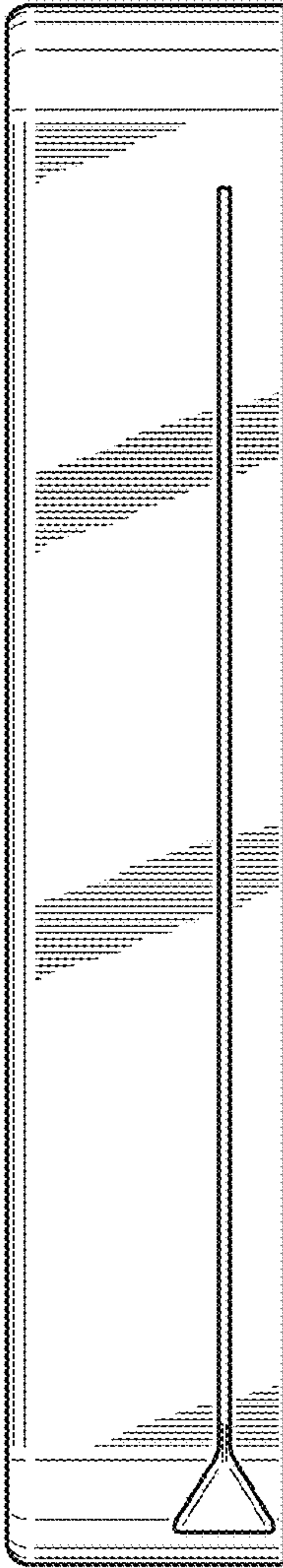


FIG. 9