



US00D833234S

(12) **United States Design Patent**
Borovicka

(10) **Patent No.:** **US D833,234 S**
(45) **Date of Patent:** **** Nov. 13, 2018**

(54) **GRILL PRESS**

OTHER PUBLICATIONS

- (71) Applicant: **Charcoal Companion Incorporated**, Berkeley, CA (US)
- (72) Inventor: **Cory Thomas Borovicka**, Oakland, CA (US)
- (73) Assignee: **Charcoal Companion Incorporated**, Berkeley, CA (US)

Celebrity Secret to Perfect Grilled or Barbecue Food Rack [online], site visited [Jun. 28, 2017]. Available from Internet Url: https://www.amazon.com/Outset-Q112-Round-Grill-Press/dp/B00155SSK8/ref=sr_1_3?ie=UTF8&qid=1498692108.

Outset Q112 Round Grill Press, Cast Iron [online], site visited [Jun. 28, 2017]. Available from Internet URL: https://www.amazon.com/Celebrity-Perfect-Grilled-Barbecue-SANDWHICH/dp/B01MRIWOC1/ref=sr_1_6?ie=UTF8&qid=1498692108&sr=8-6.

(**) Term: **15 Years**

* cited by examiner

(21) Appl. No.: **29/608,953**

Primary Examiner — Terry A Wallace

(22) Filed: **Jun. 27, 2017**

(74) *Attorney, Agent, or Firm* — Beeson Skinner Beverly, LLP

(51) **LOC (11) Cl.** **07-04**

(57) **CLAIM**

(52) **U.S. Cl.**

The ornamental design for a grill press, as shown and described.

USPC **D7/669**; D7/682

(58) **Field of Classification Search**

USPC D7/669, 368, 682

CPC A47J 43/00; A47J 43/18; A47J 37/108

See application file for complete search history.

DESCRIPTION

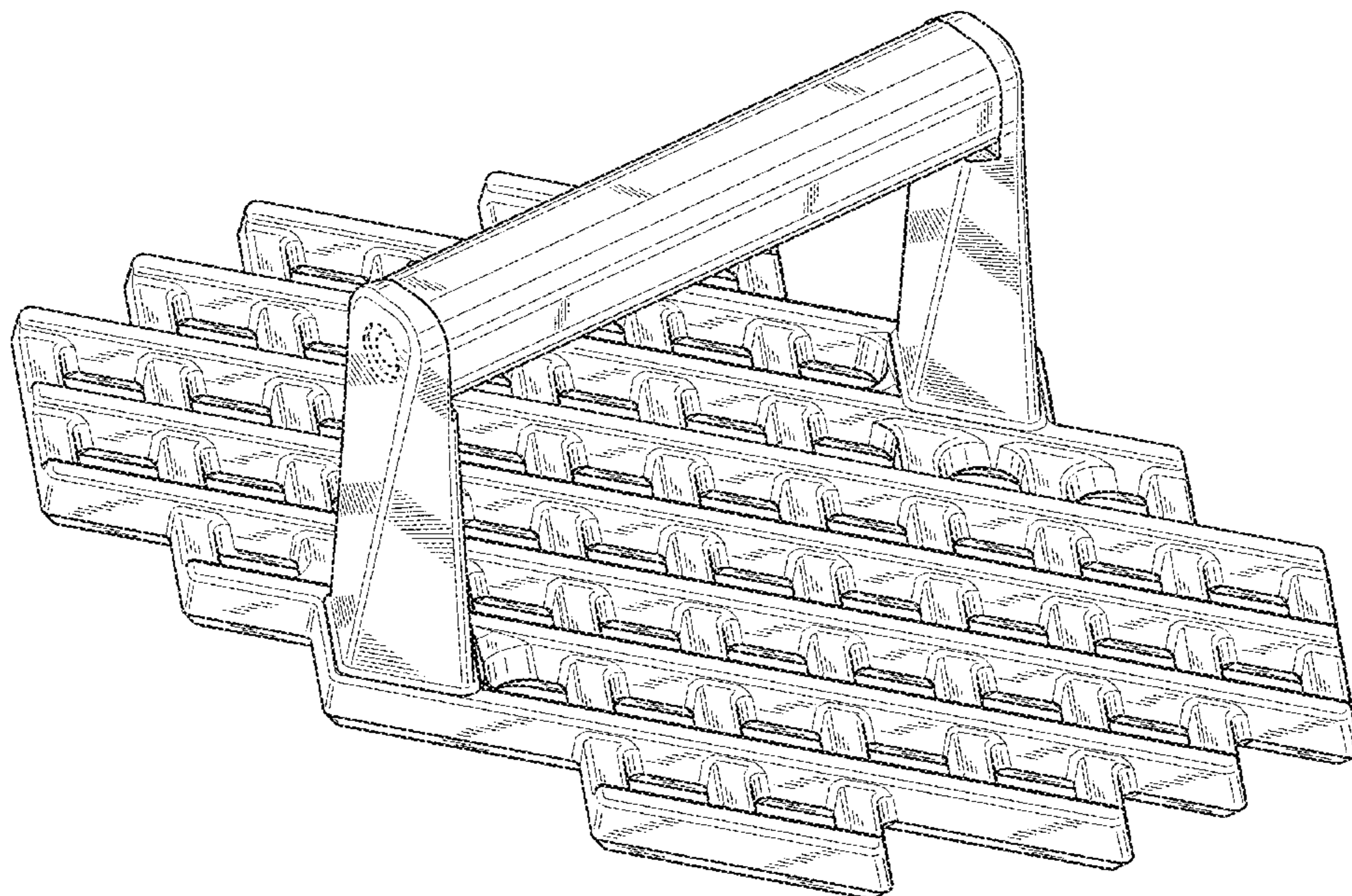
(56) **References Cited**

U.S. PATENT DOCUMENTS

2,241,317	A *	5/1941	Pringle	A47J 37/06
					16/436
7,586,067	B2 *	9/2009	Hill	A47J 43/18
					219/729
7,703,387	B2 *	4/2010	Muskat	A47J 37/108
					99/349
2004/0074398	A1 *	4/2004	Griffin	A23L 5/15
					99/342
2013/0108761	A1	5/2013	Kenton		

FIG. 1 is an upper left front perspective view of a grill press showing my new design;
 FIG. 2 is a front elevational view of the same, with the rear elevational view being a mirror image thereof;
 FIG. 3 is a left side elevational view thereof, with the right side elevational view being a mirror image thereof;
 FIG. 4 is a top plan view thereof; and,
 FIG. 5 is a bottom plan view thereof.
 The broken lines in FIGS. 1 to 4 showing fastener means on the handle of the grill press form no part of the claimed design.

1 Claim, 4 Drawing Sheets



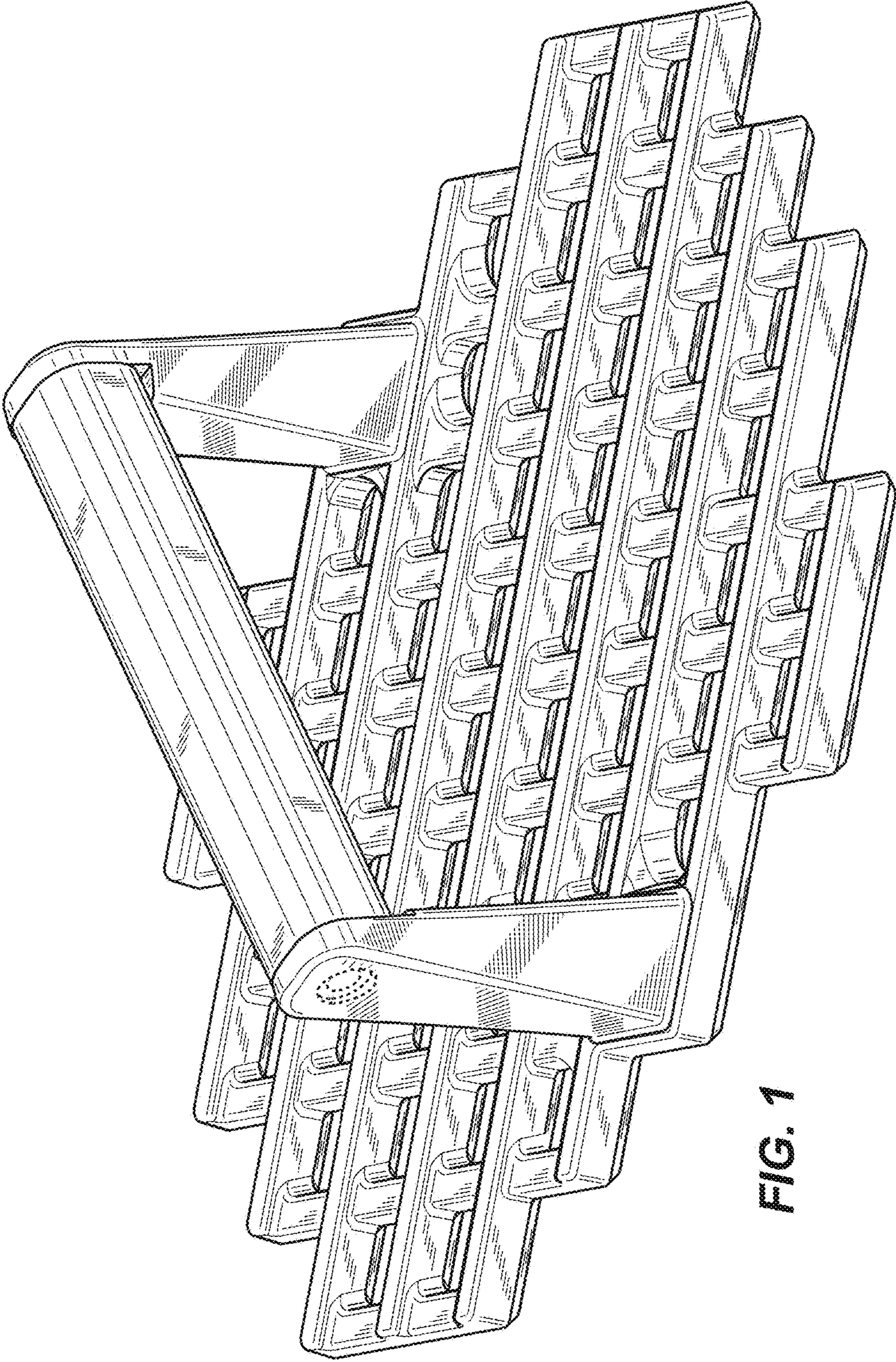


FIG. 1

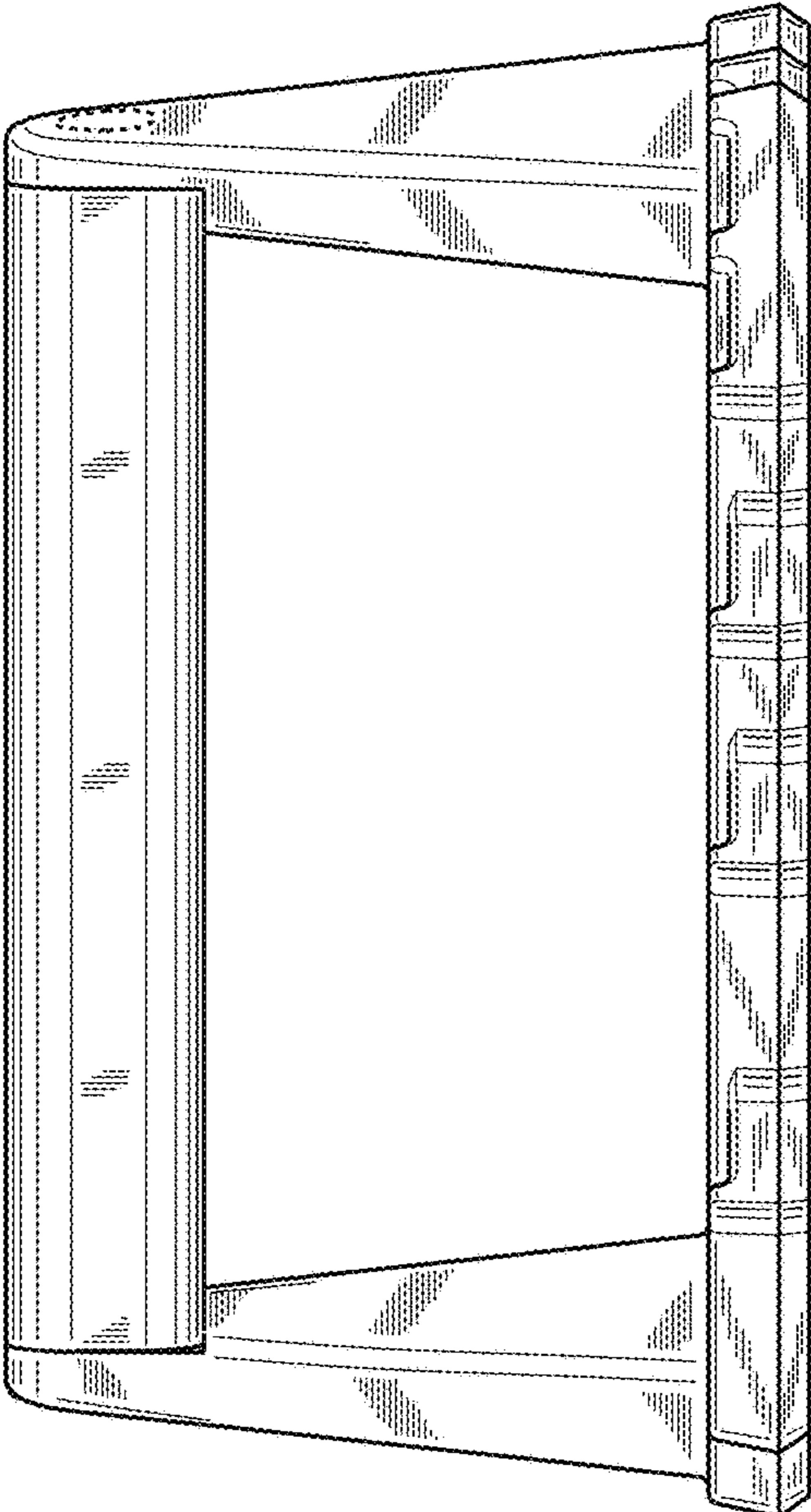


FIG. 2

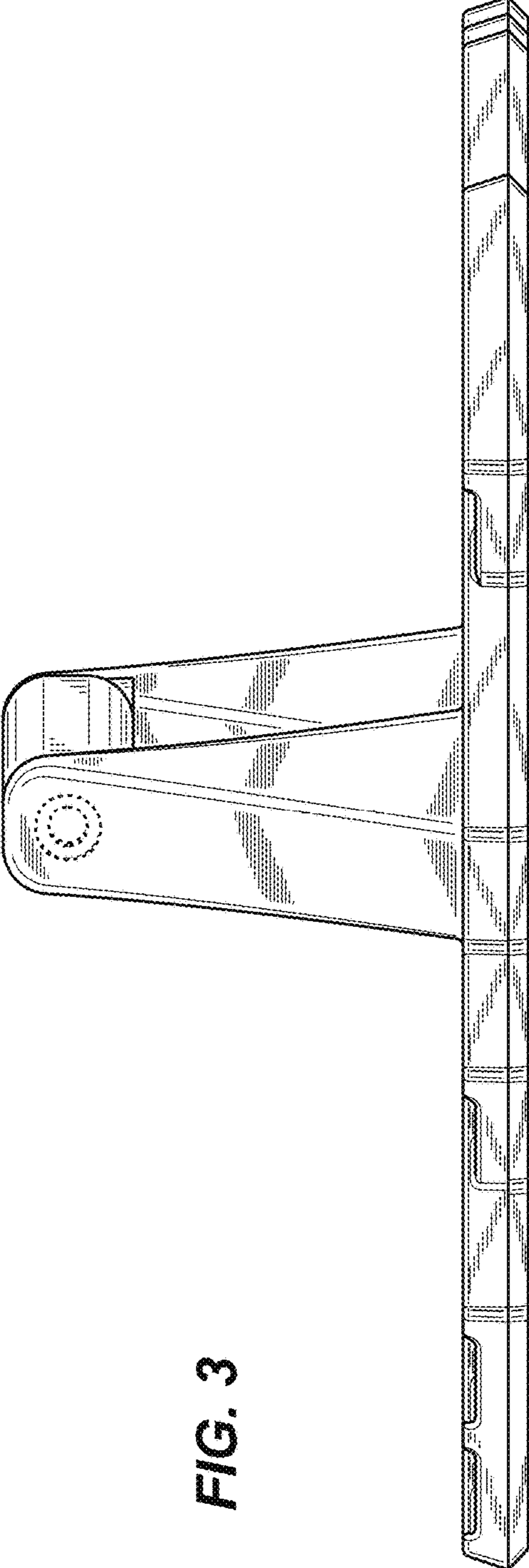


FIG. 3

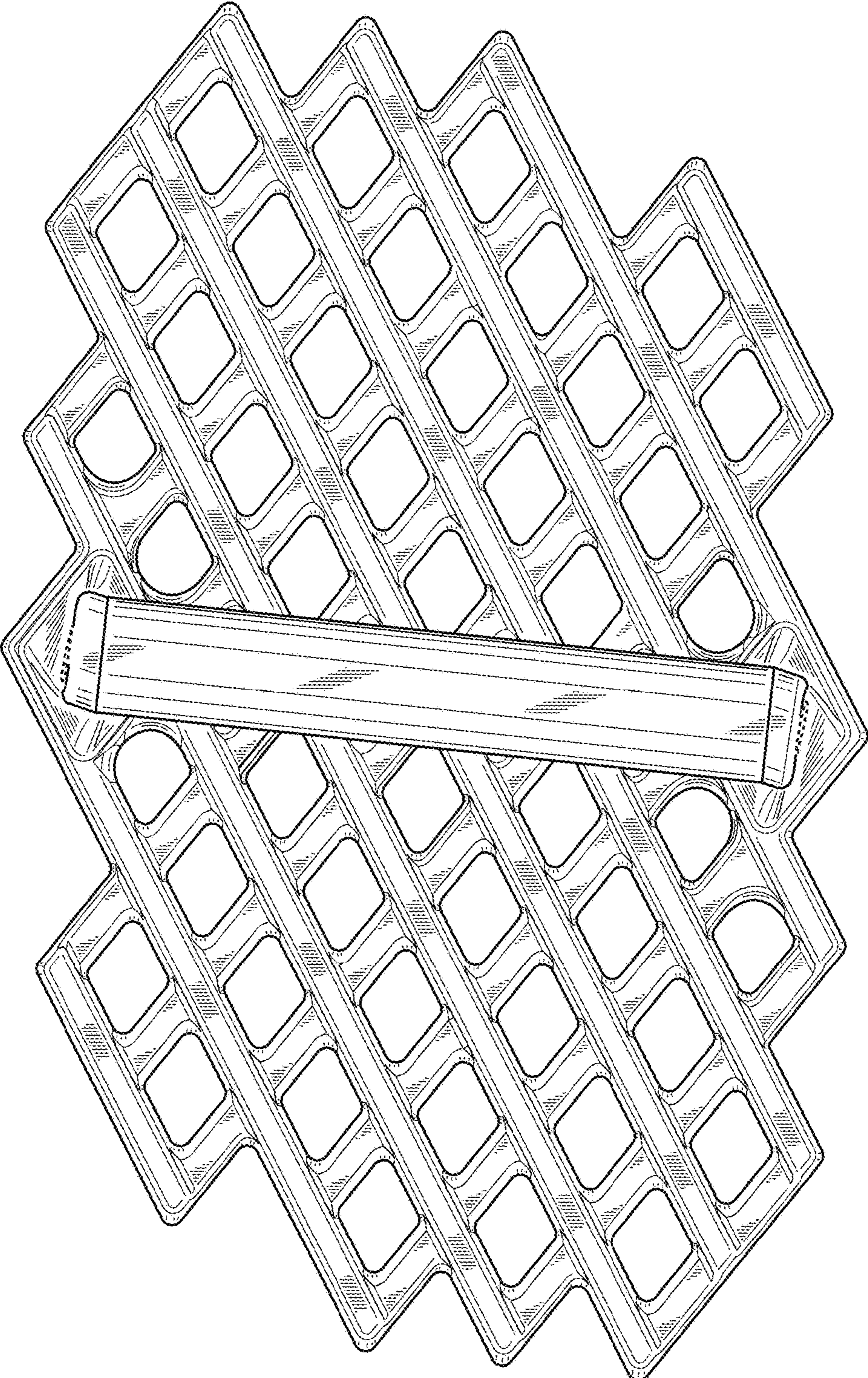


FIG. 4

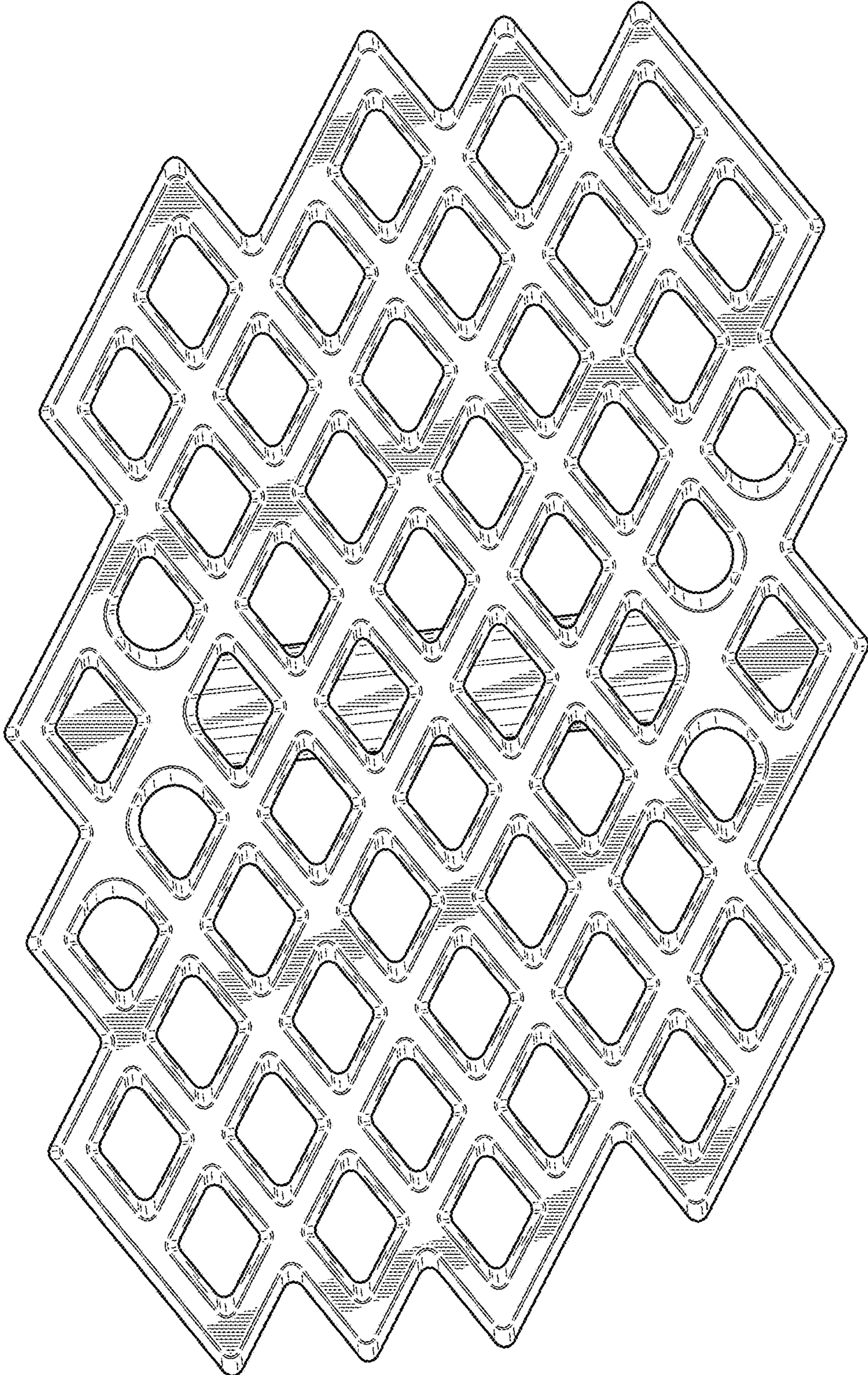


FIG. 5