



US00D833224S

(12) **United States Design Patent**
Wahlkvist

(10) **Patent No.:** **US D833,224 S**

(45) **Date of Patent:** **** Nov. 13, 2018**

(54) **BOTTLE**

(71) Applicant: **Prima Holding Sverige AB**, Halmstad (SE)

(72) Inventor: **Camilla Wahlkvist**, Järfälla (SE)

(73) Assignee: **Prima Holding Sverige AB**, Halmstad (SE)

(**) Term: **15 Years**

(21) Appl. No.: **29/591,680**

(22) Filed: **Jan. 23, 2017**

(30) **Foreign Application Priority Data**

Jul. 25, 2016 (EM) 003318450

(51) **LOC (11) Cl.** **07-01**

(52) **U.S. Cl.**
USPC **D7/510; D7/300.1; D7/532**

(58) **Field of Classification Search**
USPC D7/507, 509, 510, 511, 523, 529, 530,
D7/531, 532, 533, 536, 300.1, 300.2;
220/592.16, 592.17, 495.03; D9/503, 504
CPC A47G 19/22; A47G 19/2205; A47G 19/02;
A47G 19/00; A47J 43/27
See application file for complete search history.

(56) **References Cited**

U.S. PATENT DOCUMENTS

D580,765 S * 11/2008 Amann D9/504
D644,065 S * 8/2011 Llerena D7/300.1
D646,919 S * 10/2011 Nilsson B65D 47/148
D7/300.1
D656,357 S * 3/2012 Enghard D7/300.1

D677,121 S * 3/2013 Meyers D7/510
D687,661 S * 8/2013 Cetera D7/300.1
D687,677 S * 8/2013 Sturgess D7/507
D688,520 S * 8/2013 Lin D7/300.1
D723,332 S * 3/2015 Steel D7/510
D739,674 S * 9/2015 Bergstrom D7/300.1
D751,344 S * 3/2016 Charlton D7/300.1
D766,029 S * 9/2016 Lin D7/300.1
D771,990 S * 11/2016 Horowitz D7/300.1
D780,516 S * 3/2017 Cornelius D7/510
D802,366 S * 11/2017 Cerasani D7/510
2012/0061398 A1* 3/2012 Nilsson A47J 43/27
220/568
2014/0360908 A1* 12/2014 Sorensen B65D 21/0228
206/501
2016/0235252 A1* 8/2016 Muir A47J 43/27

* cited by examiner

Primary Examiner — Marianne Pandozzi

Assistant Examiner — Jae Liang

(74) *Attorney, Agent, or Firm* — Tucker Ellis LLP

(57) **CLAIM**

The ornamental design for a bottle, as shown and described.

DESCRIPTION

FIG. 1 is a perspective view of a bottle showing my new design.

FIG. 2 is another perspective view thereof.

FIG. 3 is a front view thereof.

FIG. 4 is a rear view thereof.

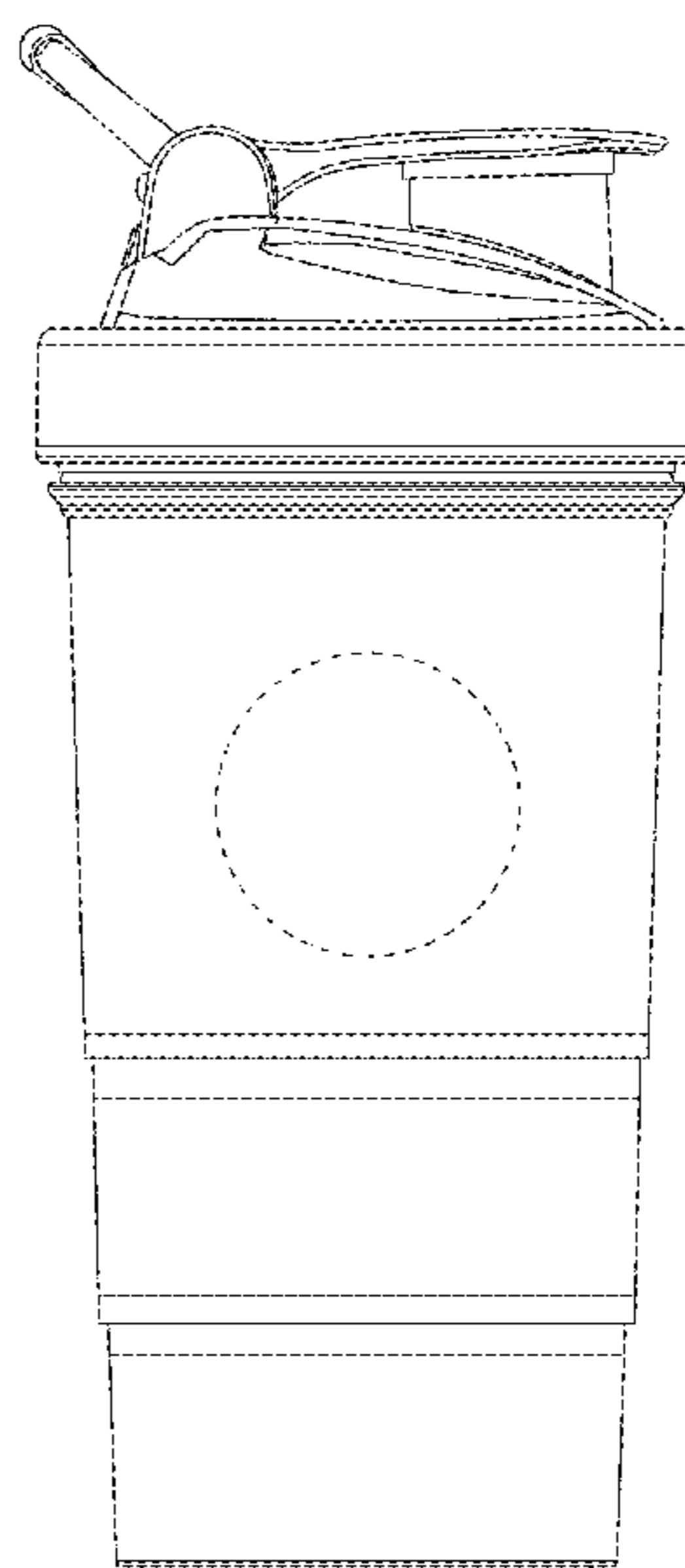
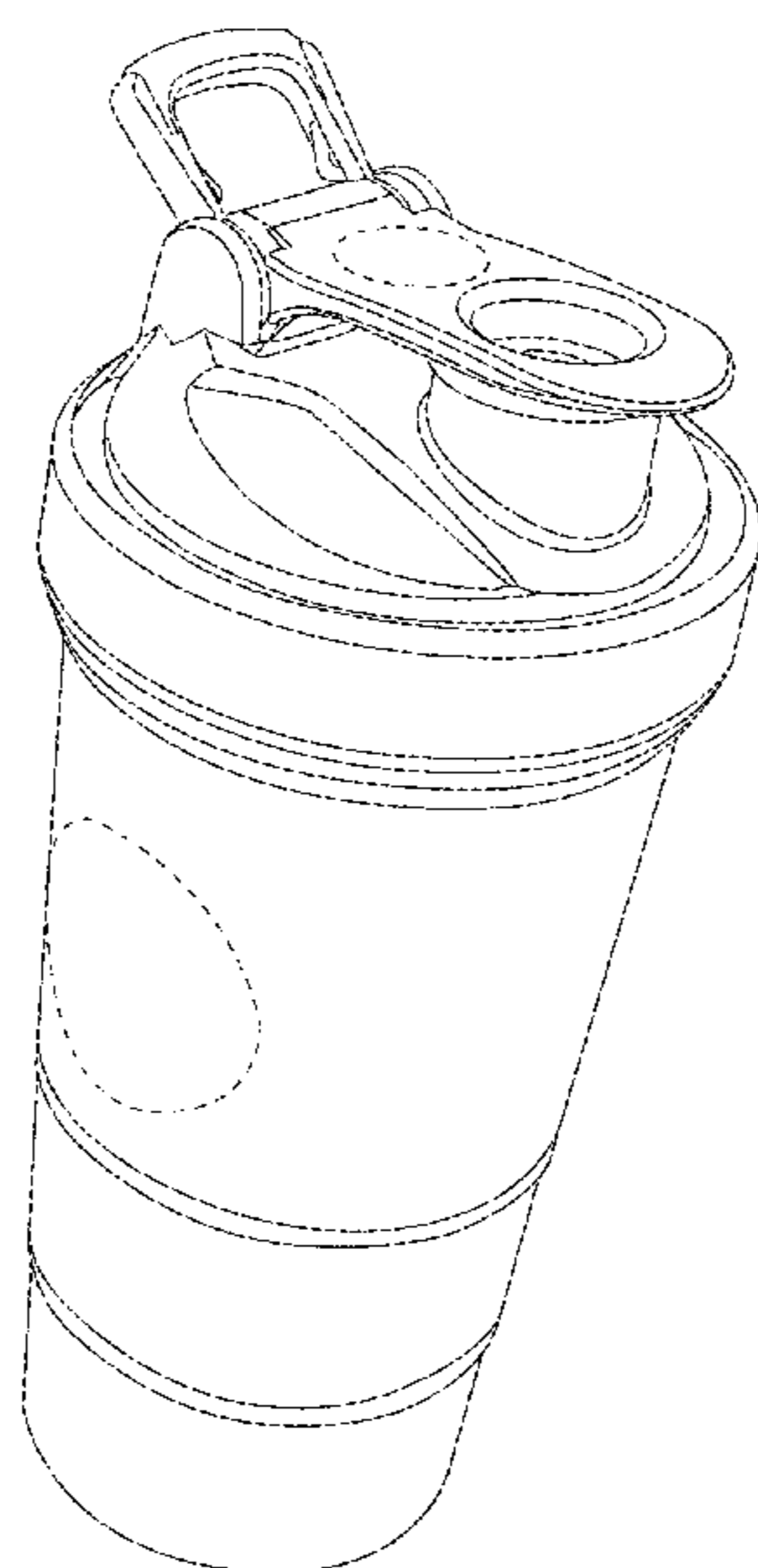
FIG. 5 is a left side view thereof.

FIG. 6 is a right side view thereof; and,

FIG. 7 is a top view thereof.

The broken lines in the drawings depict portions of the bottle that form no part of the claimed design.

1 Claim, 7 Drawing Sheets



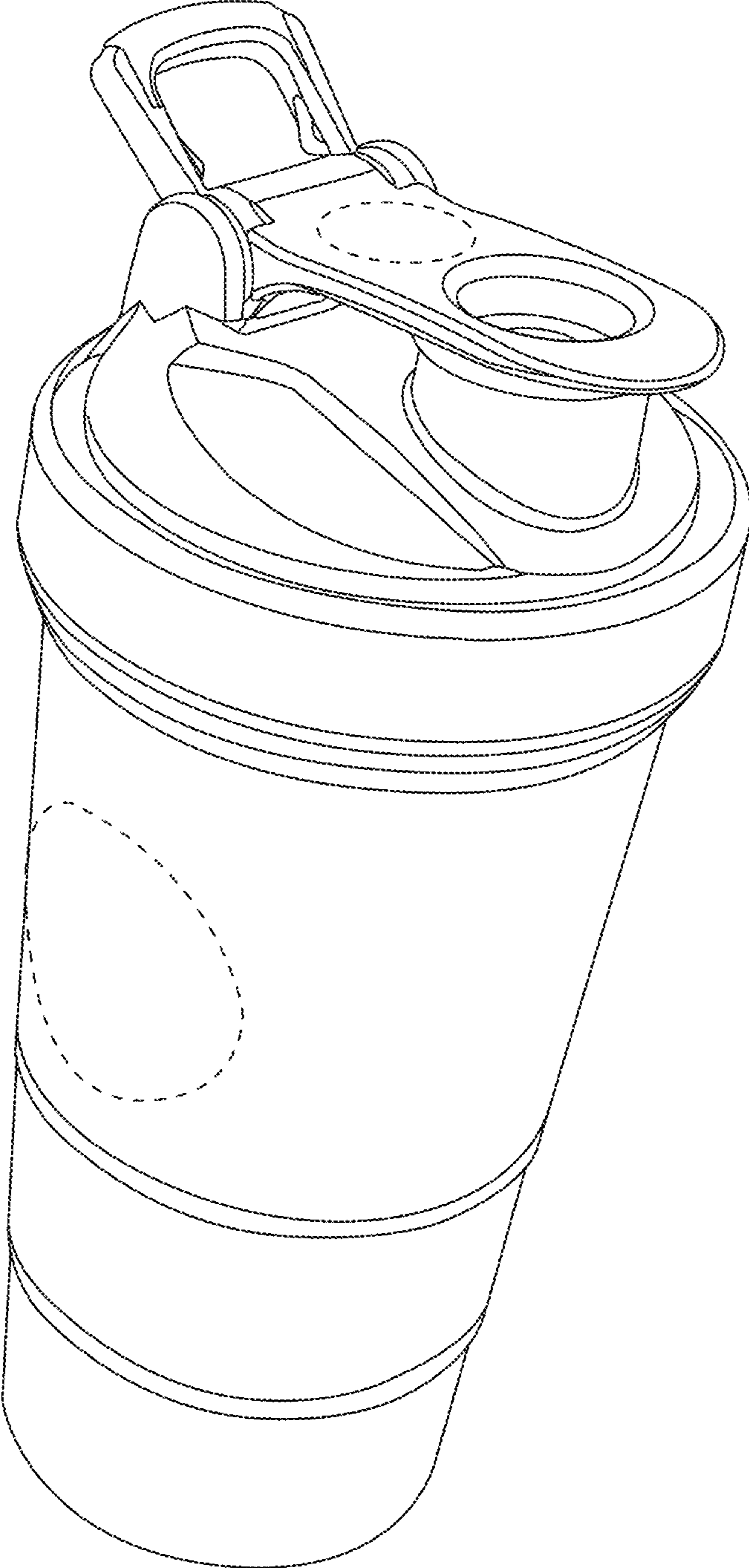


FIG. 1

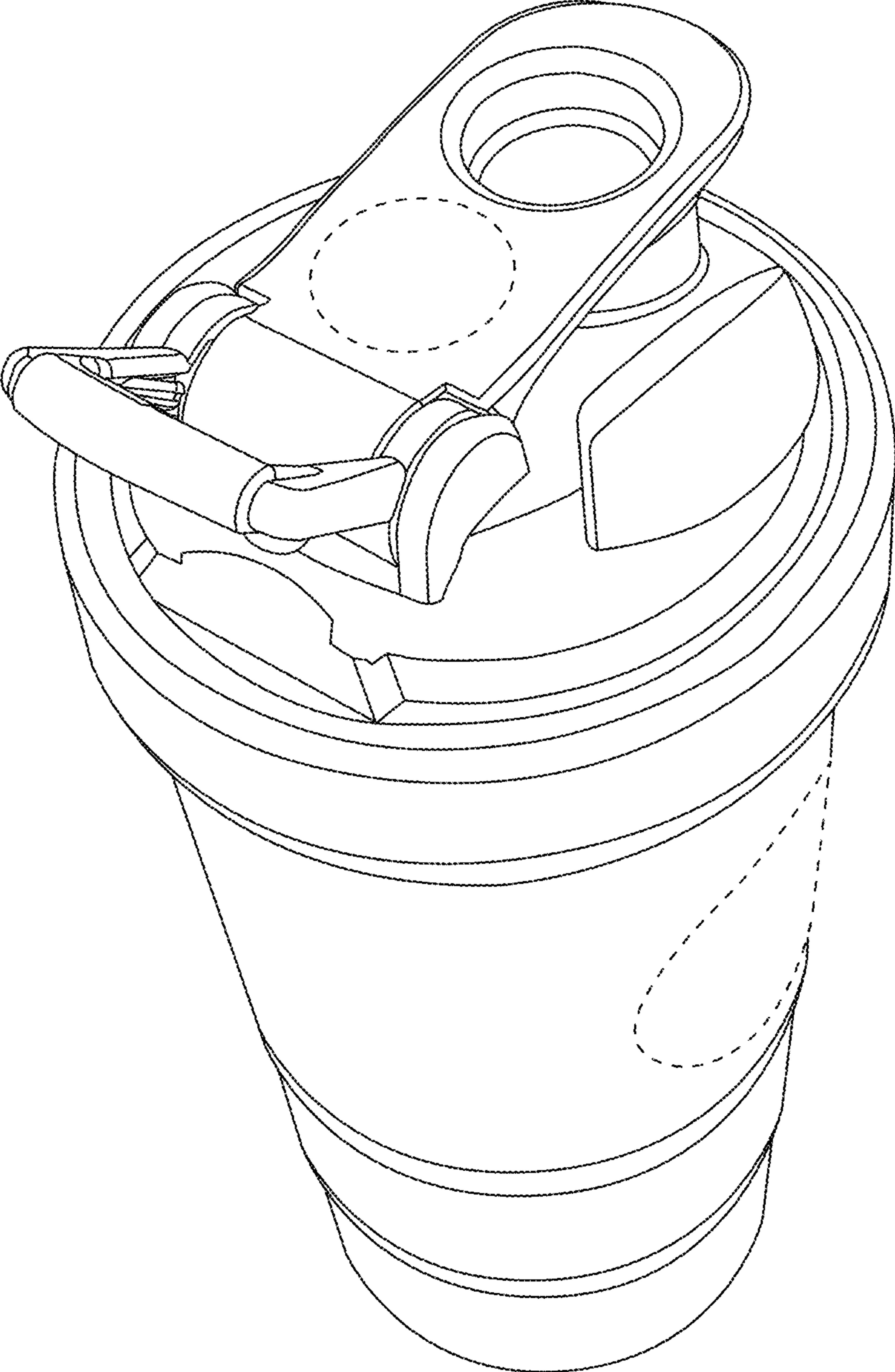


FIG. 2

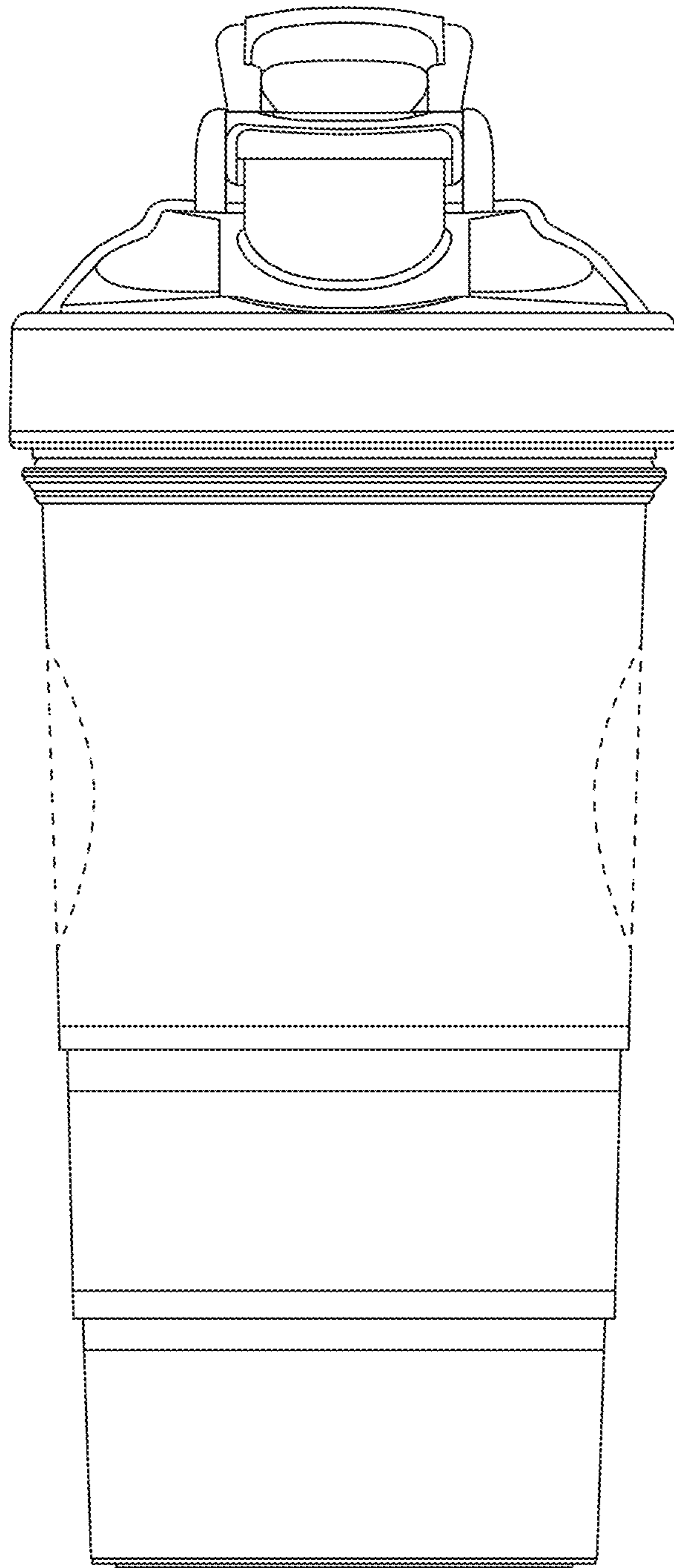


FIG. 3

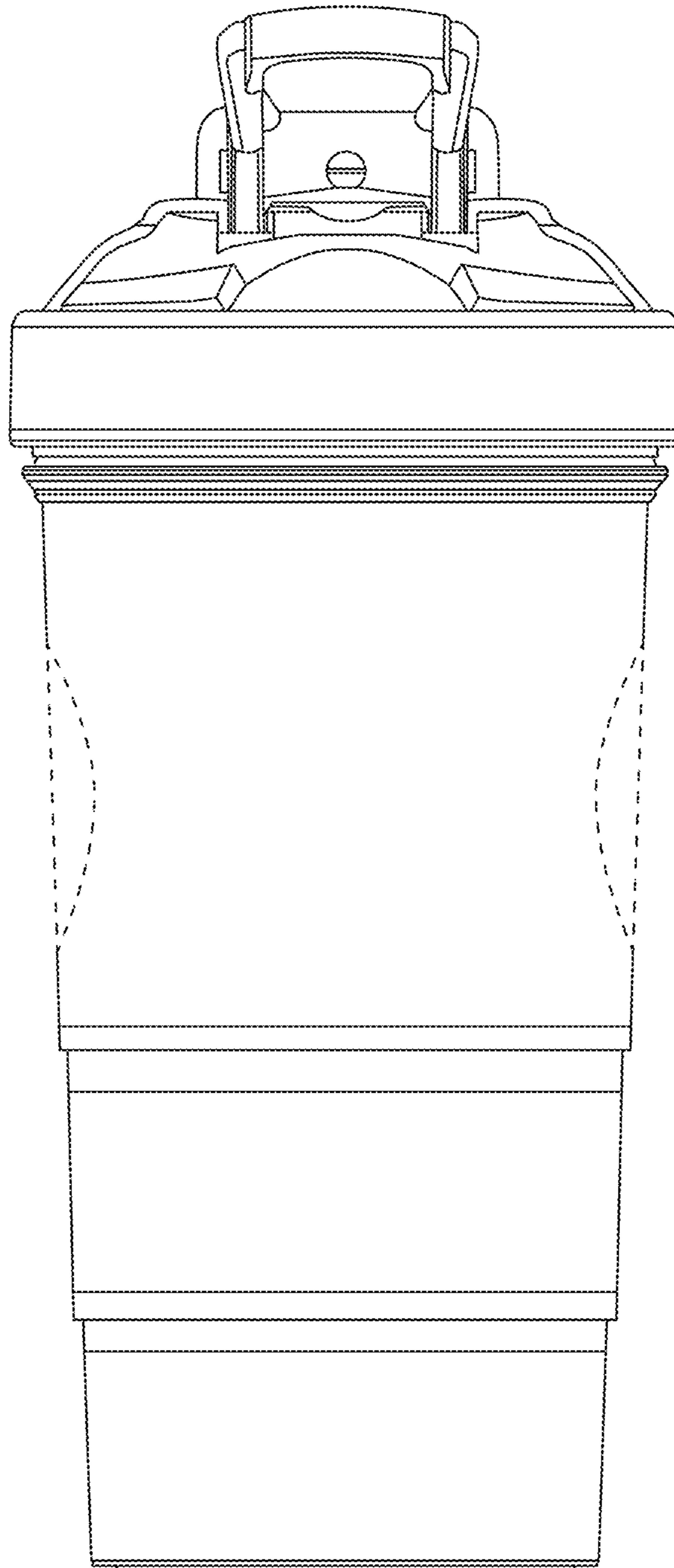


FIG. 4

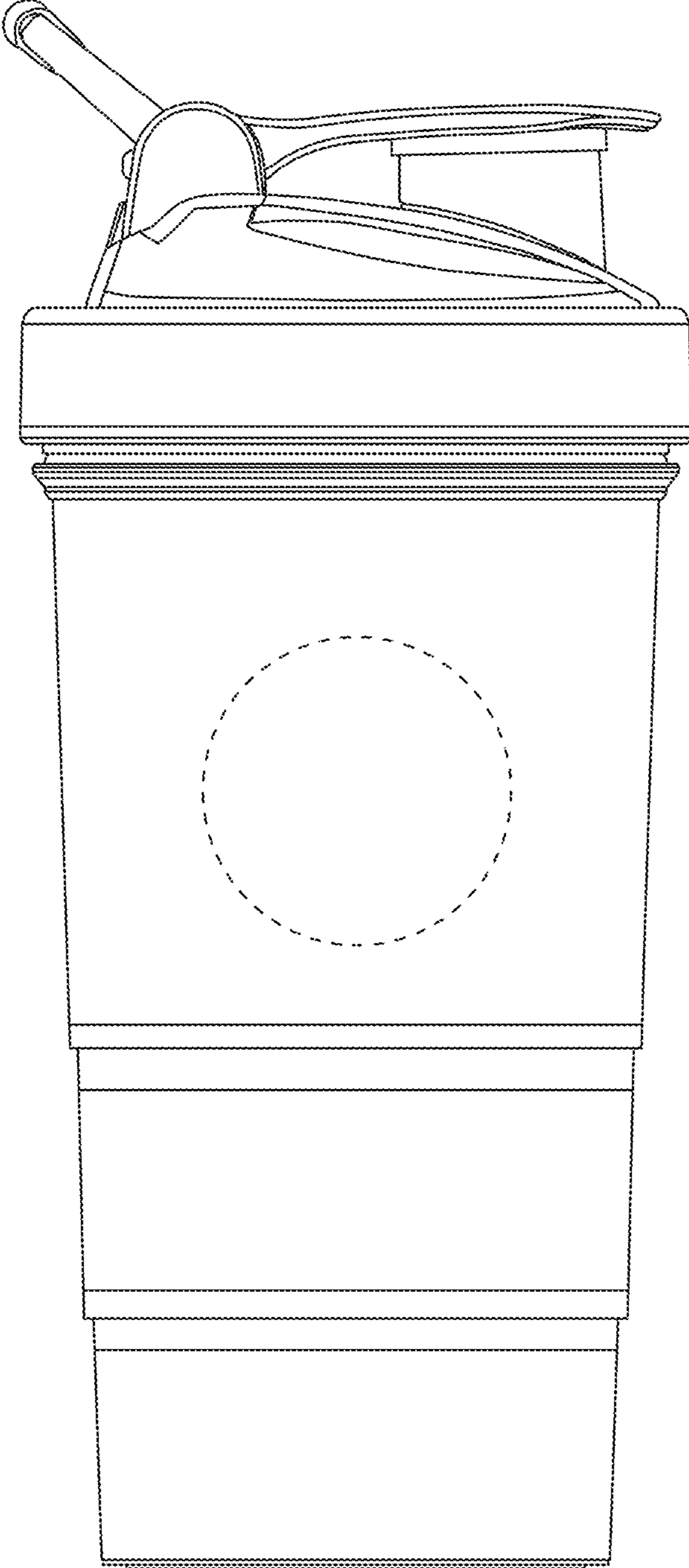


FIG. 5

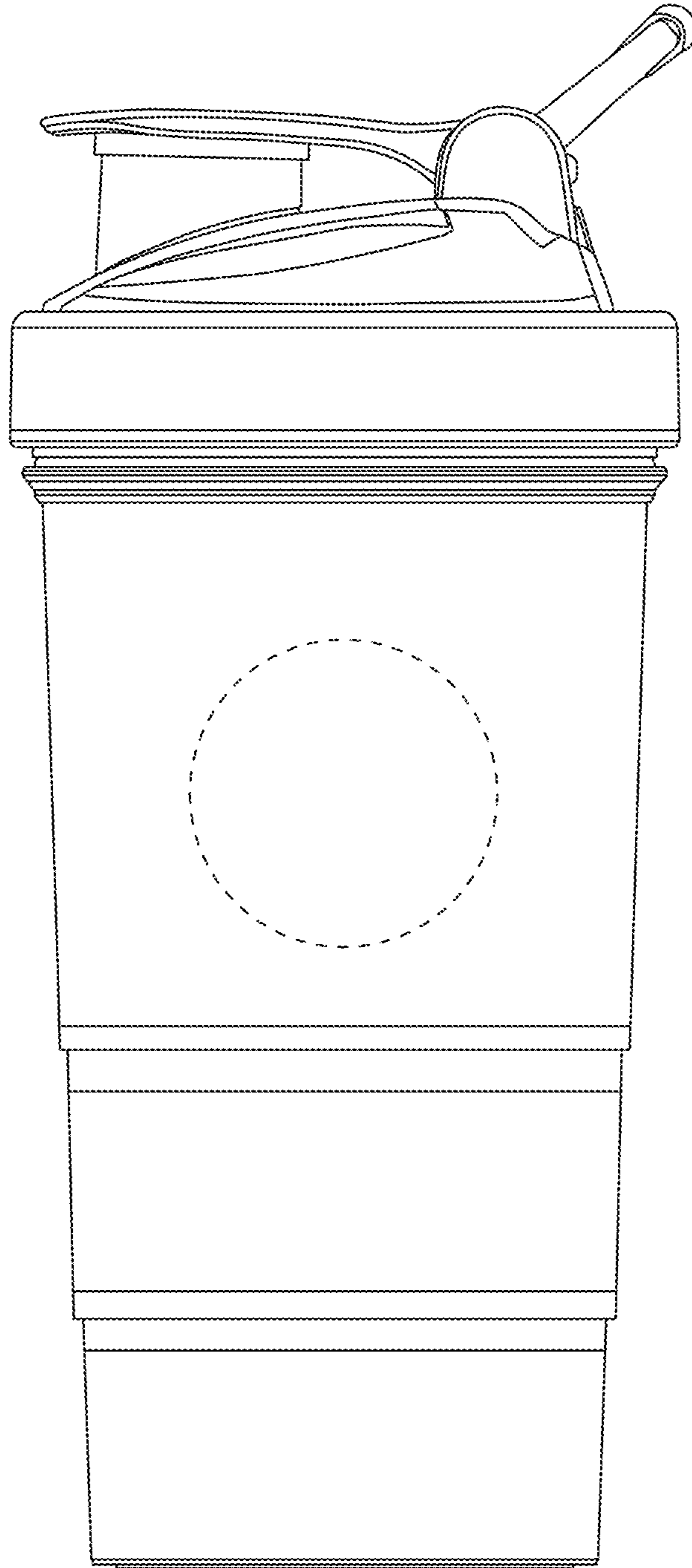


FIG. 6

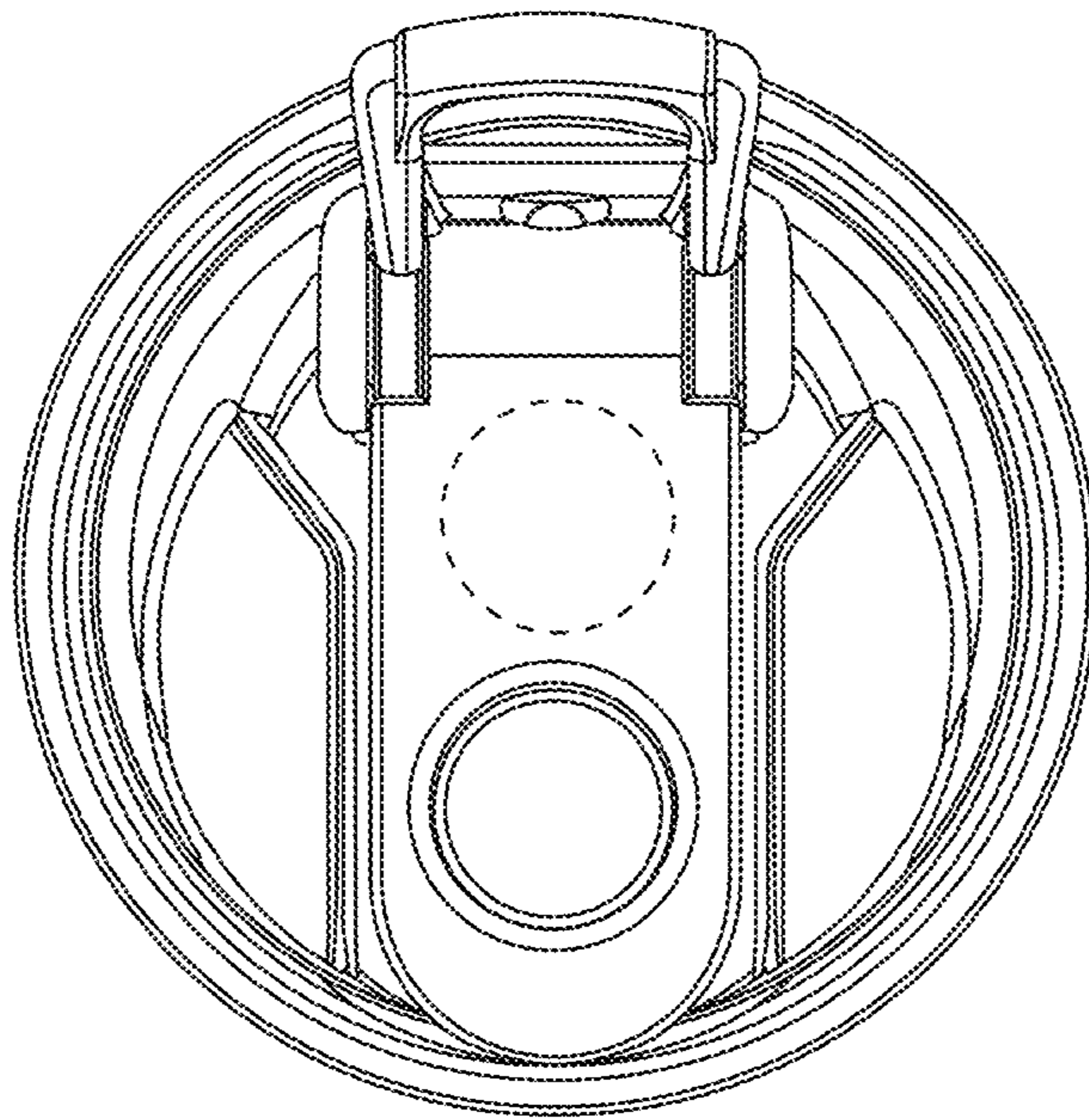


FIG. 7