



US00D833221S

(12) **United States Design Patent** (10) **Patent No.:** **US D833,221 S**
Kolambe et al. (45) **Date of Patent:** **** Nov. 13, 2018**

(54) **CONSOLE FOR AN OVEN**
(71) Applicant: **WHIRLPOOL CORPORATION**,
Benton Harbor, MI (US)
(72) Inventors: **Amol Sopan Kolambe**, Pune (IN);
Prathamesh P. Shinde, Pune (IN)
(73) Assignee: **WHIRLPOOL CORPORATION**,
Benton Harbor, MI (US)

7,789,081 B2 9/2010 Raby et al.
7,829,825 B2 11/2010 Kuhne
D682,602 S * 5/2013 Funnell, II D7/340
(Continued)

FOREIGN PATENT DOCUMENTS

CA 2365023 A1 7/2002

OTHER PUBLICATIONS

Whirlpool—Smart Everything at CES 2018, by Ray Shaw, Gadget Guy [online], published Jan. 2018, [retrieved on Feb. 8, 2018]. Retrieved from the Internet, URL: <http://www.gadgetguy.com.au/whirlpool-smart-everything-ces-2018/>.*

Primary Examiner — Sheryl Lane

Assistant Examiner — Nicole C Shiflet

(74) *Attorney, Agent, or Firm* — Price Heneveld LLP

(**) Term: **15 Years**
(21) Appl. No.: **29/589,433**
(22) Filed: **Dec. 30, 2016**
(51) **LOC (11) Cl.** **07-02**
(52) **U.S. Cl.**
USPC **D7/406**
(58) **Field of Classification Search**
USPC D7/402, 405, 406, 323, 339–340,
D7/346–349, 350.1, 350.2, 350.3, 350.4,
D7/351, 332
CPC .. H05B 1/0261; H05B 1/0263; H05B 1/0266;
F24C 3/008; F24C 5/00; F24C 7/00;
F24C 15/024; F24C 15/02
See application file for complete search history.

(57) **CLAIM**

We claim the ornamental design for a console for an oven, as shown and described.

DESCRIPTION

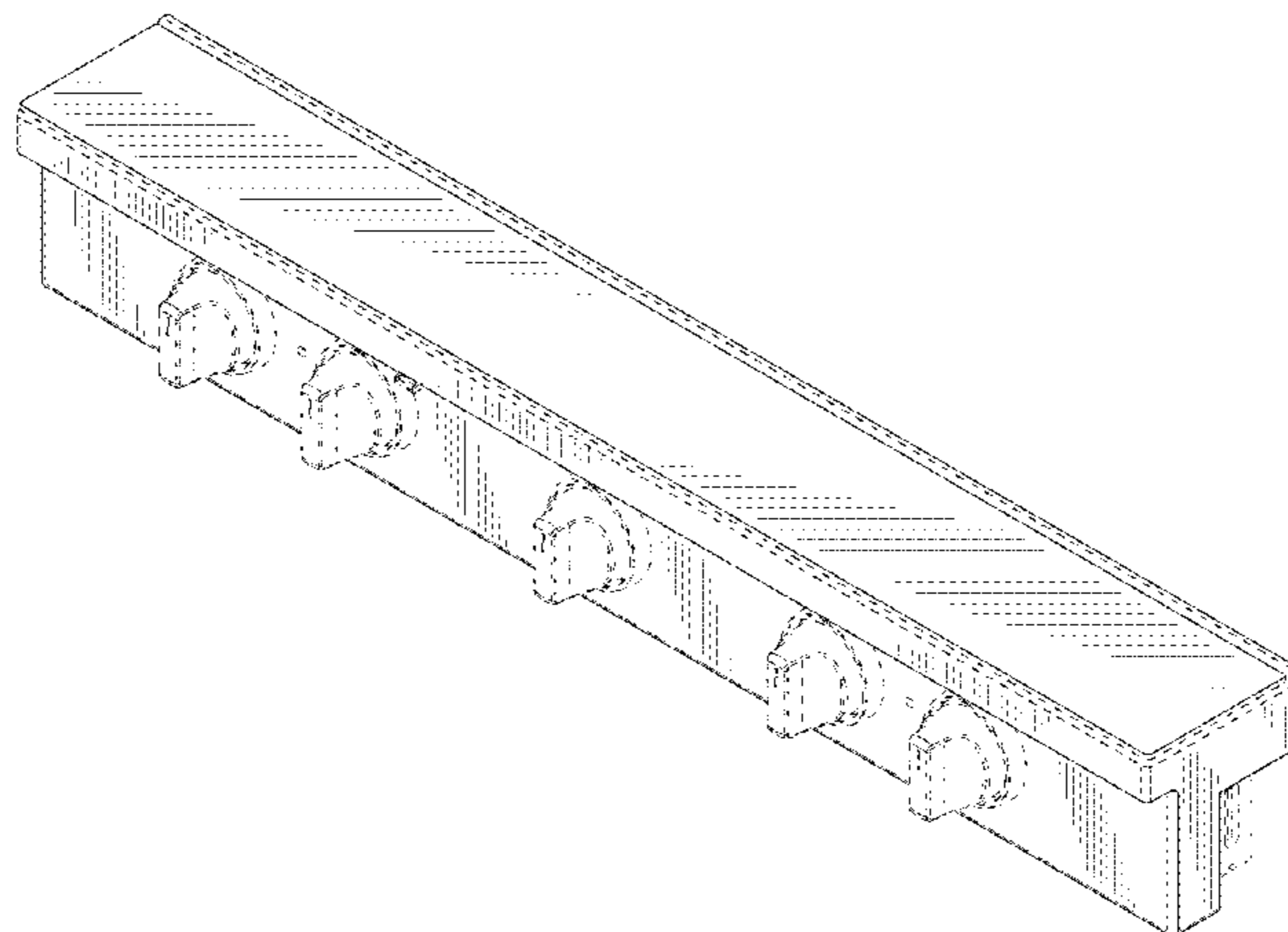
FIG. 1 is a front perspective view of a console for an oven of the present disclosure;
FIG. 2 is a front elevational view of the console for an oven of FIG. 1;
FIG. 3 is a rear elevational view of the console for an oven of FIG. 1;
FIG. 4 is a first side elevational view of the console for an oven of FIG. 1;
FIG. 5 is a second side elevational view of the console for an oven of FIG. 1;
FIG. 6 is a top plan view of the console for an oven of FIG. 1; and,
FIG. 7 is a bottom plan view of the console for an oven of FIG. 1.
The broken lines depict portions of the article that form no part of the claimed design.

(56) **References Cited**

U.S. PATENT DOCUMENTS

2,632,434 A 3/1953 Pearce
2,762,677 A 9/1956 Reeves
2,847,932 A 8/1958 More
2,897,813 A 8/1959 Schindler et al.
3,089,407 A 5/1963 Kinkle
3,233,606 A 2/1966 Robert et al.
3,318,301 A 5/1967 Schibley
3,691,937 A 9/1972 Meek et al.
4,025,299 A 5/1977 Dubois
6,114,665 A 9/2000 Garcia et al.
6,362,458 B1 3/2002 Sargunam et al.
7,368,685 B2 5/2008 Nam et al.
D617,133 S * 6/2010 Grey D7/340

1 Claim, 4 Drawing Sheets



(56)

References Cited

U.S. PATENT DOCUMENTS

D684,422	S *	6/2013	Funnell, II	D7/406
D721,919	S *	2/2015	Funnell, II	D7/406
D764,853	S *	8/2016	Kim	D7/339
D790,916	S *	7/2017	Kim	D7/406
D798,648	S *	10/2017	Chavez	D7/340
D808,707	S *	1/2018	Kim	D7/340
2010/0123374	A1	5/2010	Tsung		
2011/0142998	A1	6/2011	Johncock et al.		
2012/0067334	A1	3/2012	Kim et al.		
2012/0160228	A1	6/2012	Kim et al.		
2016/0327283	A1 *	11/2016	Lee	F24C 3/124
2017/0227235	A1 *	8/2017	Best	F24C 15/10

* cited by examiner

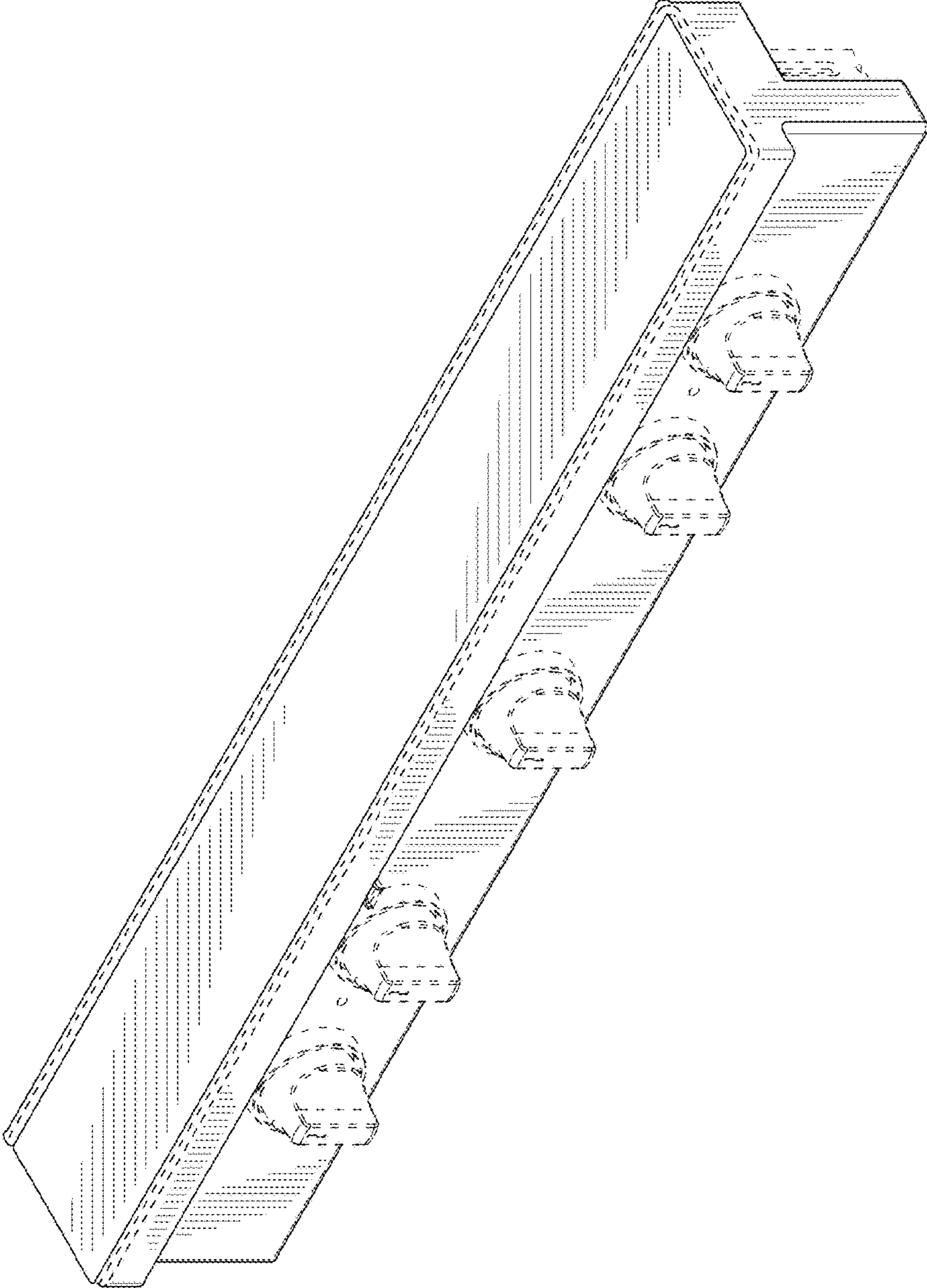


FIG. 1

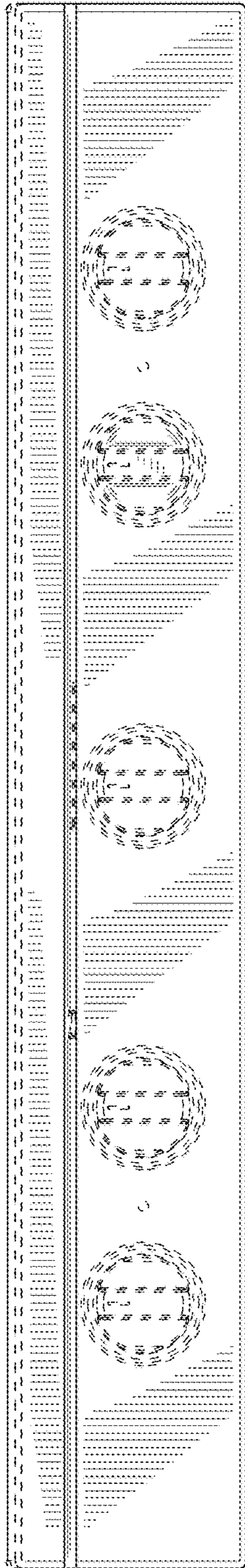


FIG. 2

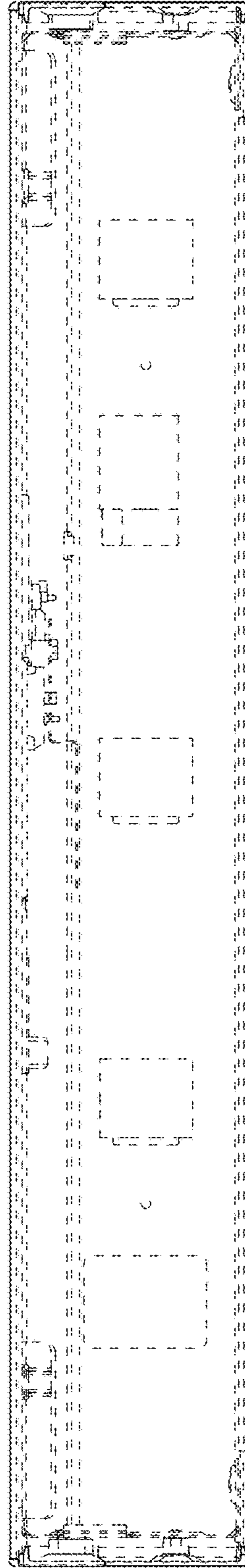


FIG. 3

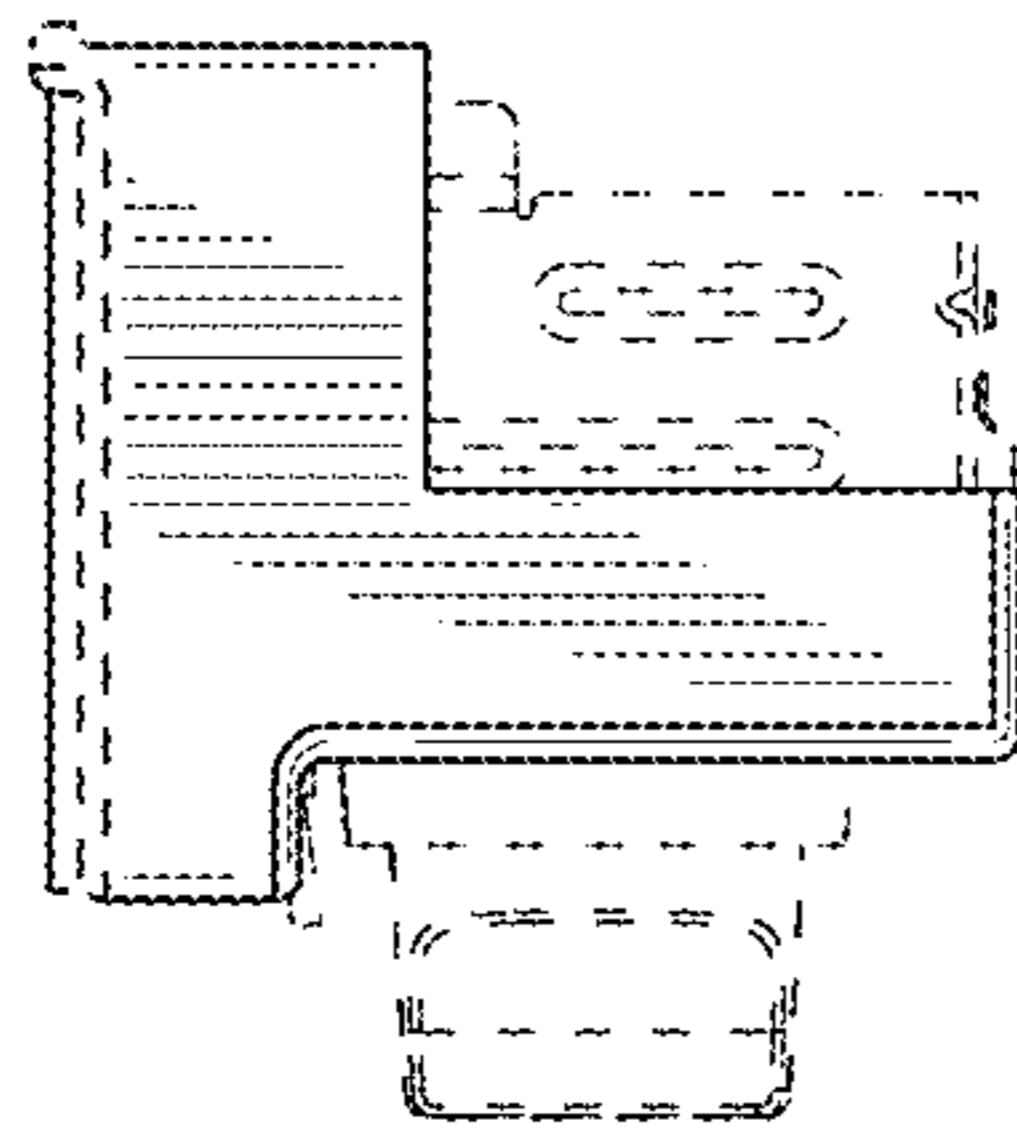
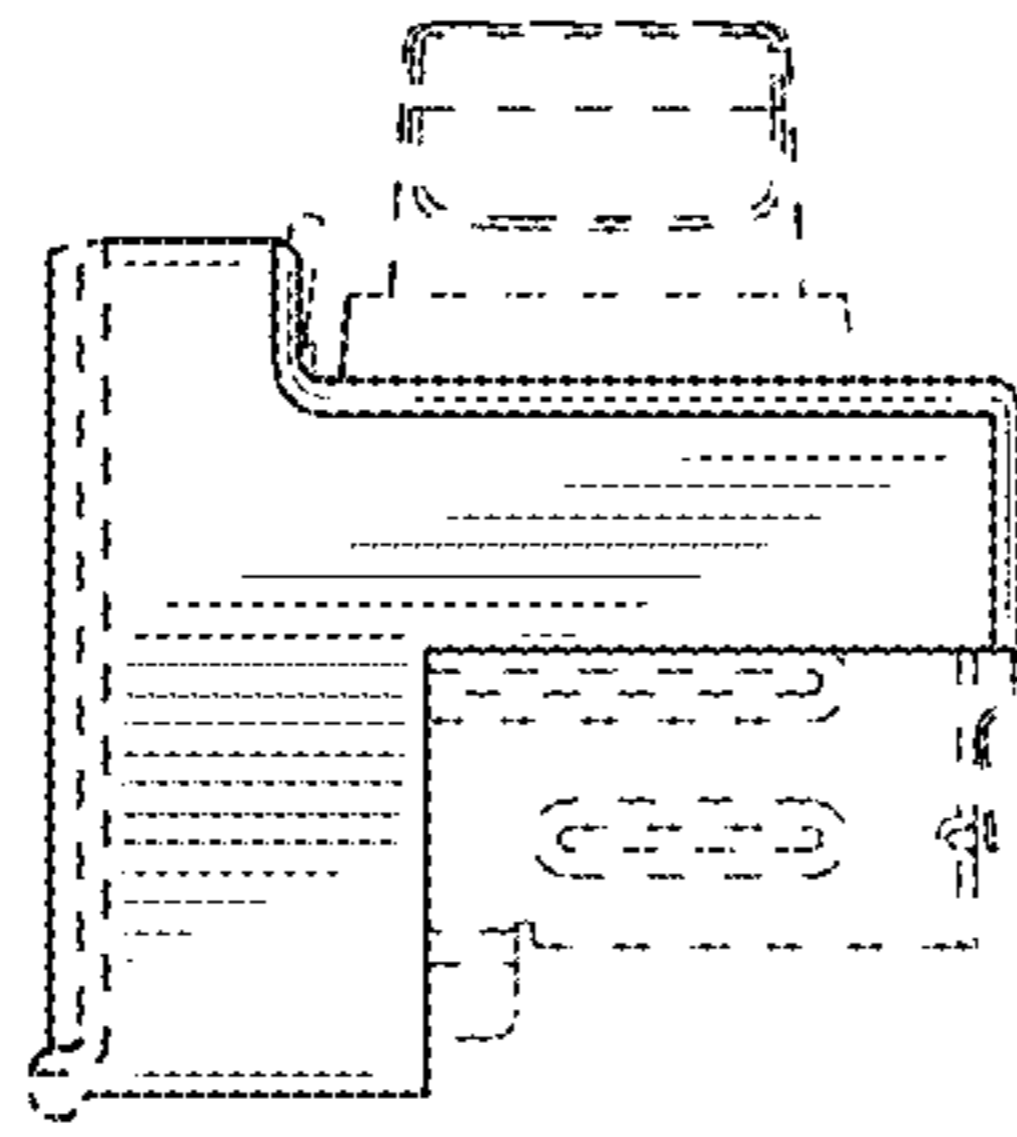


FIG. 4

FIG. 5

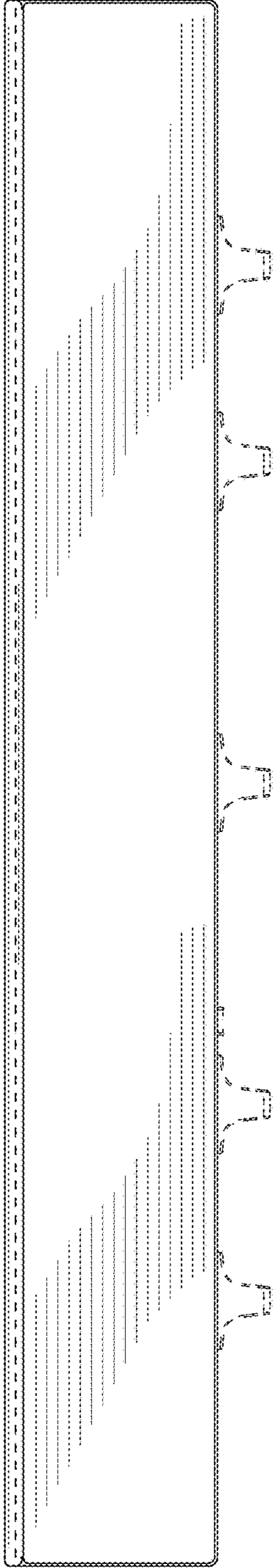


FIG. 6

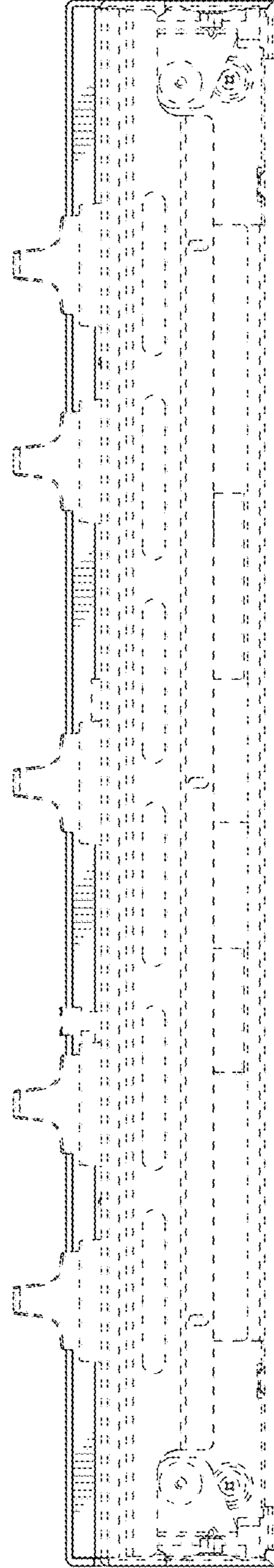


FIG. 7