



US00D833219S

(12) **United States Design Patent** (10) **Patent No.:** **US D833,219 S**
Liu (45) **Date of Patent:** **** Nov. 13, 2018**

(54) **KNIFE HANDLE**
(71) Applicant: **Yunxing Liu**, Irvine, CA (US)
(72) Inventor: **Yunxing Liu**, Irvine, CA (US)
(**) Term: **15 Years**
(21) Appl. No.: **29/591,573**
(22) Filed: **Jan. 20, 2017**
(51) **LOC (11) Cl.** **07-99**
(52) **U.S. Cl.**
USPC **D7/401.2**; D7/649
(58) **Field of Classification Search**
USPC D7/642-654, 662, 664, 666, 669, 672,
D7/673, 676, 681-683, 687, 688,
D7/691-697, 401, 401.1, 401.2, 118, 387,
D7/393, 213, 395; 16/110, 430, 431;
30/136, 142, 143, 144, 145, 146, 147,
30/148, 149, 150, 161, 295, 315, 329,
30/340, 341, 342, 343, 344, 345, 346,
30/347, 348, 353, 354, 355, 356; D8/7,
D8/9, 12, 33, 48, 75, 76, 77, 80, 81, 83,
D8/93-107, 300, 303, 118; D22/118
CPC A47G 21/02; A47G 21/06; A47G 21/08;
A47G 21/04; B26B 11/00; B26B 29/025;
B26B 3/00; B26B 3/02; B26B 3/04;
B26B 1/00; B26B 1/08; B26B 1/10;
B26B 5/007; B26B 7/00; B26B 7/005;
B26B 11/006; B26B 11/001; B26B
11/003; B26B 11/005; B26B 11/008;
B26B 21/04; B26B 21/4006; B26B 9/00;
B26B 9/02; B26B 17/00; B26B 17/006;
B26B 29/02; A01B 1/20; A01B 1/22;
A22C 25/006; A61B 17/3211; A61B
17/3213; B21D 53/64; B25G 3/36
See application file for complete search history.

(56) **References Cited**
U.S. PATENT DOCUMENTS
2,681,505 A * 6/1954 Flanagan B26B 3/06
16/111.1
D307,374 S * 4/1990 Lubcke 30/120.1

D307,375 S * 4/1990 Lubcke 30/120.1
D494,006 S * 8/2004 Zemel D7/395
D554,437 S * 11/2007 Ono D7/649
D554,438 S * 11/2007 Ono D7/649
D559,044 S * 1/2008 Ono D7/649
D559,045 S * 1/2008 Ono D7/649
D637,048 S * 5/2011 Ono D7/649
D674,251 S * 1/2013 Mahaffey D7/642
D675,068 S * 1/2013 Mahaffey D7/642

(Continued)

OTHER PUBLICATIONS

“Zwilling J.A. Henckels J.A. Henckels International Modernist 13-pc Knife Block Set ,” available Mar. 27, 2018, [online], [site visited Mar. 27, 2018]. Available from Internet, URL:<http://www.sears.com/henckels-j-a-henckels-international-modernist-13-pc-knife/p-SPM12356790330> (Year: 2018).*

(Continued)

Primary Examiner — Cathron C Brooks
Assistant Examiner — Katrina N Gonzalez

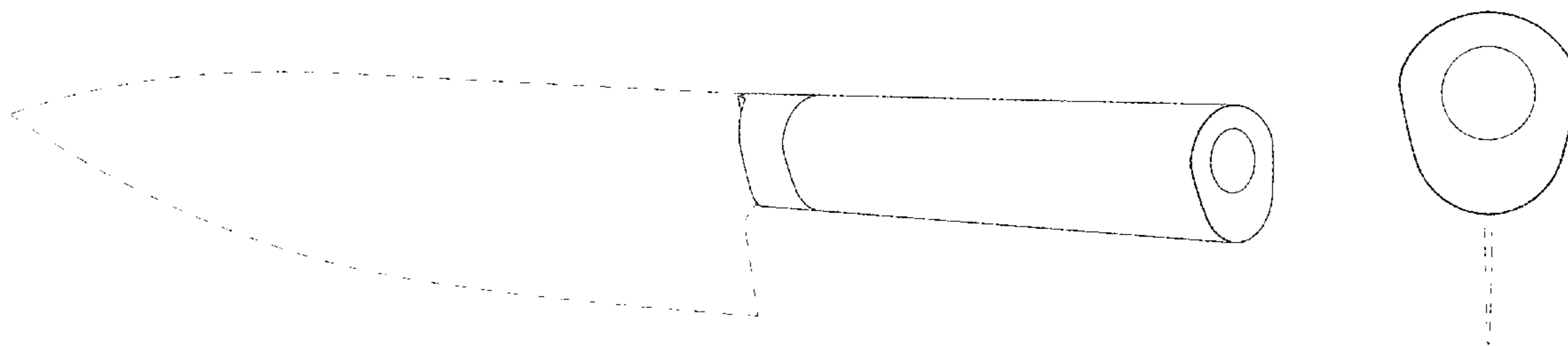
(57) **CLAIM**

The ornamental design for a knife handle, as shown and described.

DESCRIPTION

FIG. 1 is a left side perspective view of the knife handle, the right-side being a mirror image, showing my design.
FIG. 2 is a left-side view of the knife handle thereof, the right-side being a mirror image.
FIG. 3 is a top view thereof.
FIG. 4 is a bottom view thereof.
FIG. 5 is an enlarged rear view thereof; and,
FIG. 6 is an enlarged front view thereof.
The broken lines shown in FIGS. 1 through 6 illustrate environmental structure that form no part of the claimed design.

1 Claim, 3 Drawing Sheets



(56)

References Cited

U.S. PATENT DOCUMENTS

D746,649	S *	1/2016	McConnell	D7/688
D747,160	S *	1/2016	Makela	D7/649
9,446,532	B2 *	9/2016	Nasrallah	B26B 11/00
D773,888	S *	12/2016	Liu	D7/401.2
D791,539	S *	7/2017	Rose	D7/401.2
D809,862	S *	2/2018	Petsche	D7/401.2
D809,863	S *	2/2018	Yamada	D7/401.2
2009/0158600	A1 *	6/2009	Ishai	B25G 1/00 30/314
2010/0325901	A1 *	12/2010	Catalano	B25G 1/102 30/340
2016/0146451	A1 *	5/2016	Hsieh	F21L 4/00 362/119
2017/0136617	A1 *	5/2017	Lucas, Jr.	B25G 1/06

OTHER PUBLICATIONS

“Cangshan J Series 62762 Japan VG-10 Forged Chef Knife With Walnut Sheath, 8-Inch,” available Jan. 2, 2017, [online], [site visited Apr. 6, 2018]. Available from Internet, URL: https://www.amazon.com/Cangshan-62762-Forged-Walnut-Sheath/dp/B01MU6RJVN?ref=ast_p_ei (Year: 2017).*

com/Cangshan-62762-Forged-Walnut-Sheath/dp/B01MU6RJVN?ref=ast_p_ei (Year: 2017).*

“Shun DM0722 Classic Serrated Utility Knife ,” available Jan. 6, 2011, [online], [site visited Mar. 27, 2018]. Available from Internet, URL:<https://www.knifecenter.com/item/KSDM0722/shun-dm0722-classic-serrated-utility-knife-pakkawood-handle> (Year: 2011).*

“Shun DM0754K Classic Perfect Paring Knife 4_VG10 ,” available Mar. 27, 2018, [online], [site visited Mar. 27, 2018]. Available from Internet, URL:<https://www.knifecenter.com/item/KSDM0754K/shundm0754k-classic-perfect-paring-knife-4-vg10-damascus-blade-and-oval-cutting-board> (Year: 2018).*

“Hiroshi Knives (4 Piece Sushi Knife Set),” available Sep. 28, 2015, [online], [site visited Mar. 27, 2018]. Available from Internet, URL:https://www.amazon.com/dp/B015W9FHQA/ref=sspa_dk_detail_6?psc=1&pd_rd_i=B015W9FHQA&pd_rd_wg=Klhxq&pd_rd_r=JFVHS2GGFKZD56R5EWQ4&pd_rd_w=17Lo7 (Year: 2018).*

“Best Japanese Sushi Knife to Make the Most Delicate Sashimi Ever,” available Mar. 24, 2017, [online], [site visited Mar. 27, 2018]. Available from Internet, URL:<https://www.animeimpulse.com/blog/2018/1/23/best-japanese-sushi-knife-to-make-the-most-delicate-sashimi-ever> (Year: 2017).*

* cited by examiner

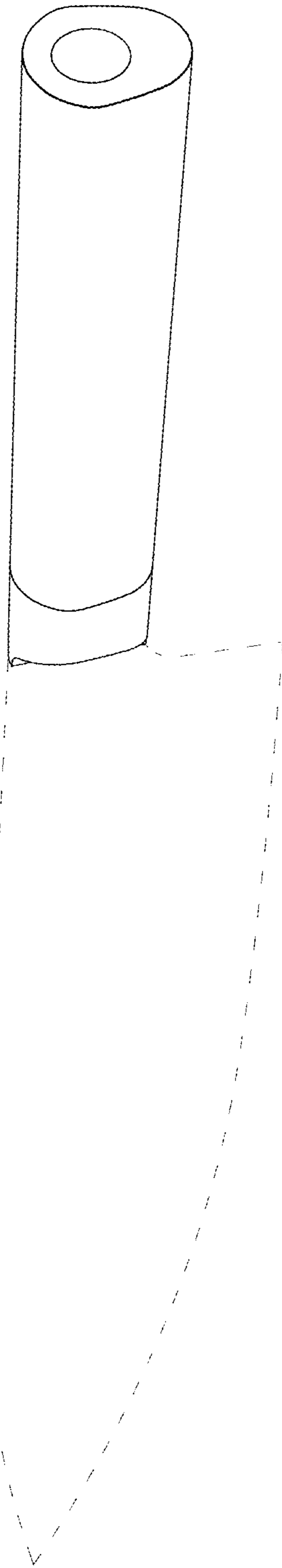


Fig. 1



Fig. 2

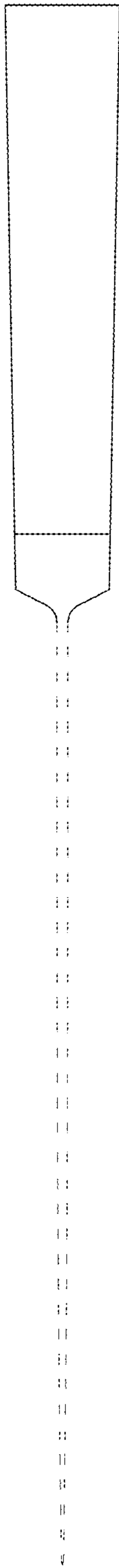


Fig. 3

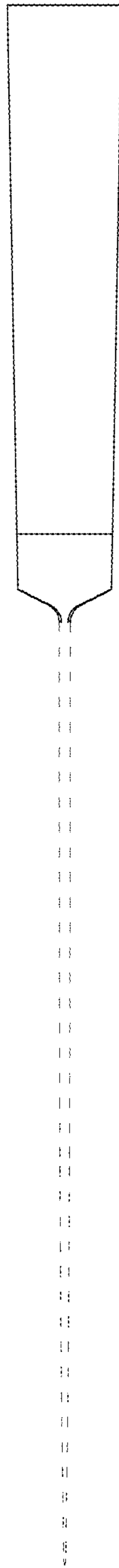


Fig. 4

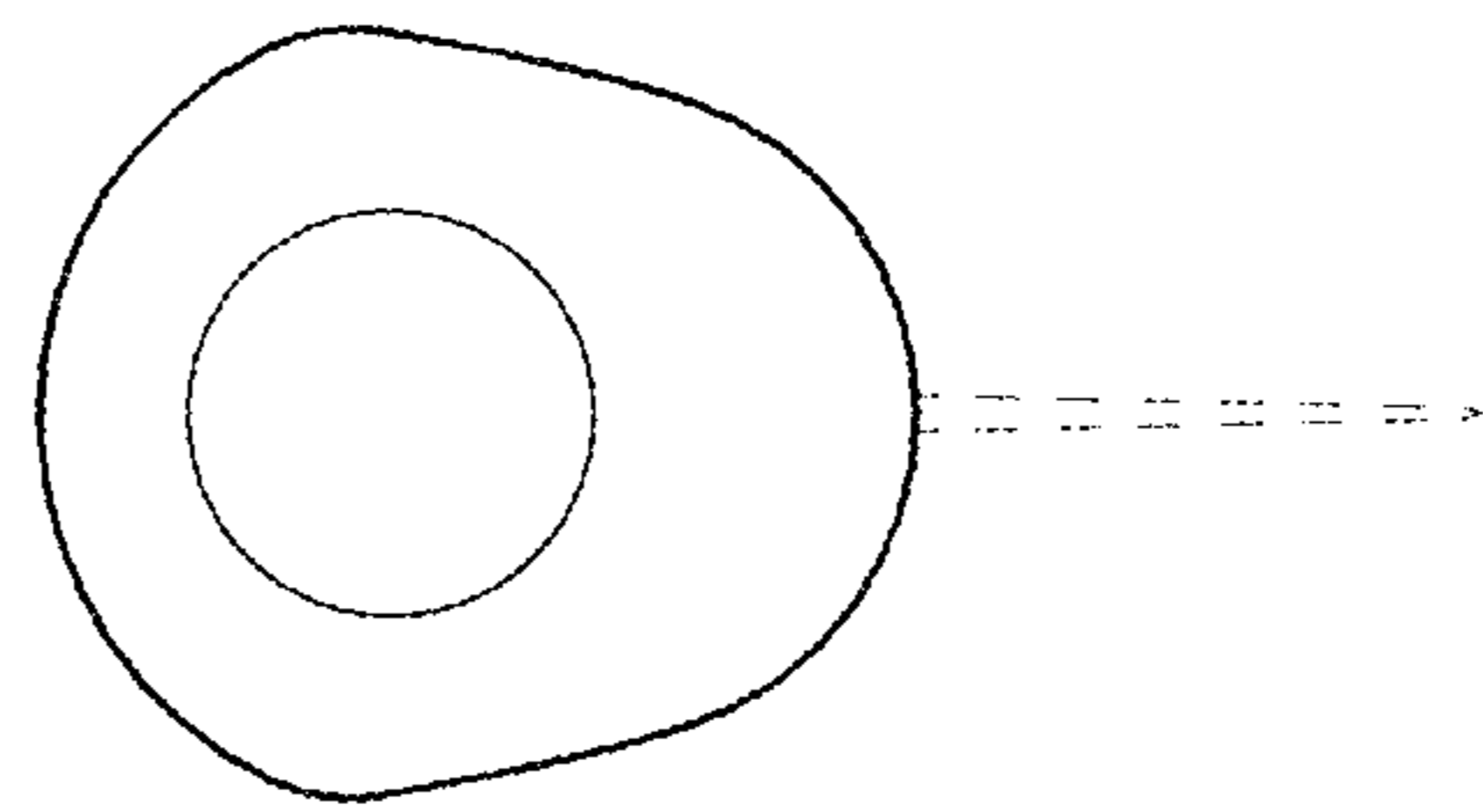


Fig. 5

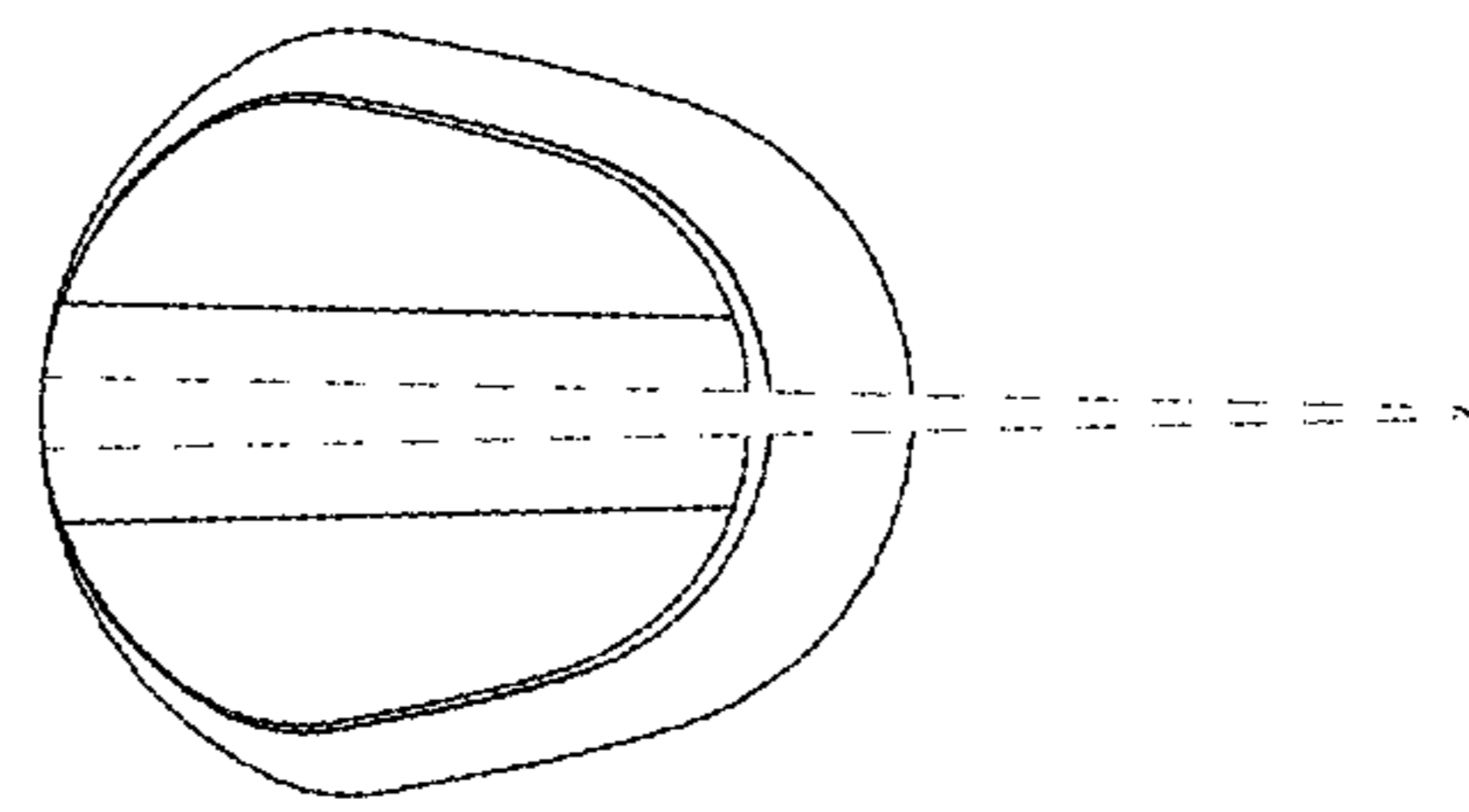


Fig. 6