



US00D833216S

(12) **United States Design Patent**
Zemel

(10) **Patent No.:** **US D833,216 S**

(45) **Date of Patent:** **** Nov. 13, 2018**

- (54) **UTENSIL HANDLE**
- (71) Applicant: **Mr. Bar-B-Q Products LLC**, Melville, NY (US)
- (72) Inventor: **Marc Zemel**, Melville, NY (US)
- (73) Assignee: **MR. BAR-B-Q PRODUCTS LLC**, Melville, NY (US)
- (**) Term: **15 Years**
- (21) Appl. No.: **29/611,478**
- (22) Filed: **Jul. 21, 2017**
- (51) **LOC (11) Cl.** **07-02**
- (52) **U.S. Cl.**
USPC **D7/395; D7/401.2**
- (58) **Field of Classification Search**
USPC D7/682, 683, 688, 689, 690, 691, D7/393-395, 401.2; D8/107, 300, 307; D4/138, 129; 16/421, 430, 431, 110.1, 16/407; 220/573.1-573.5, 752, 753, 755, 220/756, 759, 767, 771, 912
CPC A47J 45/06; A47J 45/061; A47J 45/62; A47J 45/08; A47J 45/085; A47J 45/071; A47J 45/072; B65D 25/2802; B65D 25/2882; B65D 25/2885; B65D 25/2888; B65D 25/2894; Y10S 220/912
See application file for complete search history.

D431,960 S	10/2000	Hay	
D442,026 S	5/2001	Rae	
D445,654 S	7/2001	Yu	
D448,973 S	10/2001	Hay et al.	
D456,207 S	4/2002	Zemel	
D456,615 S	5/2002	Zemel	
D456,667 S	5/2002	Veltri et al.	
D463,952 S	10/2002	Zemel	
D465,336 S	11/2002	Zemel	
D474,644 S	5/2003	Zemel	
D476,525 S	7/2003	Zemel	
D481,906 S	11/2003	Knor	
D482,566 S	11/2003	Zemel	
D482,569 S	11/2003	Zemel	
D491,413 S	6/2004	Rosenthal	
D492,543 S	7/2004	Munari	
D494,006 S	8/2004	Zemel	
D494,807 S	8/2004	Zemel	
D495,555 S *	9/2004	Wilcox D7/401.2

(Continued)

Primary Examiner — Cynthia M. Chin
(74) *Attorney, Agent, or Firm* — Carter, DeLuca, Farrell & Schmidt, LLP

(57) **CLAIM**

The ornamental design for a utensil handle, as shown and described.

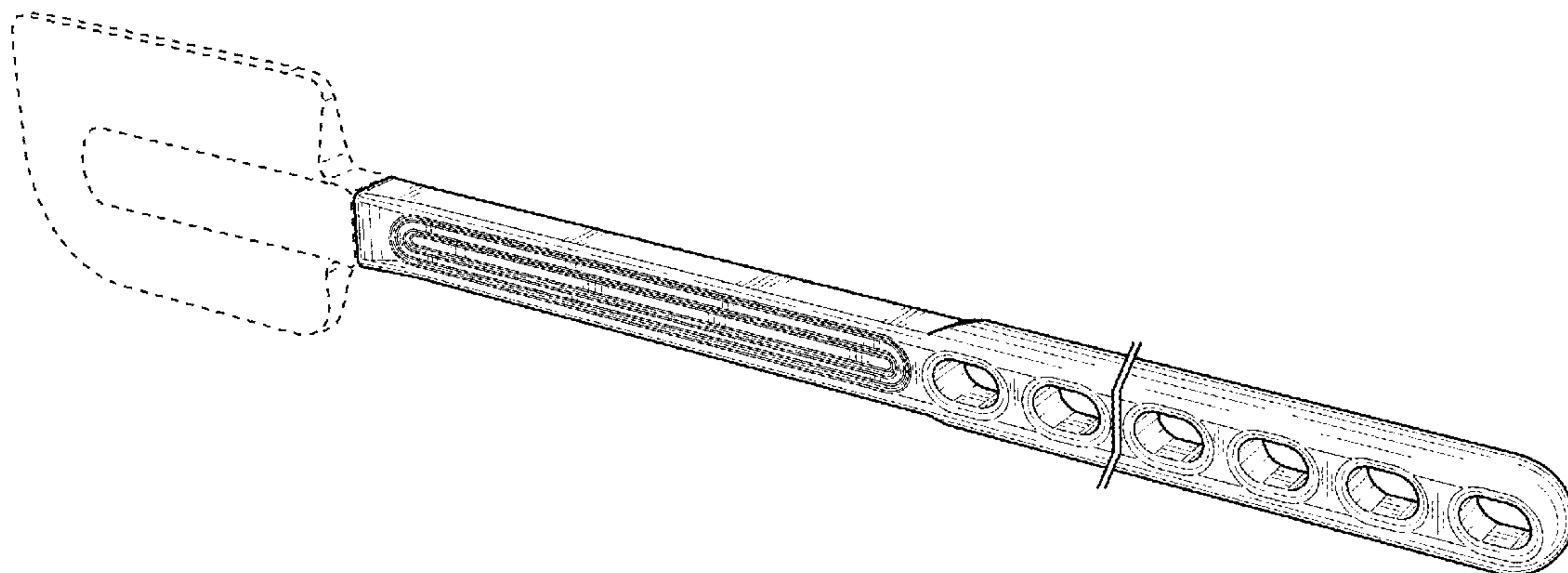
DESCRIPTION

FIG. 1 is a perspective view of a utensil handle in accordance with the present design;
FIG. 2 is a right side elevational view thereof;
FIG. 3 is a left side elevational view thereof;
FIG. 4 is a rear elevational view thereof;
FIG. 5 is a front elevational view thereof;
FIG. 6 is a top plan view thereof; and,
FIG. 7 is a bottom plan view thereof.
The broken away symbols in the drawings indicate the appearance of any portion of the article between the break lines forms no part of the claimed design.

1 Claim, 4 Drawing Sheets

(56) **References Cited**
U.S. PATENT DOCUMENTS

D146,729 S	4/1947	Storm	
D311,120 S *	10/1990	Cautereels D7/688
D363,861 S *	11/1995	Slater D7/688
D411,411 S *	6/1999	Pedrini D7/395
D417,121 S	11/1999	Brunianyn	
D427,025 S	6/2000	Lee	
D427,858 S	7/2000	Zemel	
D431,753 S	10/2000	Cohen et al.	



(56)

References Cited

U.S. PATENT DOCUMENTS

D496,558 S 9/2004 Zemel
 D503,071 S 3/2005 Lu
 D528,857 S 9/2006 Zemel
 D529,333 S 10/2006 Zemel
 D529,335 S 10/2006 Zemel
 D531,853 S 11/2006 Zemel
 D533,397 S 12/2006 Zemel
 D534,001 S 12/2006 Zemel
 D535,147 S 1/2007 Zemel
 D535,519 S 1/2007 Zemel
 D544,750 S 6/2007 Zemel
 D545,120 S 6/2007 Zemel
 D545,121 S 6/2007 Zemel
 D550,504 S 9/2007 Zemel
 D562,062 S 2/2008 Zemel
 D562,064 S 2/2008 Zemel
 D563,675 S 3/2008 Zemel
 D564,292 S 3/2008 Zemel
 D564,293 S * 3/2008 Wasserman D7/395
 D566,460 S 4/2008 Zemel
 D569,174 S 5/2008 Zemel
 D572,079 S 7/2008 Zemel
 D572,080 S 7/2008 Zemel
 D574,184 S 8/2008 Zemel

D578,826 S 10/2008 Lu
 D579,269 S 10/2008 Zemel
 D579,668 S 11/2008 Zemel
 D580,659 S 11/2008 Zemel
 D588,365 S * 3/2009 Conway D4/138
 D588,868 S 3/2009 Zemel
 D618,499 S 6/2010 Zemel
 D622,542 S 8/2010 Zemel
 D629,249 S * 12/2010 Snyker D7/395
 D629,650 S 12/2010 Funka, Jr. et al.
 D631,289 S 1/2011 Tuli
 D658,433 S 5/2012 Zemel
 D658,937 S 5/2012 Zemel
 D660,141 S 5/2012 Zemel
 D663,159 S 7/2012 Zemel
 D690,153 S 9/2013 Zemel
 D700,022 S * 2/2014 Stanford D7/401.2
 D700,811 S * 3/2014 Lin D7/401.2
 D702,996 S 4/2014 Zemel et al.
 D706,589 S * 6/2014 Seo D7/693
 D737,626 S 9/2015 Lu
 D773,242 S 12/2016 Zemel et al.
 D787,899 S * 5/2017 Lannan D7/688
 D805,347 S * 12/2017 Hundley D7/395
 2006/0213033 A1 * 9/2006 Wasserman A47J 45/061
 16/421

* cited by examiner

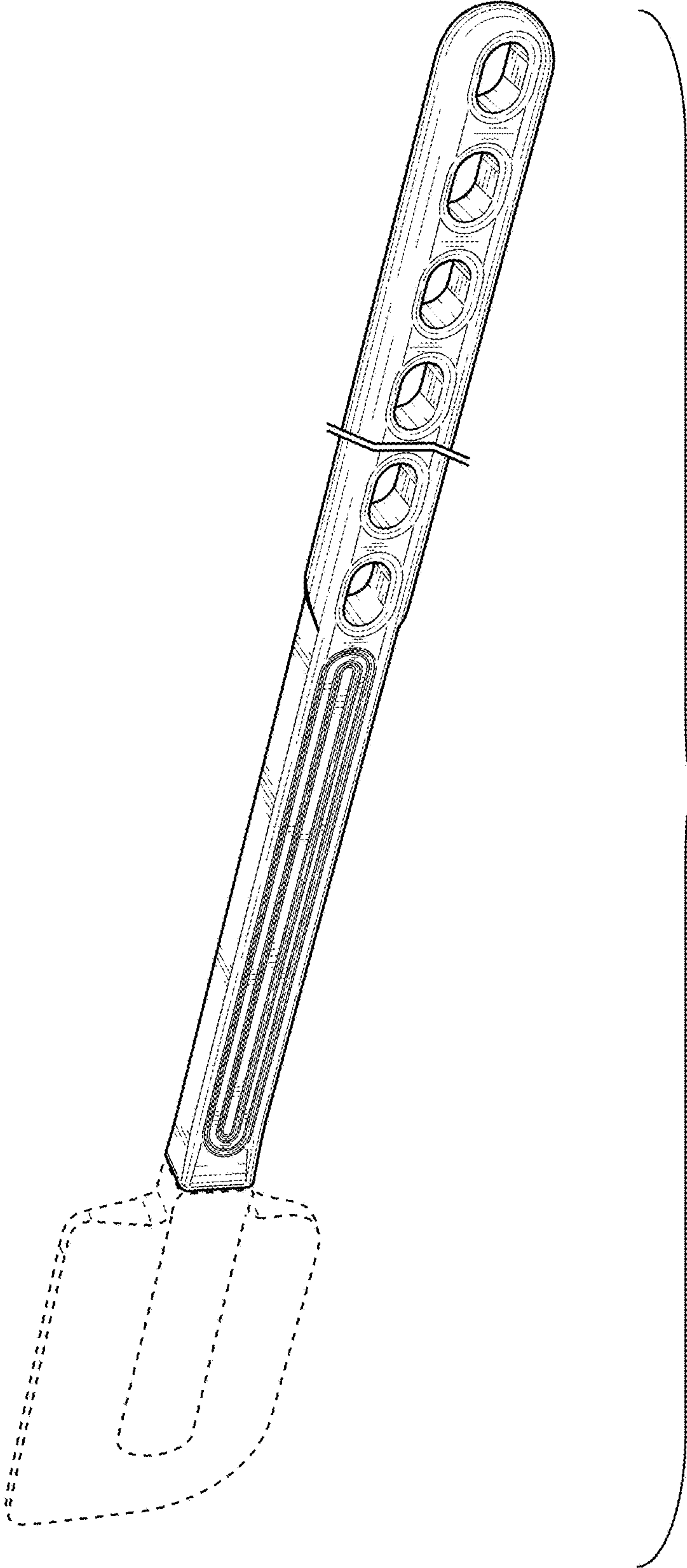


FIG. 1

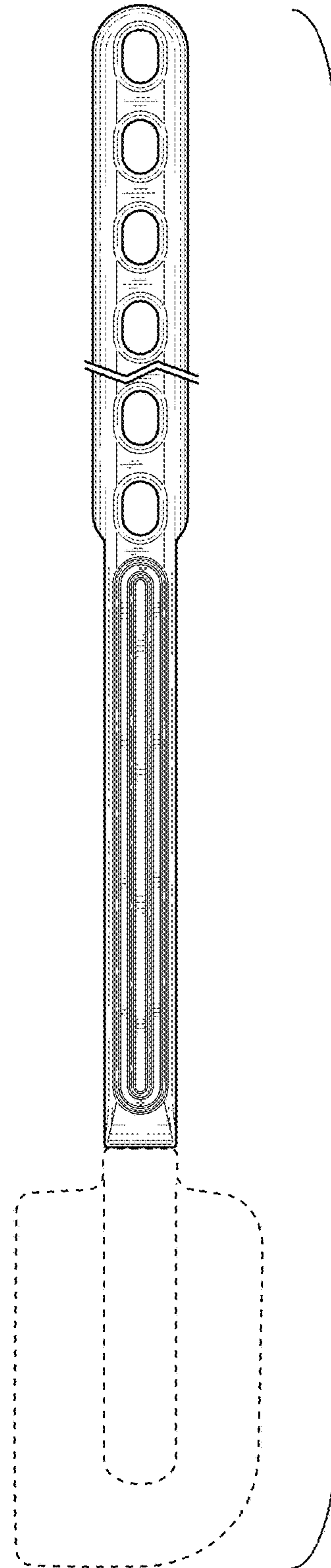
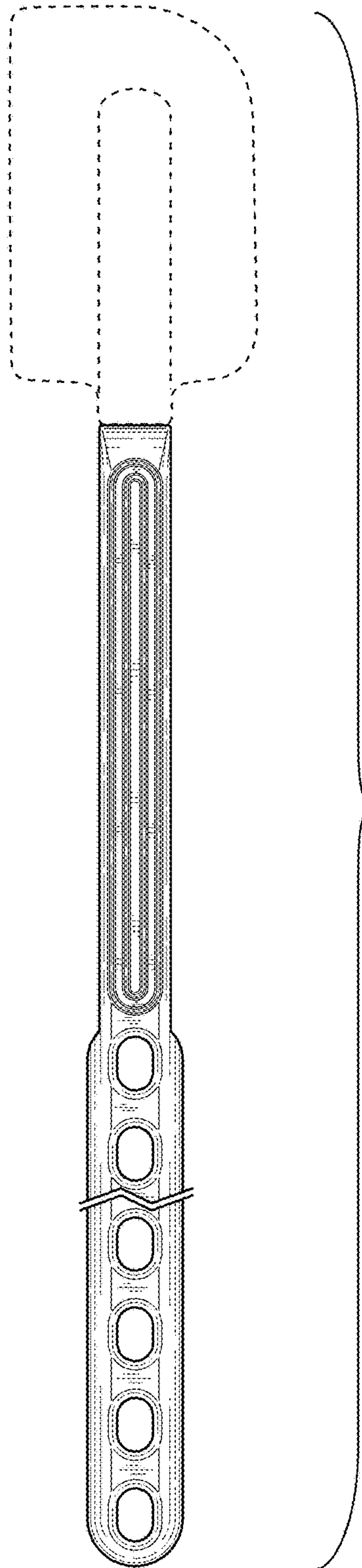




FIG. 5

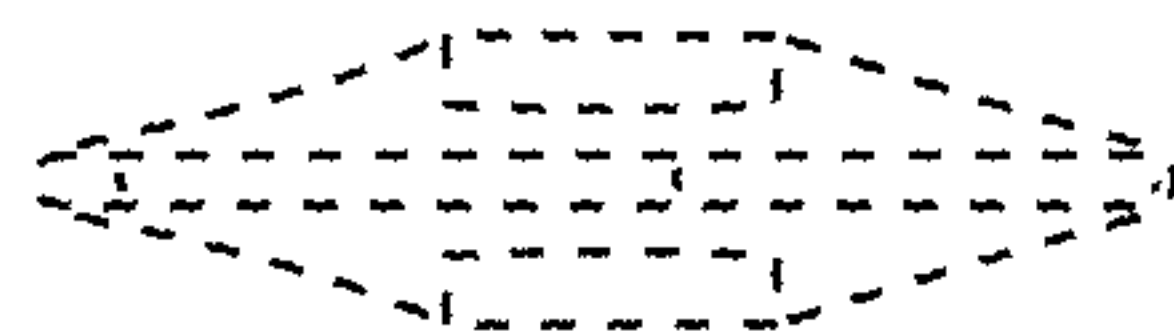


FIG. 4

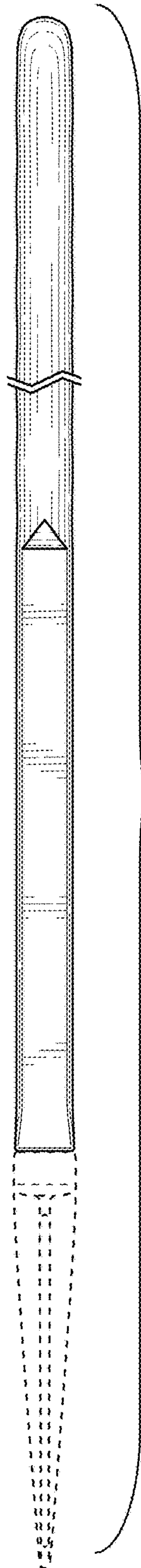


FIG. 6

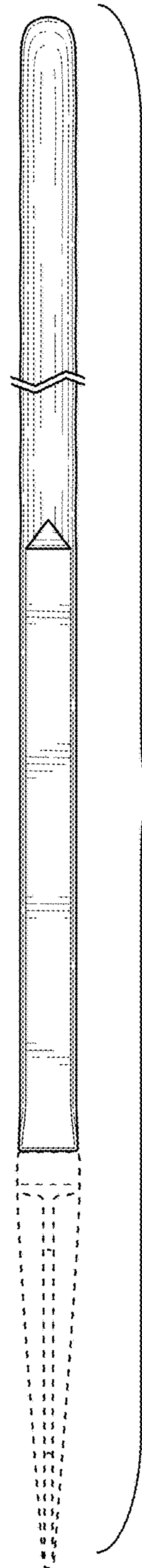


FIG. 7