



US00D833214S

(12) **United States Design Patent**
Gonzalez et al.

(10) **Patent No.:** **US D833,214 S**

(45) **Date of Patent:** **** *Nov. 13, 2018**

(54) **HANDLE FOR KITCHEN UTENSIL**

(71) Applicant: **All-Clad Metalcrafters LLC**,
Canonsburg, PA (US)

(72) Inventors: **Carlos Gonzalez**, Sunnyside, NY (US);
Mauricio Issa, Rego Park, NY (US);
Marisol Rodriguez, Brooklyn, NY
(US); **Anthony J. Baxter**, Upper
Montclair, NJ (US)

(73) Assignee: **All-Clad Metalcrafters LLC**,
Canonsburg, PA (US)

(*) Notice: This patent is subject to a terminal dis-
claimer.

(**) Term: **15 Years**

(21) Appl. No.: **29/587,764**

(22) Filed: **Dec. 15, 2016**

(51) **LOC (11) Cl.** **07-02**

(52) **U.S. Cl.**
USPC **D7/395; D7/401.2**

(58) **Field of Classification Search**
USPC D7/682, 683, 688, 689, 690, 691,
D7/393-395, 401.2; D8/107, 300, 307;
D4/138, 129; 16/421, 430, 431, 110.1,
16/407; 220/573.1-573.5, 752, 753, 755,
220/756, 759, 767, 771, 912
CPC A47J 45/06; A47J 45/061; A47J 45/62;
A47J 45/08; A47J 45/085; A47J 45/071;
A47J 45/072; B65D 25/2802; B65D
25/2882; B65D 25/2885; B65D 25/2888;
B65D 25/2894; Y10S 220/912
See application file for complete search history.

(56) **References Cited**

U.S. PATENT DOCUMENTS

D211,656 S * 7/1968 Uldall D7/688
4,563,816 A * 1/1986 Jagger A47G 21/04
30/324

D365,966 S * 1/1996 Ancona D7/401.2
D367,406 S * 2/1996 Ancona D7/691
D408,217 S * 4/1999 LoGiudice D7/401.2
D409,880 S * 5/1999 Bergkvist D7/653
D413,770 S * 9/1999 Joergensen D7/653
D427,848 S * 7/2000 Gasparino D7/401.2
D429,123 S * 8/2000 Liu D7/653
D473,762 S * 4/2003 Kerr D7/688
D492,549 S * 7/2004 Welch D7/645
D493,337 S * 7/2004 Welch D7/653
D511,645 S * 11/2005 Fort D7/395
D551,032 S * 9/2007 Lion D7/653
D594,713 S * 6/2009 Junko D7/653
D597,385 S * 8/2009 Coppo D7/653
D614,913 S * 5/2010 Ito D7/401.2
D615,367 S * 5/2010 Sierra D7/653
D615,368 S * 5/2010 Sierra D7/653
D621,229 S * 8/2010 De Bretton Gordon D7/642

(Continued)

Primary Examiner — Cynthia M. Chin

(74) *Attorney, Agent, or Firm* — The Webb Law Firm

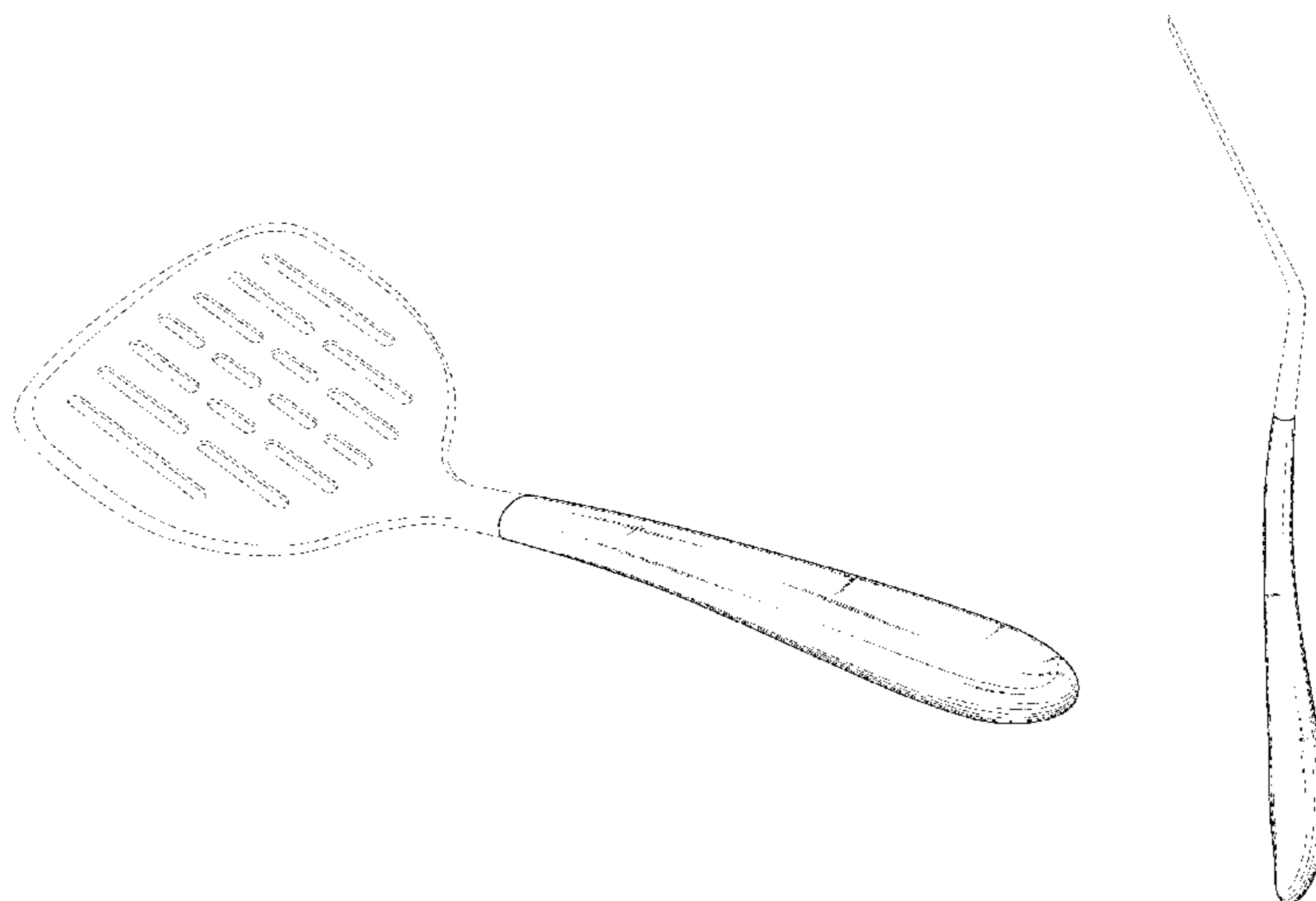
(57) **CLAIM**

The ornamental design for a handle for kitchen utensil, as shown and described.

DESCRIPTION

FIG. 1 is an upper perspective view of a handle for kitchen utensil showing our new design;
FIG. 2 is a top view thereof;
FIG. 3 is a bottom view thereof;
FIG. 4 is a left side elevation view thereof;
FIG. 5 is a right side elevation view thereof;
FIG. 6 is a rear elevation view thereof; and,
FIG. 7 is a front elevation view thereof.
The broken line showings in FIGS. 1-7 are for the purpose of illustrating environmental structure and form no part of the claimed design.

1 Claim, 4 Drawing Sheets



(56)

References Cited

U.S. PATENT DOCUMENTS

D621,653 S * 8/2010 Mandel D7/401.2
D647,363 S * 10/2011 Shane-Schuldt D7/401.2

* cited by examiner

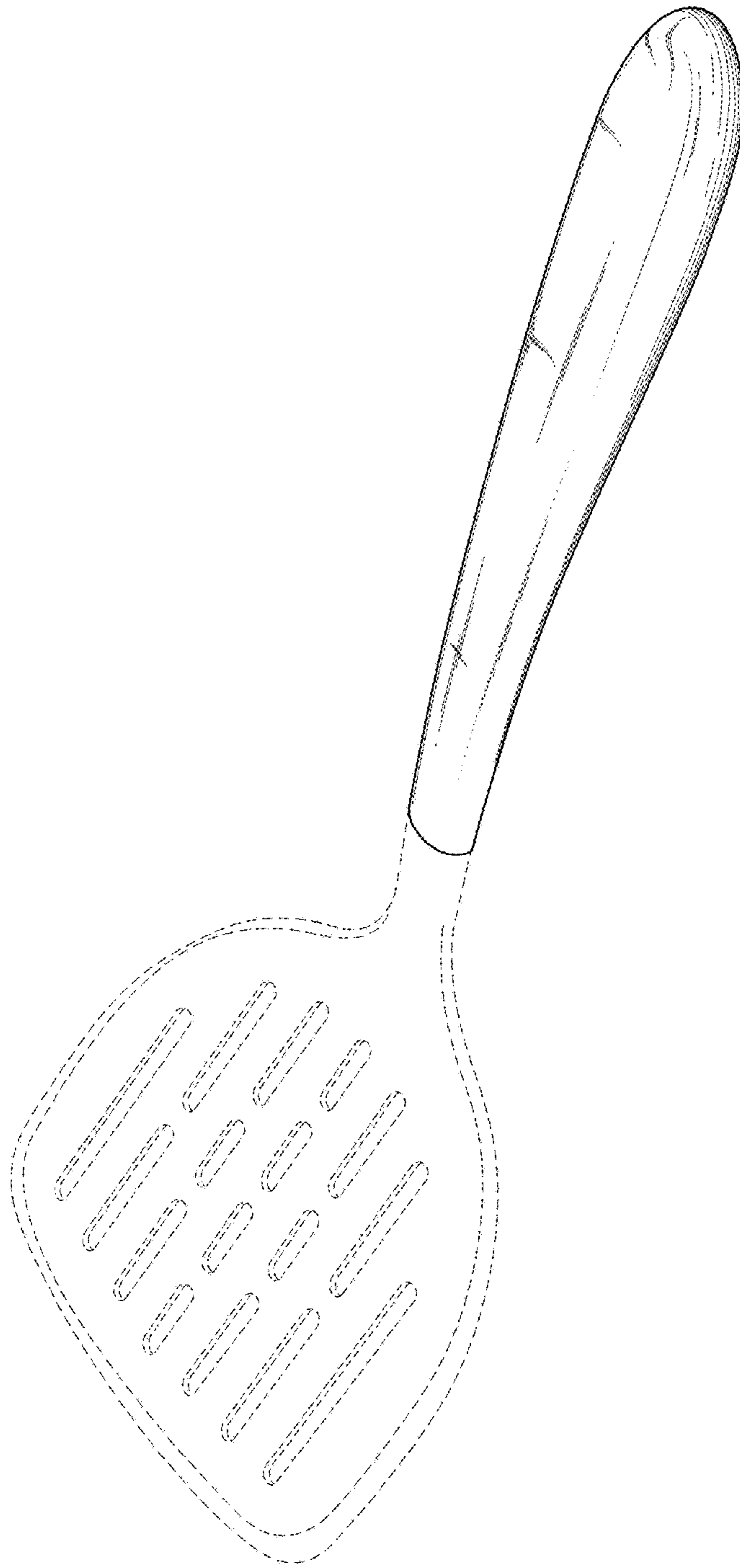


FIG. 1

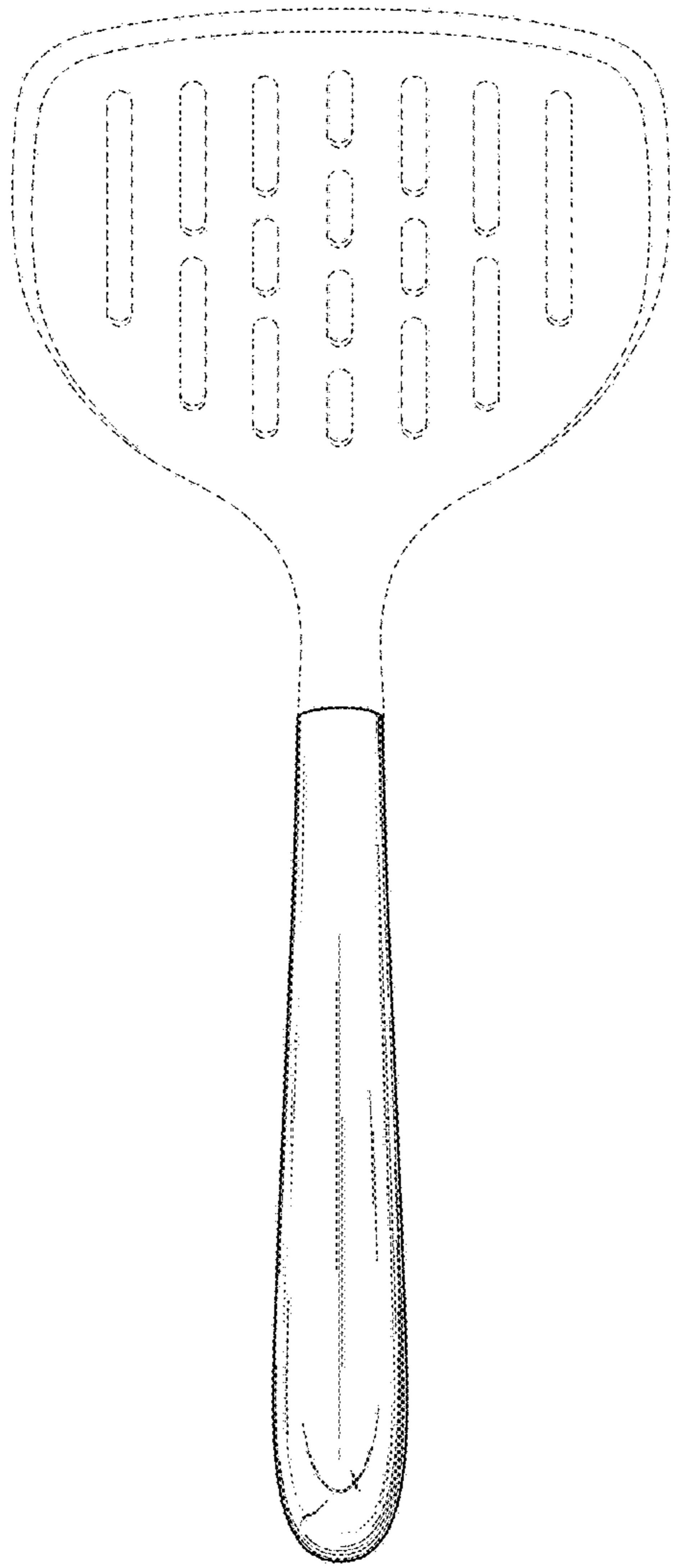


FIG. 2

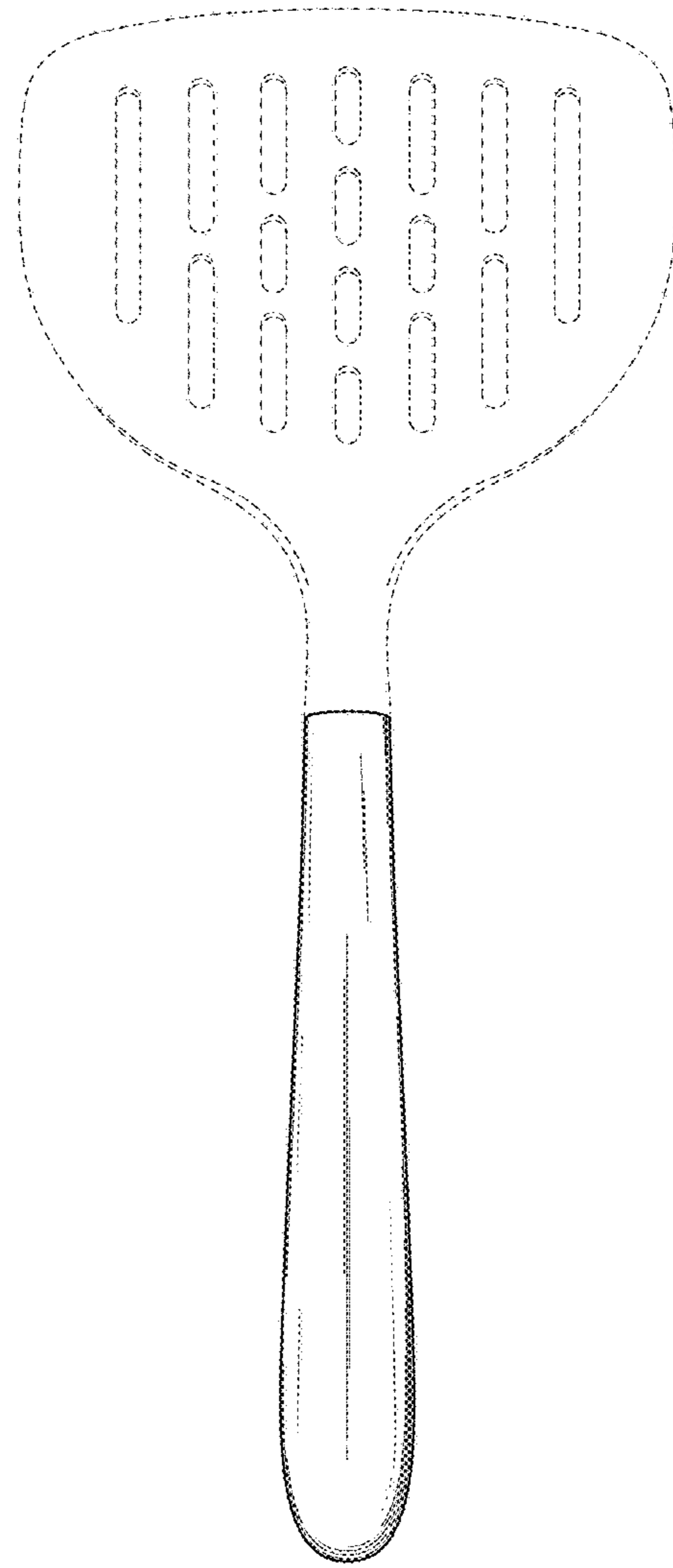


FIG. 3

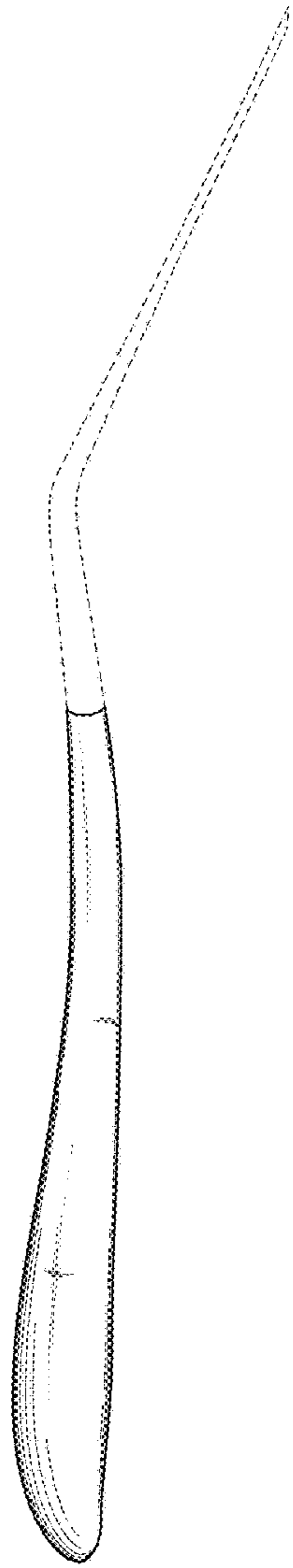


FIG. 4

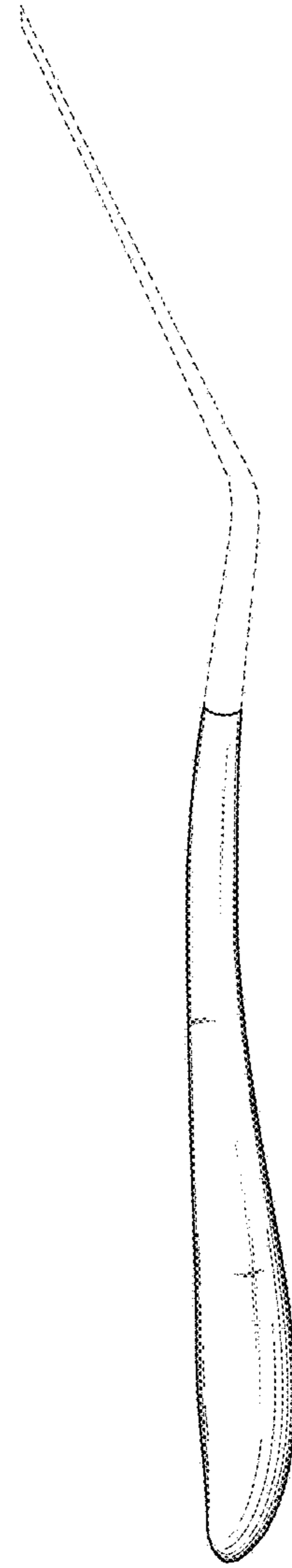


FIG. 5

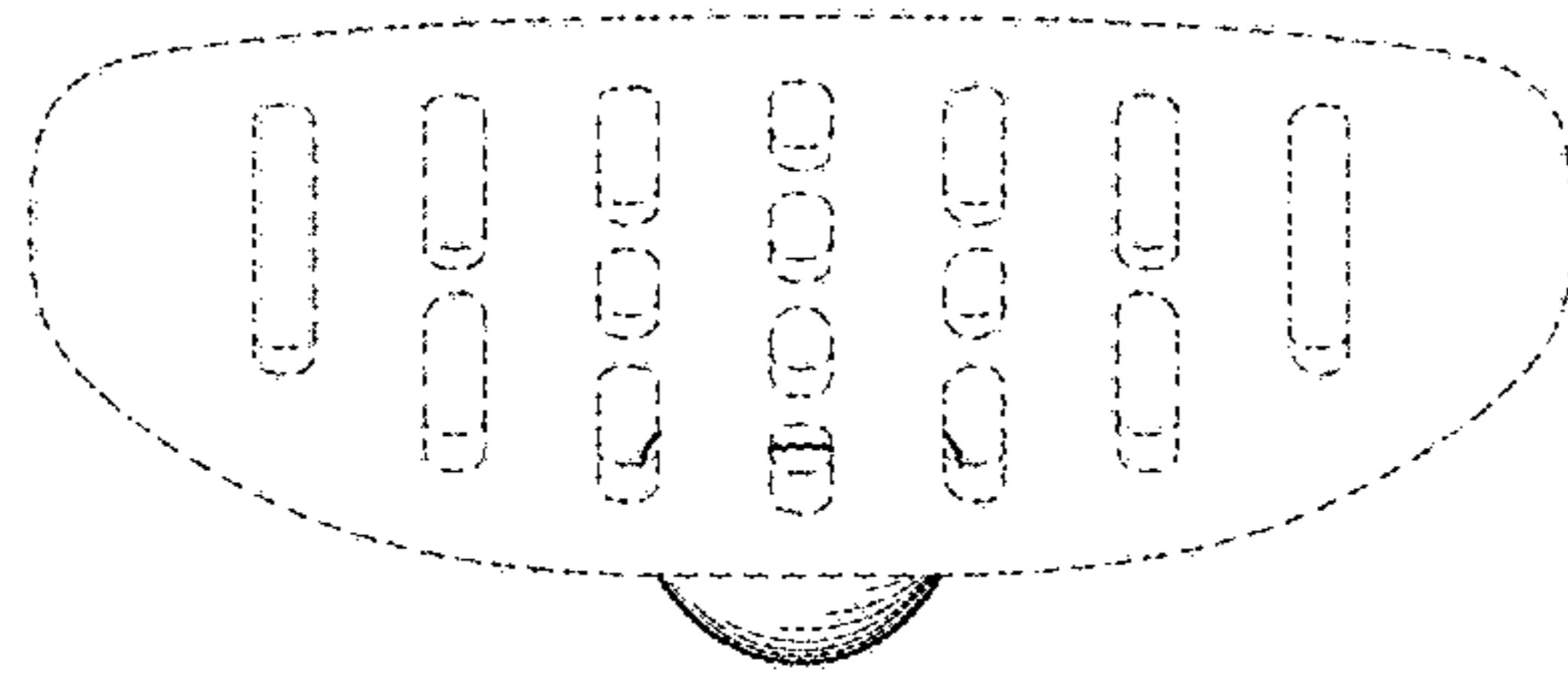


FIG. 6

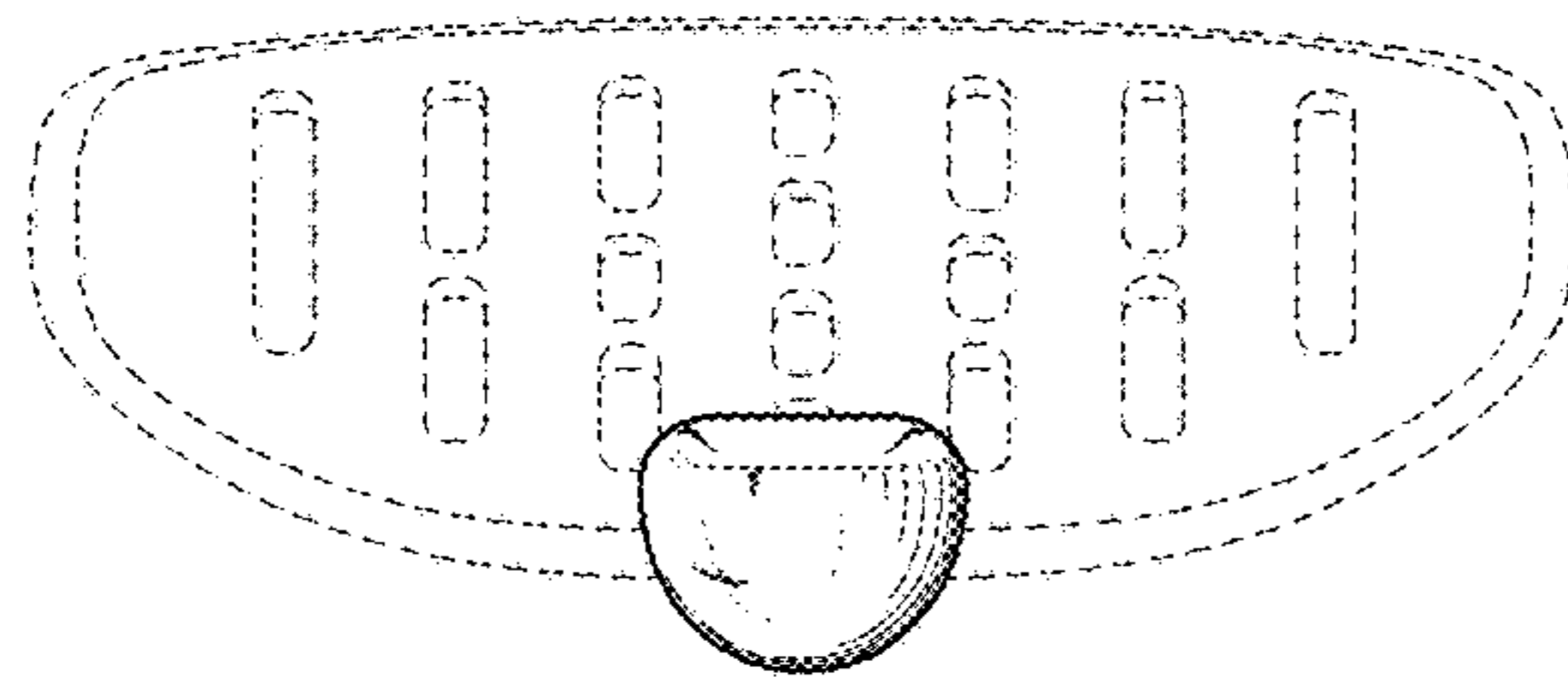


FIG. 7