



US00D833212S

(12) **United States Design Patent**
Buck

(10) **Patent No.:** **US D833,212 S**

(45) **Date of Patent:** **** Nov. 13, 2018**

(54) **COMBINED BEVERAGE LID AND FOOD CONTAINER**

(71) Applicant: **Ronald Mark Buck**, Encinitas, CA (US)

(72) Inventor: **Ronald Mark Buck**, Encinitas, CA (US)

(73) Assignee: **SNACKTOPS, Inc.**, Carlsbad, CA (US)

(**) Term: **15 Years**

(21) Appl. No.: **29/577,528**

(22) Filed: **Sep. 13, 2016**

(51) **LOC (11) Cl.** **07-99**

(52) **U.S. Cl.**
USPC **D7/392.1; D7/900**

(58) **Field of Classification Search**
USPC D7/387, 392, 392.1, 392.2, 393, 396.2,
D7/396.3, 396.4, 401.1, 507, 509-511,
D7/538, 900

(Continued)

(56) **References Cited**

U.S. PATENT DOCUMENTS

3,429,369 A * 2/1969 Segal A47G 19/26
126/261
4,197,940 A * 4/1980 DeRossett A47G 19/26
220/780

(Continued)

OTHER PUBLICATIONS

“Snack-N-Go Tumbler.” Found online Jul. 9, 2018 at www.logoexpressions.com. Image dated Feb. 10, 2017. Retrieved from URL: https://tineye.com/search/9ca62951506725fe3841da4e41a40fecb1974107/?extension_ver=chrome-1.2.0 (Year: 2017).*

(Continued)

Primary Examiner — Garth Rademaker

Assistant Examiner — Katelin G Kloberg

(74) *Attorney, Agent, or Firm* — Manuel F. de la Cerra

(57) **CLAIM**

The ornamental design for a combined beverage lid and food container, as shown and described.

DESCRIPTION

FIG. 1 is a top perspective view of a beverage lid with a food container, showing a first embodiment of my new design:

FIG. 2 is an exploded top perspective view thereof, showing an outer portion and inner portion;

FIG. 3 is an exploded top perspective view of a beverage lid with food container, shown a second embodiment of my design:

FIG. 4 is a top perspective view of the first embodiment shown within an environment of use;

FIG. 5 is an exploded top perspective view thereof, showing an outer portion and inner portion;

FIG. 6 is an exploded top plan view of the first embodiment, showing an outer portion and inner portion;

FIG. 7 is an exploded bottom plan view thereof;

FIG. 8 is an exploded front elevation view thereof;

FIG. 9 is an exploded rear elevation view thereof;

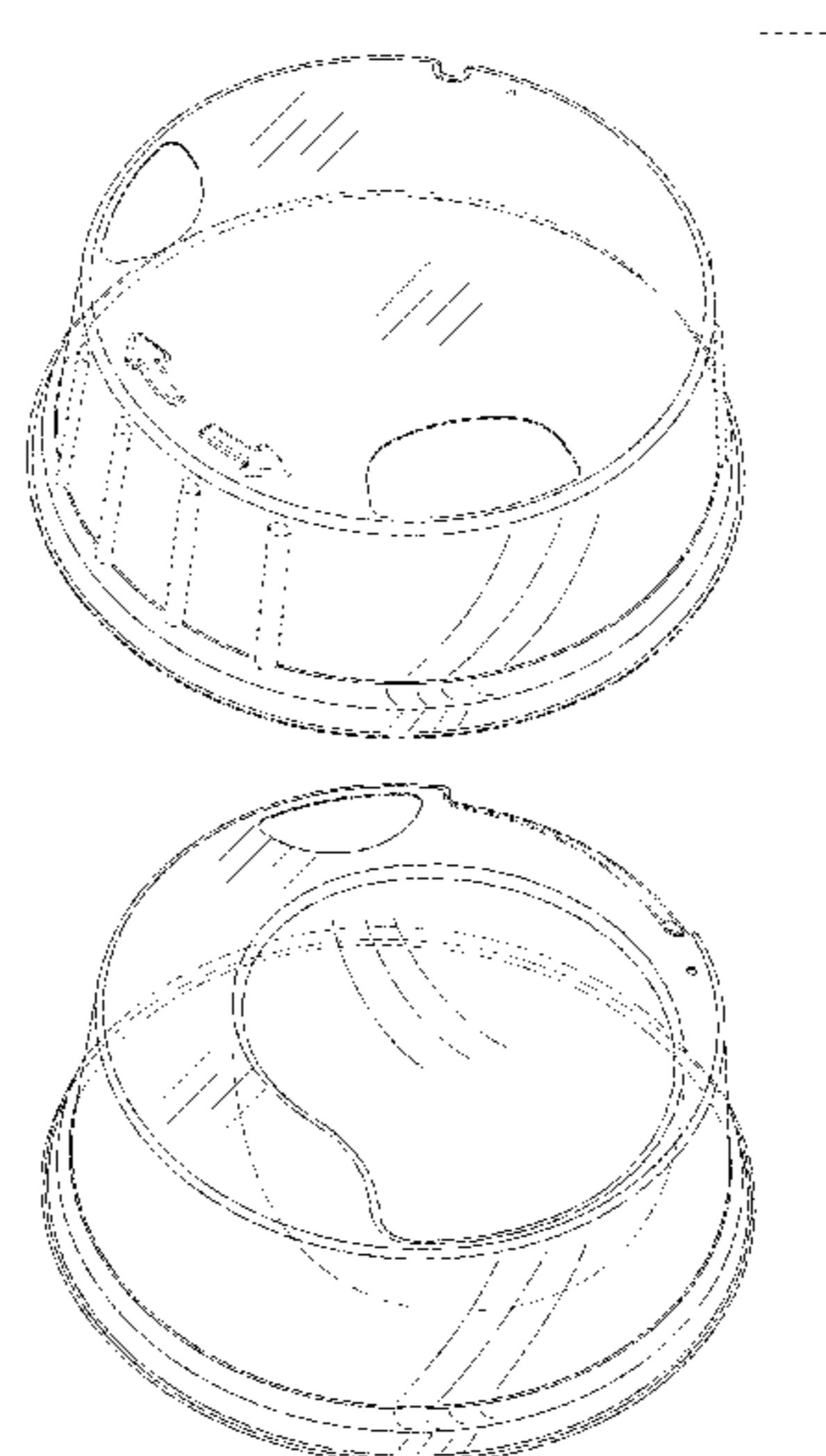
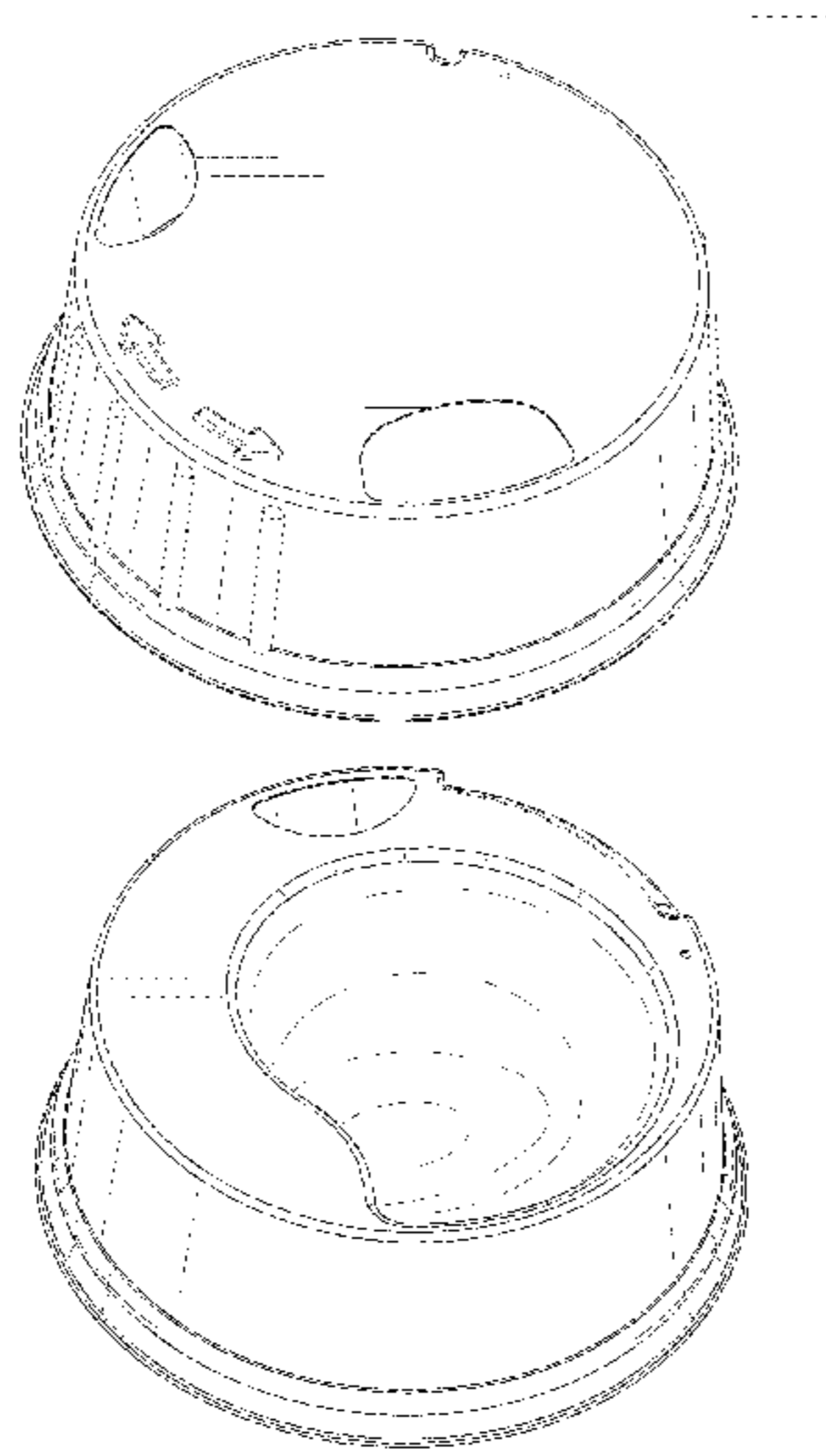
FIG. 10 is an exploded left-side elevation view thereof;

FIG. 11 is an exploded right-side elevation view thereof; and,

FIG. 12 is a sectional front elevation view taken in the direction of line 12-12 in FIG. 6.

In FIGS. 4 and 5, the evenly-spaced dashed broken lines depict a beverage cup, are for environmental purposes only and form no part of the claimed design. The dotted lines in the drawings depict portions of the combined beverage lid and food container that form no part of the claimed design.

1 Claim, 11 Drawing Sheets



(58) **Field of Classification Search**

CPC . A47G 19/22; B65D 1/00; B65D 1/02; B65D 1/10; B65D 1/46; B65D 5/46; B65D 41/00; B65D 41/38; B65D 41/56; B65D 41/62; B65D 47/00; B65D 47/06; B65D 47/08; B65D 2251/00; B65D 2543/00046; B65D 2543/00092; B65D 2543/00296; B65D 2585/56

See application file for complete search history.

(56) **References Cited**

U.S. PATENT DOCUMENTS

4,978,022 A * 12/1990 Weick B65D 43/0212
206/219
5,139,163 A * 8/1992 Diaz B65D 21/0219
206/509
5,339,982 A * 8/1994 Tardie A47G 19/2227
215/229
D381,906 S * 8/1997 Bartsch D9/438
D563,167 S * 3/2008 Snedden D7/505
D588,866 S * 3/2009 Ho D7/391
D618,500 S * 6/2010 Hardaway D7/396.2
8,056,751 B2 * 11/2011 Vovan B65D 21/0222
206/508
8,939,312 B1 * 1/2015 Buck A47G 19/065
220/212

8,973,776 B1 * 3/2015 Buck A47G 19/2272
220/521
9,150,330 B1 * 10/2015 Stravitz B65D 21/0228
D748,942 S * 2/2016 Boroski D7/376
D767,391 S * 9/2016 Buck D9/447
9,469,459 B2 * 10/2016 Strominger B65D 1/265
D773,896 S * 12/2016 Dai D7/507
D784,080 S * 4/2017 Szymanski D7/507
9,622,605 B2 * 4/2017 Buck A47G 19/2205
9,687,095 B2 * 6/2017 Riggan A47G 19/30
D795,688 S * 8/2017 Buck D9/428
D801,810 S * 11/2017 Engel D9/436
D817,169 S * 5/2018 Dzikowicz D9/449
D821,137 S * 6/2018 Boroski D7/392.1
10,011,401 B2 * 7/2018 Merbach B65D 43/0225
2016/0114947 A1 * 4/2016 Buck A47G 19/2205
220/713

OTHER PUBLICATIONS

“SupaCute Mini Dessert Cups Disposable Appetizer Bowls.” Found online Jul. 9, 2018 at www.amazon.com. Page dated Jan. 20, 2014. Retrieved from URL: <https://www.amazon.com/SupaCute-Disposable-Appetizer-Complimentary-Containers/dp/B00HYEGR8Y> (Year: 2014).*
“Yogurt and Berry Parfait.” Found online Jul. 9, 2018 at thecrazycraftlady.com. Page dated Jul. 27, 2017. Retrieved from URL: <https://thecrazycraftlady.com/make-ahead-yogurt-berry-parfait/> (Year: 2017).*

* cited by examiner

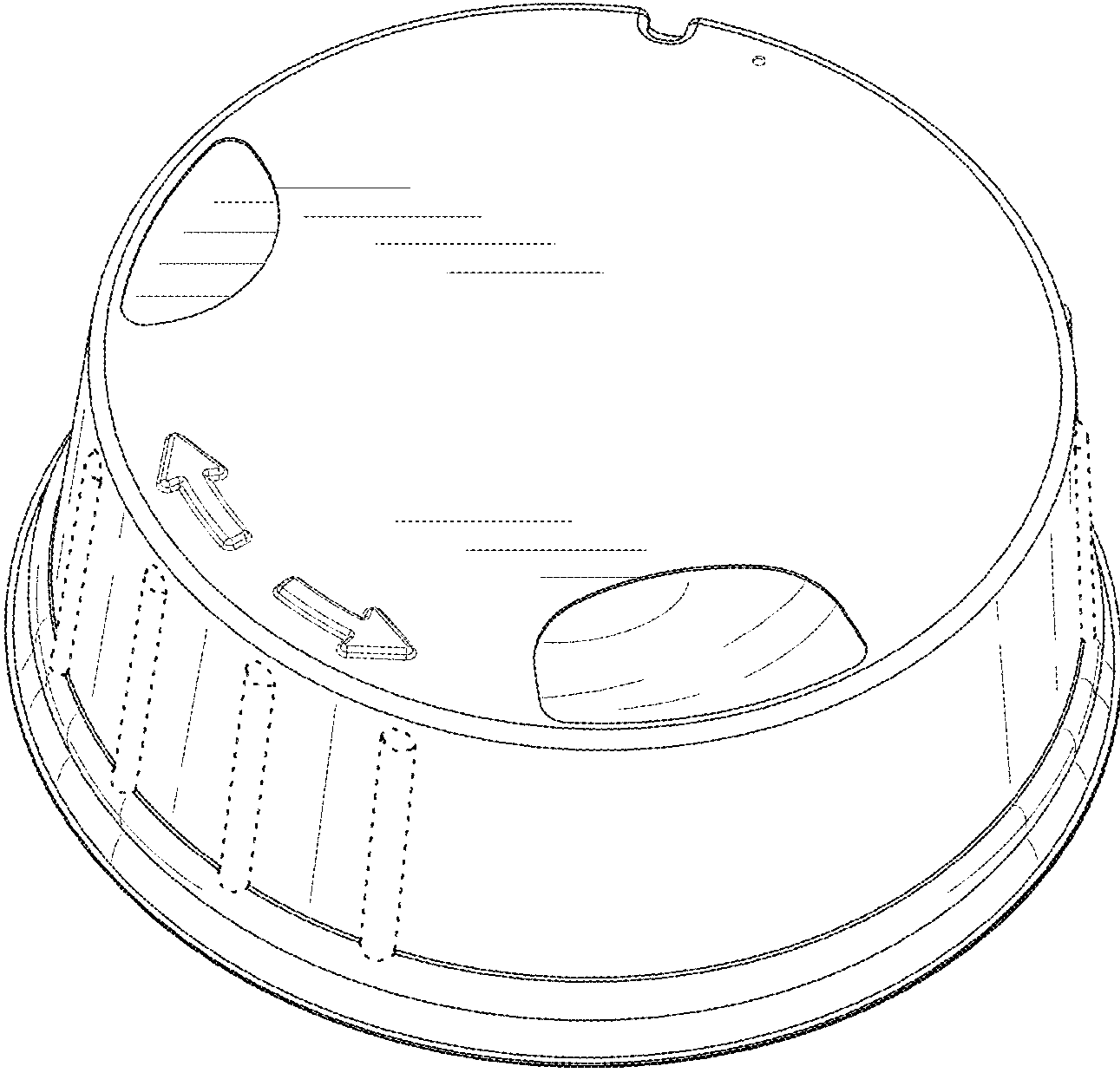


FIG. 1

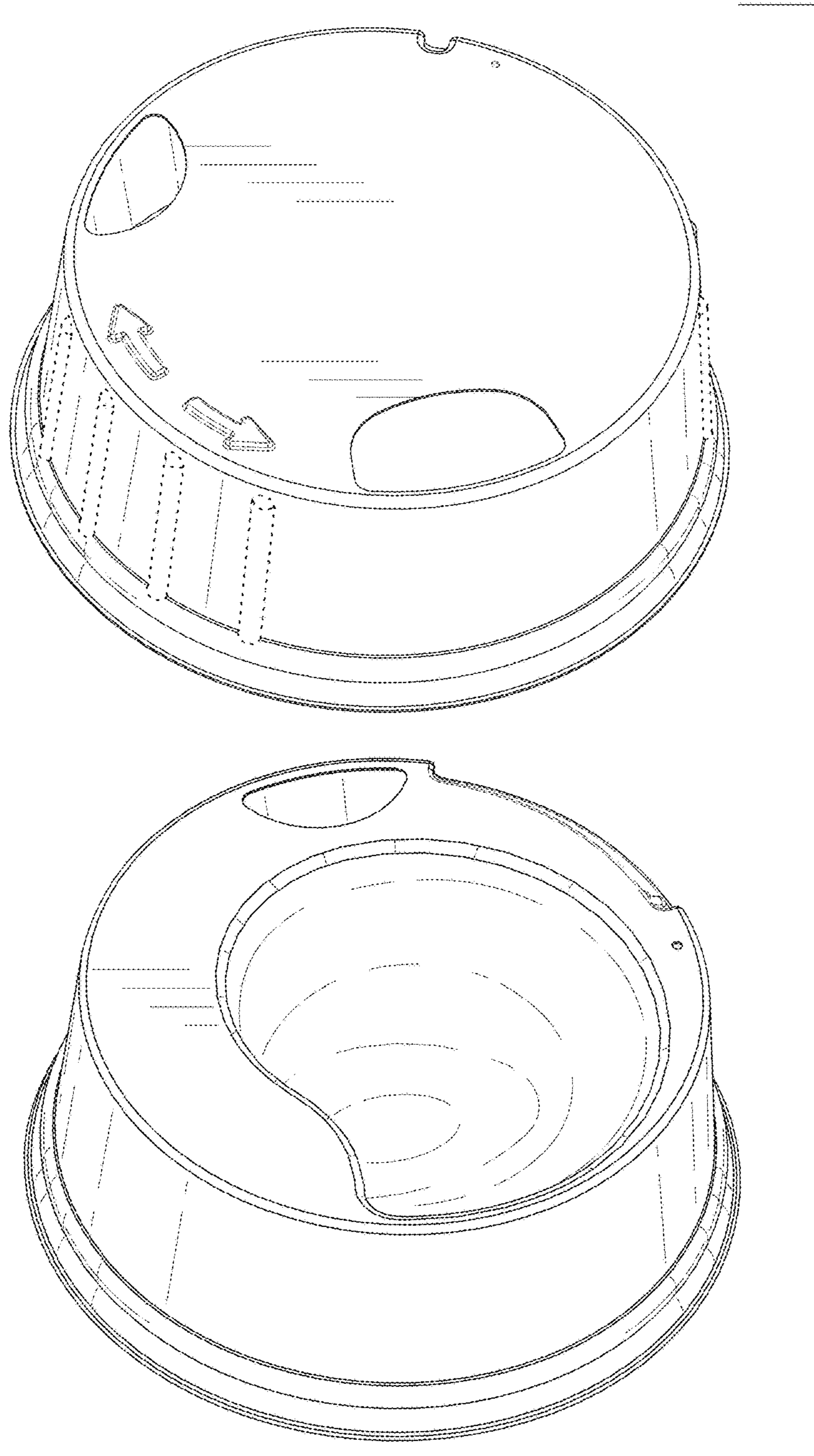


FIG. 2

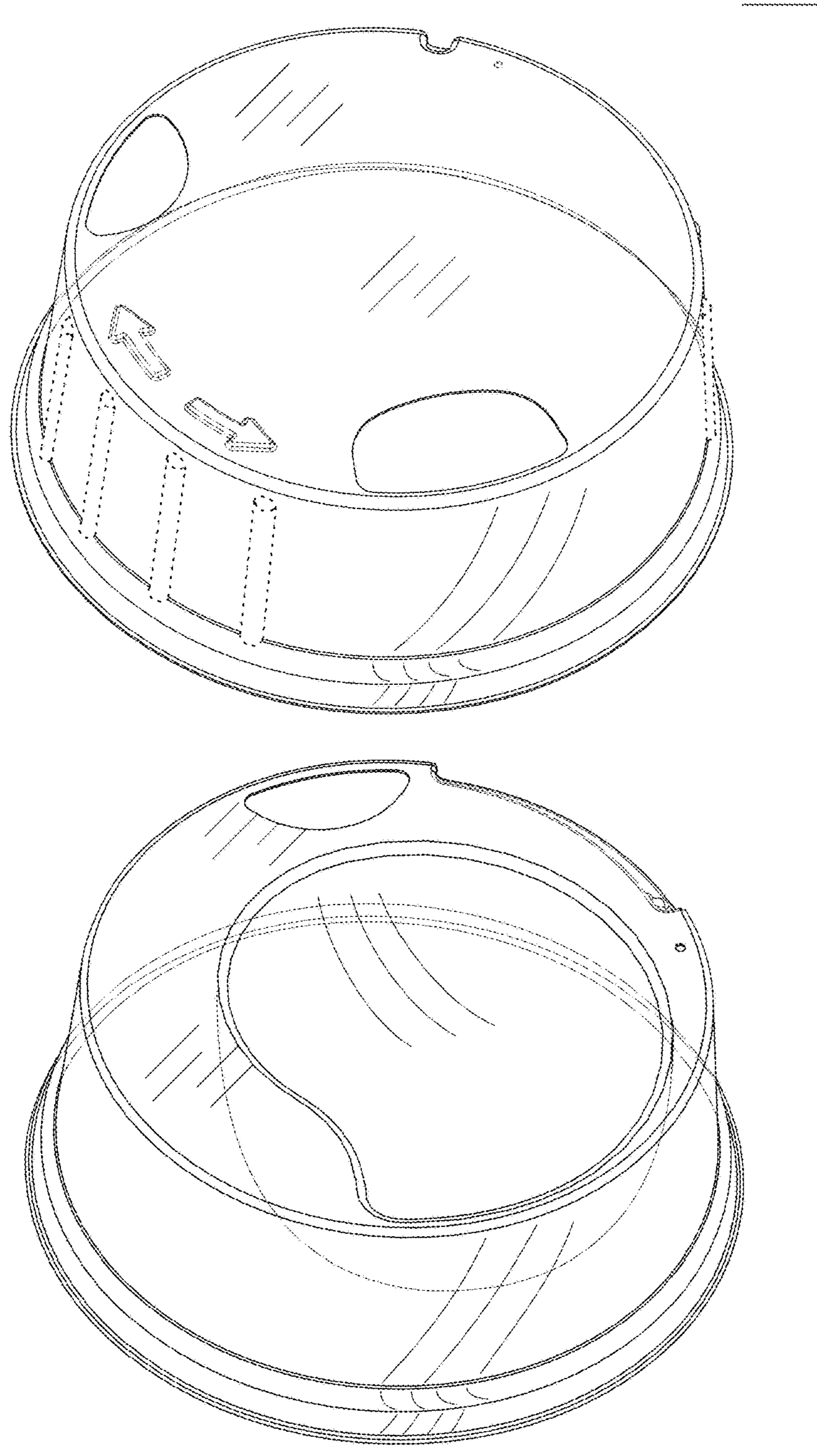


FIG. 3

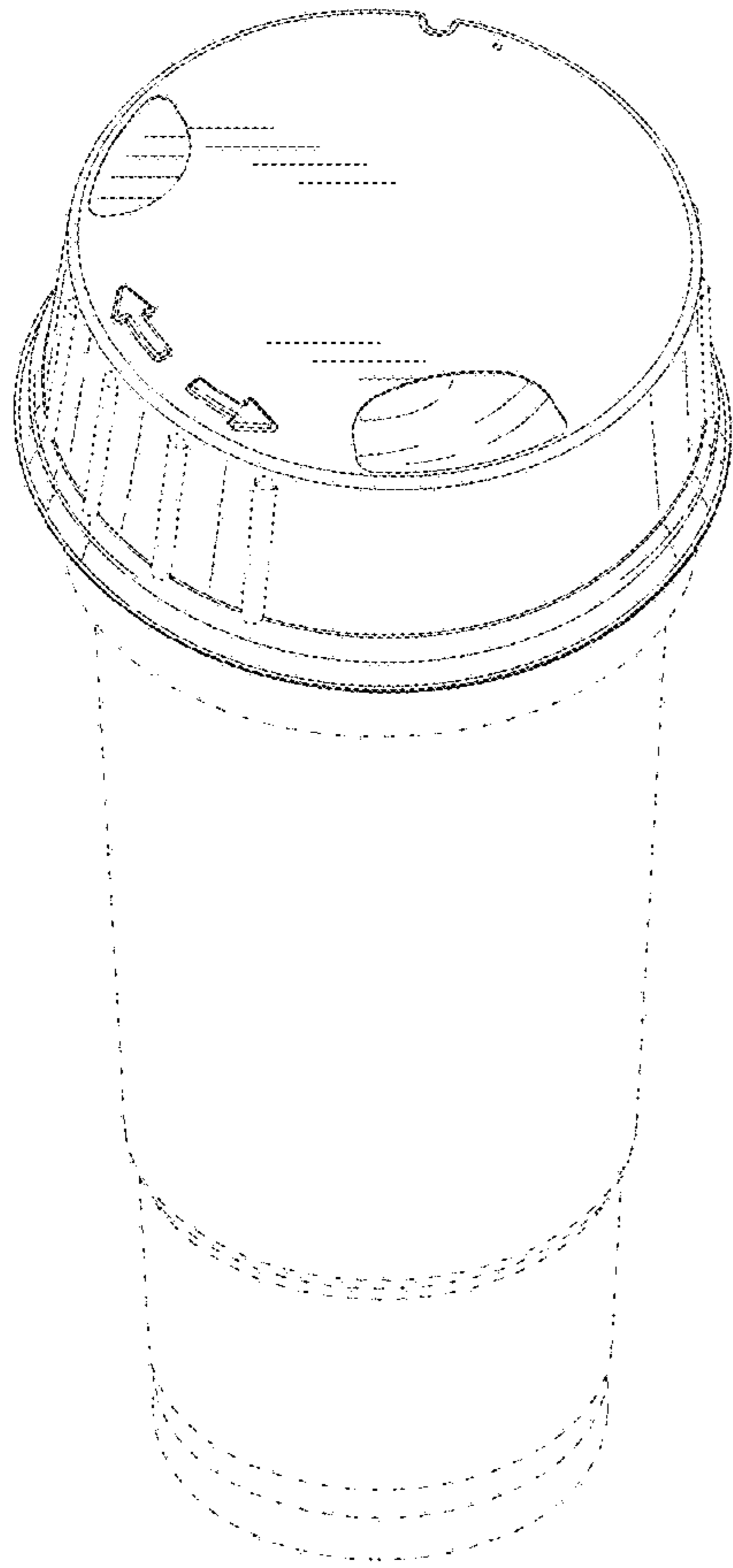


FIG. 4

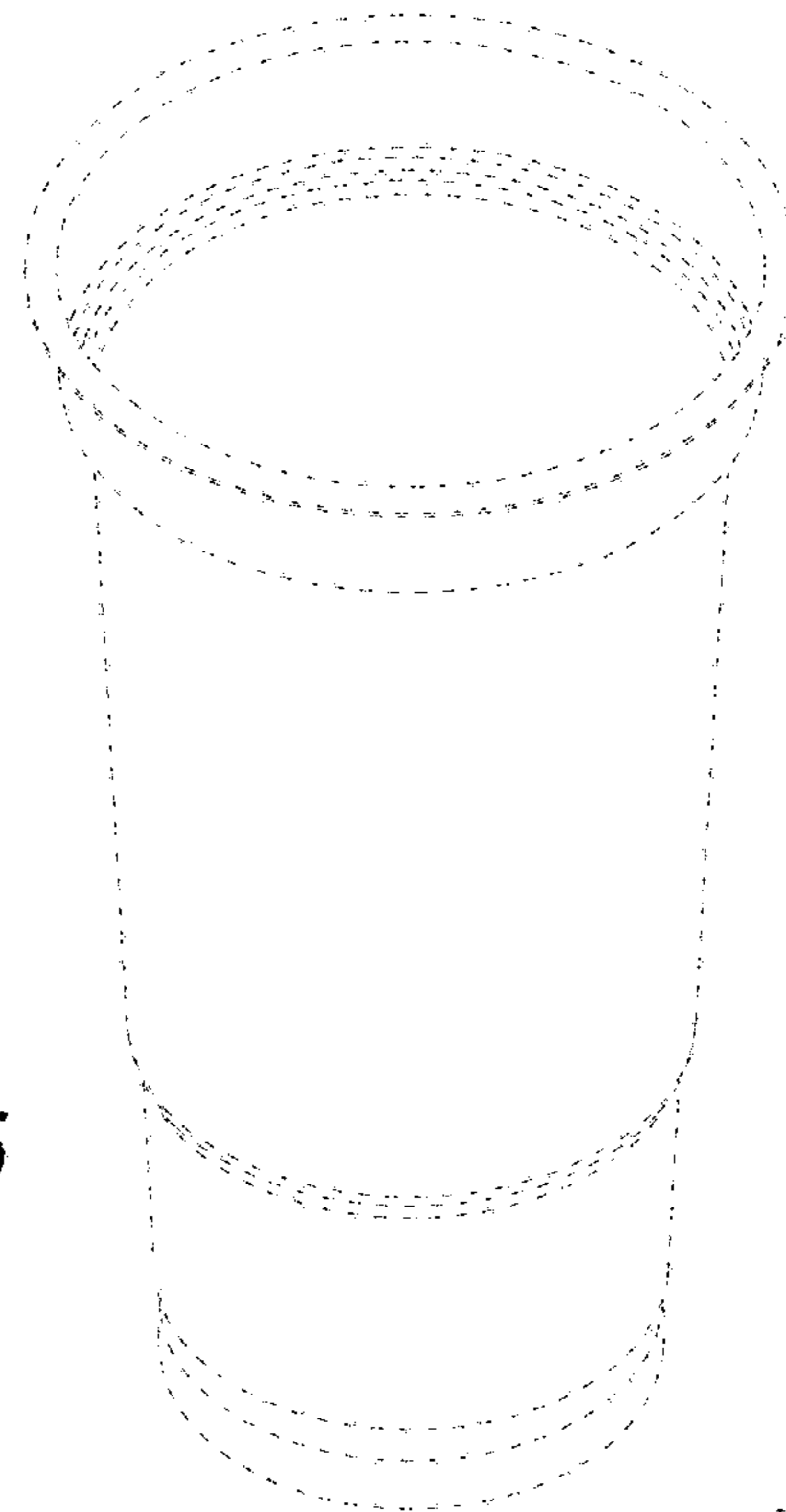
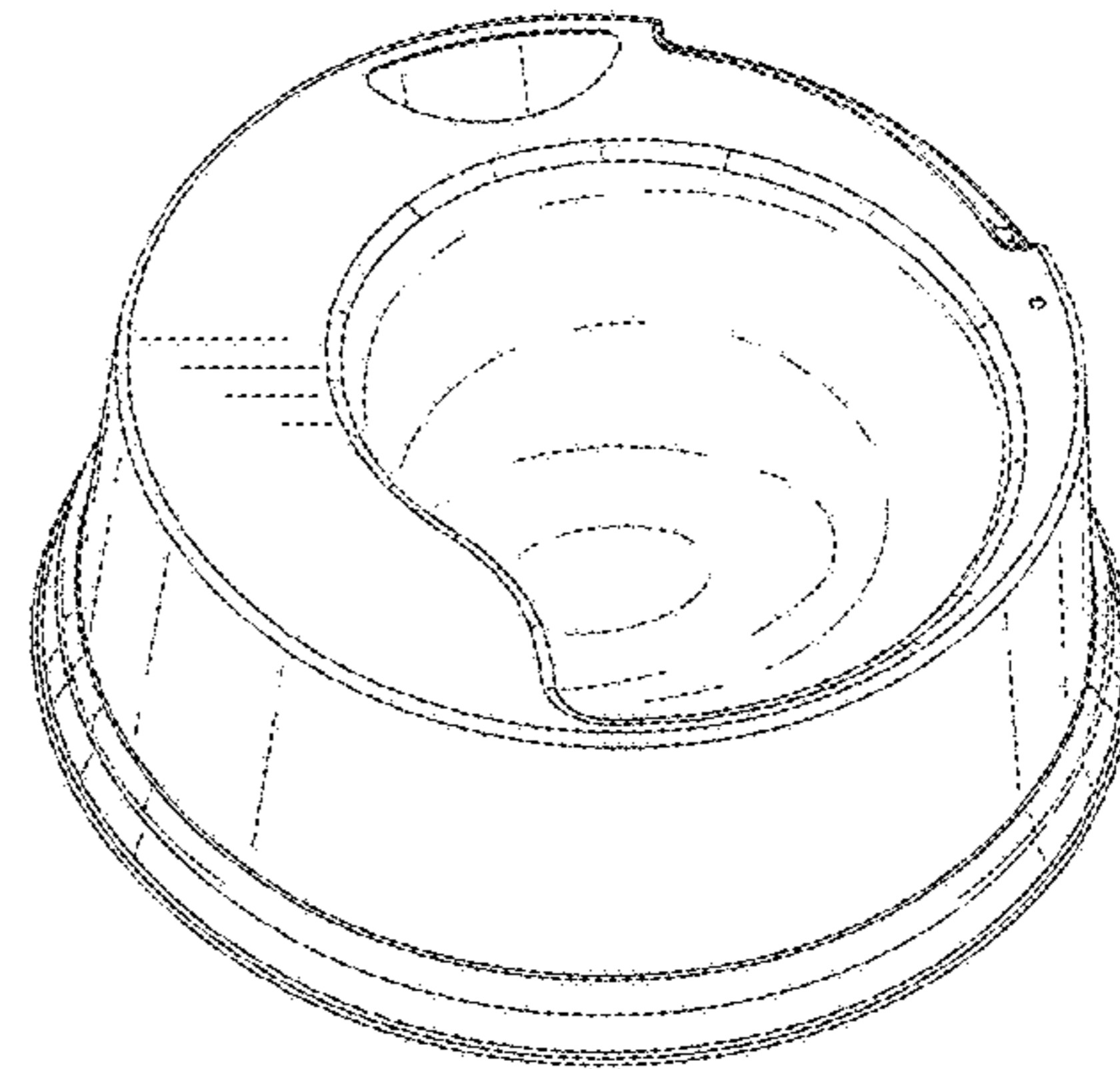
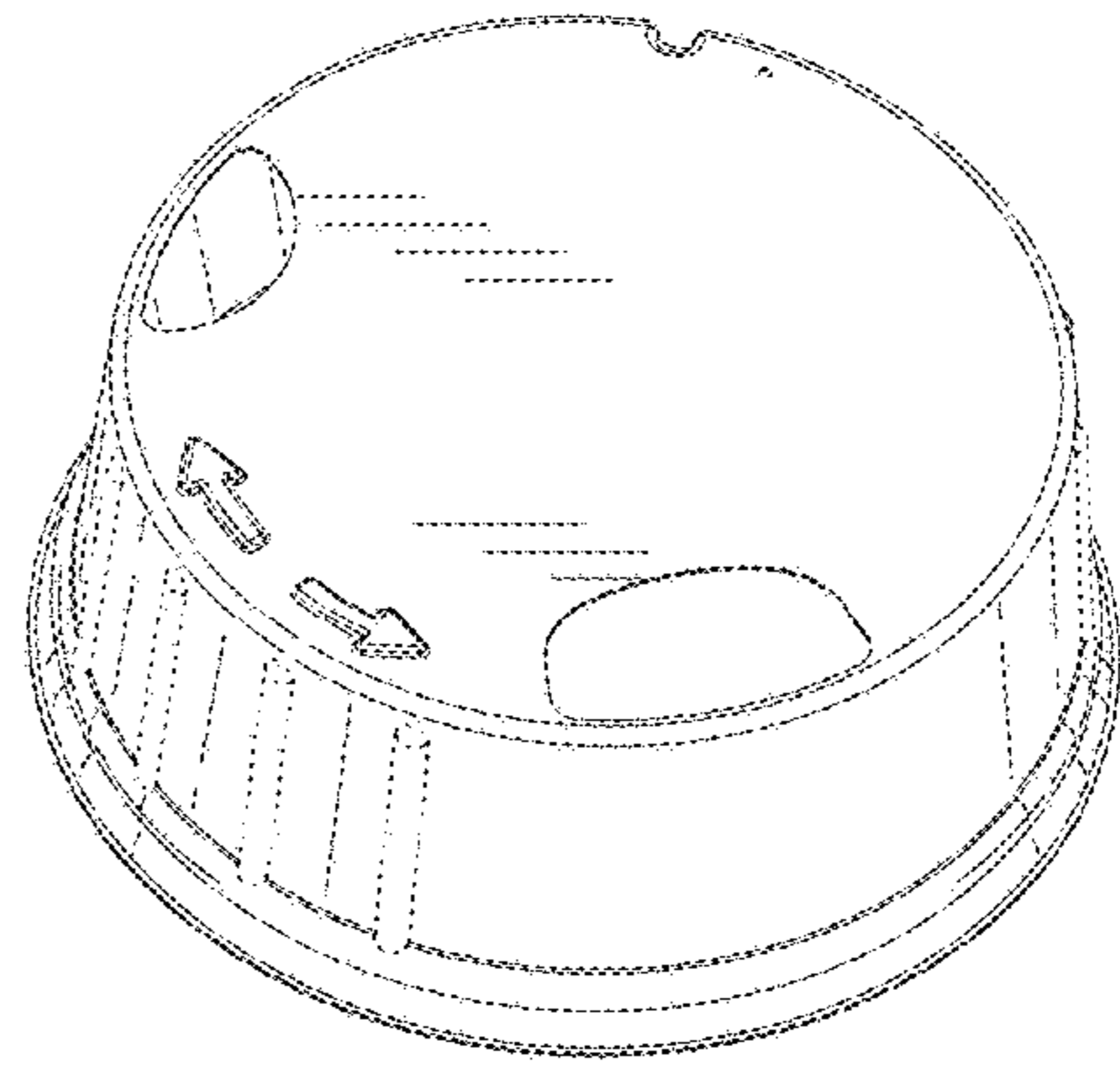


FIG. 5

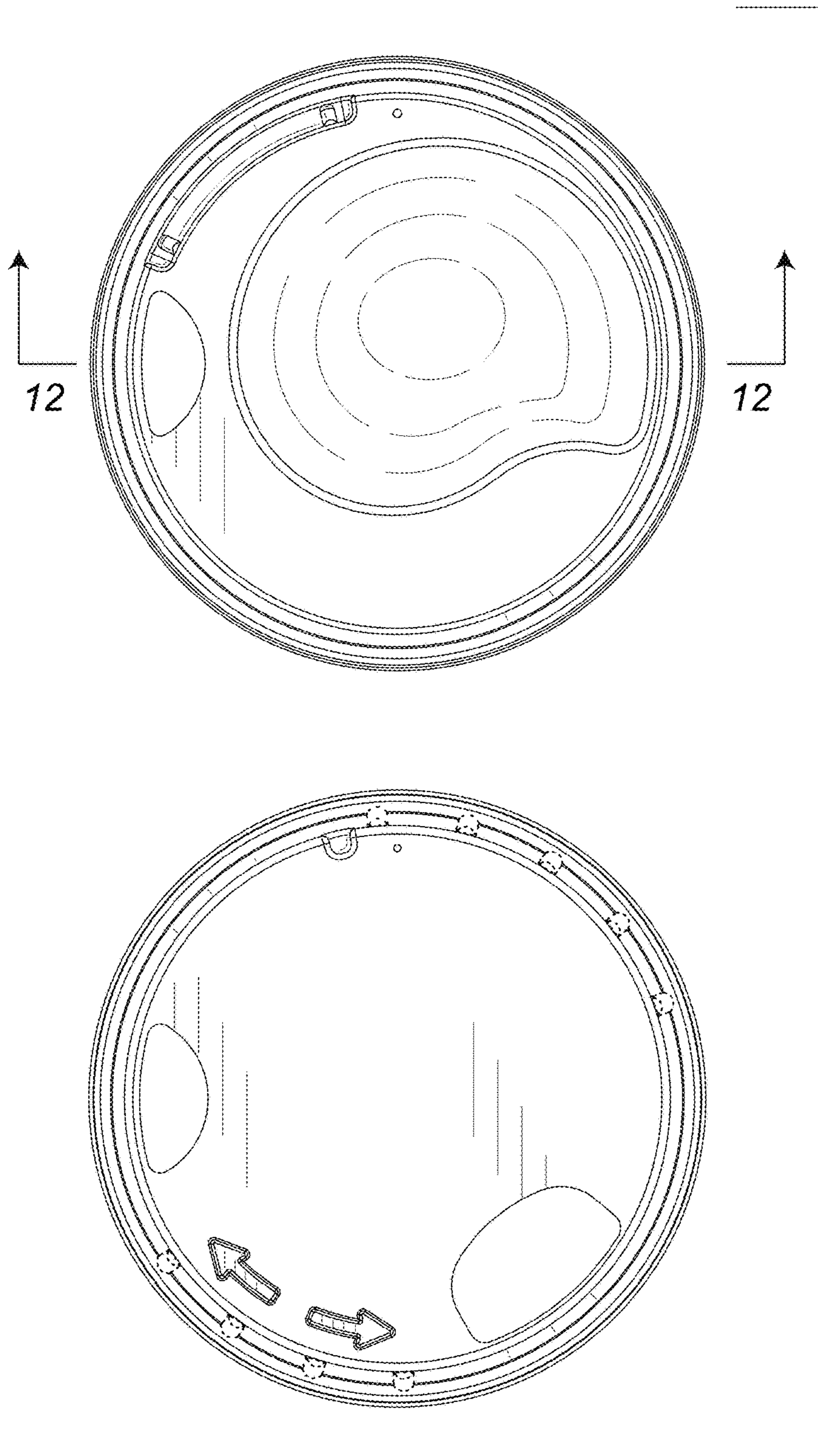


FIG. 6

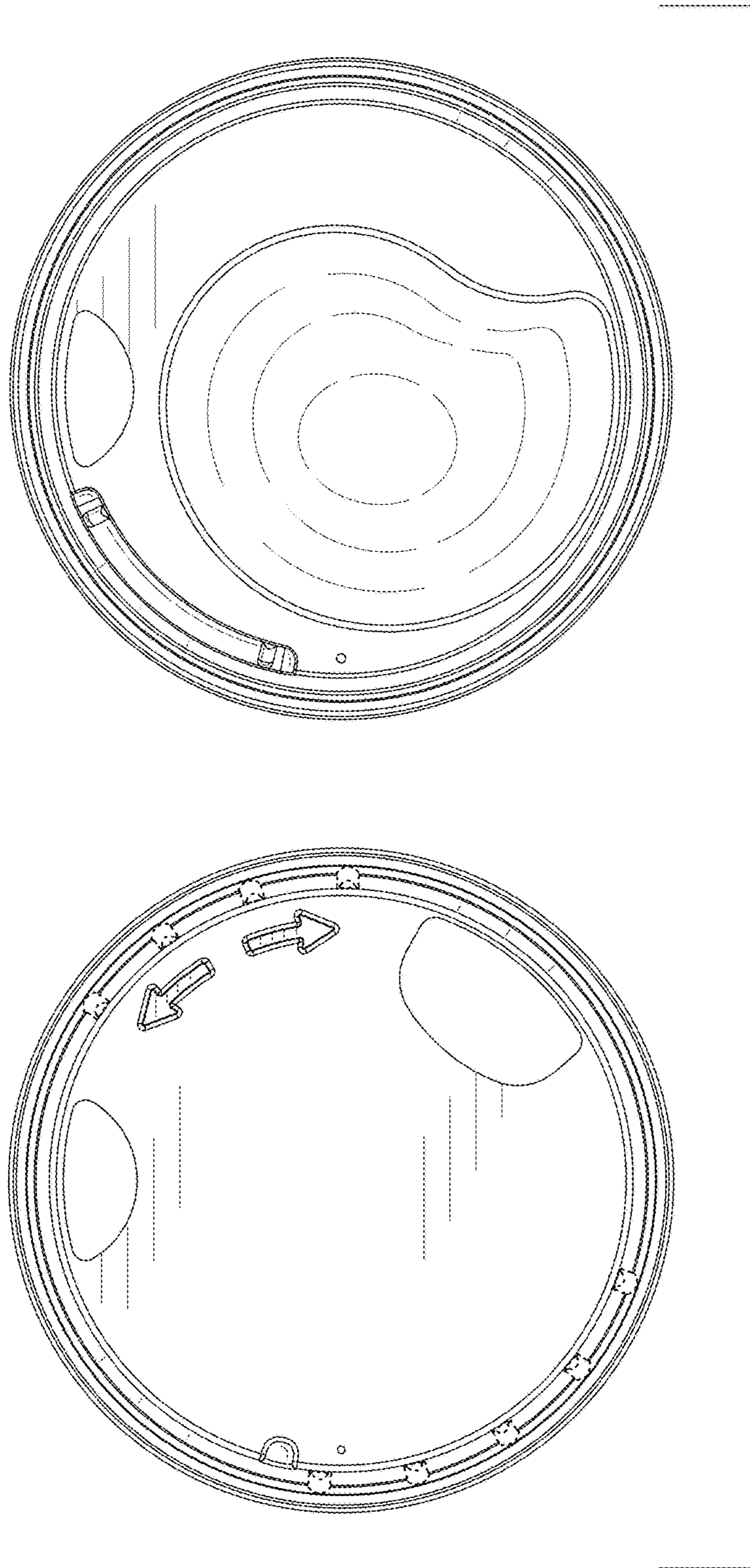


FIG. 7

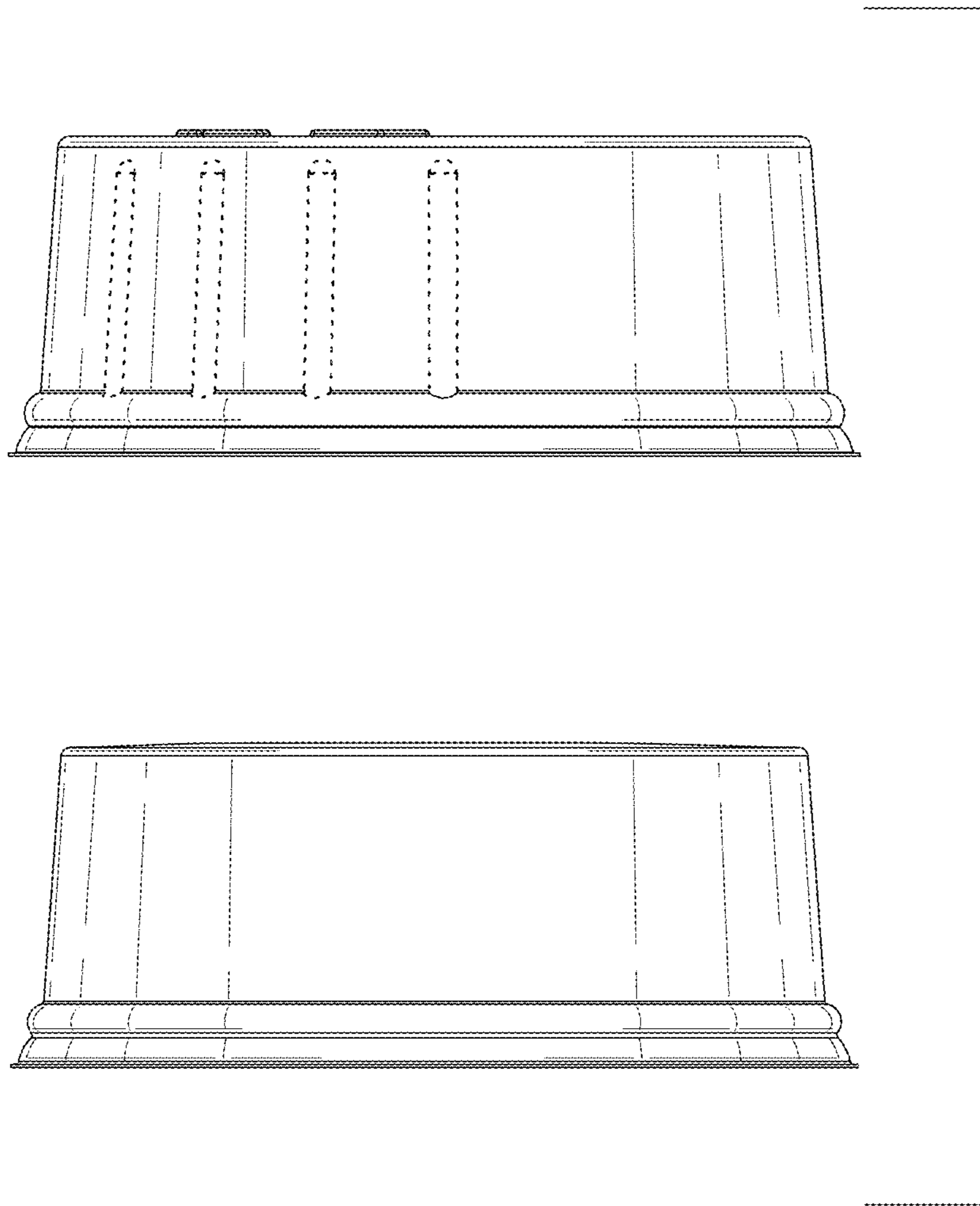


FIG. 8

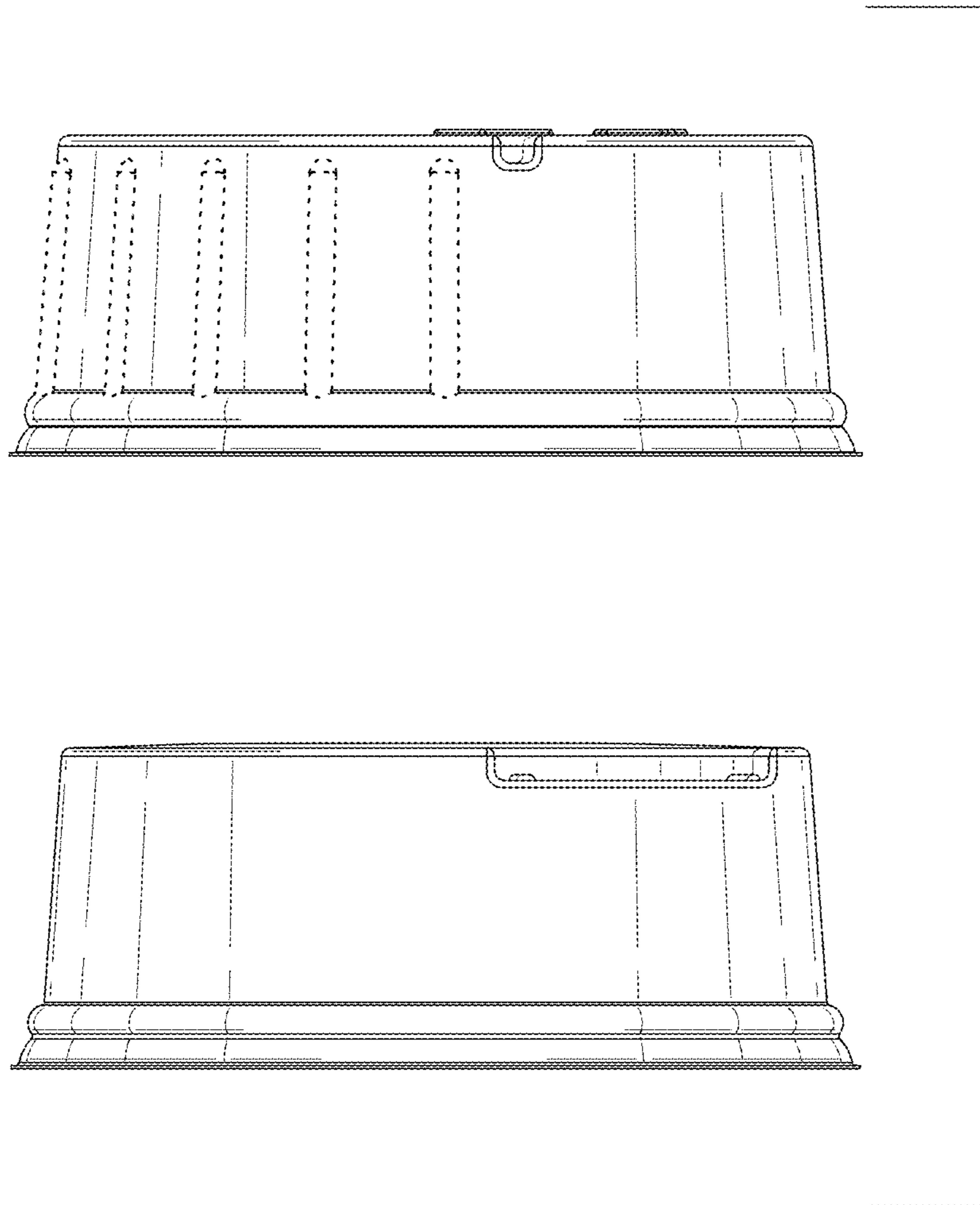


FIG. 9

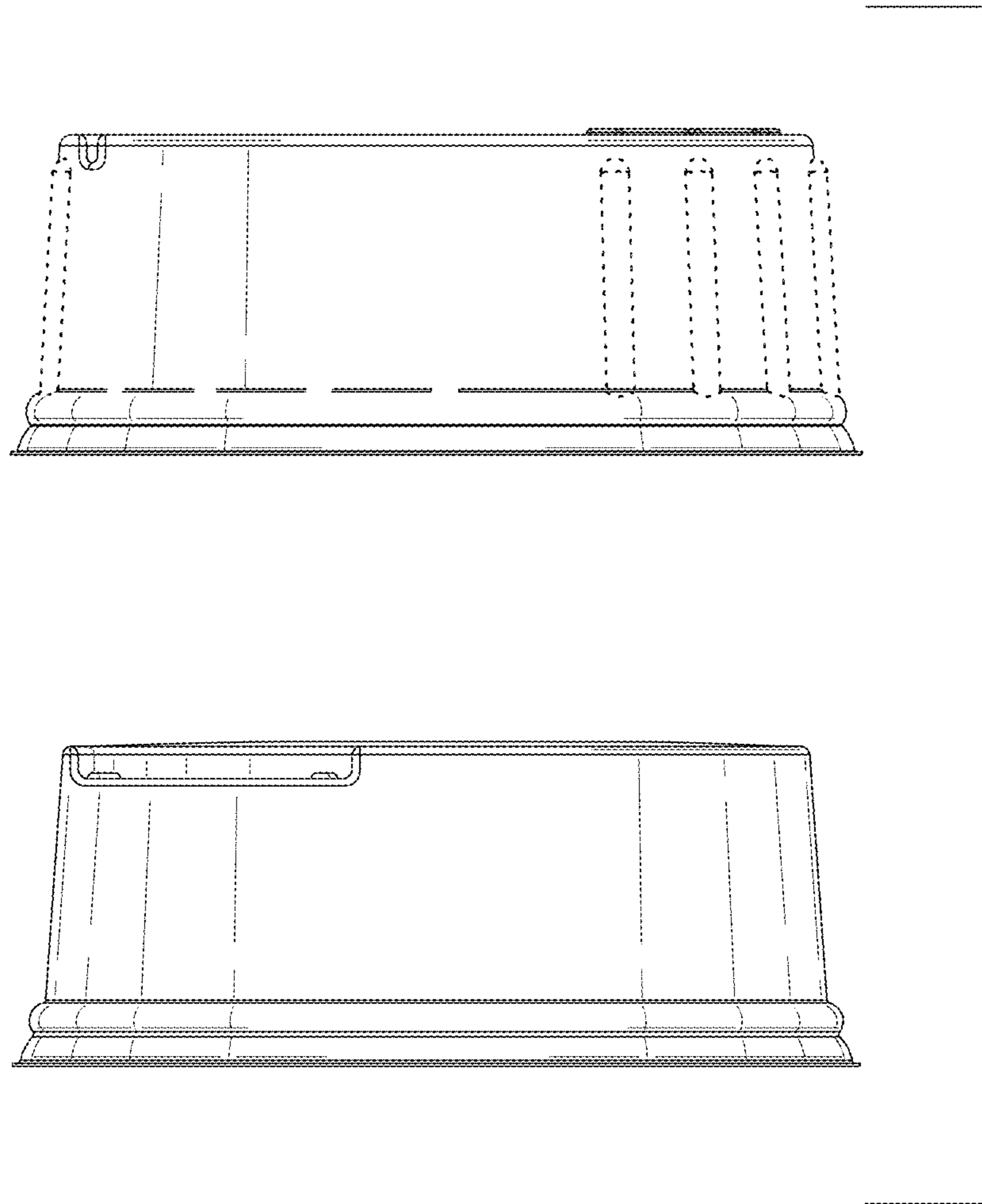


FIG. 10

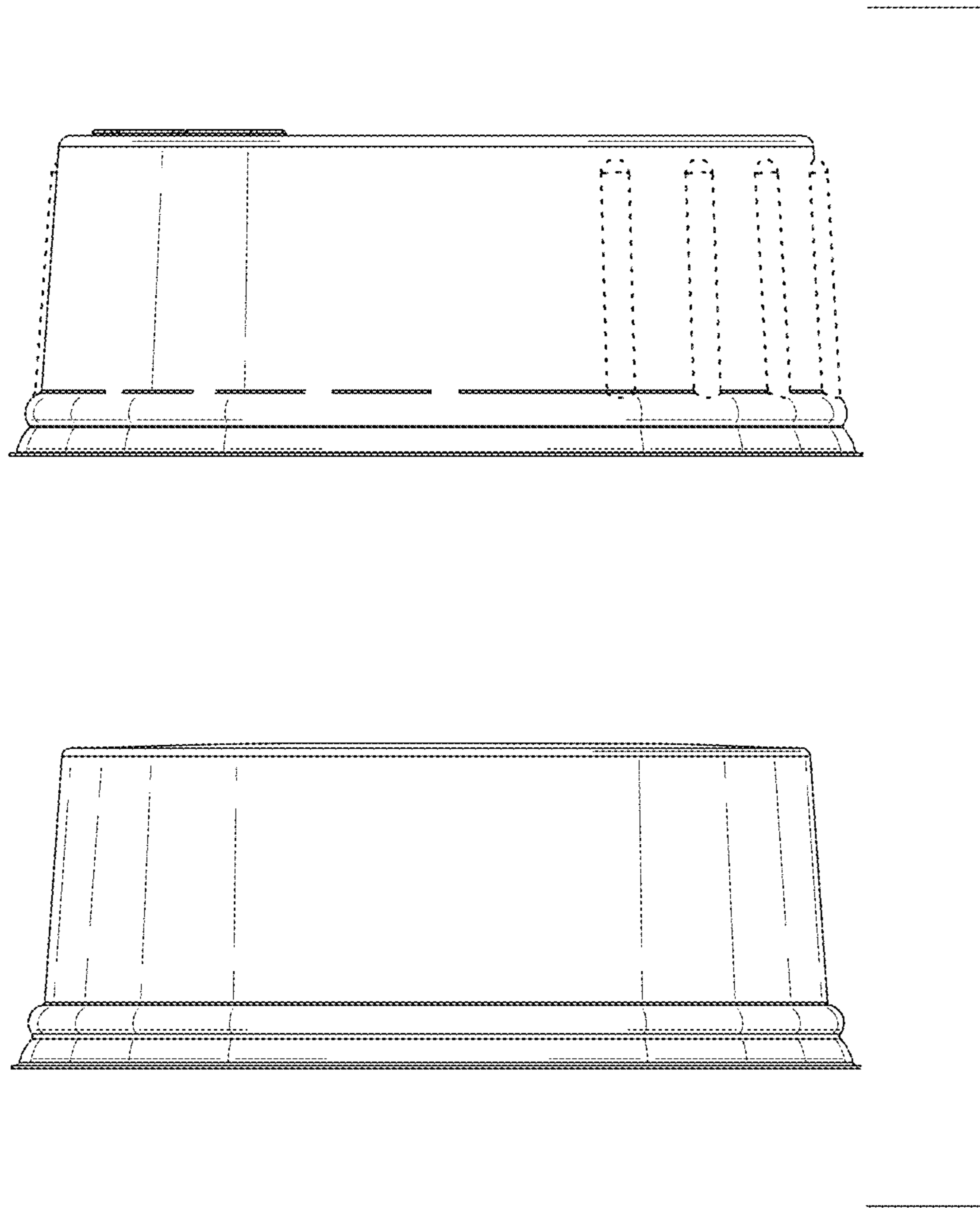


FIG. 11

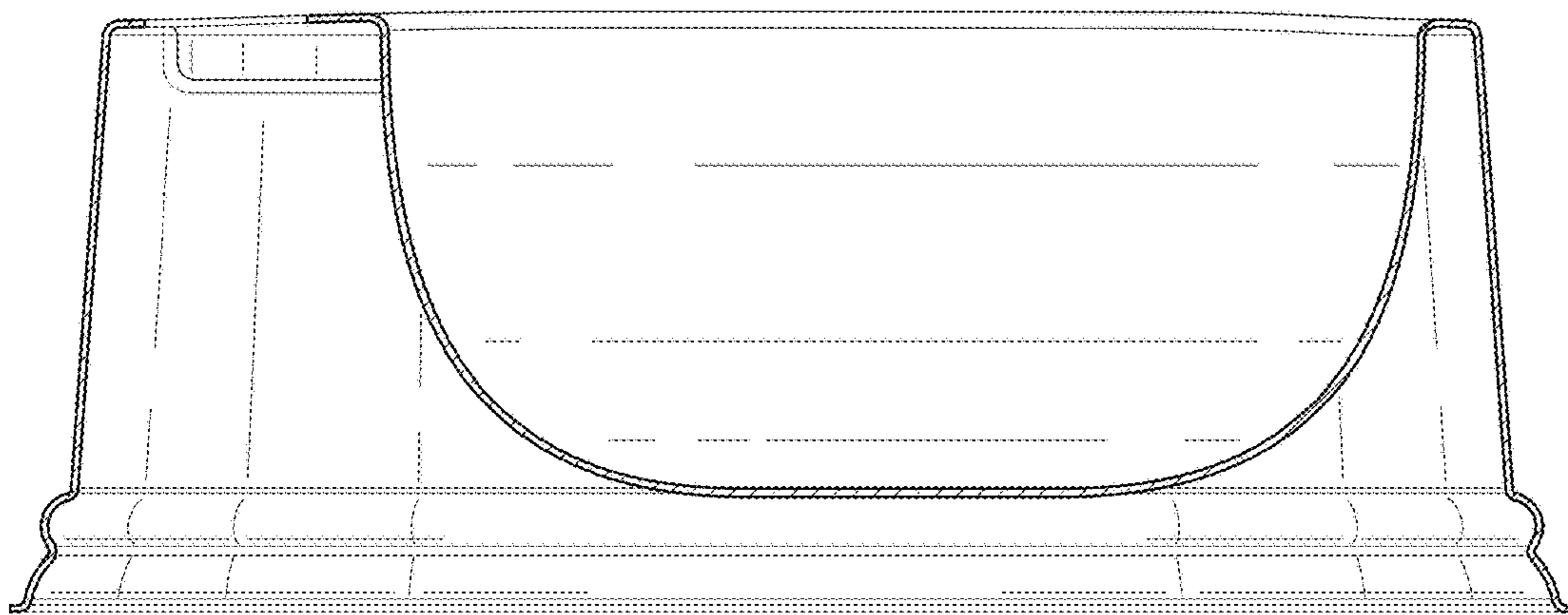


FIG. 12