



US00D833211S

(12) **United States Design Patent** (10) **Patent No.:** **US D833,211 S**
Croft et al. (45) **Date of Patent:** **** *Nov. 13, 2018**

(54) **LID FOR CONTAINER**

A47J 37/101; A47J 37/103; A47J 37/1204; A47J 37/0704; A47J 29/00; A47J 29/02; A47J

(71) Applicant: **RUBBERMAID INCORPORATED**,
Huntersville, NC (US)

(Continued)

(72) Inventors: **William F. Croft**, Mooresville, NC (US); **Evan Allen Fulford**, Portage, MI (US); **William Hart**, Cornelius, NC (US); **Gianna Lint**, Cornelius, NC (US)

(56) **References Cited**

U.S. PATENT DOCUMENTS

D115,160 S 6/1939 Stopa
D215,958 S 11/1969 Morse

(Continued)

(73) Assignee: **Rubbermaid Incorporated**,
Huntersville, NC (US)

OTHER PUBLICATIONS

<https://www.amazon.com/dp/B01CNEJSO> Oct. 3, 2016.*

(Continued)

(*) Notice: This patent is subject to a terminal disclaimer.

(**) Term: **15 Years**

Primary Examiner — Jennifer Rivard

Assistant Examiner — Catherine S Posthauer

(74) *Attorney, Agent, or Firm* — Jessica Kattula

(21) Appl. No.: **29/557,054**

(22) Filed: **Mar. 4, 2016**

(51) **LOC (11) Cl.** **07-01**

(52) **U.S. Cl.**
USPC **D7/391**

(57) **CLAIM**

The design for a lid for container, as shown and described.

(58) **Field of Classification Search**

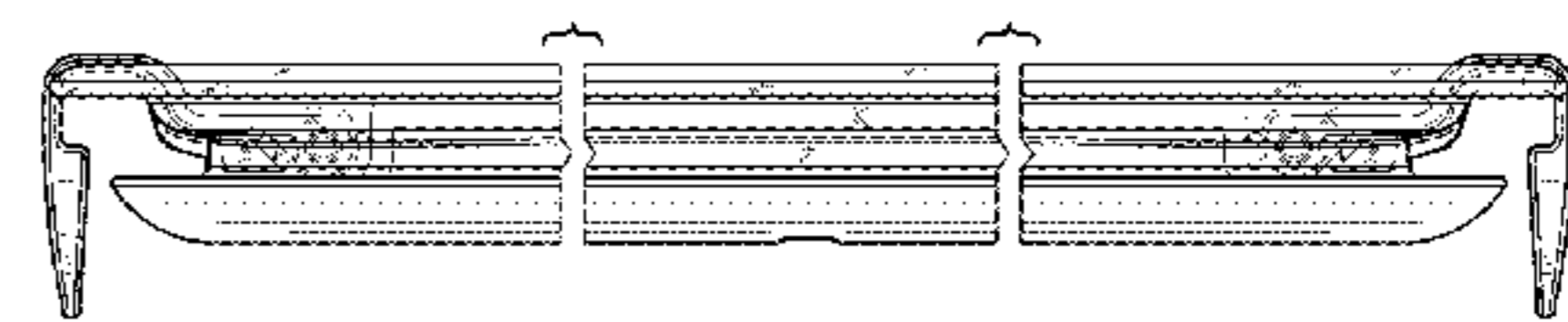
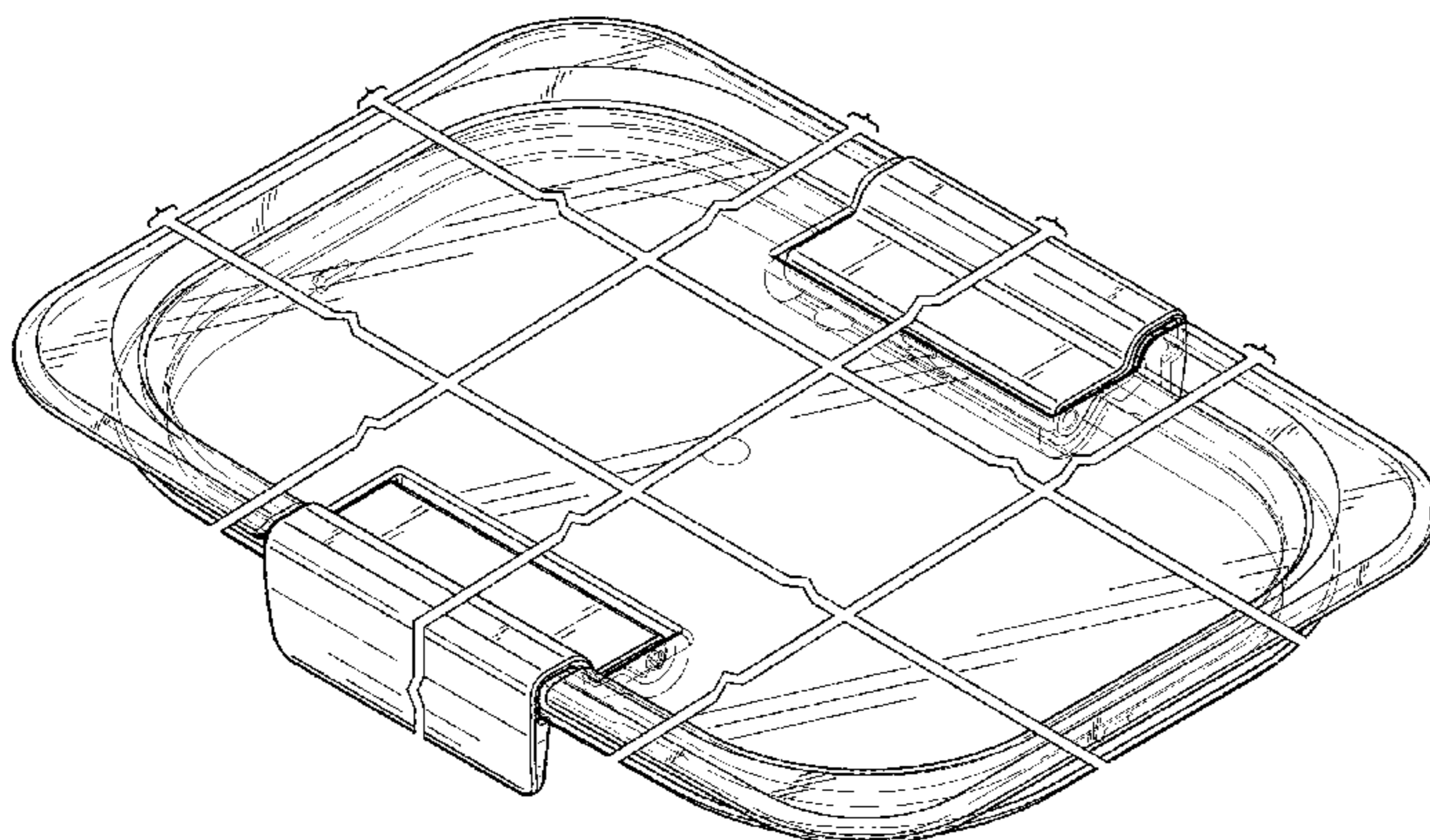
USPC D3/272, 273, 274–276, 279, 282, 232, D3/302, 326, 304, 309–315, 318, 901; D7/300, 306, 325, 387, 392, 360, 392.1, D7/391, 393, 396.2, 396.3, 396.4, 401.1, D7/507, 509–511, 538, 542, 558, 601, D7/605, 608, 629, 900, 396.1, 602, 612, D7/703; D9/434–447, 449, 504, 780, D9/414, 451–452, 418, 420–432, 456, D9/517, 737, 740, 741, 742, 747, 755, D9/759, 761; D6/315, 512, 515–525, D6/536, 567, 672, 673, 675, 675.1, 704; D12/406, 411, 419, 425, 426; D19/1, 27, D19/102, 103; D24/127, 128, 216, 224, D24/227–230; D32/55, 58

DESCRIPTION

FIG. 1 is a top perspective view of a lid for container; FIG. 2 is a front view of a lid for container illustrated in FIG. 1; FIG. 3 is a rear view of a lid for container illustrated in FIG. 1; FIG. 4 is a right side view of a lid for container illustrated in FIG. 1; FIG. 5 is left side view of a lid for container illustrated in FIG. 1; FIG. 6 is a top view of a lid for container illustrated in FIG. 1; and, FIG. 7 is a bottom view of a lid for container illustrated in FIG. 1.

The broken lines are shown for the purpose of illustrating parts of the article that form no part of the claim.

1 Claim, 5 Drawing Sheets



(58) **Field of Classification Search**

CPC 29/04; A47J 29/06; A47J 36/025; A47G 21/18; B65D 39/08; B65D 43/022; B65D 43/021; B65D 45/30; B65D 43/0218; B65D 45/16; B65D 53/02; B65D 43/04; B65D 45/20; B65D 11/02; B65D 11/18; B65D 85/30; B65D 85/32; B65D 43/02; B65D 43/0212; B65D 43/0256; B65D 2543/00194; B65D 2543/00296; B65D 2543/0074; B65D 2543/00842; B65D 81/3453; B65D 51/1683; F25D 3/08; B65B 1/04; H05B 6/06; H05B 6/12; F26B 25/18; A47B 73/00; A23L 5/34

See application file for complete search history.

(56) **References Cited**

U.S. PATENT DOCUMENTS

3,817,419	A	6/1974	Moller et al.	
D246,289	S	11/1977	Boucher	
D248,621	S	7/1978	Hay et al.	
D288,395	S	2/1987	Ritman	
D356,256	S *	3/1995	Romanoff	D3/282
5,641,065	A	6/1997	Owens et al.	
D418,749	S	1/2000	Chang	
6,305,546	B1	10/2001	Saunders et al.	
6,364,152	B1	4/2002	Poslinski et al.	
D462,880	S *	9/2002	Maxwell	D7/629
D479,673	S	9/2003	Kim	
D483,622	S	12/2003	Kim	
D484,367	S	12/2003	Kim	
D495,249	S *	8/2004	Martinson	D9/418
6,779,681	B2	8/2004	Doerfler et al.	
6,789,692	B2	9/2004	Prezelin	
6,793,096	B1	9/2004	Seok	
D500,227	S	12/2004	Seok	
D501,754	S *	2/2005	Munson	D7/392.1
D505,840	S	6/2005	Schultz et al.	
D514,811	S *	2/2006	Koo	D3/323
D517,311	S	3/2006	Kim	
7,090,089	B2	8/2006	Lown et al.	
D540,624	S	4/2007	Wasserman et al.	
D544,762	S *	6/2007	Zimmerman	D7/601
D553,444	S	10/2007	de Groote et al.	
D562,083	S	2/2008	Lown et al.	
D566,484	S	4/2008	George	
D569,243	S	5/2008	Kidd et al.	
D593,369	S	6/2009	Green et al.	
D598,740	S	8/2009	Auer et al.	
D615,821	S	5/2010	Stamper	
D642,868	S	8/2011	Shah	
D643,629	S *	8/2011	Sofy	D3/302
D644,068	S	8/2011	Usrey	
D651,477	S	1/2012	Nie	
D653,915	S *	2/2012	George	D7/629
D660,092	S	5/2012	Kyung	
D660,095	S	5/2012	Kyung	
D673,807	S *	1/2013	Grider	D7/391
D675,057	S *	1/2013	Harvey	D7/391
D677,568	S *	3/2013	Sina	D7/392.1
D682,052	S	5/2013	Thomas	
8,534,492	B2	9/2013	Smyers et al.	
D692,281	S *	10/2013	George	D7/629
D696,075	S	12/2013	Mashike	
D697,760	S	1/2014	Uchida	
D697,761	S	1/2014	Uchida	
D697,764	S	1/2014	Carlson	
D698,609	S	2/2014	Duvigneau	
D700,480	S	3/2014	Yessin et al.	
D701,044	S *	3/2014	Kishimoto	D3/272
8,662,334	B2	3/2014	Turvey et al.	

8,678,230	B2	3/2014	Smyers	
8,733,550	B2	5/2014	Harvey et al.	
D708,015	S	7/2014	Carlson	
D708,913	S *	7/2014	Ng	D7/629
D717,119	S	11/2014	Carlson	
D722,832	S	2/2015	Ra	
D730,699	S	6/2015	Mok	
D733,503	S	7/2015	Bagley	
D736,569	S	8/2015	Bronwasser et al.	
9,114,909	B2 *	8/2015	Wagner	B65D 21/0233
D738,623	S *	9/2015	Wood	D3/302
D743,751	S	11/2015	Stokke et al.	
D751,349	S	3/2016	Carlson	
D753,446	S	4/2016	Hwang	
D758,805	S *	6/2016	Myoung	D7/629
D763,629	S *	8/2016	Swartz	D7/629
D777,530	S	1/2017	Marret	
D780,534	S	3/2017	Oliver	
D790,337	S *	6/2017	Sofy	D3/232
D796,266	S *	9/2017	Croft	D7/538
D803,631	S *	11/2017	Min	D7/605
2002/0148846	A1	10/2002	Luburic	
2004/0084464	A1 *	5/2004	Koo	B65D 43/0218 220/784
2004/0232026	A1	11/2004	Goeking et al.	
2005/0006390	A1	1/2005	Wang	
2005/0035125	A1	2/2005	Bae	
2006/0027588	A1	2/2006	Mackovic-Basic et al.	
2011/0174819	A1 *	7/2011	Murphy	B65D 43/0254 220/270
2012/0267369	A1	10/2012	Duvigneau	
2013/0233854	A1 *	9/2013	Smyers	B65D 53/00 220/240
2013/0234406	A1 *	9/2013	Harvey	B65D 53/02 277/645
2013/0320015	A1 *	12/2013	Dyble	B65D 43/0266 220/276
2013/0341327	A1 *	12/2013	Bontrager	B65D 43/0252 220/214
2014/0042167	A1 *	2/2014	Lindsay	A47J 36/10 220/361
2014/0103033	A1	4/2014	Beckman	
2014/0138376	A1 *	5/2014	Cheung	H05B 6/6408 219/735
2014/0224799	A1 *	8/2014	Iwasaki	A45C 11/20 220/254.4
2016/0236837	A1 *	8/2016	Malcolm	B65B 51/10
2016/0332785	A1 *	11/2016	Sexton	B65D 45/20

OTHER PUBLICATIONS

Pyrex No Leak Rectangular Lid: Announced Jul. 3, 2015 [online]. Site Visited [Mar. 3, 2018]. Available from Internet URL: <http://www.sears.com/pyrex-no-leak-lid-rectangular-storage-container/p-00860355000P>.*

Rubbermaid Brilliance Food Storage Container: Announced Nov. 4, 2016 [online]. Site Visited [Mar. 11, 2018]. Available from Internet URL: https://www.amazon.com/Rubbermaid-Brilliance-Storage-Container-22-Piece/dp/B01M11GPQF/ref=cm_cr_arp_d_product_top?ie=UTF8.*

Rubbermaid Brilliance Food Storage Container: Announced Sep. 9, 2016 [online]. Site Visited [Mar. 11, 2018]. https://www.amazon.com/Rubbermaid-Brilliance-Container-10-Piece-Leak-Proof/product-reviews/B01JCNEIC6/ref=cm_cr_getr_d_paging_btm_95?ie=UTF8&reviewerType=all_reviews&pageNumber=95.*

Pyrex No Leak Lid Rectangular Storage Container. Advertisement [online]. Sears Holding Corporation, 2016 [retrieved on Apr. 27, 2016]. Retrieved from the Internet: <URL: <http://www.sears.com/pyrex-no-leak-lid-rectangular-storage-container/p-00860355000P>.

* cited by examiner

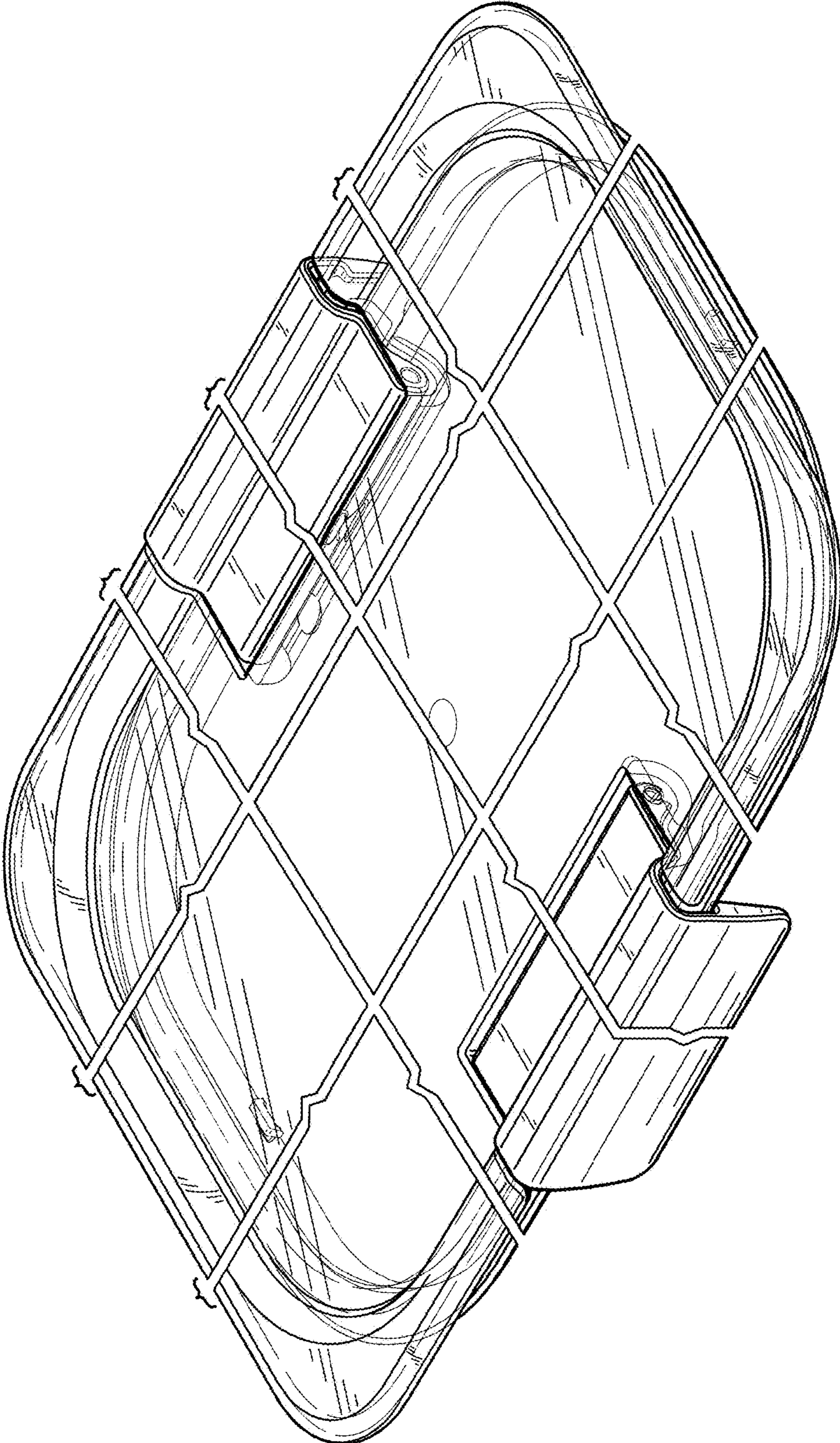


FIG. 1

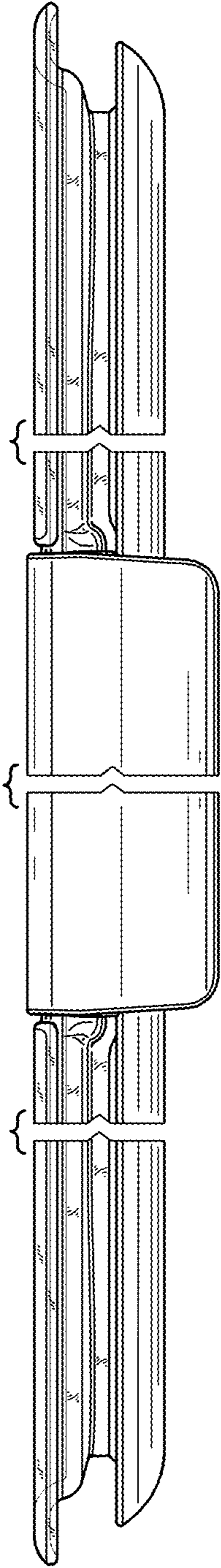


FIG. 2

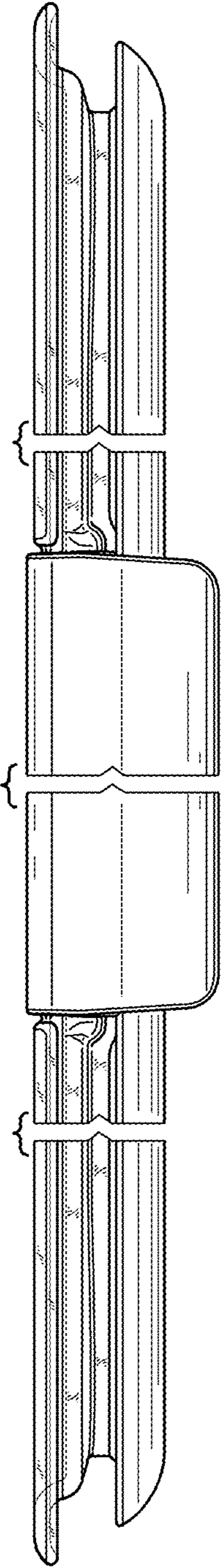


FIG. 3

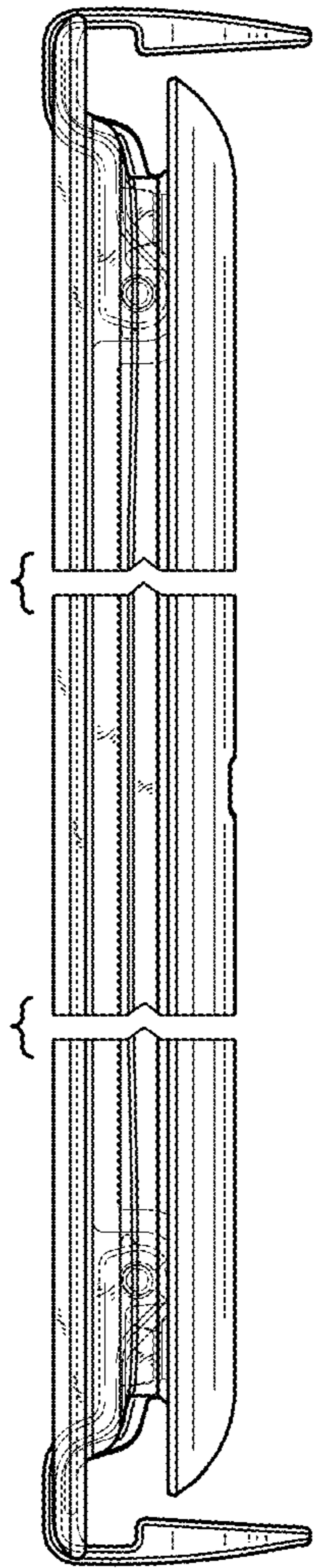


FIG. 4

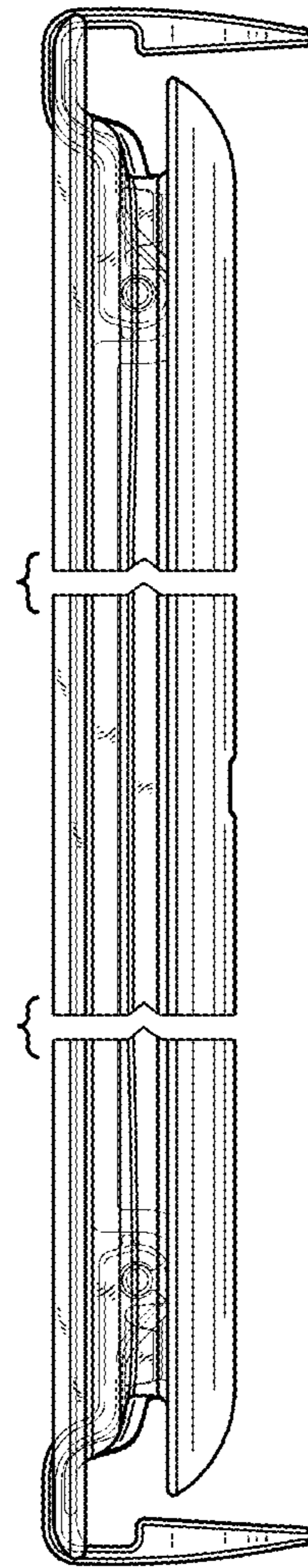


FIG. 5

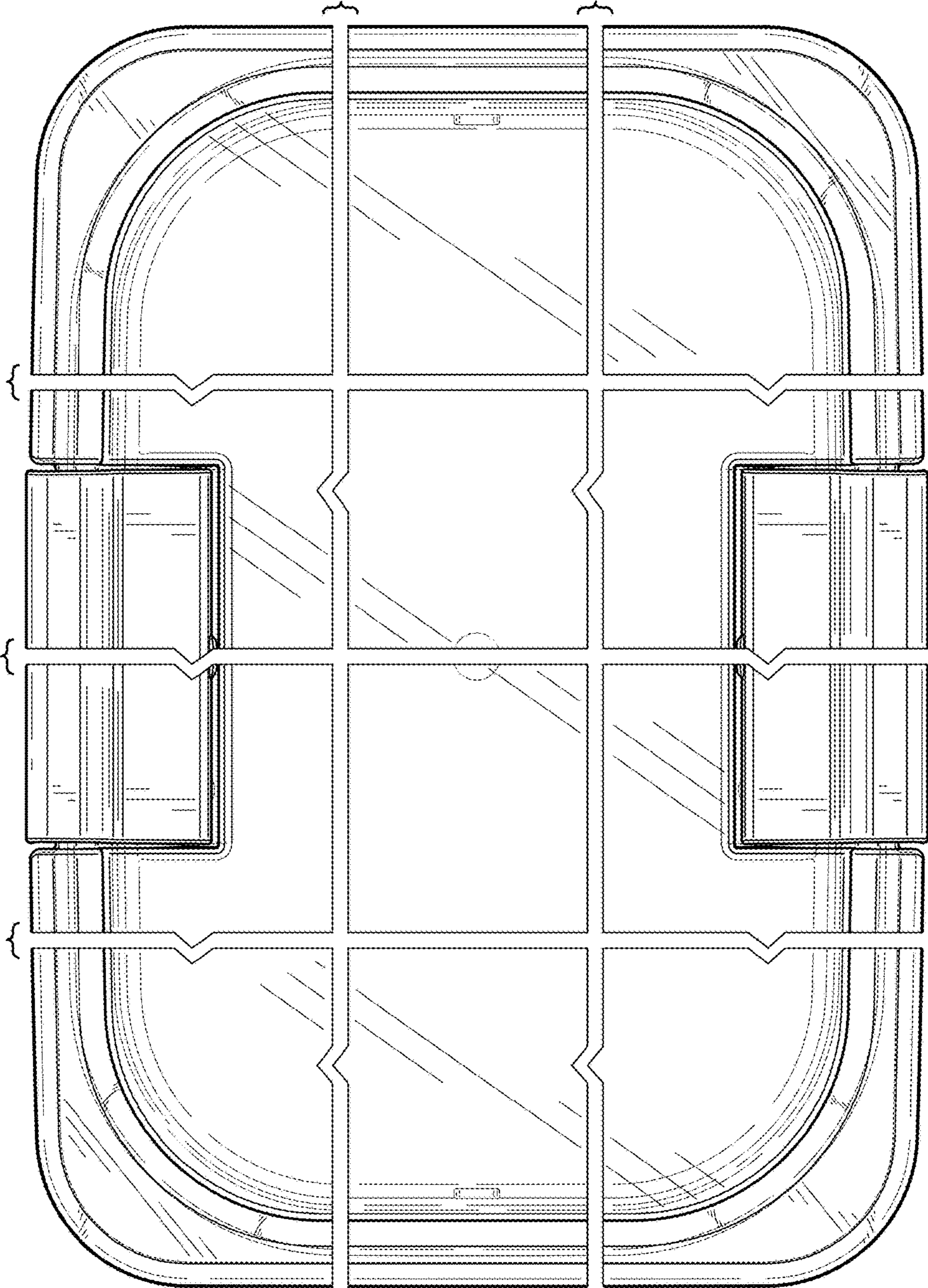


FIG. 6

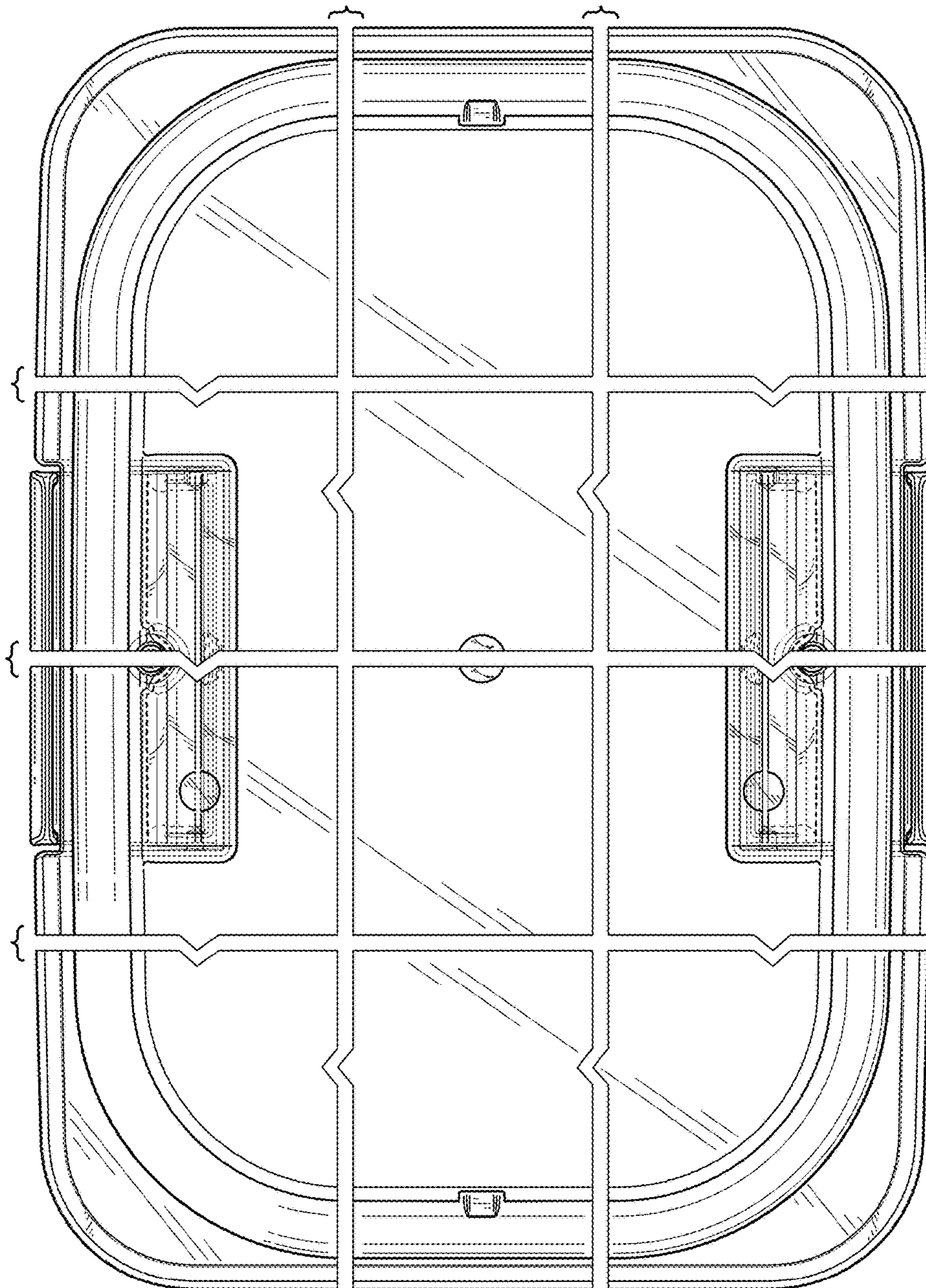


FIG. 7